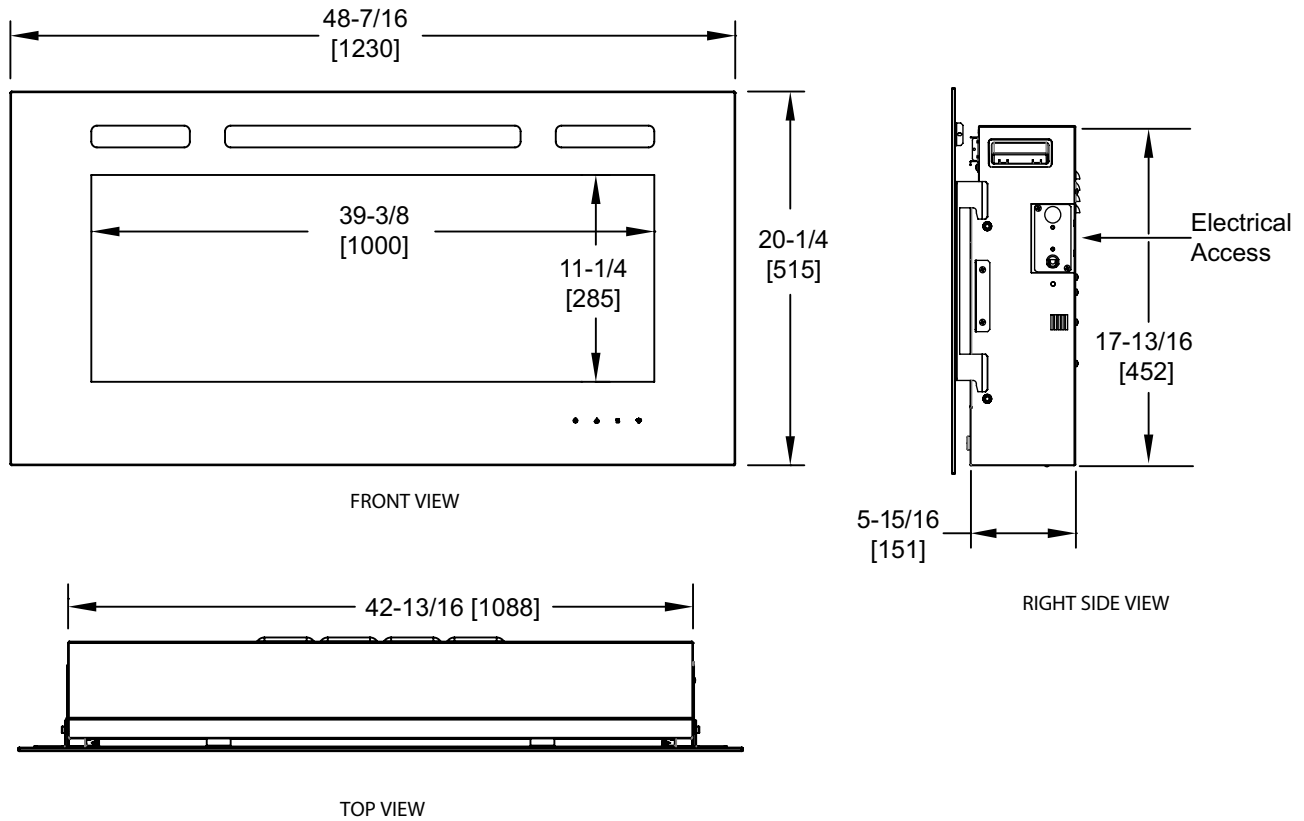




Please consult the manufacturer's installation manual for all details and requirements before making a final design layout decision.

Allusion 48" Recessed Linear Electric Fireplace

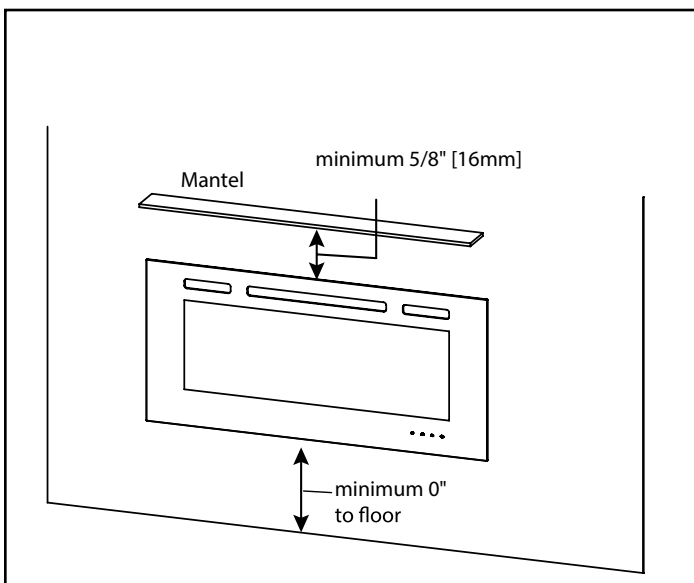
| MODEL | FRONT WIDTH | | BACK WIDTH | | FRONT HEIGHT | | BACK HEIGHT | | DEPTH | | VIEWING AREA |
|--------------|--------------------|--------------------|---------------------|--------------------|------------------|------------------|--------------------|------------------|-------------------|------------|-----------------------------------|
| | Actual | Framing | Actual | Framing | Actual | Framing | Actual | Framing | Actual | Framing | |
| SF-ALL-48-BK | 48-7/16" [1230] | 44-5/16" [1126] | 42-13/16" [1088] | 44-5/16" [1126] | 20-1/4" [515] | 18-1/8" [461] | 17-13/16" [452] | 18-1/8" [461] | 5-15/16" [151] | 2x6 or 2x4 | 39-3/8" x 11-1/4" [1000 x 285] |



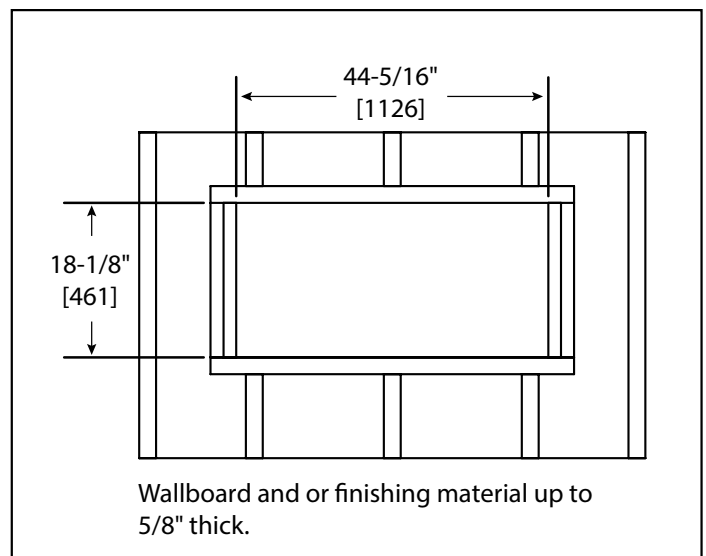
MINIMUM CLEARANCES TO COMBUSTIBLES

| AREA | CLEARANCES |
|---------------|--------------|
| SIDES | 0" |
| FLOOR | 0" |
| TOP TO MANTEL | 5/8" [16 mm] |
| BACK | 0" |
| FRONT | 36" [914] |

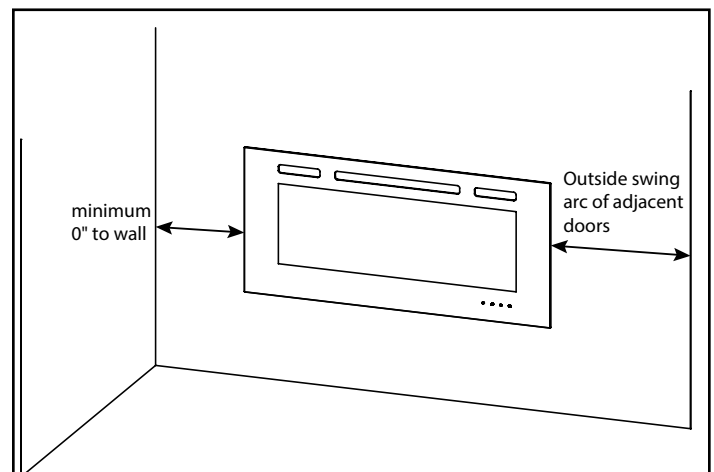
MANTEL PROJECTIONS



FINISHING DIMENSIONS



APPLIANCE LOCATION



| PRODUCT LISTING CODES | |
|-----------------------|----------------------|
| US | CSA 22.2 No 46-M1988 |
| INTERNATIONAL | CSA 22.2 No 46-M1988 |

Product information provided is not complete and is subject to change without notice. Product installation must adhere strictly to instructions accompanying product to avoid risk of fire and potential injury.