

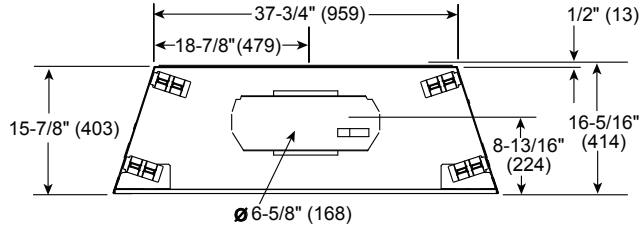
**MAJESTIC**

Please consult the manufacturer's installation manual for all details and requirements before making a final design layout decision.

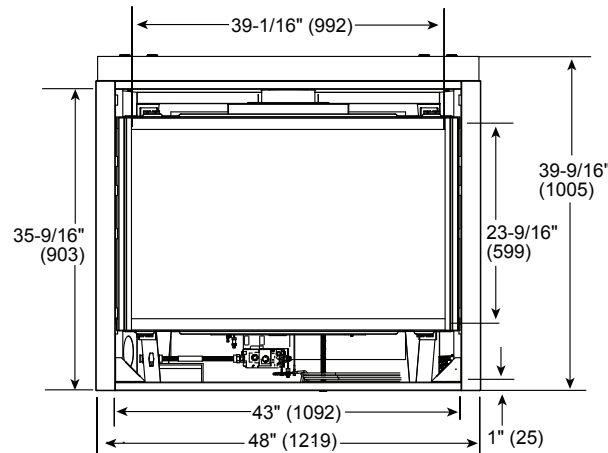
**QUARTZ 42**  
Direct Vent Gas Fireplace

MODEL	FRONT WIDTH		REAR WIDTH		HEIGHT		DEPTH		GLASS SIZE
	ACTUAL	FRAMING	ACTUAL	FRAMING	ACTUAL	FRAMING	ACTUAL	FRAMING	
<b>QUARTZ42</b> 28,500 BTU (NG) 26,000 BTU (LP)	48" [1219mm]	49" [1245mm]	37-3/4" [959mm]	49" [1245mm]	39-9/16" [1005mm]	39-7/8" [1013mm]	16-5/16" [415mm]	16-1/4" [413mm]	39-1/16" X 23-9/16" [992mm] X [599mm]

**TOP VIEW**

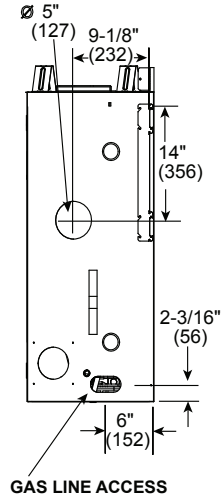


**FRONT VIEW**

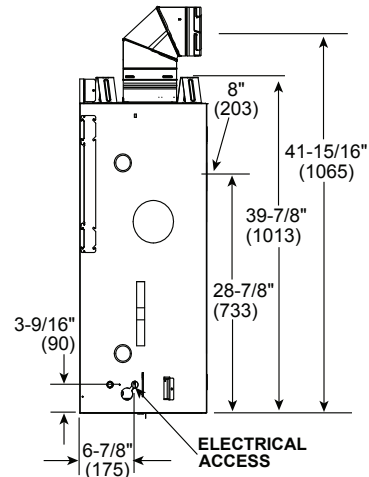


**HEAT-ZONE® ACCESS**

**LEFT SIDE**



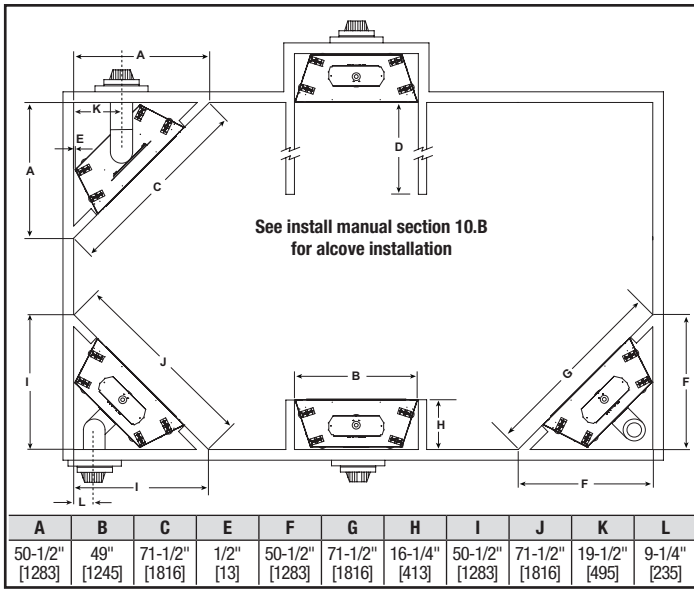
**RIGHT SIDE**



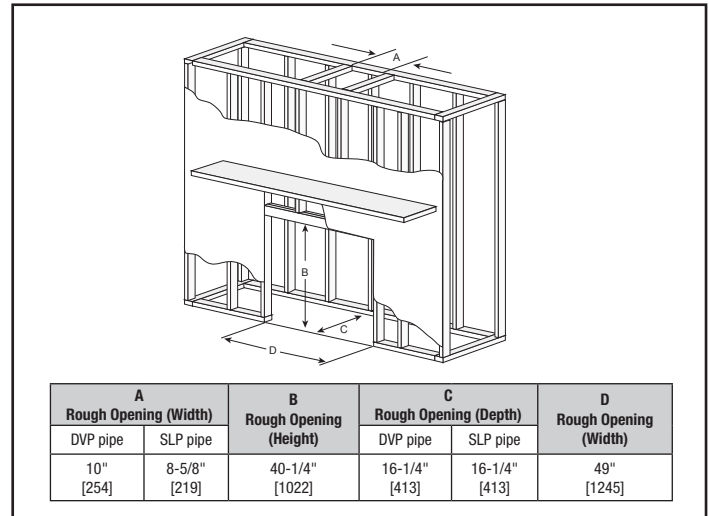
**ELECTRICAL ACCESS**

**GAS LINE ACCESS**

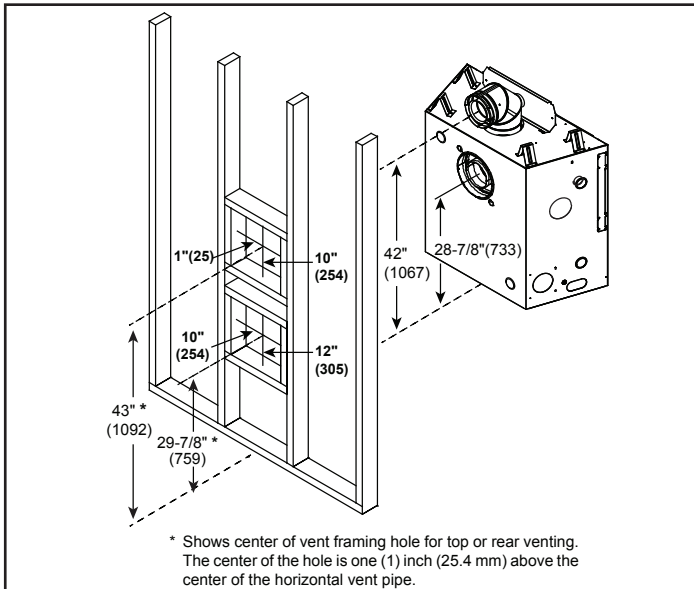
**APPLIANCE LOCATION**



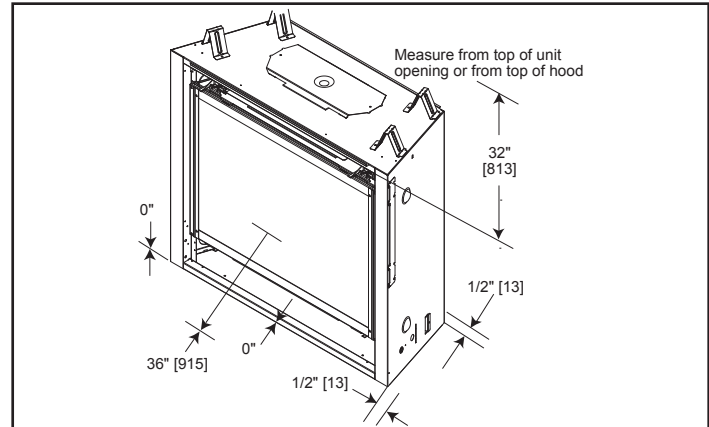
**FRAMING DIMENSIONS**



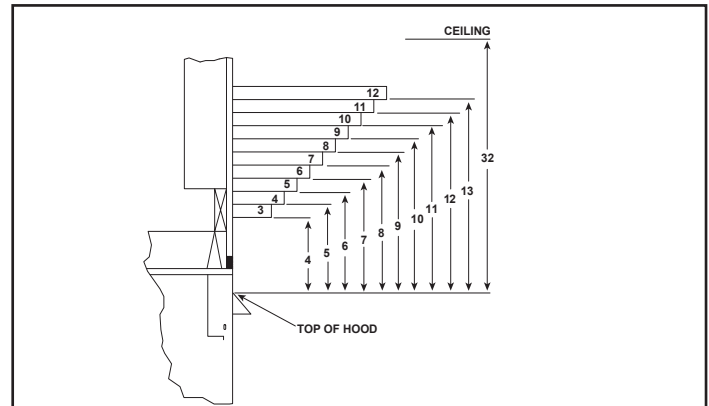
**WALL PENETRATION**



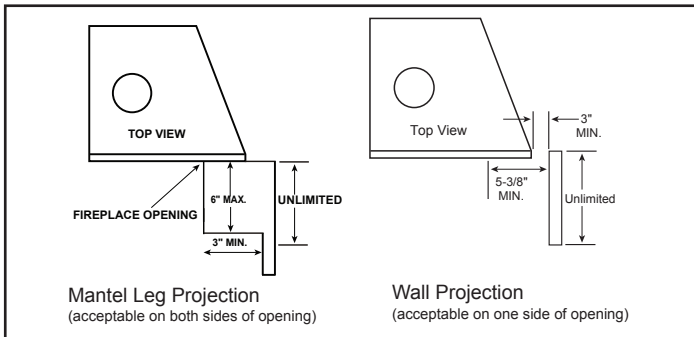
**CLEARANCES TO COMBUSTIBLES**



**MANTEL PROJECTIONS**



**MANTEL LEG/WALL PROJECTIONS**



**PRODUCT LISTING CODES**

US	ANSI Z21.88-2016
CAN	CSA 2.33-2016

Product information provided is not complete and is subject to change without notice. Product installation must adhere strictly to instructions accompanying product to avoid risk of fire and potential injury.