

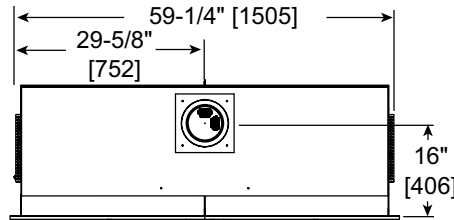
MAJESTIC

Please consult the manufacturer's installation manual for all details and requirements before making a final design layout decision.

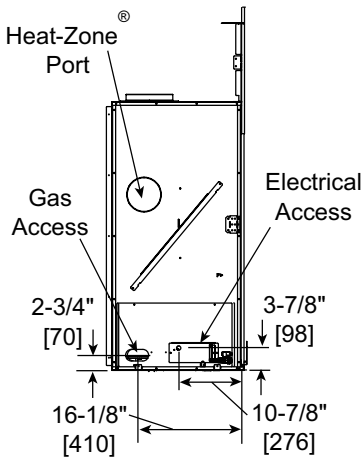
MARQUIS II 36
Direct Vent Gas Fireplace

| MODEL | HEIGHT | | FRONT WIDTH | | BACK WIDTH | | DEPTH | | GLASS SIZE |
|---|-------------------|---------------|---------------|-------------------|-------------------|-------------------|--------------|--------------|-----------------------------------|
| | ACTUAL | FRAMING | ACTUAL | FRAMING | ACTUAL | FRAMING | ACTUAL | FRAMING | |
| MARQ36 44,000 BTU (NG) 43,500 BTU (LP) | 57-5/8" [1464] | 56" [1422] | 61" [1549] | 59-1/2" [1511] | 59-1/4" [1505] | 59-1/2" [1511] | 24" [610] | 24" [610] | 35-7/8" x 31-1/16" [911 X 789] |

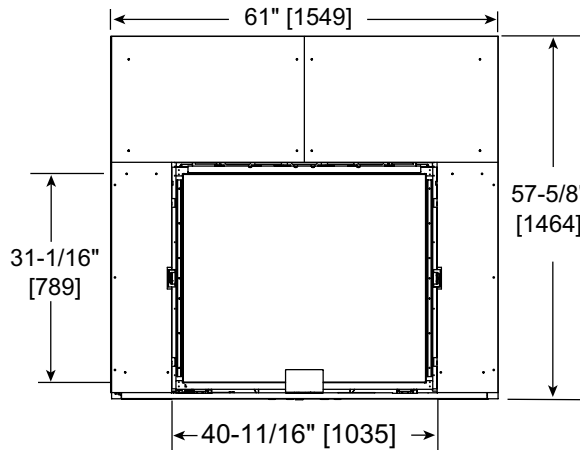
TOP VIEW



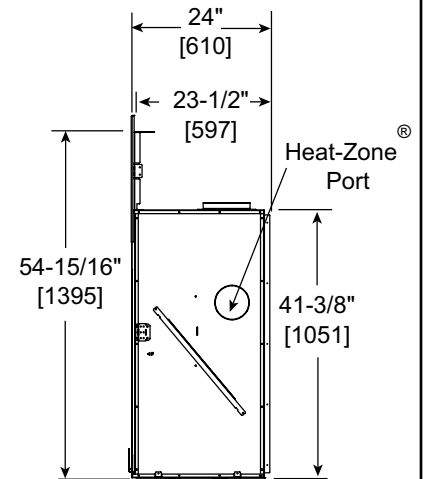
LEFT SIDE



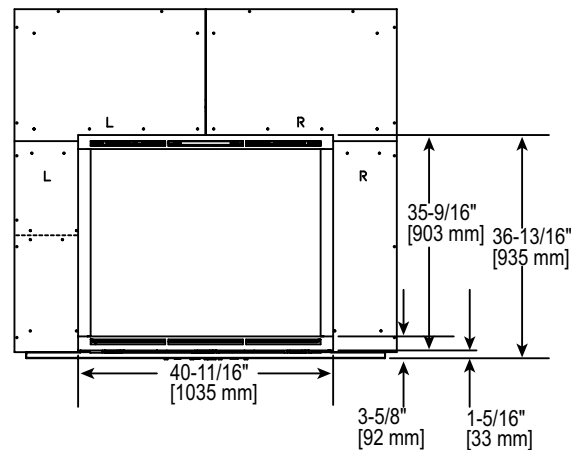
FRONT VIEW



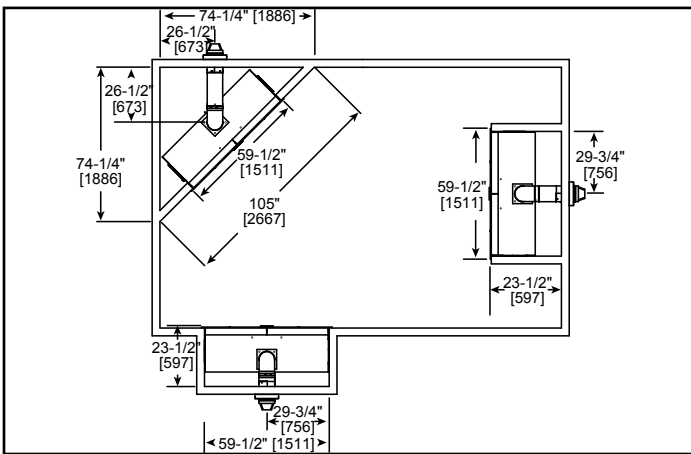
RIGHT SIDE



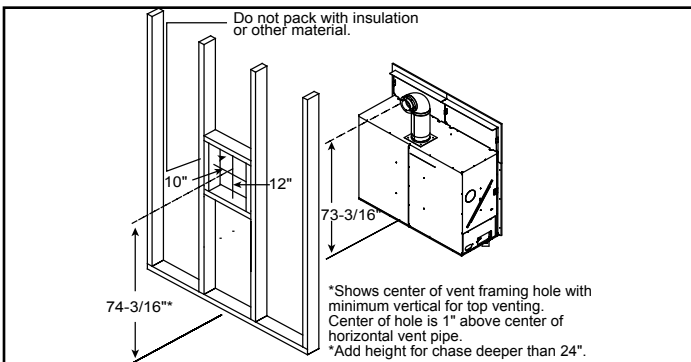
DECORATIVE FRONT



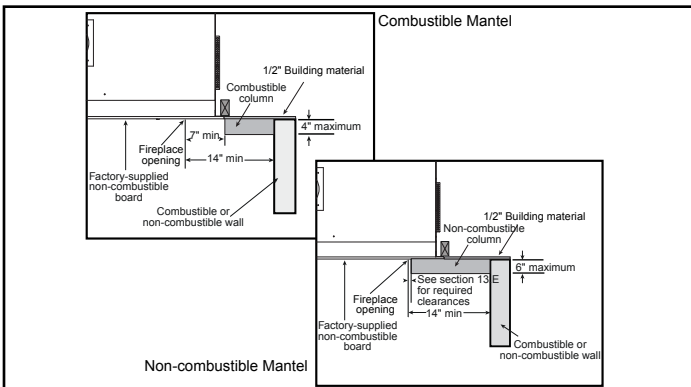
APPLIANCE LOCATION



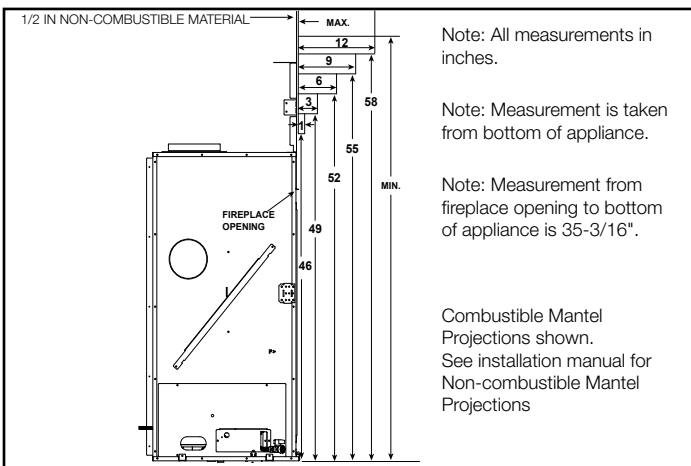
WALL PENETRATION



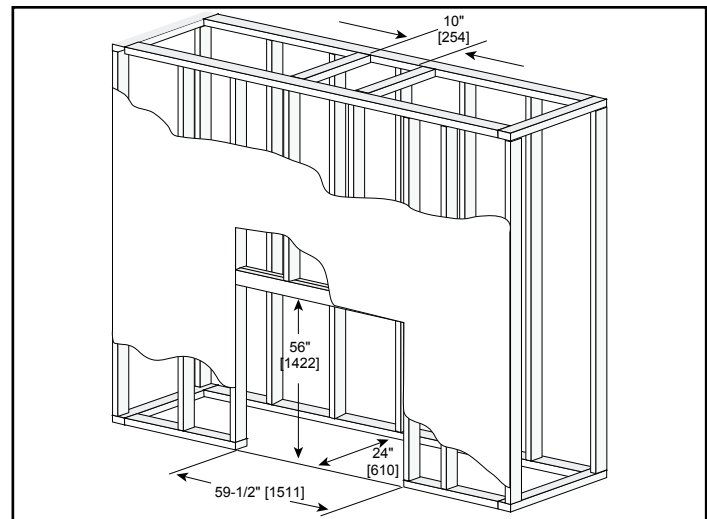
MANTEL LEG/WALL PROJECTIONS



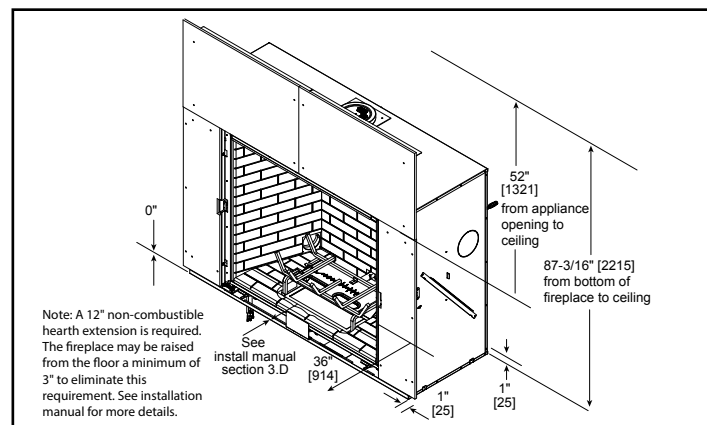
MANTEL PROJECTIONS



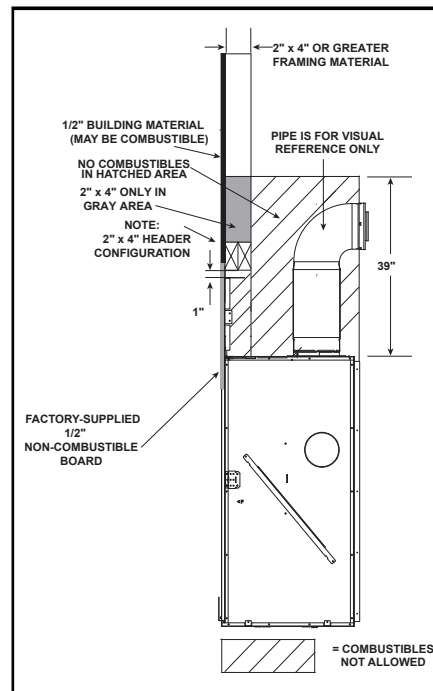
FRAMING DIMENSIONS



CLEARANCES TO COMBUSTIBLES



NON-COMBUSTIBLE ZONE



| PRODUCT LISTING CODES | |
|-----------------------|------------------|
| US | ANSI Z21.88-2017 |
| CAN | CSA 2.33-2017 |
| | UL307B |

Product information provided is not complete and is subject to change without notice. Product installation must adhere strictly to instructions accompanying product to avoid risk of fire and potential injury.