

MAJESTIC

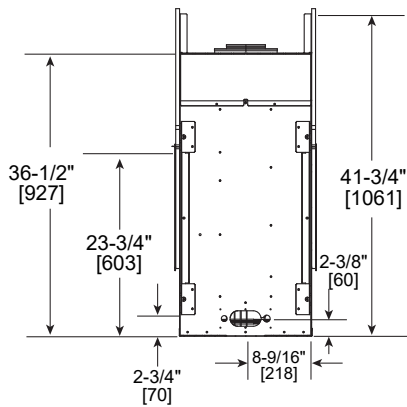
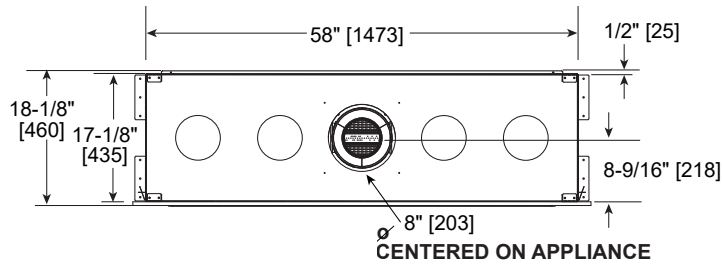
Please consult the manufacturer's installation manual for all details and requirements before making a final design layout decision.

ECHELON II 48 SEE-THROUGH

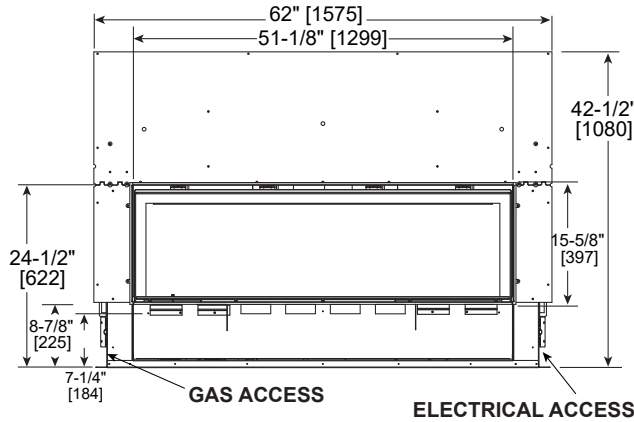
Direct Vent Gas Fireplace

| MODEL | FRONT WIDTH | | BACK WIDTH | | HEIGHT | | DEPTH | | GLASS SIZE |
|--|-------------|---------|------------|---------|---------|---------|---------|---------|-------------------|
| | ACTUAL | FRAMING | ACTUAL | FRAMING | ACTUAL | FRAMING | ACTUAL | FRAMING | |
| ECHEL48ST 40,000 BTU (NG) 34,000 BTU (LP) | 58" | 60-1/4" | 58" | 60-1/4" | 41-3/4" | 42" | 17-1/8" | 17" | 47-1/2" x 12-1/2" |

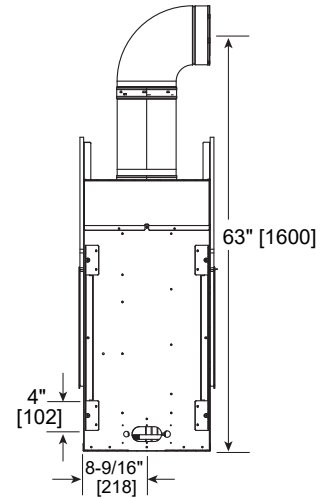
TOP



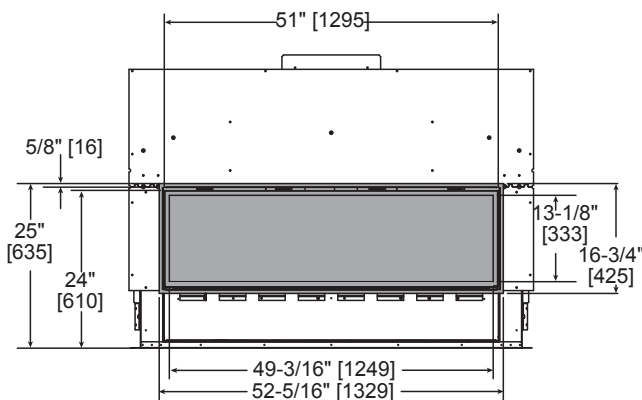
LEFT



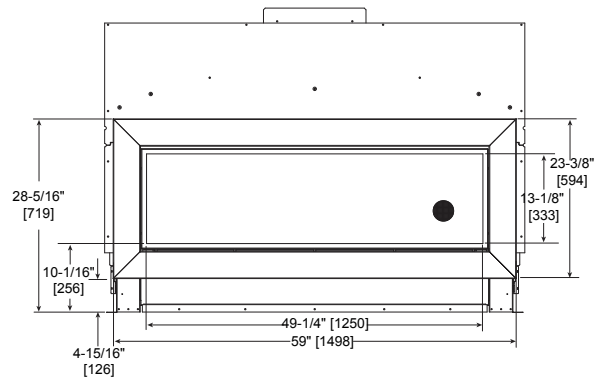
FRONT



RIGHT



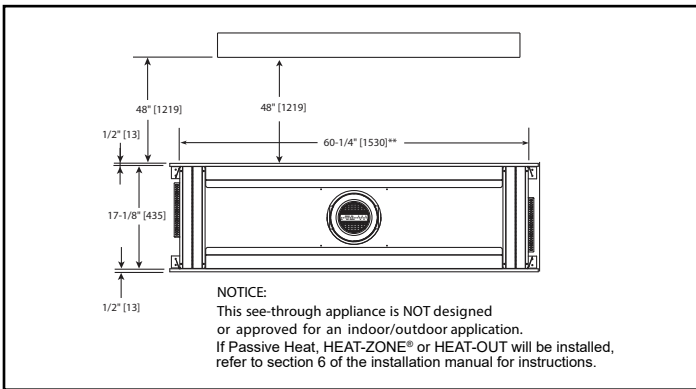
CFT FRONT



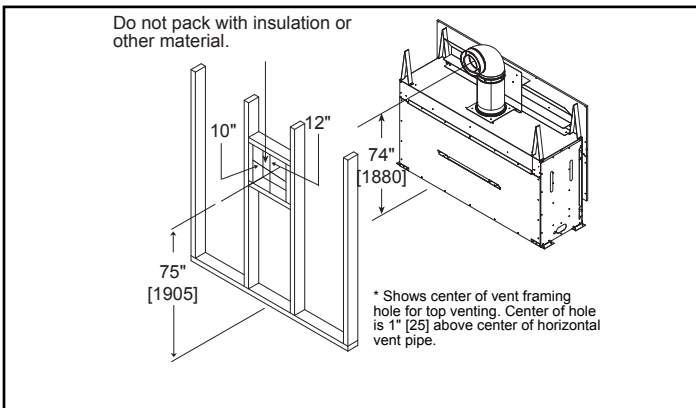
PFF FRONT

The PFF decorative front has an installed depth of 3/4" [19mm], measured from the front of the non-combustible finishing material to the front of the decorative front.

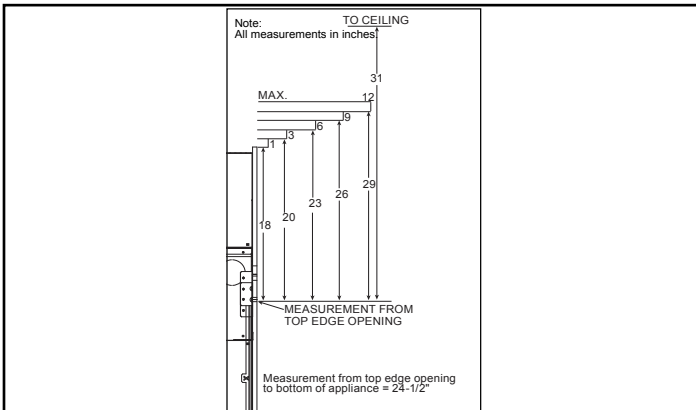
APPLIANCE LOCATION



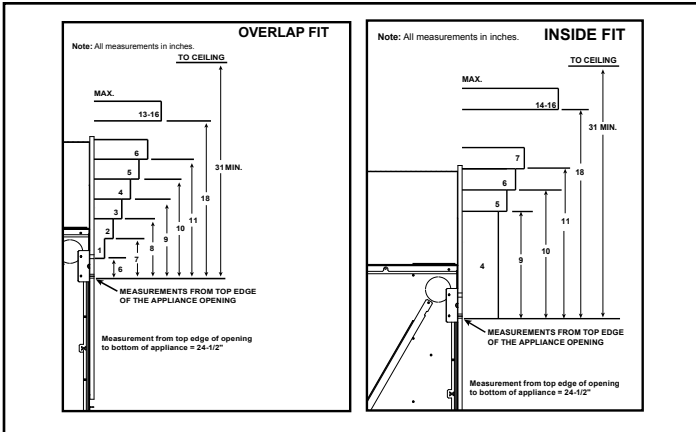
WALL PENETRATION



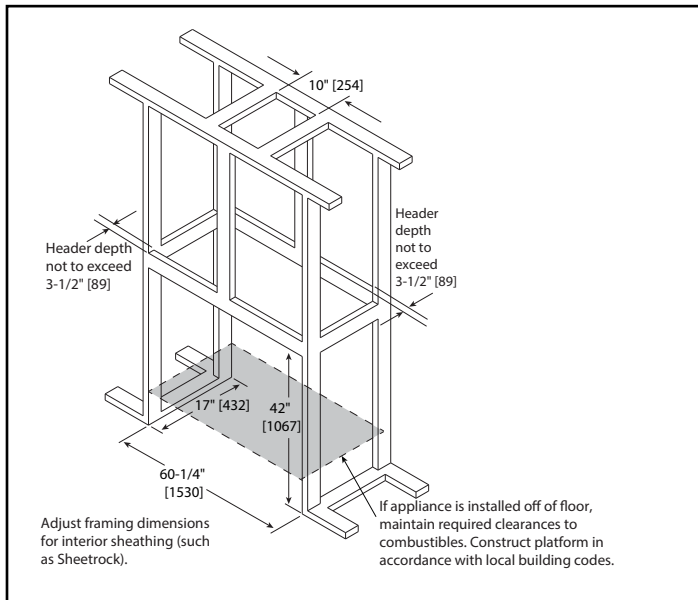
MANTEL PROJECTIONS - COMBUSTIBLE



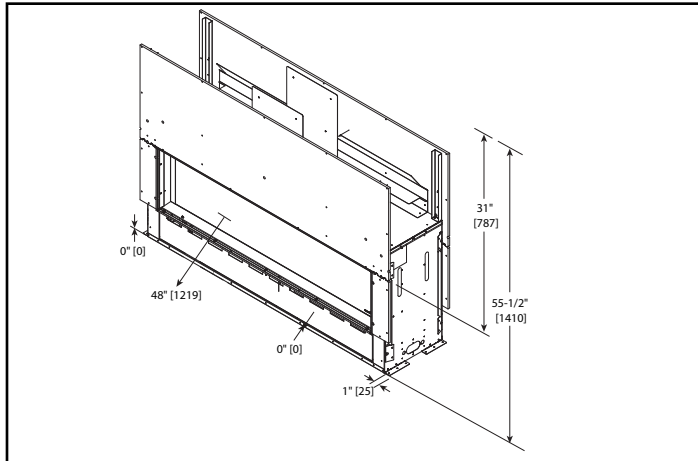
MANTEL PROJECTIONS - NON-COMBUSTIBLE



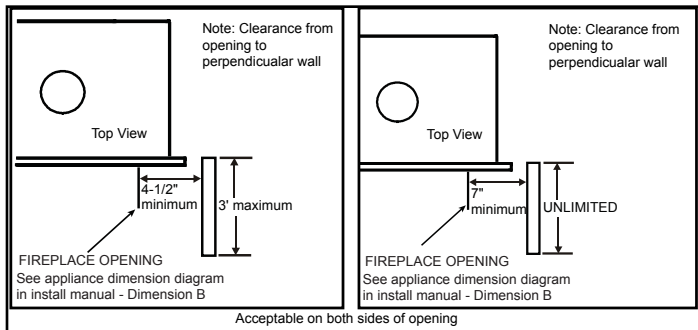
FRAMING DIMENSION



CLEARANCES TO COMBUSTIBLES



MANTEL LEG/WALL PROJECTIONS COMBUSTIBLE OR NON-COMBUSTIBLE



PRODUCT LISTING CODES

| | |
|-----|------------------|
| US | ANSI Z21.88-2017 |
| CAN | CSA 2.33-2017 |
| | UL307B |

Product information provided is not complete and is subject to change without notice. Product installation must adhere strictly to instructions accompanying product to avoid risk of fire and potential injury.