

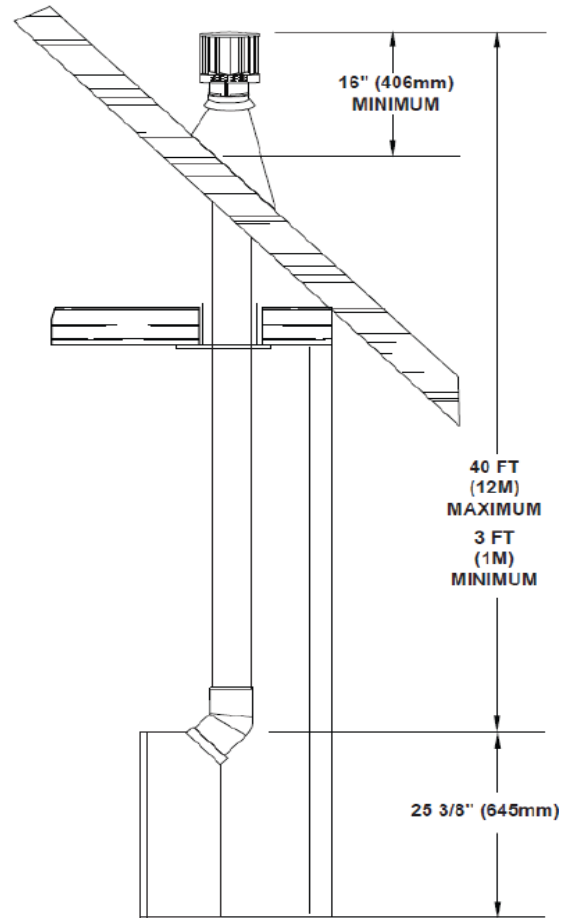
# TDS20N Direct Vent Gas Stove

## FEATURES

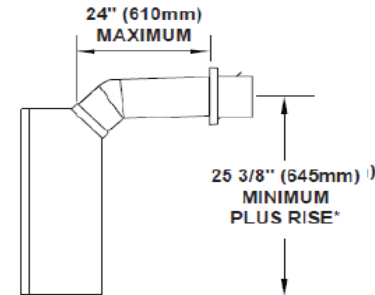
FUEL TYPE	Natural Gas
BLOWER (Must Add 4" to back of the unit)	Optional
GAS VALVE TYPE	Millivolt
LP COVERSION KIT	Yes
GLASS / VIEWING HEIGHT (IN)	13"
GLASS / VIEWING WIDTH (IN)	14"
TOTAL MAX (BTU) NG	20,000
TOTAL MAX (BTU) LP	20,000
WARRANTY	President Limited
FLUE SIZE	Lifetime
GLASS TYPE	4" x 7"
	Ceramic

## EXTERIOR DIMENSIONS AND WEIGHT

WIDTH	19 1/4"
DEPTH	18 1/2"
HEIGHT	25 3/8"
WEIGHT	160. lb.

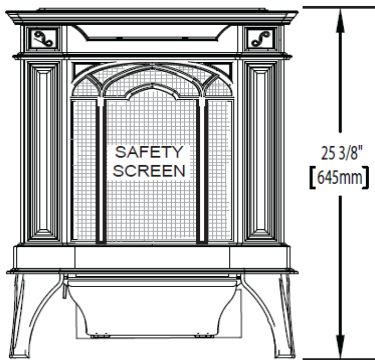


## Typical Venting

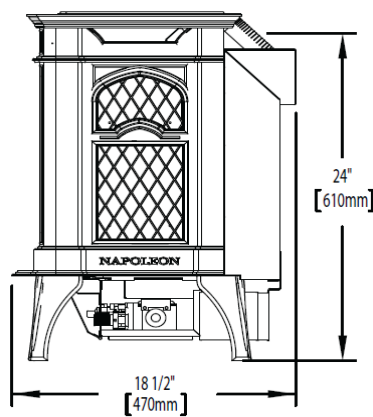


## Unit Dimensions

Front View



Right Side View



Top View

