

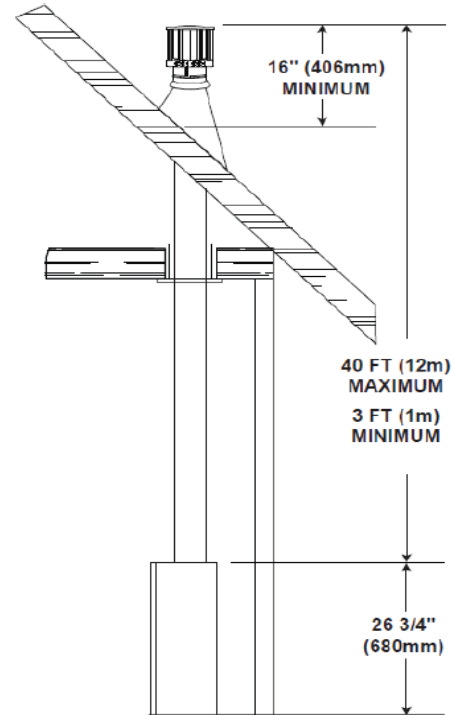
# TDS28N Direct Vent Gas Stove

## FEATURES

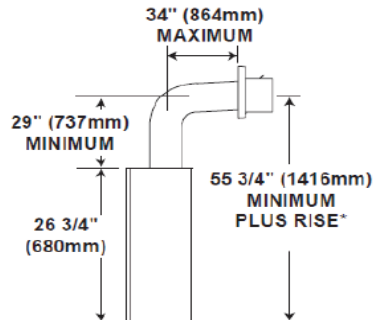
FUEL TYPE	Natural Gas
BLOWER	Included
GAS VALVE TYPE	Millivolt
LP COVERSION KIT	Yes
GLASS / VIEWING HEIGHT (IN)	11 3/8"
GLASS / VIEWING WIDTH (IN)	15"
TOTAL MAX (BTU) NG	30,000
TOTAL MAX (BTU) LP	26,000
WARRANTY	President Limited Lifetime
FLUE SIZE	4" x 7"
GLASS TYPE	Ceramic

## EXTERIOR DIMENSIONS AND WEIGHT

WIDTH	22 1/2"
DEPTH	18 1/2"
HEIGHT	26 3/4"
WEIGHT	142. lb.

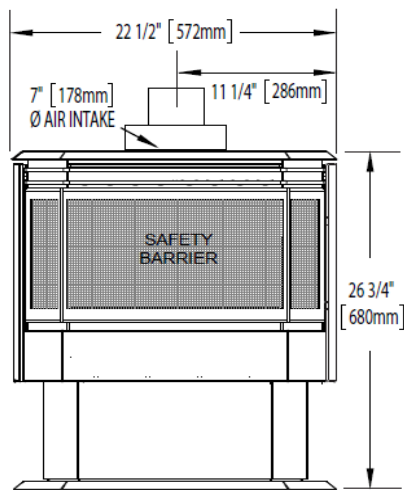


## Typical Venting



## Unit Dimensions

### Front View



### Right Side View

