

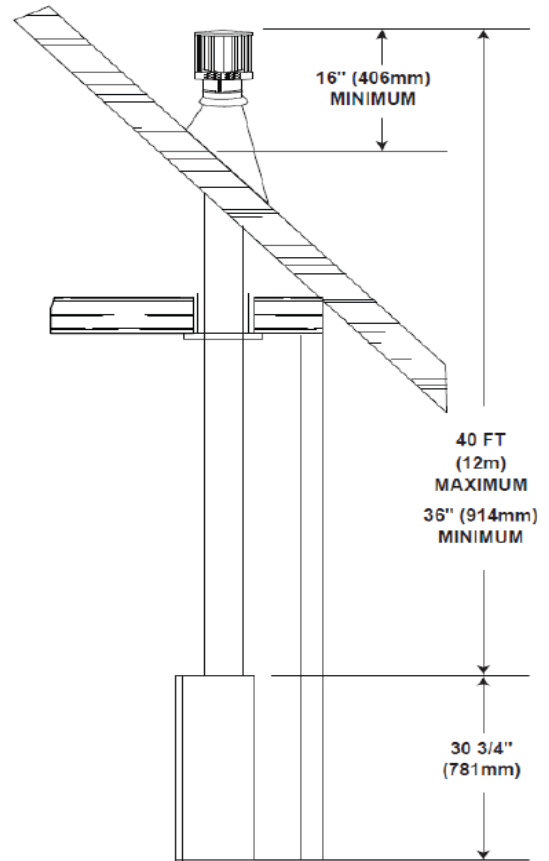
TDS50N Direct Vent Gas Stove

FEATURES

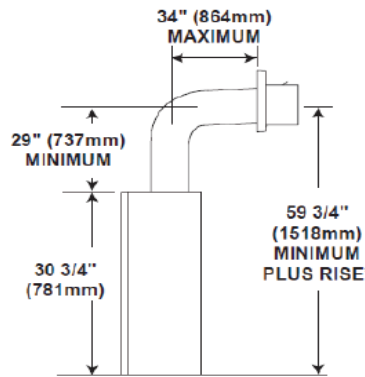
FUEL TYPE	Natural Gas
BLOWER	Included
GAS VALVE TYPE	Millivolt
LP COVERSION KIT	Yes
GLASS / VIEWING HEIGHT (IN)	12 5/8"
GLASS / VIEWING WIDTH (IN)	17 3/8"
TOTAL MAX (BTU) NG	44,000
TOTAL MAX (BTU) LP	40,000
WARRANTY	President Limited
FLUE SIZE	Lifetime
GLASS TYPE	4" x 7"
	Ceramic

EXTERIOR DIMENSIONS AND WEIGHT

WIDTH	28 1/4"
DEPTH	21 5/8"
HEIGHT	30 3/4"
WEIGHT	235. lb.

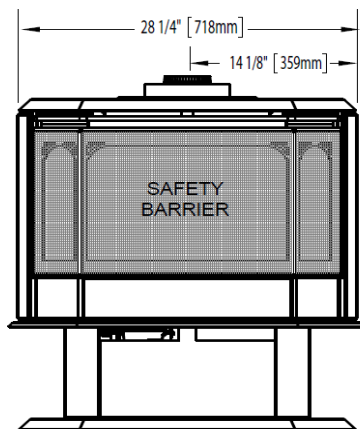


Typical Venting



Unit Dimensions

Front View



Right Side View

