

TI3T-1 & TI3TN-1 Timberwolf Traditional Woodburning Insert

FEATURES

COLOR	Black or Brown
BURN TIME (ON LOW SETTING)	8 hours
COMBUSTION TECHNOLOGY	Non-catalytic
RECOMMENDED HEATING AREA (1)	Up to 1,500 ft ²
HEATING CAPACITY - BTU/h, SEASONED CORD WOOD	55,000 BTU/h
EMISSIONS (EPA)	1.21 g/h
OPTIMUM EFFICIENCY	71.60%
FIREBOX DIMENSIONS (W X D)	20 7/8" x 13 3/4"
FIREBOX VOLUME	1.8 ft ³
GLASS VIEWING AREA (W X H)	25" x 12"
DOOR TYPE	Cast Iron Door
MAXIMUM LOG LENGTH	18"
LOG POSITIONING	Left-right
FLUE COLLAR DIAMETER	6"
GLASS TYPE	Ceramic glass
WARRANTY	Presidents Limited lifetime

EXTERIOR DIMENSIONS AND WEIGHT

WIDTH	42 5/16"
DEPTH	17 5/16"
HEIGHT	21 1/8"
WEIGHT	496 lb.

MINIMUM CLEARANCES (Fig. 1)

A - Sidewall	12"
B - Mantel 12" Projection	16"
C - Top Facing	16"
D - Side Facing	6"
E - Hearth (front)	16"
F - Hearth (side)	8"

MINIMUM APPLIANCE

OPENING (Fig. 2)

G - Width (rear)	23"
H - Width (front)	28"
I - Height (front)	22"
J - Height (rear)	19"
K - Depth	18"
L - Hearth width	20"
M - Hearth width	46"
N - Facing width	54 1/2"
O - Facing width	44 1/2"
P - Mantel	44 1/2"
Q - Height of top surface	28 1/2"
R - Side facing	13 1/4"
S - Hearth (side)	9"
T - Sidewall	13"

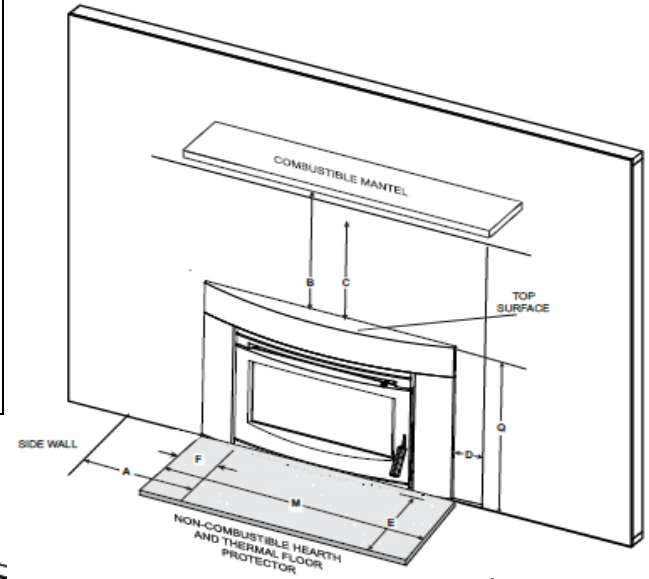


Fig. 1

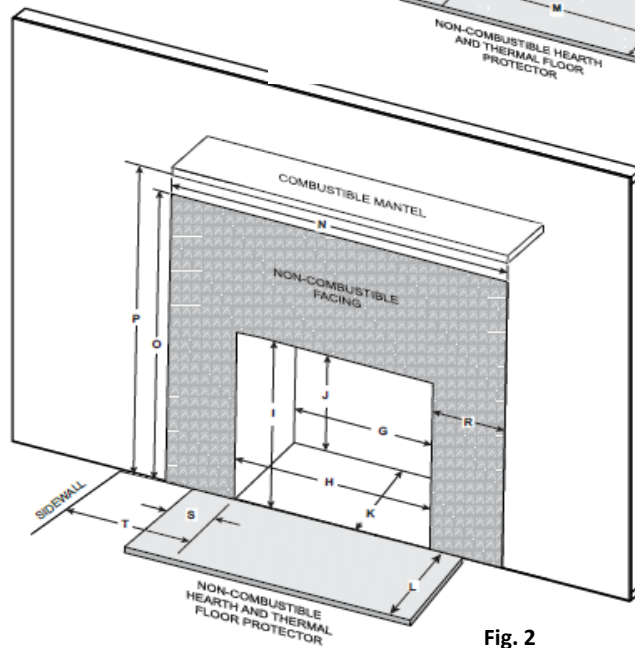
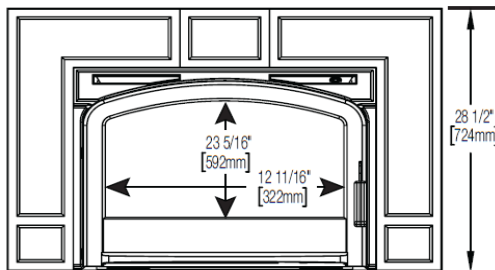


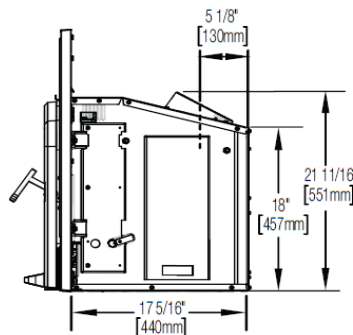
Fig. 2

Unit Dimensions

Front View



Right Side View



Top View

