

T25I Timberwolf Woodburning Insert

FEATURES

COLOR	Black
BURN TIME (ON LOW SETTING)	16.26 hours
COMBUSTION TECHNOLOGY	Non-catalytic
RECOMMENDED HEATING AREA (1)	Up to 2,100 ft ²
HEATING CAPACITY - BTU/h, SEASONED CORD WOOD	70,000 BTU/h
EMISSIONS (EPA)	1.30 g/h
OPTIMUM EFFICIENCY	71.56%
FIREBOX DIMENSIONS (W X D)	23 1/2" x 18"
FIREBOX VOLUME	2.51 ft ³
GLASS VIEWING AREA (W X H)	18 1/2" x 10 7/8"
DOOR TYPE	Cast Iron Door
MAXIMUM LOG LENGTH	17" or 23"
LOG POSITIONING	Front-back/Left-right
FLUE COLLAR DIAMETER	6"
GLASS TYPE	Ceramic glass
WARRANTY	Presidents Limited lifetime

EXTERIOR DIMENSIONS AND WEIGHT

WIDTH	28 3/4"
DEPTH	26"
HEIGHT	20 1/8"
WEIGHT	439 lb.

MINIMUM CLEARANCES (Fig. 1)

A - Sidewall	20 1/2"
B - Mantel	30"
C - Top Facing w/ floor protection	6.5"
D - Side Facing	15"
E - Hearth (front)	19"
F - Minimum hearth thickness	16"
G - Hearth (side)	8"
H In front of insert	48"

MINIMUM EXISTING FIREPLACE DIMENSIONS (Fig. 2)

I - Width (rear)	29"
J - Width (front)	31"
K - Height (front)	23 1/2"
L - Height (rear)	23 1/2"
M - Min. Depth	15 1/2"
N - Hearth width	44 3/4"
O - Min. Facing width w/ SBP25I3348	48"
O - Min. Facing width w/ SBP25I3041	41"
P - Min. Facing Height w/ SBP25I3348	33"
P - Min. Facing Height w/ SBP25I3348	30"
R - Mantle	53 1/2"

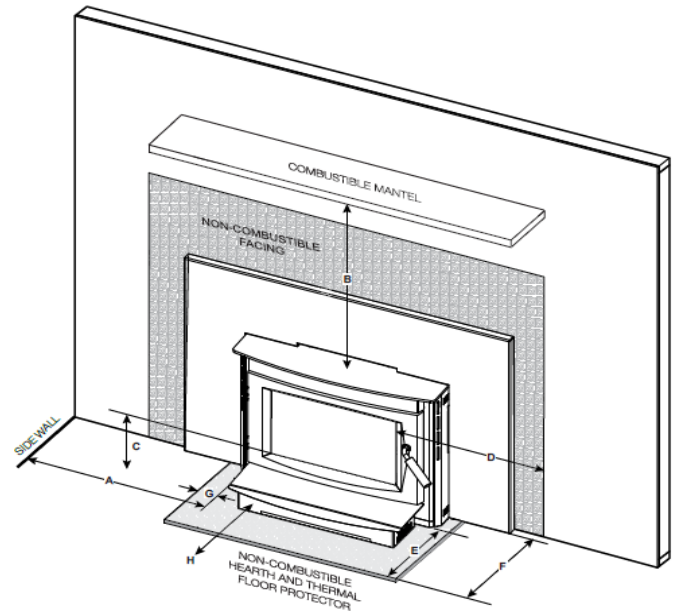


Fig. 1

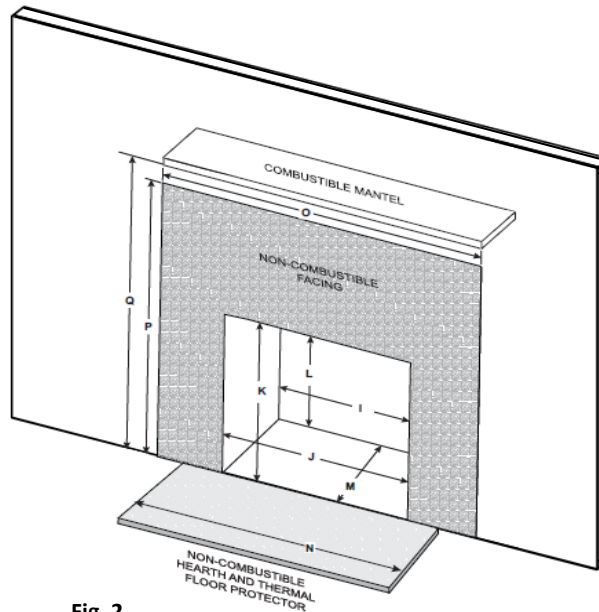


Fig. 2

Unit Dimensions

