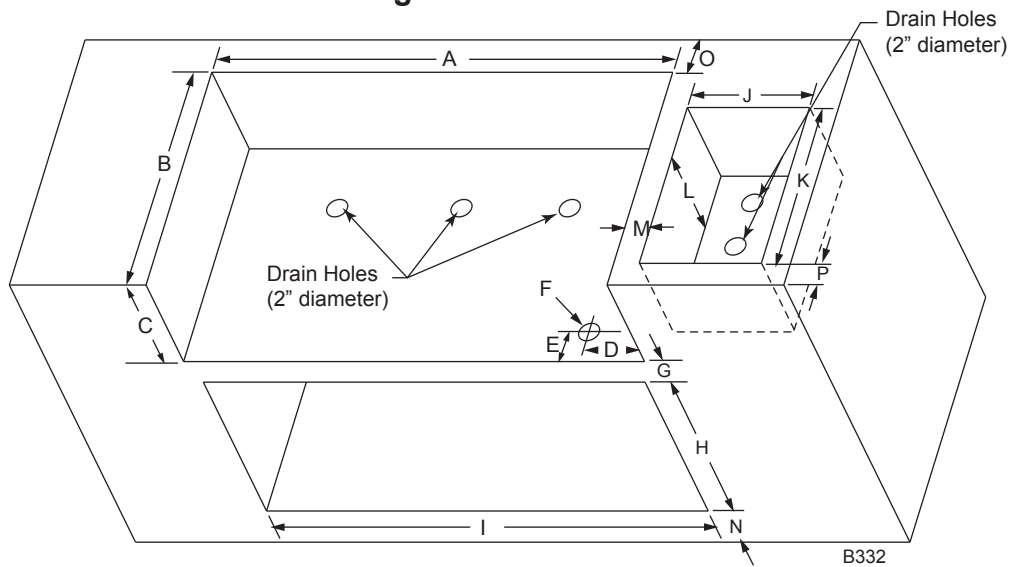


**VCS301SSBI / VCS501SSBI Framing Dimensions
When Using Noncombustible Materials**

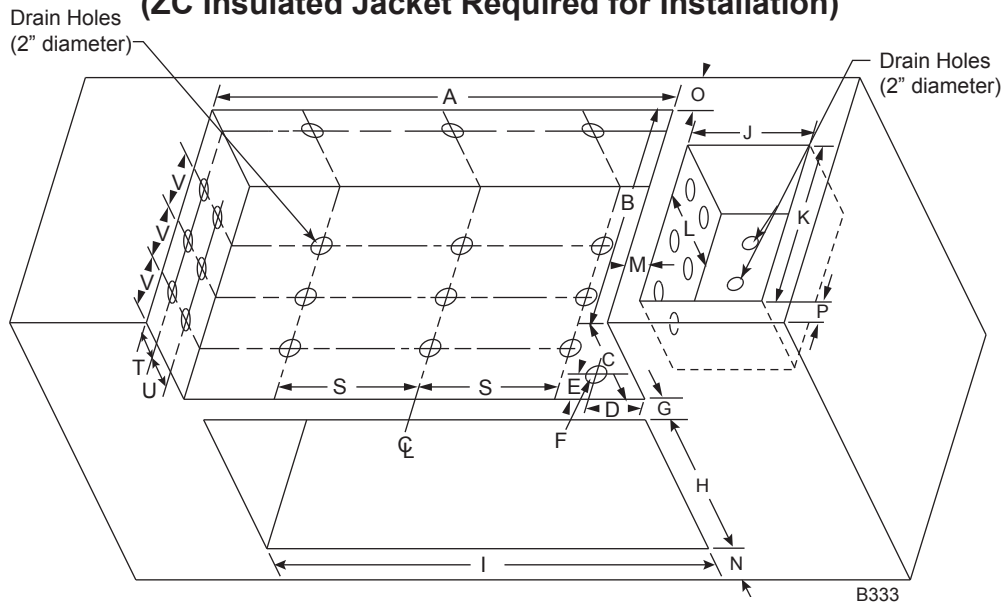


Ref.	VCS301SSBI		VCS501SSBI	
A	31½"	(800 mm)	43½"	(1105 mm)
B	24"	(610 mm)	24"	(610 mm)
C	9⅜"	(239 mm)	9⅜"	(239 mm)
D	3⅛"	(78 mm)	3⅛"	(78 mm)
E	3"	(76 mm)	3"	(76 mm)
F	2"	(51 mm)	2"	(51 mm)
G	4¾"	(120 mm)	4¾"	(120 mm)
H	18¾"	(476 mm)	18¾"	(476 mm)
I	28¾"	(730 mm)	38"	(965 mm)
J	12⅝"	(321 mm)	12⅝"	(321 mm)
K	18¼"	(464 mm)	18¼"	(464 mm)
L	10"	(254 mm)	10"	(254 mm)
M	3½"	(89 mm) Min.	3½"	(89 mm) Min.
N	4"	(102 mm) Min.	4"	(102 mm) Min.
O	4"	(102 mm) Min.	4"	(102 mm) Min.
P	2½"	(64 mm) Min.	2½"	(64 mm) Min.

NOTE: This grill is designed to be supported by the fascia brackets provided. A base is not required to support the weight. If a base is constructed, it is recommended to drill drain holes.

CAUTION: Some parts may have sharp edges; to avoid injury, wearing gloves during assembly, lifting or moving the grill is recommended.

**VCS301SSBI / VCS501SSBI Framing Dimensions
When Using Combustible Materials
(ZC Insulated Jacket Required for Installation)**



Ref.	VCS301SSBI	VCS501SSBI
A	33 ⁵ / ₁₆ " (846 mm)	45 ⁵ / ₁₆ " (1153 mm)
B	24 ⁵ / ₈ " (626 mm)	24 ⁵ / ₈ " (626 mm)
C	11 ¹ / ₈ " (283 mm)	11 ¹ / ₈ " (283 mm)
D	3 ¹ / ₁₆ " (78 mm)	3 ¹ / ₁₆ " (78 mm)
E	3" (76 mm)	3" (76 mm)
F	2" (51 mm)	2" (51 mm)
G	3" (76 mm)	3" (76 mm)
H	18 ³ / ₄ " (476 mm)	18 ³ / ₄ " (476 mm)
I	28 ³ / ₄ " (730 mm)	38" (965 mm)
J	12 ⁵ / ₈ " (321 mm)	12 ⁵ / ₈ " (321 mm)
K	18 ¹ / ₄ " (464 mm)	18 ¹ / ₄ " (464 mm)
L	10" (254 mm)	10" (254 mm)
M	3 ¹ / ₂ " (89 mm) Min.	3 ¹ / ₂ " (89 mm) Min.
N	4" (102 mm) Min.	4" (102 mm) Min.
O	4" (102 mm) Min.	4" (102 mm) Min.
P	2 ¹ / ₂ " (64 mm) Min.	2 ¹ / ₂ " (64 mm) Min.
S	9 ⁷ / ₈ " (250 mm)	13 ¹³ / ₁₆ " (350 mm)
T	3" (76 mm)	3" (76 mm)
U	4" (102 mm)	4" (102 mm)
V	5 ¹⁵ / ₁₆ " (150 mm)	5 ¹⁵ / ₁₆ " (150 mm)

CAUTION: Some parts may have sharp edges; to avoid injury, wearing gloves during assembly, lifting or moving the grill is recommended.