



# Two Speed Fan Installation Instructions for the Convection Heaters, Seneca and Sequoia

The two-speed fan drives room air through the stove's passages and out into the room as warm air. It mounts on the back of the stove; it can also mount on the right side of Convection Heaters built before spring 1996, and Seneca and Sequoia stoves. The fan is easiest to operate with an optional thermostat, which plugs directly into the fan.

## Installation Precautions

Make sure your stove is completely cool before beginning the installation. Wear gloves and protective eyewear.

## Installation Instructions

1. Locate the two sets of twin air inlet holes on the underside of the bottom plate. (Fig. 1)

Place the inlet air plate covers over the holes, with the raised sides facing the holes. Bolt the covers to the stove bottom with the two 1/4-20 x 3/4" bolts provided, and tighten with a wrench.

### 2. Rear Mounted Fans

Remove the stove's rear heat shield if it has one installed. Remove the fan cover plate from the back of the stove. Large and Extra Large Heaters refer to Figure 2. Small Heater refer to Figure 3.

Save the screws. They will be used to mount the fan.

**Side Mounted Fans** (Seneca, Sequoia, and pre-Spring 1996 Convection Heaters)

Remove the cover plate from the right side of the stove. Save the screws. They will be used to mount the fan.

3. Using the three #10 screws that held the fan cover plate, mount the fan over the hole. On rear-mounted fans on the Large and Extra Large Heaters, the on/off button faces up. On rear-mounted fans on the Small Heater, the on/off button faces the center of the stove. Refer to the illustration for your stove for positioning of the fan. On side-mounted fans, the on/off button should face up.

If you have mounted the fan on the rear, re-attach the stove's rear heat shield if it has one. As you raise the shield into place on Convection Heaters, pass the fan cord through the space cut out to accommodate the fan.

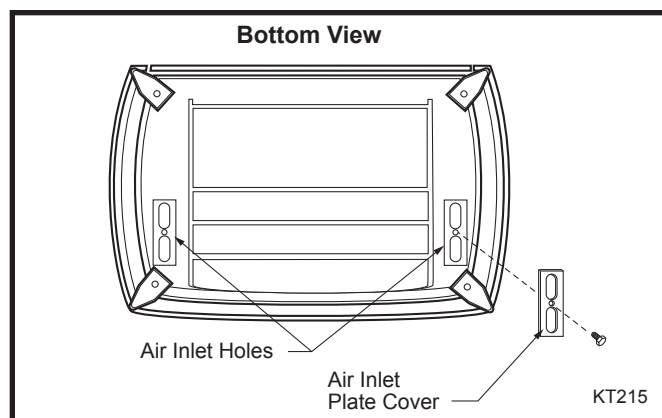


Fig. 1 Place air inlet covers over air inlet holes.

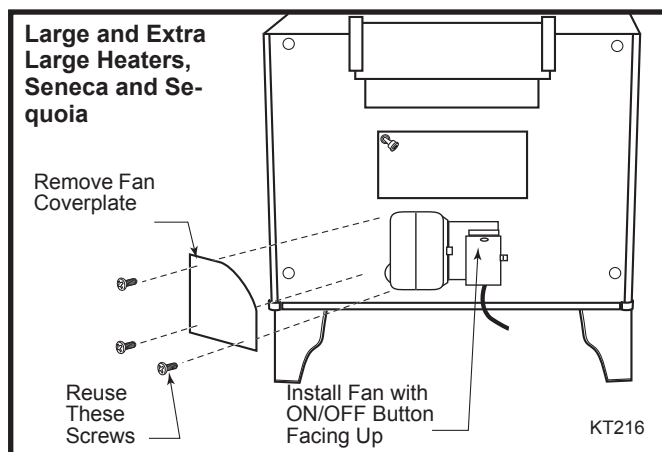


Fig. 2 On large, extra large heaters, Seneca and Sequoia install fan with ON/OFF button facing up.

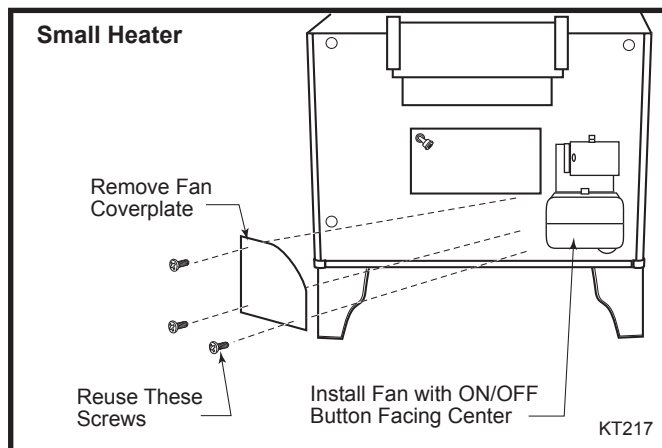


Fig. 3 Install fan on small heaters with ON/OFF button facing center.

**CAUTION:** Keep the cord as far as possible from the hot surfaces of the stove. If there is a power failure, disconnect the cord from the outlet. If the fan fails to operate properly, contact the dealer.

**MHSC**  
149 Cleveland Drive • Paris, Kentucky 40361  
www.mhsc.com