

**PH-SIDETRIM**

**Model: CERONA-IFT Series, COSMO-B Series, RAVE-B Series,  
JADE-B Series, DVLINEAR36, B41L-AU**  
**Passive Heat Trim Kit Installation Instructions**



Leave this manual with party responsible for use and operation.

**CAUTION! Risk of Cuts, Abrasions or Flying Debris.** Wear protective gloves and safety glasses during installation. Sheet metal edges are sharp.

**CAUTION! Do not install damaged components.** If any parts are missing or damaged, contact your dealer before starting installation. **DO NOT** install a damaged kit.

DANGER

**HOT GLASS WILL CAUSE BURNS.**

**DO NOT TOUCH GLASS UNTIL COOLED.**

**NEVER ALLOW CHILDREN TO TOUCH GLASS.**

A barrier designed to reduce the risk of burns from the hot viewing glass is provided with this appliance and shall be installed for the protection of children and other at-risk individuals.

**WARNING! Risk of Overheating! DO NOT** apply wall sheathing past the edge of discharge opening or finishing templates. Remove finishing templates before appliance operation. Overheating of appliance and combustible materials will occur.

**Introduction**

This trim kit is used with the Passive Heat Side Discharge Heat Management System, which conveys warm air from the fireplace into the same room through a side discharge. Installation of the Passive Heat kit must be done in conjunction with the appliance installation. Follow instructions included with the Passive Heat side discharge kit to complete installation of the Passive Heat system. Installation of this kit **MUST** be performed by a qualified service technician.

**WARNING! Risk of Fire! DO NOT** install the Passive Heat system with models that are not approved. Overheating will occur.

**Kit Contents**

Verify and remove contents from packaging before beginning installation.

**Contents of PH-SIDETRIM Kit**

SIDE DISCHARGE KIT (PH-SIDETRIM)		
DESCRIPTION	SERVICE PART NO.	QTY
Register Cover	2560-120	2

**2560-120**  
**12 in. x 8 in. (305 mm x 203 mm) Register Cover (Quantity 2, Includes Screws)**

Figure 1 Passive Heat Side Discharge Trim Kit Components

## Register Cover Installation - Side Discharge

**WARNING! Risk of Overheating!** Both passive heat side discharge registers included with kit **MUST** be installed and be free of any obstructions or blockages. Overheating will occur.

1. Install register cover with louvers facing the front of the fireplace using provided screws. See Figure 2.

**WARNING! Risk of Fire! DO NOT** block passive heat registers! Overheating of appliance and combustible materials will occur.



Figure 2 Correct Register Orientation

**WARNING! Risk of Overheating! DO NOT** apply wall sheathing past the edge of discharge opening or finishing templates. Remove finishing templates before appliance operation. Overheating of appliance and combustible materials will occur.

## Finishing

1. Apply wall sheathing material, such as drywall up to 1/2 in. (13mm) thick up to the edge of the discharge opening.

**WARNING! Risk of Overheating! DO NOT** apply wall sheathing past the edge of discharge opening or finishing templates. Remove finishing templates before appliance operation. Overheating of appliance and combustible materials will occur.

### 2. Facing Material with Side Discharge (PH-SIDETRIM)

1 Inch Thick or Less: When using facing material in this thickness range, the Overlap Fit method may be used. See Figure 3. Place facing materials up to the edge of the discharge opening and install register covers as instructed. Facing must not interfere with the air flow through the trim kit.

Greater than 1 Inch: Non-Combustible facing material in this thickness range must use the Inside Fit method. Place facing materials up to the edge of the register covers. Install register covers as instructed. Consult the appliance Installation Manual to determine maximum facing material thickness.

4. The PH-SIDETRIM kit is required to complete installation. Install trim kit (PH-SIDETRIM) as instructed.
5. See Figure 4 to understand further details and requirements for Passive Heat side discharge kit.

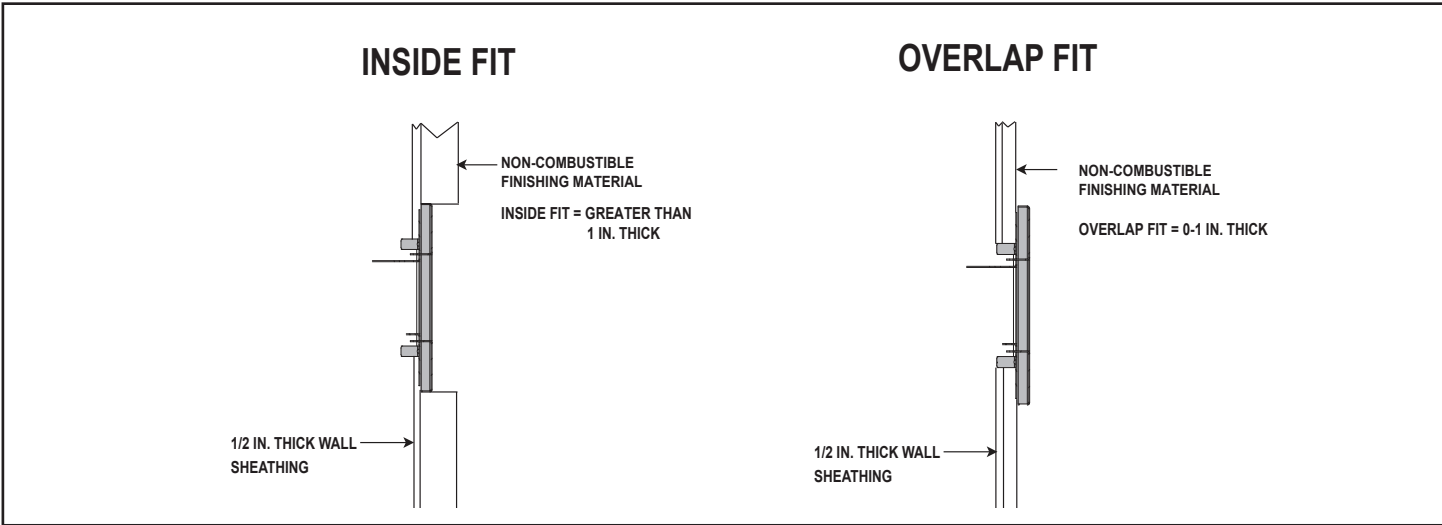


Figure 3 Inside and Overlap Fit Finishing Methods

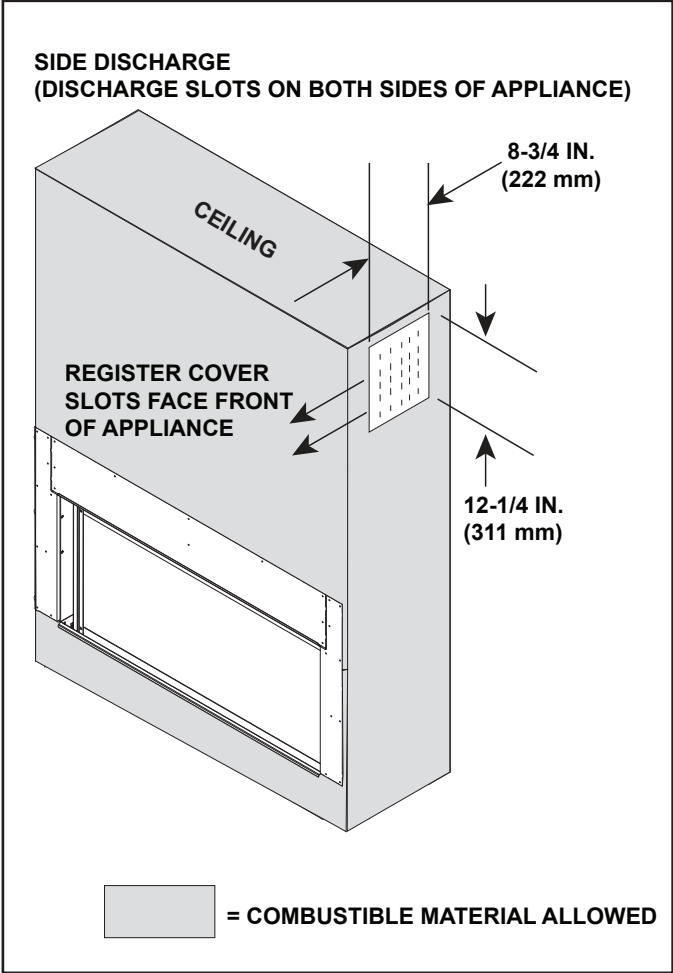


Figure 4 Finishing Material Installed - Side Discharge

## Painting

### Side Discharge:

If desired finishing includes a painted register cover, Hearth & Home Technologies recommends using high temperature paint with a minimum of 300 °F (149 °C) continuous exposure rating.

## Maintenance

Service and maintain the gas fireplace per instructions. Keep the air register(s) clean and free of any blockage.

**NOTICE:** *The location of the Passive Heat discharge opening could allow for venting and other construction materials to be visible. It is acceptable to paint the vent pipe and other construction materials using a high temperature paint with a minimum of 300 °F continuous exposure rating. Hearth & Home Technologies recommends using black touch up paint (part number TUP-GBK-12) available from your Hearth & Home Technologies dealer.*

Please contact your Hearth & Home Technologies dealer with any questions or concerns.  
For the location of your nearest Hearth & Home Technologies dealer, please visit [www.hearthnhome.com](http://www.hearthnhome.com).

Hearth & Home Technologies  
7571 215th Street West, Lakeville, MN 55044  
[www.hearthnhome.com](http://www.hearthnhome.com)