

# Natural Gas to Propane Conversion Instructions

Models: TWILIGHT-II-MOD, TWILIGHT-II-MDC

## Conversion Instructions:

This conversion shall be installed by a qualified service agency.

Any damaged valve components should not be installed. If a valve or regulator has been dropped or appears to have been modified, the valve or regulator should not be installed.

## Conversion Component list:

- Burner Orifice
- Pilot Orifice
- Gas Valve Regulator
- Propane Conversion Plate
- Gas Type Label

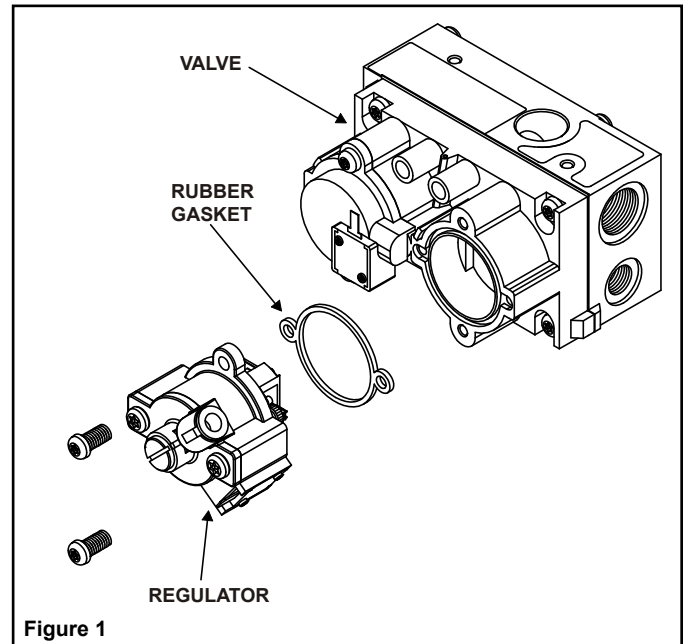
**CAUTION: THE GAS SUPPLY SHALL BE SHUT OFF PRIOR TO DISCONNECTING THE ELECTRICAL POWER BEFORE PROCEEDING WITH THE CONVERSION.**

### WARNING:

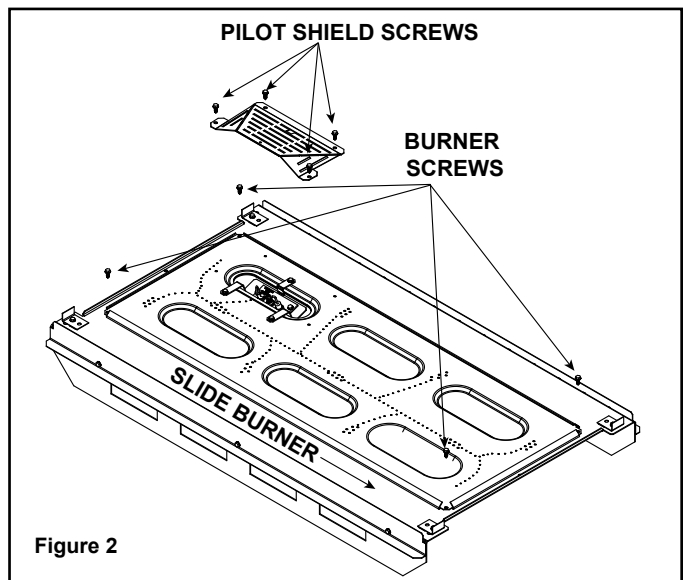
This Conversion kit shall be installed by a qualified service agency in accordance with the manufacturer's instructions and all applicable code and requirements of the authority having jurisdiction. If the information in these instructions is not followed exactly, a fire, explosion or production of carbon monoxide may result causing property damage, personal injury or loss of life. The qualified service agency is responsible for the proper installation of this kit. The installation is not proper and complete until the operation of the converted appliance is checked as specified in the manufacturer's instructions supplied with the kit.

## Procedure for conversion:



1. Turn off power to module and valve.
2. Turn off gas to valve.
3. Remove the media from the appliance.
4. Using a #20 tamper-proof Torx, remove the regulator and rubber gasket on face of valve (see Figure 1). Discard both the regulator and gasket.
5. Install the new regulator with the new rubber gasket included in the conversion kit (see Figure 1).





6. Remove pilot shield as shown in Figure 2. Remove the two screws that secure the pilot to the pilot bracket. Remove three short screws that secure the pilot bracket to the burner. Retain the three short screws for use in reattaching pilot bracket later.
7. Remove the burner from the fireplace by removing the four screws as shown in Figure 2. Slide burner as shown in Figure 2. Lift burner up and out of appliance. Replace the burner orifice with the one provided in the kit.



8. Unscrew the pilot tube fitting on the pilot and replace the orifice spud with the one included in the conversion kit. See Figure 3.
9. Place the round gas type label over the current round gas type label on the bottom base pan. Place the conversion plate adjacent to the existing rating plate.

	<b>WARNING</b> Fire Risk Explosion Risk Gas Leak Risk	
<ul style="list-style-type: none"><li>• Rubber gasket must be seated properly on valve face.</li><li>• Do not install a valve or regulator that has been dropped.</li></ul>		

**NOTE:** The qualified service agency installing this conversion **MUST** enter the day, month, and year, and sign the Propane conversion plate added to this appliance.

	 <b>WARNING</b>
	<p>Shock or burn risk.</p> <ul style="list-style-type: none"> <li>Disconnect green wire from gas valve.</li> </ul> <p>Failure to disconnect green wire could result in severe burns.</p>

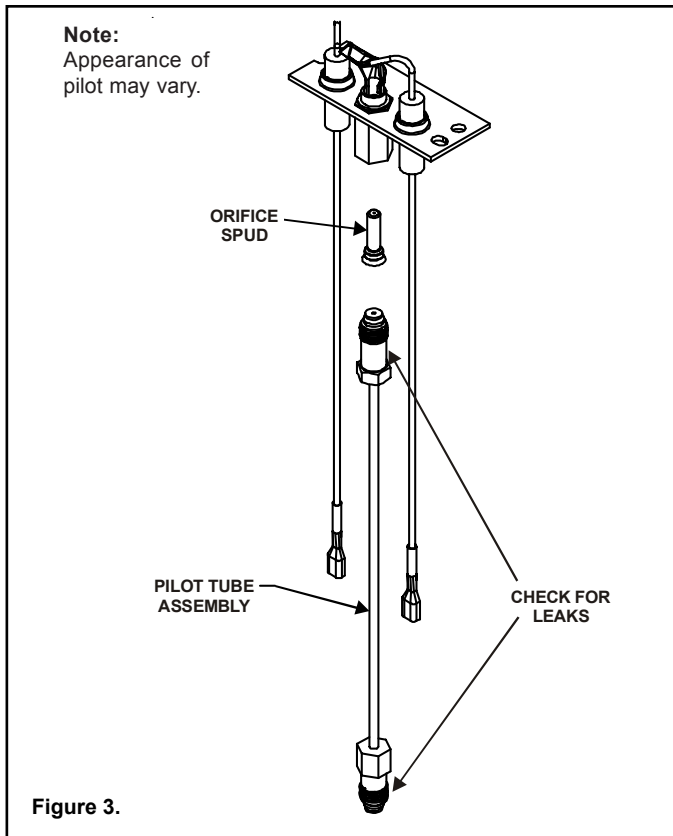


Figure 3.

- Unplug the green wire from valve.
- Turn on power to module and valve.
- Turn on fireplace with the green wire disconnected from the valve. The pilot should ignite.
- Use a commercially available, non-corrosive leak check solution to test for leaks around the pilot. Be sure to rinse off all leak check solution following testing. See Figure 3 for leak check points. Extinguish the pilot.
- Adjust the burner shutter setting to the appropriate position based on gas type. See Table 1.

GAS	GAS TYPE LABEL	PILOT ORIFICE	REGULATOR	SHUTTER
Natural Gas	NG	593-528	NGK-DXF	3/16 in.
Propane	P	593-527	LPK-DXF	Full Open

Table 1.

- Replace the burner assembly securing it with the four screws. See Figure 2.
- Replace pilot bracket by securing it with three short screws. Attach pilot assembly to pilot bracket using the two long screws. Replace pilot shield and attach it with four short screws.
- Reinstall green wire on valve.
- Turn on fireplace and use a commercially available, non-corrosive leak check solution to test for leaks around the valve regulator.
- Reinstall the media by following the media placement instructions.
- Reinstall the glass and the doors.
- Turn on fireplace to check for proper burner flame pattern.
- Verify that both pilot and burner go out when the green wire and orange wire are disconnected from gas valve.
- Verify that the signed and dated conversion plate has been added to appliance.

**Verify the performance of the ignition system.**

- Verify pilot sparks, pilot lights, pilot stops sparking, and the main burner turns "ON."
- Turn fireplace OFF. Verify that the both the pilot and burner turn "OFF."
- Repeat Step 1 above.
- With burner "ON," remove green wire connected to valve. The main burner should shut "OFF."
- Reattach green wire to valve, and the main burner should turn back "ON."
- With the main burner "ON," remove orange wire connected to the valve. The pilot and burner should go out, and the pilot will start to spark.
- Turn fireplace "OFF" and reattach orange wire to the valve.

## Natural Gas Appliance Specifications

- Inlet Gas Pressure: Minimum: 5.0 in. w.c., Maximum: 10.0 in. w.c.
- Manifold Gas Pressure: 3.5 in. w.c.
- Input Rate: 38,000 BTUH 0-2000 Ft.  
34,200 BTUH 2000-4000 Ft. (In Canada)

**NOTE:** Input rate should be reduced by 4% for each 1000 feet above a 2000 foot elevation in the U.S.A. or 10% for elevations between 2000 and 4000 feet in Canada.

## Propane Appliance Specifications

- Inlet Gas Pressure: Minimum: 11.0 in. w.c., Maximum: 13.0 in. w.c.
- Manifold Gas Pressure: 10.0 in. w.c.
- Input Rate: 36,000 BTUH 0-2000 Ft.  
34,000 BTUH 2000-4000 Ft. (In Canada)

**NOTE:** Input rate should be reduced by 4% for each 1000 feet above a 2000 foot elevation in the U.S.A. or 10% for elevations between 2000 and 4000 feet in Canada.