

Fan Kit #BK-VC - Installation Instructions for RADVT, SDDVT, OXDV30



Kit contents

- (1) Fan Assembly w/Rheostat, Snapstat & Mounting Bracket.
- (1) #8 Star Washer
- (1) #10 Sheet Metal Screw
- (1) Cable Ties

Tools Needed

- Work gloves
- Phillips screwdriver



WARNING

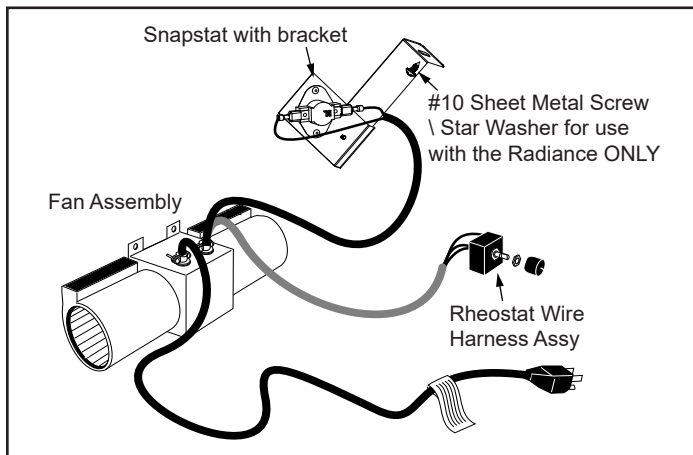
Avoid any drafts that alter burner flame patterns. Do not allow fans to blow directly into the fireplace.

This optional fan kit is equipped with a three-pronged (grounding) plug for your protection against shock hazard and should be plugged directly into a properly grounded three-pronged receptacle. Do not cut or remove the grounding prong from this plug.

Please read these instructions before proceeding with installation.

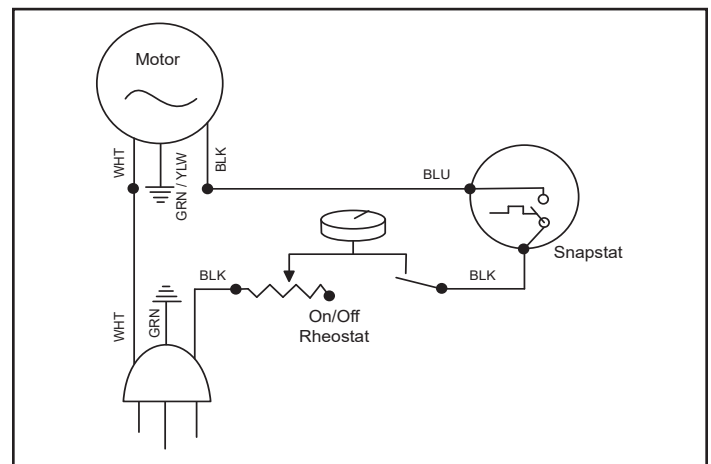
It is easiest to install the fan before the stove is connected to the gas supply line. Compare the contents of the fan kit with the list above and the view below to confirm that you have all of the parts.

Fan Kit



This kit fits different stoves; follow the procedures for your specific stove. Match these instructions to the model name and/or number on the stove's instructions or nameplate.

#BK-VC Fan wiring diagram



Radiance Direct Vent - RADVT

1. Remove the rear shroud panel, Figure 1.

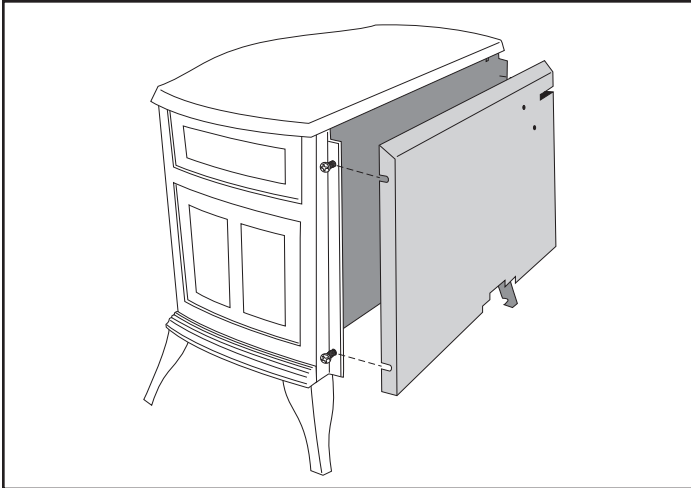


Figure 1 - Remove rear shroud panel.

2. Remove phillips screw and star washer. Lift top cover to access the lower set of holes, Figure 2.

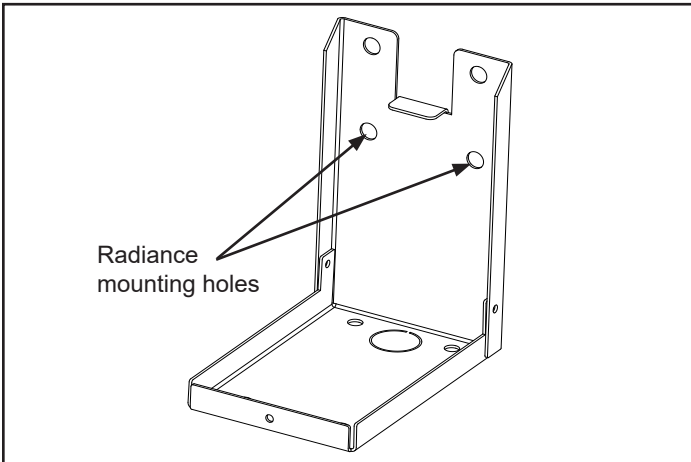


Figure 2

3. Fasten the blower assembly using the two phillips bolts originally installed in the firebox back, Figure 3.

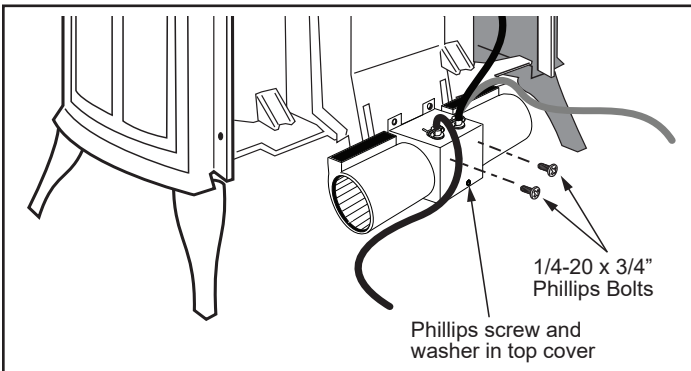


Figure 3 - Attach fan assembly.

4. Attach the snapstat bracket to the side shield, Figure 4.

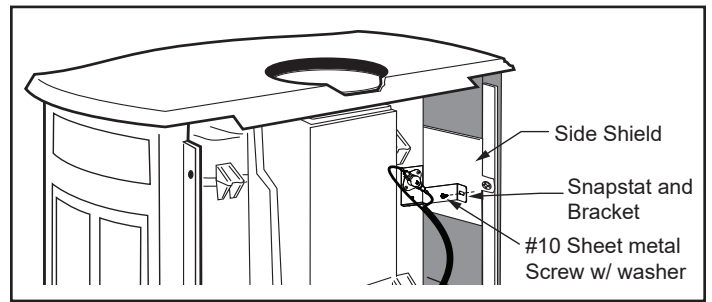


Figure 4 - Attach snapstat and bracket

5. The rheostat control switch attaches to the left side of the valve bracket at the front of the stove, Figure 5.

- Remove retaining nut from shaft of rheostat. (if pre-installed)
- Insert the rheostat through the hole in the back of the left side of the valve bracket, aligning the locator pin with the smaller hole in that bracket.
- Thread the retaining nut onto the shaft of the rheostat, tightening with a wrench. Do not overtighten.
- Attach the control knob to the rheostat shaft.
- Use the wire tie to secure the fan and rheostat wire harnesses together.

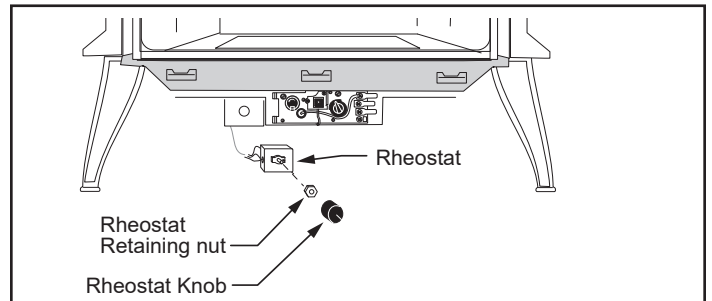


Figure 5 - Attach the fan rheostat.

4. Reinstall the rear shroud.

Stardance Direct Vent - SDDVT & Oxford Direct Vent OXDV30

1. Remove the rear skirt insert panel at the bottom of the Rear Skirt and fasten the blower assembly to the firebox back with the two Phillips pan-head bolts originally installed in the firebox back. ('A', Figure 6)

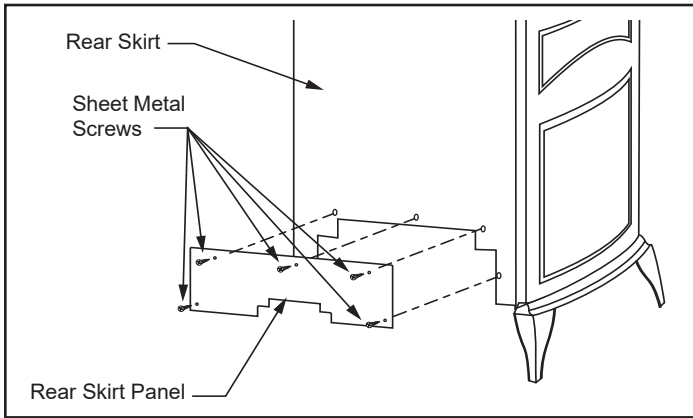


Figure 6 - Remove rear skirt panel.

2. Attach the snapstat bracket to the stove with existing hex-head bolt passing through the bracket and into the stove base. ('B', Figure 7)

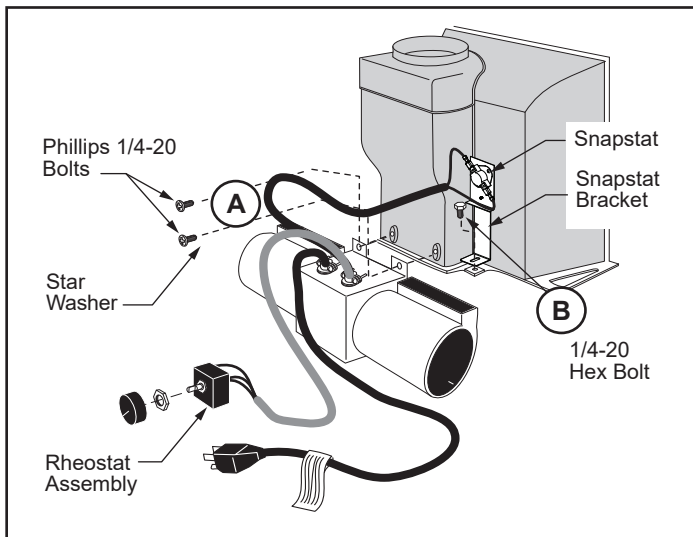


Figure 7 - Attach fan assembly and snapstat.

3. The rheostat control switch attaches to the left side of the valve bracket at the front of the stove, Figure 8.

- Remove retaining nut from shaft of rheostat. (if pre-installed)
- Insert the rheostat through the hole in the back of the left side of the valve bracket, aligning the locator pin with the smaller hole in that bracket.
- Thread the retaining nut onto the shaft of the rheostat, tightening with a wrench. Do not overtighten.
- Attach the control knob to the rheostat shaft.
- Use the wire tie to secure the fan and rheostat wire harnesses together.

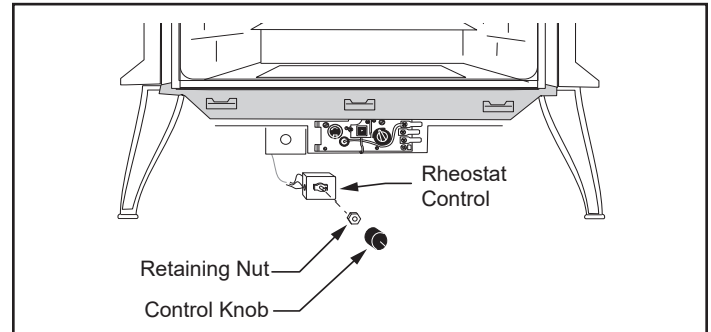


Figure 8 - Attach rheostat to left side of valve.

4. Reinstall the rear skirt insert panel.