

# FSDHAGSLP Freestanding Drafthood Adapter

## Installation Instructions



### Kit Contents

- (1) Hardware pack
  - (1) male/male adapter
  - (3) #8 - 18 x 1/2" screws
- (1) FSDHAGSLP
- (1) CCSLP Outer adapter ring

### Tool Required

Drill

The FSDHAGSLP Drafthood Adapter is supplied complete and ready to fit to your freestanding stove. With the drafthood adapter correctly installed and wired to the gas control valve, your direct vent stove can be vented using "B-vent" components and specifications.

The drafthood is fitted with a Vent Safety Shut-Off switch that must be wired per these instructions. When installing on the models listed, the use of an outer adapter ring (CCSLP) is required; SDVT and OXDV30.



### WARNING

Failure to correctly connect the sensor during installation may result in carbon monoxide (CO) poisoning and possible death.



### WARNING

The FSDHAGSLP Drafthood Adapter must be fitted by a qualified service technician.

## Installation Instructions

Depending on the stove model being converted, the FSDHAGSLP Drafthood Adapter can be fitted using Method A or Method B, as outlined below:

### Method A

1. Remove the drafthood adapter from the packaging. Check for any shipping damage to the unit and ensure the wiring harness is undamaged.
2. Check for the presence of a pre-punched knock-out in the center top area of the rear panel of the stove, Figure 1.
3. To expose the access plate in the rear panel of the air-intake box, remove the knock-out with a screw driver or other suitable tool, Figure 2. It is not necessary to remove this access plate; however, you must cut out the gasket material from the center hole.

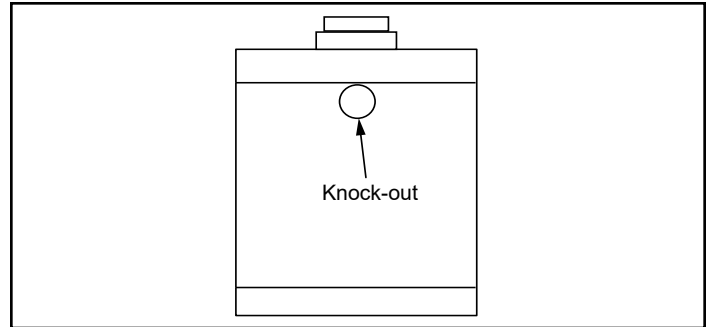


Figure 1 - Pre-punched knock-out in rear panel.

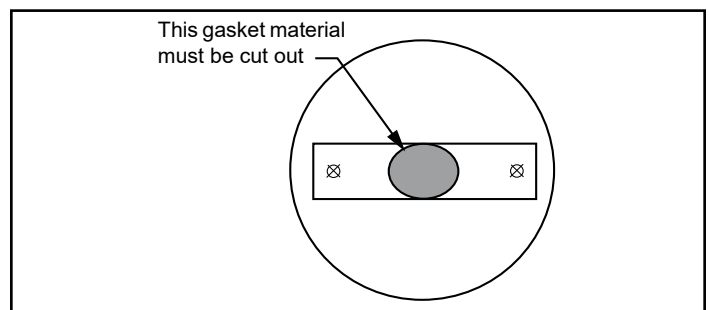


Figure 2 - Gasket material to be cut out.

4. Lay the drafthood adapter on top of the stove ensuring that it will not roll off during the following steps.

Insert a suitably shaped wire hook from the back through the knock-out and access plate until it comes up between the 6-5/8" and 4" flanges on the top of the stove. Using the hook, draw both wires from the FSDHAGSLP drafthood adapter down between the flanges, through the access plate and out through the knock-out, Figure 3.

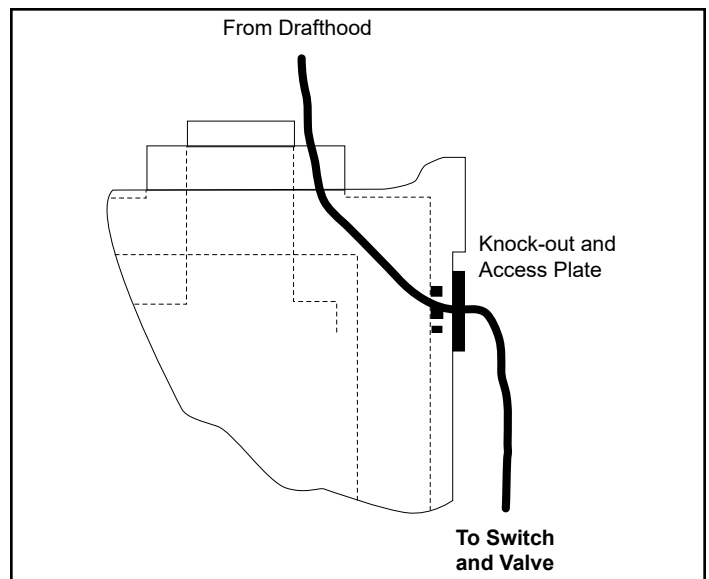


Figure 3 - Bring drafthood wires through the access plate.

5. Align and slide the draft hood adapter over the 6-5/8" and 4" flanges and push the adapter all the way to the bottom of the flanges, Figure 4. The draft hood adapter must be secured to the vent flanges with either self-tapping screws or high temperature sealant. For applications such as the SDVT and OXDV30 a CCSLP adapter must be installed before the draft hood adapter can be connected, Figure 5.

- Place a 3/8" bead of black silicone around the inside of the cast starter collar. Insert the crimped end of the outer adapter (CCSLP) into the cast outer starting collar and press down firmly.
- Place a 3/8" bead of black silicone around the 4" crimped end of the starter collar on the stove. Attach the draft hood adapter by aligning the inner and outer pipe with the inner starter collar on the stove and the outer collar (CCSLP) and pressing down firmly until the draft hood adapter is fully engaged.

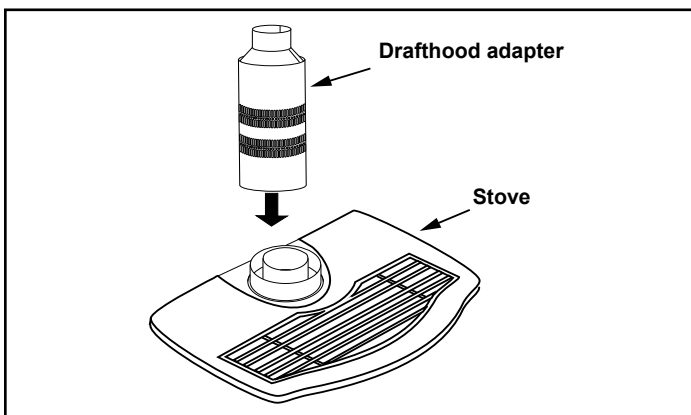


Figure 4 - Install draft hood adapter.

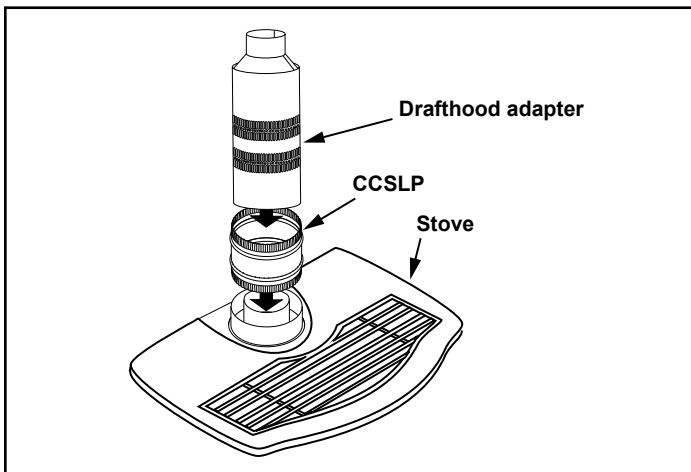


Figure 5 - Install draft hood adapter. (with CCSLP)



### CAUTION

Ensure the wires are not pinched between the adapter and the flange during the fitting of the draft hood.

6. Secure the wires under the clips on the back panel of the stove and connect them to the valve and "ON/OFF" switch as shown in Figure 6 wiring diagram. Be careful not to draw any wiring tight across any metal edges. If the stove is fitted with the Signature Command valve, connect the draft hood sensor wires to the Signature Command receiver wire assembly, Figure 8.

### Method B

**NOTE:** Some models of the freestanding stoves do not have the "knock-out" in the rear panel. When connecting the adapter to these units, you **MUST USE** Method B.

1. Remove the FSDHAGSLP from the packaging. Check for shipping damage to the unit and ensure the wiring harness is undamaged.
2. Feed the wires from the draft hood sensor in the draft hood adapter out through the hole in the side of the adapter, Figure 6.
3. Align and slide the draft hood adapter over the 6-5/8" and 4" flange and push the adapter all the way down to the bottom of the flanges. Ensure the wires are not pinched between the adapter and the flanges. For best appearance, we recommend installing the adapter with the wires exiting to the rear of the stove.

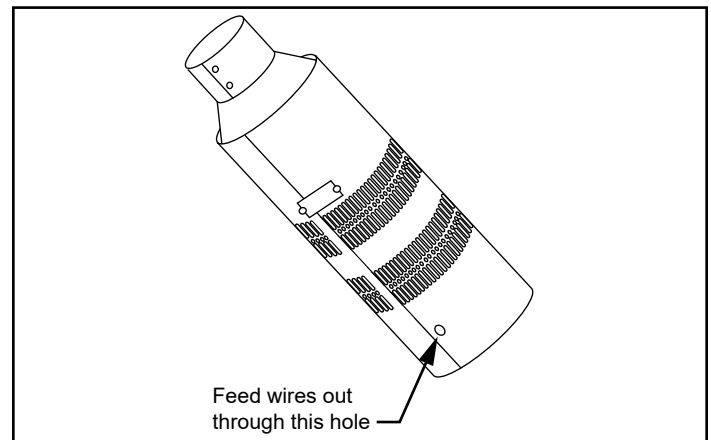


Figure 6 - Draft hood adapter.

**NOTE:** The draft hood adapter must be secured to the vent flange with either self-tapping screws or high temperature sealant.

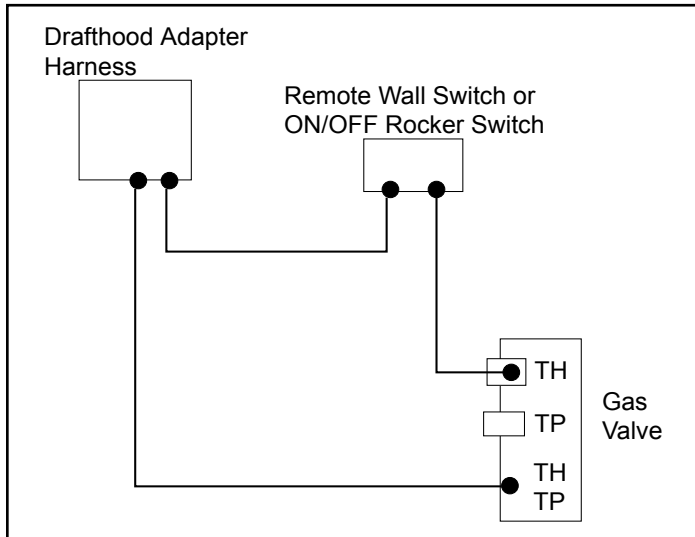
4. Secure the wires under the clips on the back panel of the stove and connect them to the valve and "ON/OFF" switch as shown in Figure 6 wiring diagram. Be careful not to draw any wiring tight across any metal edges. If the stove is fitted with the Signature Command valve, connect the draft hood sensor wires to the Signature Command receiver wire assembly, Figure 8.

## Electrical Connection

### Millivolt Control Valves

Connectors are labeled as shown in Figure 6 on all gas millivolt control valves.

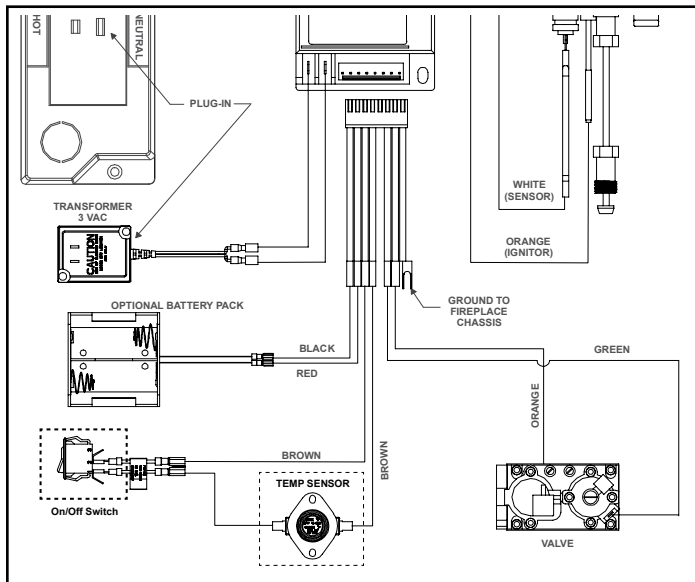
When fitting the drafhhood adapter to a stove with an ON/OFF rocker switch or remote wall switch, remove one wire from the switch to the gas valve and connect the drafhhood adapter harness, Figure 7.



**Figure 7** - Wiring the drafhhood adapter harness to an ON/OFF rocker switch or remote wall switch.

### IFT Control Valves

For units with the IntelliFire Touch Controls, the drafhhood sensor wires should be connected at the TEMP SENSOR location shown in the wiring diagram shown below. The drafhhood sensor will be wired in series with the On/Off switch with the brown wires, Figure 8.



**Figure 8**

## General Venting Information

### Canadian Installations

The venting system must be installed in accordance with the current CSA B149.1 installation code, and/or local codes having jurisdiction.

### US Installations

The venting system must be installed in accordance with the current National Fuel Gas Code, ANSI Z223.1, and/or local codes having jurisdiction.

Minimum clearance to combustibles is 6" (150 mm) when using single wall venting, and 1" (25 mm) when using "B-vent" venting.

HHT strongly recommends installing an approved chimney liner in an existing brick chimney to maximize potential chimney draft and lessen effects of slow chimney start-up. This is important because many homes (including older renovated homes) have become much tighter with respect to air exchange ("home breathing"). An overly-tight home creates conditions that affect proper vent performance.

To help ensure the above-noted condition does not affect the proper operation of this or any other combustion stove within the dwelling, it may be necessary to install some form of make-up air to the lowest areas of the home.

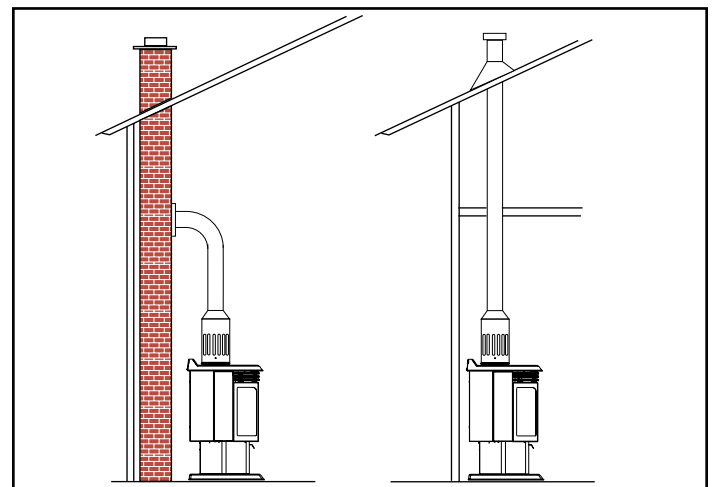
When installing the FSDHAGSLP on a Hearth & Home Technologies direct vent stove, do not install the restrictor plate that comes with the stove. This restrictor plate is only to be used when venting a Hearth & Home Technologies direct vent stove in the vertical position.

### Venting a Stove Fitted with the FSDHAGSLP Drafhhood Adapter

**NOTE:** Before commencing with the drafhhood adapter installation, please refer to the chimney manufacturer's installation instructions.

This unit may be vented to an existing masonry chimney, or where no masonry chimney is available, to an approved "B-vent" chimney or to any other approved constructed chimney/vent system, Figure 9.

In any case, the stove may be connected to the chimney/vent using a 4" (102 mm) single wall vent connector.



**Figure 9** - Venting stoves fitted with the FSDHAGSLP Drafhhood Adapter.

When an existing masonry chimney is utilized for the venting, we recommend the vent connector be connected to an approved 4" (102 mm) diameter flue liner running the full height of the chimney. This flue liner is mandatory in many local ordinances.

If 4" (102 mm) single wall vent is used, a minimum of 6" (150 mm) must be maintained between the vent connector and any combustibles.

If 4" (102 mm) "B-vent" is used, a minimum of 1" (25 mm) must be maintained between the vent connector and any combustibles.

A minimum vent height of 12' (3.6 m) from the floor is required to effectively vent this stove.

### Shared Flue Installations

In some areas, it is possible to vent more than one gas stove into a single flue. To do so, you must ensure the shared flue has the proper capacity for both appliances. Check installation codes for venting capacity information.

As always, it is best to check and confirm local codes and regulations before starting installation.

### Draft (Spillage) Test

Conduct a spillage test before leaving the installed stove with the customer. Perform this test in the following manner:

1. Close all windows and doors in the room.
2. Start all exhaust fans in the house and the furnace blower.
3. Light the stove and select maximum flame adjustment.
4. After a minimum of 10 minutes operation, test the chimney draft with a smoke match to confirm adequate "pull" at the vents around the body of the draught adapter, Figure 10.

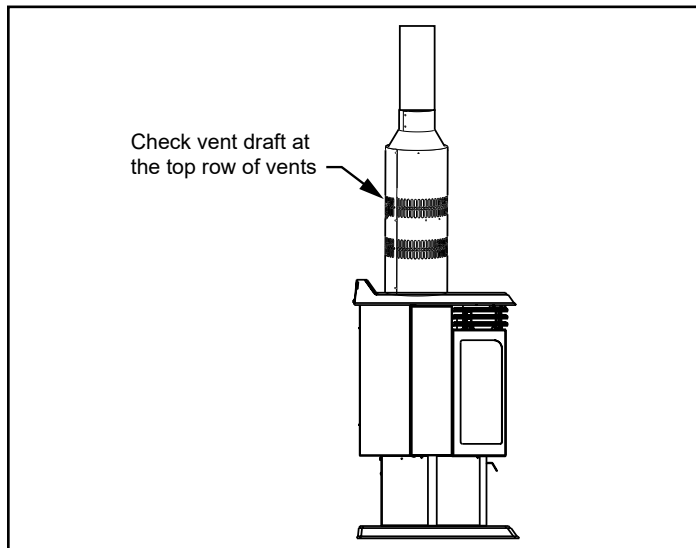


Figure 10 - Check vent draft in spillage test.

### Automatic Safety Shutdown

Use the following procedures if the Vent Safety sensor is activated and shuts off the main burner:

- Verify the pilot flame is still on.  
**NOTE:** If the pilot flame has gone out, the reason for the stove shut down is not the Vent Safety Switch.
- Turn off the pilot flame and close all controls per the Homeowner's Manual. Allow the stove to cool.
- Check the flue and venting components for blockages and/or restrictions.
- Locate the reset pin between the wire connections on the sensor, Figure 11. Use a suitable probe to push the pin "IN" toward the sensor.
- Restart the stove and check for vent draft as described in the **Draft (Spillage) Test** section.
- Operate the stove in a normal manner.
- If the main burner shuts off again after a period of operation, do not attempt to reset the sensor again. Turn off the stove and contact your service technician.

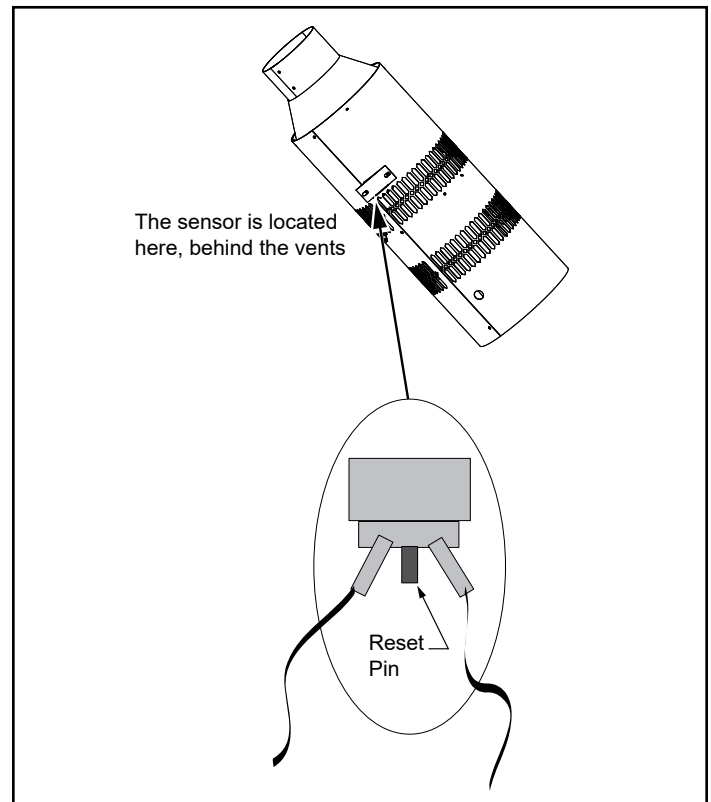


Figure 11 - Sensor and reset pin locations.

**Draft Hood Adapter Replacement Parts**

<b>Description</b>	<b>Part No.</b>
Vent Safety Sensor	10002013
Wiring Harness	10002418
Outer Adapter Ring	CCSLP

**Note:** Some DV venting components are available individually. Contact your local dealer for information and part numbers.

