

## SF-MEDIA-LOGS

**Model: SF-ALL40-BK, SF-ALL48-BK SF-ALL60-BK, SF-ALL84-BK**  
*Instructions*



Leave this instruction with party responsible for use and operation.

**NOTICE! DO NOT discard these instructions.** Important service and maintenance instructions included.

**NOTICE! DO NOT discard any hardware while servicing.** It may be reused.

**CAUTION! Risk of Cuts, Abrasions or Flying Debris.** Wear protective gloves and safety glasses during installation and service. Sheet metal edges are sharp.

**WARNING! Risk of Shock!** Always unplug the cord or turn off the circuit breaker before moving or servicing.

### Tools and Supplies Needed

Before beginning the installation be sure that the following tools - supplies are available.

Gloves  
Magnetic Phillips screwdriver  
Safety glasses  
Crystal Media (included with appliance)

### Kit includes:

LOG REFERENCE LETTER	LOG QUANTITY (40, 48, 60)	LOG QUANTITY (84)
A	2	3
B	1	1
C	1	2
D	1	1
E	1	1
F	1	2
G	3	5
H	2	3

**CAUTION! Two adults recommended for the removal or installation of glass front.** Use caution when handling glass. Failure to do so could result in personal injury or property damage.

### Glass Front Removal

Remove Glass Front

1. Remove the two (2) ST3X8 screws located on the glass panel. See Figure 1.

**Note:** Do not discard screws, screws will be reused.

2. Lift up evenly on the bottom edge of the glass to disengage the J-hooks from the shoulder bolts on the appliance.

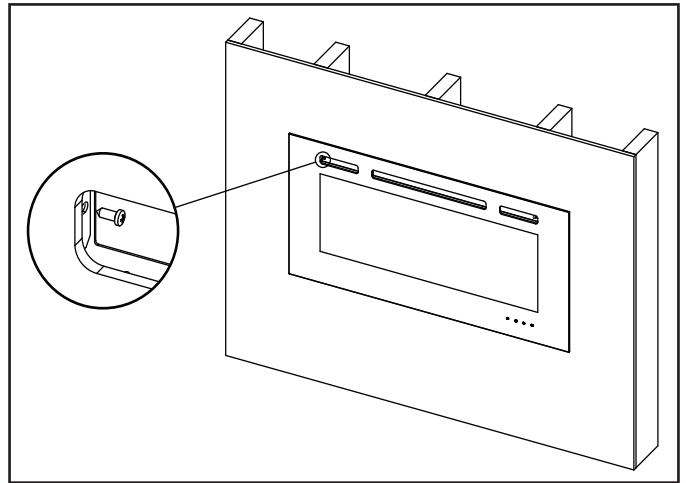


Figure 1. Remove Glass Front



## Log Installation

**Note:** Log placement examples below are variable and may be changed based on customers desired look.

3. Place small logs G (3) and H (2) on the fuel bed as show in Figure 2 & 4.

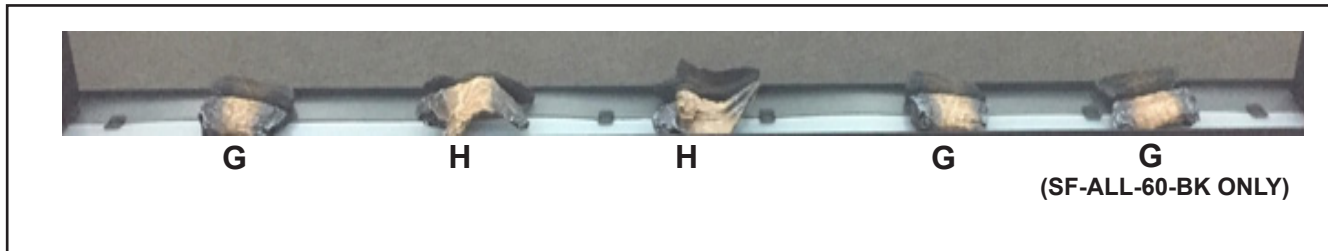


Figure 2. Place Small Logs

4. Place medium logs A (2), B (1), C (1), D (1), E (1) and F (1) on the fuel bed as show in Figure 3 & 4.

**Note:** You may not need to use all the logs on the SF-ALL40-BK and SF-ALL48-BK.



Figure 3. Place Medium Logs

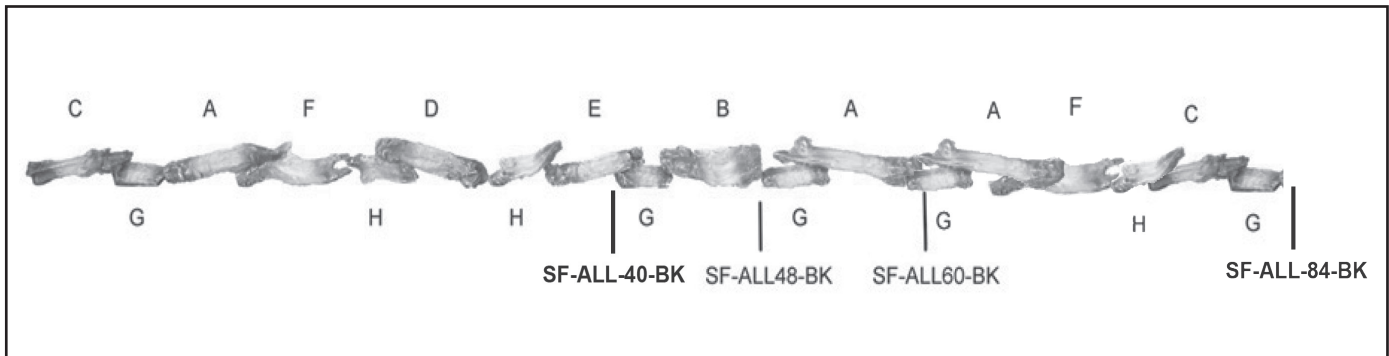


Figure 4. Log Placement Reference per Appliance

5. Place the small clear crystal media (included with the appliance) in between the log layout as show in Figure 5..



Figure 5. Place Small Clear Crystal Media

## Glass Front Installation

### Installing Glass

6. Install front panel. Locate the J-hooks on the back side of the glass on the four shoulder bolts on the appliance opening. Engage the shoulder bolts. See Figure 6.
7. Press down on top edge of glass to fully engage J-hooks on the shoulder bolts.

**Note:** Make sure the glass is fully attached to the fire-box so that the control panel can work properly.

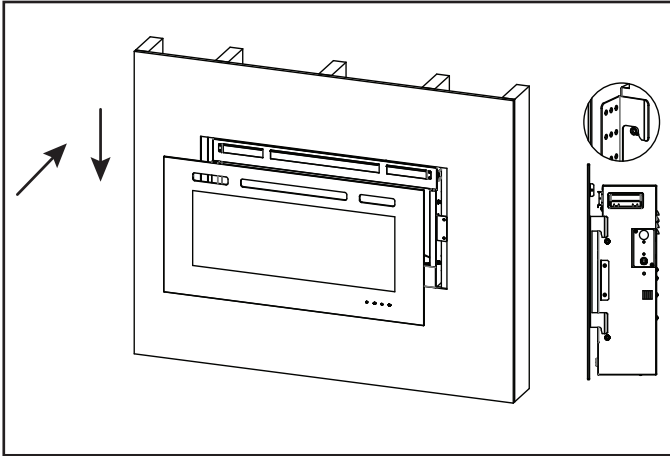


Figure 6. Glass Front Removal/Installation

8. Thread the two (2) ST3X8 screws into the threaded holes on the glass panel. Check the alignment of the glass panel and securely tighten the screws. See Figure 7.

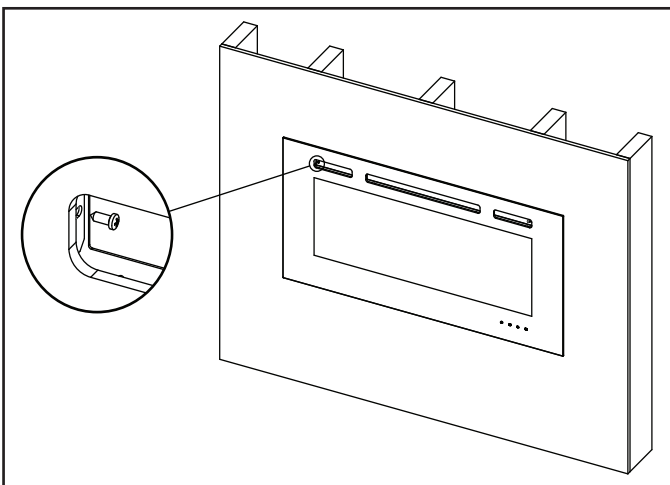


Figure 7. Secure Glass Front

Please contact the SimpliFire customer/technical support hotline at 877-320-0730 with any questions or concerns.

SimpliFire, a brand of Hearth & Home Technologies  
7571 215<sup>th</sup> Street West, Lakeville, MN 55044  
[www.hearthnhome.com](http://www.hearthnhome.com)