

# Natural Gas to Propane Conversion Instructions

MODELS: DVLINEAR36

## Conversion Instructions

This conversion shall be installed by a qualified service agency.

Any damaged valve components should not be installed. If a valve or regulator has been dropped or appears to have been modified, the valve or regulator should not be installed.

Conversion Component list:

- Burner Orifice: 1.25 mm
- Pilot Orifice
- Gas Valve Regulator
- Gas Conversion Plate
- P (Propane) Label

**CAUTION: THE GAS SUPPLY SHALL BE SHUT OFF PRIOR TO DISCONNECTING THE ELECTRICAL POWER BEFORE PROCEEDING WITH THE CONVERSION.**

### WARNING:

This Conversion kit shall be installed by a qualified service agency in accordance with the manufacturer's instructions and all applicable code and requirements of the authority having jurisdiction. If the information in these instructions is not followed exactly, a fire, explosion or production of carbon monoxide may result causing property damage, personal injury or loss of life. The qualified service agency is responsible for the proper installation of this kit. The installation is not proper and complete until the operation of the converted appliance is checked as specified in the manufacturer's instructions supplied with the kit.



**Note:** This appliance should be converted prior to applying finishing materials. The lower cover panel is removable if the finishing material is not installed. If finishing material has been installed, the conversion is to be done by removing the valve assembly. See appliance installation manual for more information.

### Procedure for conversion:

1. Verify that the kit supplied corresponds with the unit under conversion.

**NOTICE:** Wall switch **MUST** be in **OFF** mode before power can be disconnected or valve regulator lead can be connected or disconnected from valve.

2. Turn off power to module and valve by unplugging 3V transformer from junction box.
3. Turn off gas to valve. Red gas shutoff knob is located on ball valve.
4. Using a #20 tamper-proof Torx screwdriver, remove the regulator and rubber gasket on face of valve. See Figure 1. Discard both the regulator and gasket.
5. Install the rubber gasket and new regulator included in the conversion kit. Be sure the gasket is seated properly as shown in Figure 1.

	<b>⚠ WARNING</b>	
	Fire Risk Explosion Risk Gas Leak Risk	
	<ul style="list-style-type: none"><li>• Rubber gasket must be seated properly on valve face.</li><li>• Do not install a valve or regulator that has been dropped.</li></ul>	

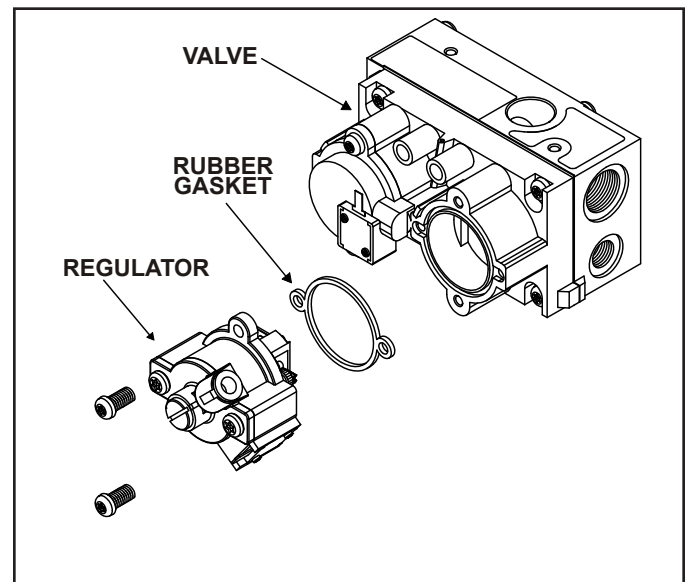


Figure 1

6. Remove the glass assembly. For detailed instructions, see appliance Installation or Owner's manual.
7. Remove the base pan by removing the two screws located in front of the burner. See Figure 2.

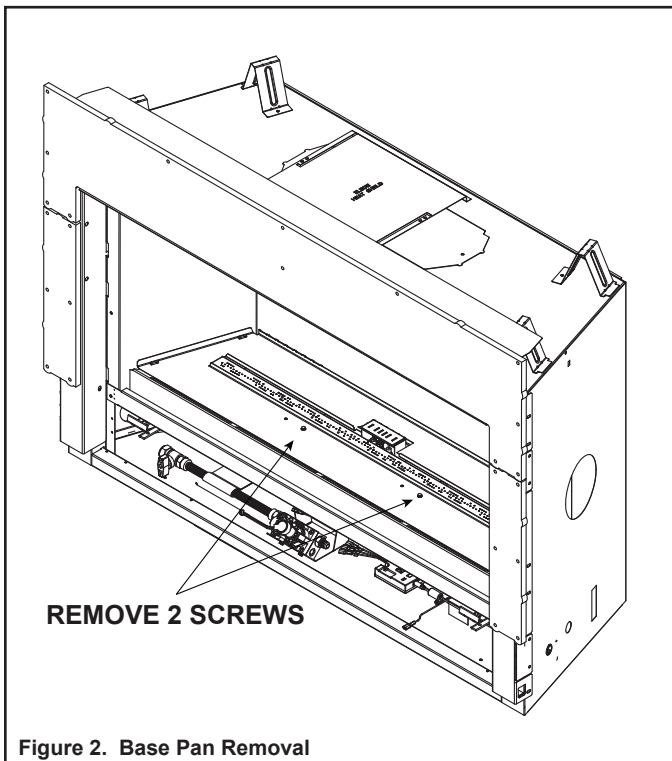


Figure 2. Base Pan Removal

- Remove the two screws that secure the pilot shield to the burner bracket and remove the two screws that secure the pilot assembly to the burner bracket. Remove the one screw that secures the burner bracket to the valve plate. See Figure 3. Gently push the pilot assembly backwards to allow for the burner to be removed.

Verify the burner orifice size. Replace the existing burner orifice with the burner orifice provided with this conversion kit.

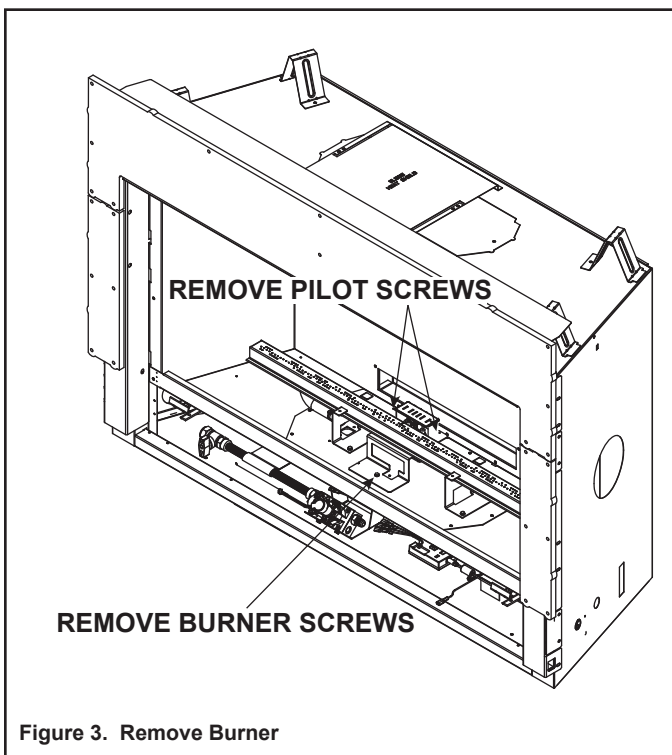


Figure 3. Remove Burner

- Locate the ferrule on the underside of the pilot. See Figure 4. Use a 7/16 inch wrench to loosen the nut to remove the pilot tube. Remove the pilot spud and replace with the pilot spud included in the kit. Insert the pilot tube into the ferrule fitting and tighten the nut to secure pilot tube to the pilot assembly.

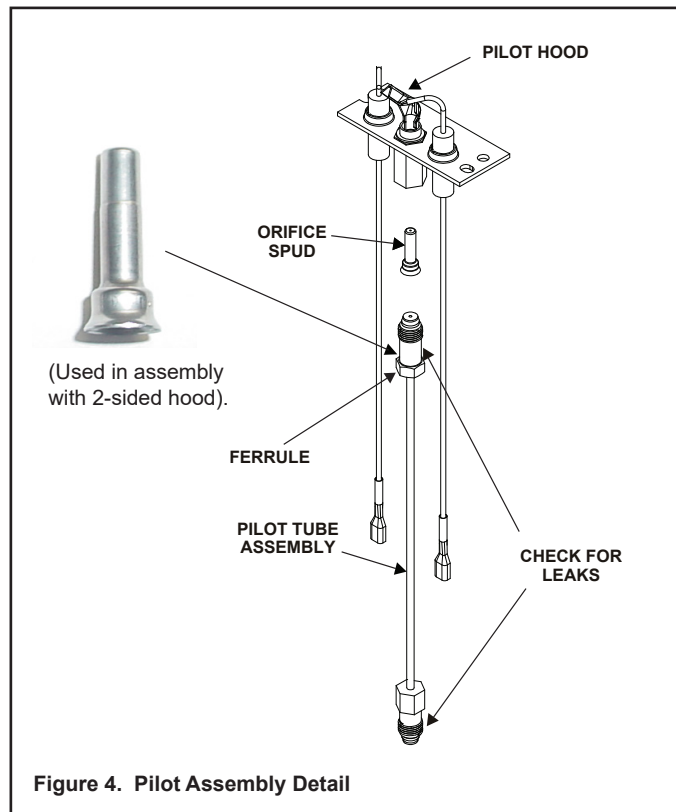


Figure 4. Pilot Assembly Detail

- Place the round propane (P) label included with the conversion kit over the existing round natural gas (NG) label on the bottom of the appliance. Fill out the installer conversion label. After filling out the label, clean an area near the existing rating label and attach. Place the included gas conversion plate adjacent to the existing rating plate.
- Unplug the green wire from valve.
- Turn on power to module and valve by plugging in 3 volt transformer to junction box.
- Turn on gas to appliance using red gas shutoff knob located on ball valve.

	<b>⚠ WARNING</b>
	<p>Shock or burn risk.</p> <ul style="list-style-type: none"> <li>Disconnect green wire from gas valve.</li> </ul> <p>Failure to disconnect green wire could result in severe burns.</p>

**Note:** The qualified service agency installing this conversion must enter the day, month, and year, and sign the propane conversion plate added to this appliance.

14. Turn on fireplace with the green wire disconnected from the valve. Note that only the pilot will ignite with the green wire disconnected.
15. Use a commercially available, non-corrosive leak check solution to test for leaks around the pilot. Be sure to rinse off all leak check solution following testing. See Figure 4 for leak check points. Extinguish the pilot. Turn fireplace OFF.
16. Reinstall burner and secure to valve plate with one screw.
17. Reattach pilot assembly to the burner bracket with two screws.
18. Reattach pilot shield to burner bracket with two screws.
19. Reinstall base pan with two screws.
20. Reinstall green wire on valve.
21. Turn fireplace on and use a commercially available, non-corrosive leak check solution to test for leaks around the valve regulator. Shut down appliance. Be sure to rinse off all leak check solution following testing.
22. Reinstall the media by following the instructions in the appliance installation manual.
23. Reinstall the glass assembly.
24. Turn on fireplace to check for proper burner flame pattern.
25. Verify that the signed and dated conversion plate has been added to appliance.

**Verify the performance of the ignition system.**

1. Verify pilot sparks, pilot lights, pilot stops sparking, and the main burner turns “ON.”
2. Turn fireplace OFF. Verify that both the pilot and burner are turned “OFF.”
3. Repeat Step 1 above.
4. With burner “ON,” remove green wire connected to valve. The main burner should shut “OFF.”
5. Reattach green wire to valve. The main burner should turn back “ON.”
6. Turn the fireplace OFF.
7. Turn the fireplace ON.
8. With the main burner “ON,” remove orange wire connected to the valve. The pilot and burner should go out, and the pilot will start to spark.
9. Turn fireplace “OFF“ and reattach orange wire to valve.

### Propane Gas Appliance Specifications

- |                                | <u>MAXIMUM</u>     | <u>MINIMUM</u> |
|--------------------------------|--------------------|----------------|
| • Inlet Gas Pressure: .....    | 13.0 in. w.c. .... | 11.0 in. w.c.  |
| • Manifold Gas Pressure: ..... | 10.0 in. w.c. .... | N/A            |
| • Input Rate:.....             | See Below          |                |

When installing above 2000 feet elevation:

- In the USA: Reduce input rate 4% for each 1000 feet above 2000 feet.
- In CANADA: Input ratings are certified without a reduction of input rate for elevations up to 4500 feet (1370 m) above sea level. Please consult provincial and/or local authorities having jurisdiction for installations at elevations above 4500 feet (1370 m).
- See appliance installation manual for details.

Model	Orifice #	Shutter	Input BTU
<b>DVLINEAR36</b>	1.25 mm	1/8 in.	16,500