

Blower

Installation Instructions

Model: BLOTBLDVSC For Signature Command Systems

Before You Start

The BLOTBLDVSC Blower Kit is designed to be installed with the Signature Command System with the SCSACM A/C control module and is controlled only with the RFSC remote control. These two items may need to be added if not included in your fireplace.

NOTE: This instruction sheet is ONLY for models listed below. Carefully inspect the contents for shipping damage. If any parts are missing or damaged, immediately inform the dealer from whom you purchased the part.

Models: BLDV400/500, 400/500DVBL, MLDV500, 500DVML, WDV500, 500DVW, MDV500/600, 500/600DVM, HDV500, 500DVH

IMPORTANT: Always check local building codes. This installation must comply with local regulations as well as the National Electric Code.

Kit Contents:

- (1) Blower Assembly (Includes wirings and two
- (2) identical blowers for left and right side)
- (1) Wire Clip
- (2) Magnetic Strips

Accessories Required: (Included with WDV/DVW)

- (1) SCSACM A/C Control Module
- (1) RFSC Hand Held Remote (full function)

Tools Required:

- Short handle Phillips screwdriver

Installation Instructions

Wiring

1. Before installing the blower, wire the receptacle into an electrical circuit. This should be done before framing the fireplace. Wire with minimum 60° C wire in accordance with prevailing codes.
2. Remove the external junction box cover by removing the screw from the left side of the outside firebox wall. Junction box was installed at the factory.
3. The junction box cover has a factory installed "romex" style strain relief connector. After connecting the wires, route the wire leads through this connector. Refer to the wiring diagram in Figure 1.

WARNING

- Before installing the blower, turn off the fireplace and allow to cool.
- Only a qualified service person should service and repair the fireplace.
- A qualified service person should connect and disconnect the fireplace to gas supply.
- Follow all local codes.

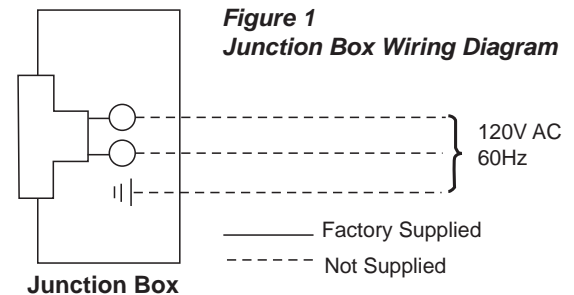
WARNING

Electrical Grounding Instructions:

This appliance is equipped with a three-prong (grounding) plug for your protection against shock hazard and should be plugged directly into a properly grounded three prong receptacle.

CAUTION

Electrical connections should only be performed by a qualified licensed electrician. Main power supply must be turned off before connecting fans to the main electrical power supply or performing service.



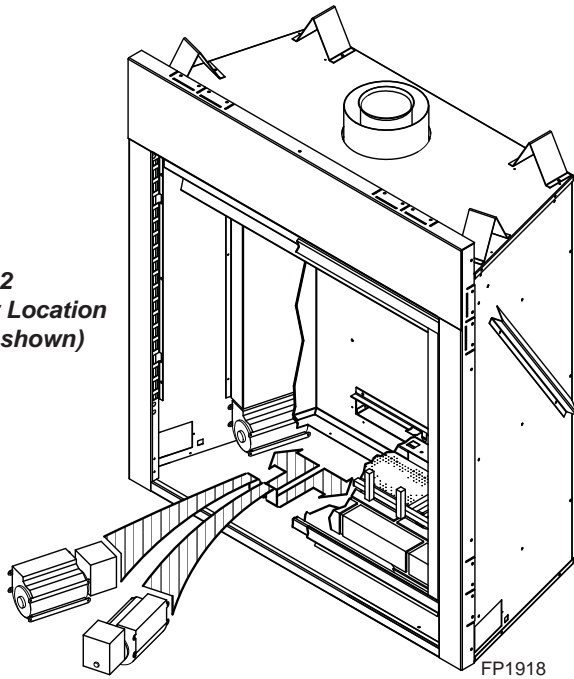
Before Installing the Blower

1. Always turn off the gas supply and allow the unit to cool before proceeding.
2. Check unit model number and follow appropriate installation instructions.
3. Clean the inside of the firebox (wall and floor), where the blower and wires will be installed. Make sure the firebox wall and floor are clean and dry before mounting the blower.

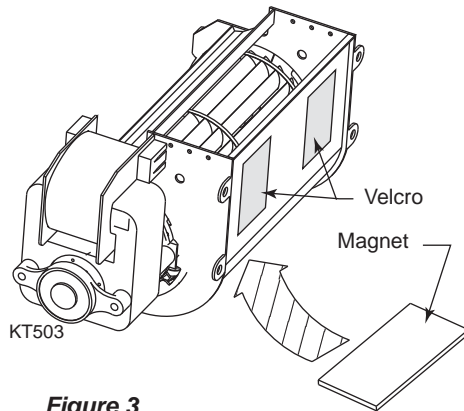
INSTALLATION INSTRUCTIONS

1. Remove the lower access panel from unit.
2. Remove glass frame by releasing the latches below the firebox opening and lifting glass frame up and away from unit.
3. Remove logs, embers, stone or glass.
4. Remove grate from engine.

**Figure 2
Blower Location
(BLDV shown)**



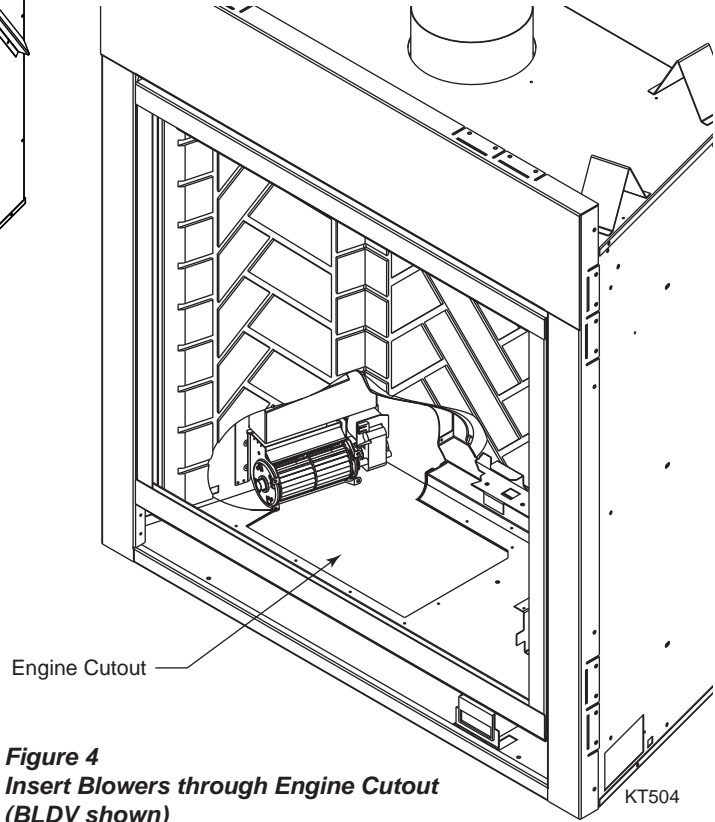
5. Remove hearth floor brick (HDV/DVH), floor screens (WDV/DVW) and/or wall brick panels.
6. Remove screws securing engine base to firebox floor and lift engine up to remove. Disconnect gas line. WDV/DVW unplug A/C box and light wires.
7. Two (2) magnetic strips and velcro are used to insulate blower vibration when using mounting brackets. Leave these in place. (Fig. 3)



**Figure 3
Magnet Installation**

8. The blowers are to be inserted flat through the engine cutout in the firebox floor. Slide each blower over to the sidewall location or rear wall where the two (2) mounting brackets are located. (Fig. 4)
9. Turn blowers with discharge vent facing up. Slip discharge vent flange under the flange bracket flush against the sidewall or back. Slide blower side tabs over into side flange. (Fig. 5) The blower is now locked in place.

For WDV/DVW, skip to Step 13.



**Figure 4
Insert Blowers through Engine Cutout
(BLDV shown)**

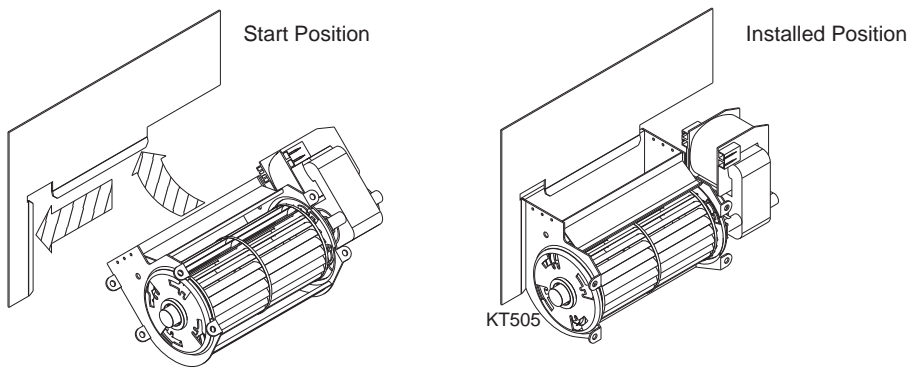
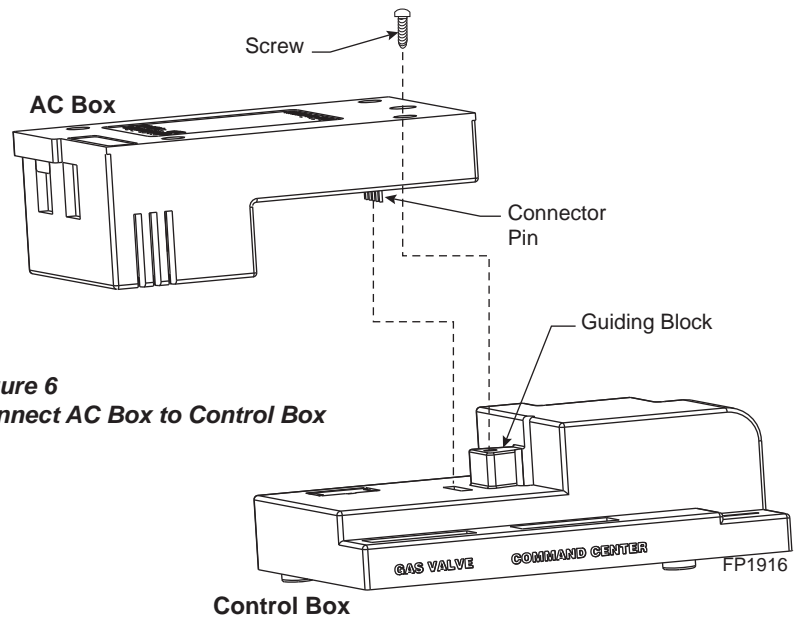


Figure 5
Blower Installation Position

NOTE: Some older units are not equipped with mounting brackets. Velcro and magnets are used to mount blowers to sidewall and floor.

10. For BLDV/DVBL, MLDV/DVML only: Remove control box from engine assembly by cutting the wire tie. Lift the metal bracket up and slide forward. It is not necessary to remove the control box for MDV/DVM, HDV/DVH or WDV/DVW models.
11. Align the connector pin on the AC box to the control box and gently push them together using the guiding block as a guide. (Fig. 6)
12. Secure the AC box to the control box using screw provided. Remount control box if removed.
13. Connect the blowers according to the wiring diagram. (Fig. 7) Ensure the wires marked "blower" are used from A/C box.
14. Replace engine, brick, grate, logs, embers, stones, glass and glass door in reverse order of removal.
15. Plug the AC box plug to the junction box. (Fig. 7) Make sure all wires are arranged so they do not come in contact with the blower blades.
16. To test blower operation. Turn the fireplace on. Turn blower on. The blower should turn on within five (5) minutes. Refer to the operating instructions on Signature Command remote control for complete operation instructions.

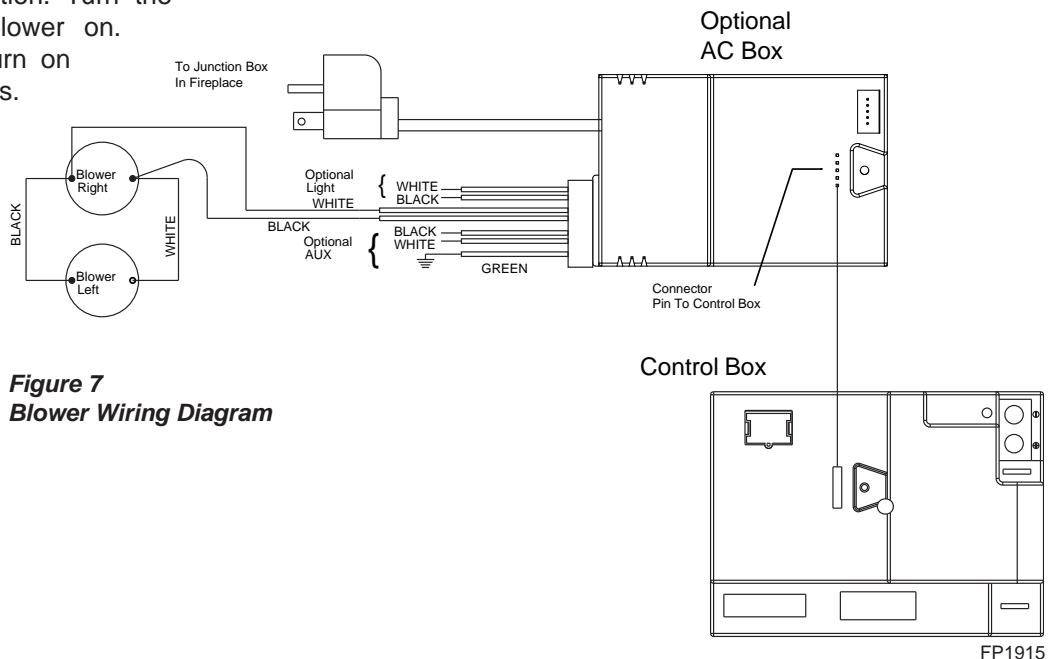
Figure 6
Connect AC Box to Control Box

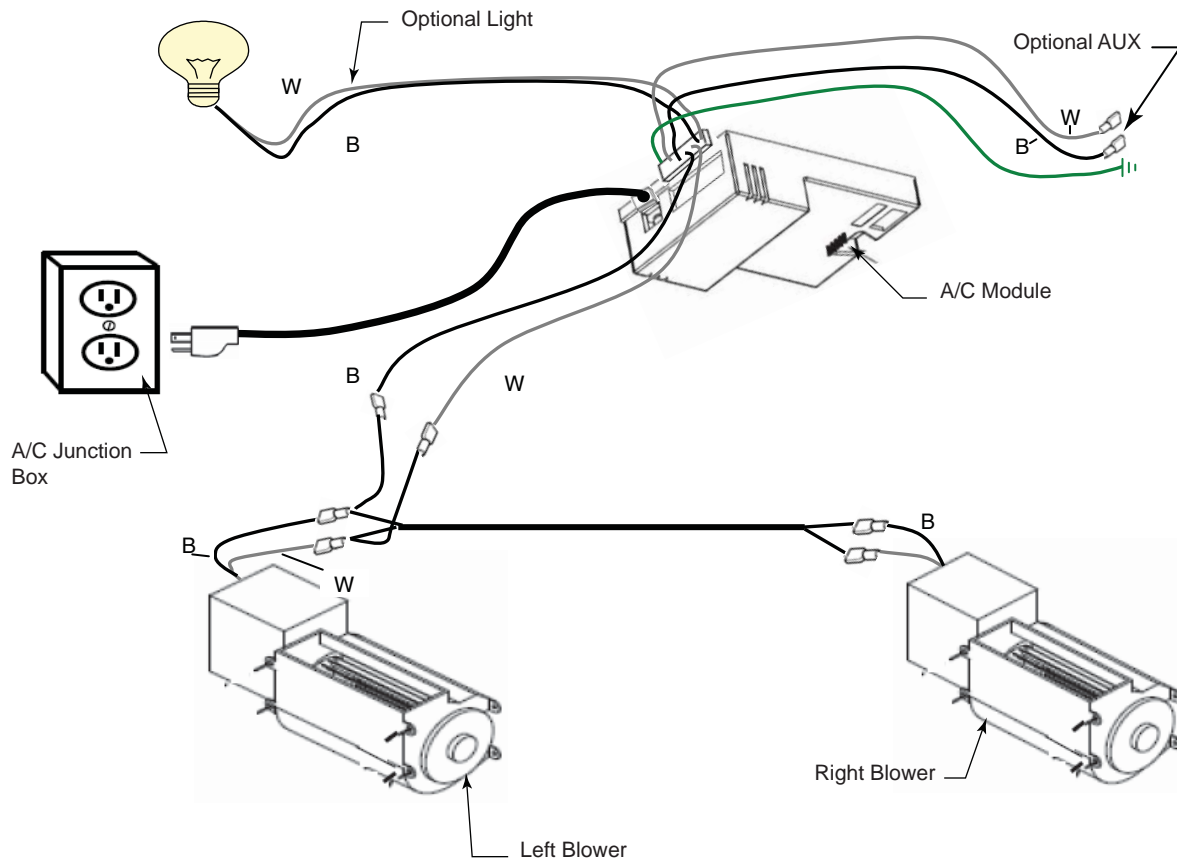


Finishing

Re-install the lower access panel.

Figure 7
Blower Wiring Diagram





**Figure 8 -
BLOTBLDVSC Wiring Diagram**