



# INSTALLATION MANUAL

## Gas Insert Series

(TDIX3-1 illustrated)

### SAFETY INFORMATION

#### **! WARNING**

#### **FIRE OR EXPLOSION HAZARD**

Failure to follow safety warnings exactly could result in serious injury, death, or property damage.

- Do not store or use gasoline or other flammable vapors and liquids in the vicinity of this or any other appliance.

#### **- WHAT TO DO IF YOU SMELL GAS:**

- Do not try to light any appliance.
- Do not touch any electrical switch; do not use any phone in your building.
- Immediately call your gas supplier from a neighbour's phone. Follow the gas supplier's instructions.
- If you cannot reach your gas supplier, call the fire department.

**- Installation and service must be performed by a qualified installer, service agency, or the supplier.**

This appliance may be installed in an aftermarket, permanently located, manufactured home (USA only) or mobile home, where not prohibited by local codes.

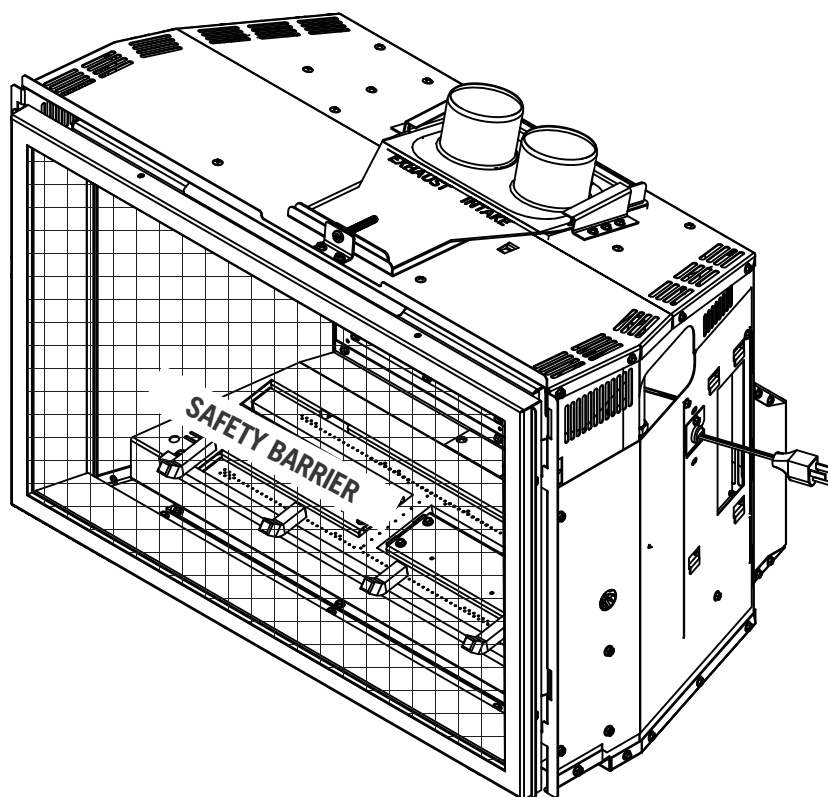
This appliance is only for use with the type of gas indicated on the rating plate. This appliance is not convertible for use with other gases, unless a certified kit is used.

#### **INSTALLER:**

Leave this manual with the appliance

#### **CONSUMER:**

Retain this manual for future reference



**FOR INDOOR USE ONLY**

**CERTIFIED TO THE CANADIAN AND AMERICAN NATIONAL STANDARDS:  
CSA 2.33 AND ANSI Z21.88 FOR VENTED GAS FIREPLACE HEATERS**



**PLACE BARCODE LABEL ON THE  
OWNER'S MANUAL**

Wolf Steel Ltd., 24 Napoleon Rd., Barrie, ON, L4M 0G8 Canada / 103 Miller Drive, Crittenden, Kentucky, USA, 41030  
Phone 1 (866) 820-8686 • www.timberwolffireplaces.com • ask@timberwolffireplaces.com

## WARNING

- **This appliance is hot when operated and can cause severe burns if contacted.**
- **Any changes or alterations to this appliance or its controls can be dangerous and is prohibited.**
- Do not operate appliance before reading and understanding operating instructions. Failure to operate appliance according to operating instructions could cause fire or injury.
- Ensure the glass door is opened or removed when lighting the pilot for the first time and when the gas supply has run out.
- Risk of fire or asphyxiation, do not operate appliance with fixed glass removed and never obstruct the front opening of the appliance.
- Do not connect 110 volts to the control valve, with the exception of models; GSST8 and GT8.
- Risk of burns. The appliance should be turned off and cooled before servicing.
- Do not install damaged, incomplete or substitute components.
- Risk of cuts and abrasions. Wear protective gloves, protective footwear, and safety glasses during installation. Sheet metal edges may be sharp.
- Do not burn wood or other materials in this appliance.
- Provide adequate ventilation and combustion air. Provide adequate accessibility clearance for servicing and operating the appliance.
- High pressure will damage valve. Disconnect gas supply piping before pressure testing gas line at test pressures above 1/2 psig. Close the manual shut-off valve before pressure testing gas line at test pressures equal to or less than 1/2 psig (35mb).
- The appliance must not be operated at temperatures below freezing (32°F / 0°C). Allow the appliance to warm to above freezing prior to operation, with the exception of models; GSS36, GSS42; these appliances are suitable for 0°F / -18°C.
- **Children and adults should be alerted to hazards of high surface temperature and should stay away to avoid burns or clothing ignition.**
- **Young children should be carefully supervised when they are in the same room as the appliance. Toddlers, young children and others may be susceptible to accidental contact burns. A physical barrier is recommended if there are at risk individuals in the house. To restrict access to an appliance or stove, install an adjustable safety gate to keep toddlers, young children and other at risk individuals out of the room and away from hot surfaces.**
- **Clothing or other flammable material should not be placed on or near the appliance.**
- **Due to high temperatures, the appliance should be located out of traffic and away from furniture and draperies.**
- Furniture or other objects must be kept a minimum of 4 feet (1.22m) away from the front of the appliance.
- Ensure you have incorporated adequate safety measures to protect infants/toddlers from touching hot surfaces.
- Even after the appliance is off, it will remain hot for an extended period of time.
- Check with your local hearth specialty dealer for safety screens and hearth guards to protect children from hot surfaces. These screens and guards must be fastened to the floor.
- **Any safety screen, guard or barrier removed for servicing the appliance, must be replaced prior to operating the appliance.**
- It is imperative that the control compartments, burners and circulating blower and its passageway in the appliance and venting system are kept clean. The appliance and its venting system should be inspected before use and at least annually by a qualified service person. More frequent cleaning may be required due to excessive lint from carpeting, bedding material, etc. The appliance area must be kept clear and free from combustible materials, gasoline and other flammable vapors and liquids.
- If the appliance shuts off, do not re-light until you provide fresh air. If appliance keeps shutting off, have it serviced. Keep burner and control compartment clean.
- Under no circumstances should this appliance be modified.
- Do not allow wind or fans to blow directly into the appliance. Avoid any drafts that alter burner flame patterns.



# DANGER



**HOT GLASS WILL CAUSE BURNS.**

**DO NOT TOUCH GLASS UNTIL COOLED.**

**NEVER ALLOW CHILDREN TO TOUCH GLASS.**

A barrier designed to reduce the risk of burns from the hot viewing glass is provided with this appliance and must be installed for the protection of children and other at-risk individuals.

**! WARNING**


- Do not use a blower insert, heat exchanger insert or other accessory not approved for use with this appliance.
- This appliance must not be connected to a chimney flue pipe serving a separate solid fuel burning appliance.
- Do not use this appliance if any part has been under water. Immediately call a qualified service technician to inspect the appliance and to replace any part of the control system and any gas control which has been under water.
- Do not operate the appliance with the glass door removed, cracked or broken. Replacement of the glass should be done by a licensed or qualified service person, if equipped.
- Do not strike or slam shut the appliance glass door, if equipped.
- **Only doors / optional fronts certified with the appliance are to be installed on the appliance.**
- Keep the packaging material out of reach of children and dispose of the material in a safe manner. As with all plastic bags, these are not toys and should be kept away from children and infants.
- Carbon or soot should not occur in a vent free appliance as it can distribute into the living area of your home. If you notice any signs of carbon or soot, immediately turn off your appliance and arrange to have it serviced by a qualified technician before operating it again.
- If equipped, the screen must be in place (closed) when the appliance is in operation.
- When equipped with pressure relief doors, they must be kept closed while the appliance is operating to prevent exhaust fumes containing carbon monoxide, from entering into the home. Temperatures of the exhaust escaping through these openings can also cause the surrounding combustible materials to overheat and catch fire.
- Carbon monoxide poisoning may lead to death; early signs of carbon monoxide poisoning resemble the flu, with headache, dizziness and/or nausea. If you have these signs, the appliance may not be working properly. Get fresh air at once! Have appliance serviced. Some people; pregnant women, persons with heart or lung disease, anemia, those under the influence of alcohol, those at high altitudes are more affected by carbon monoxide than others. Failure to keep the primary air opening(s) of the burner(s) clean may result in sooting and property damage.
- As with any combustion appliance, we recommend having your appliance regularly inspected and serviced as well as having a Carbon Monoxide Detector installed in the same area to defend you and your family against Carbon Monoxide (not applicable for outdoor appliances).
- Ensure clearances to combustibles are maintained when building a mantel or shelves above the appliance. Elevated temperatures on the wall or in the air above the appliance can cause melting, discolouration or damage to decorations, a TV or other electronic components.
- **For appliances equipped with a safety barrier; if the barrier becomes damaged, the barrier shall be replaced with the manufacturer's barrier for this appliance.**
- **Installation and repair should be done by a qualified service person. It is imperative that control compartments, burners and circulating air passageways of the appliance be kept clean.**
- For outdoor products only: this appliance must not be installed indoors or within any structure that prevents or inhibits the exhaust gases from dissipating in the outside atmosphere.
- If applicable, the millivolt version of this appliance uses and requires a fast acting thermocouple. Replace only with a fast acting thermocouple supplied by Wolf Steel Ltd.

**! WARNING:** This product can expose you to chemicals including lead and lead compounds, which are known to the State of California to cause cancer, and chemicals including carbon monoxide, which are known to the State of California to cause birth defects or other reproductive harm. For more information, go to [www.P65Warnings.ca.gov](http://www.P65Warnings.ca.gov).

**! WARNING !**

**FIRE RISK HAZARD / DELAYED IGNITION**

High supply pressure will damage the valve / controls.



Disconnect the appliance main gas valve/control from the supply piping when pressure testing that system at pressures in excess of 1/2 psi (3.5 kPa).

Isolate the appliance with it's shut off valve during any pressure testing of the supply piping at pressures equal to or less than 1/2 psi (3.5 kPa).

# table of contents

<b>1.0</b>	<b>general information</b>	<b>5</b>	<b>7.0</b>	<b>adjustments</b>	<b>32</b>
1.1	rates and efficiencies	6	7.1	pilot burner adjustment	32
1.2	rating plate information	8	7.2	venturi adjustment	32
1.3	operating and lighting instructions	9	7.3	flame characteristics	33
1.4	shut-off valve	9	7.4	optional wall switch	33
1.5	dimensions	10	<b>8.0</b>	<b>maintenance</b>	<b>34</b>
1.6	minimum clearance to combustibles	10	8.1	annual maintenance	35
<b>2.0</b>	<b>installation planning</b>	<b>11</b>	8.2	care of glass	35
2.1	optional non-combustible installation	11	8.3	care of plated parts	36
2.2	levelling the appliance	12	8.4	door glass replacement	36
2.3	chimney connection	13	8.5	media tray installation	36
2.4	gas installation	14	8.6	night light™ replacement (TDIG3-1 / TDIX3-1)	37
<b>3.0</b>	<b>finishing</b>	<b>15</b>	8.7	restricting vertical vents	37
3.1	minimum combustible mantel clearances	15	8.8	valve train replacement	38
3.2	safety barrier & door removal / installation	16	8.9	accessing the blower for service (if equipped)	38
3.3	log placement	17	<b>9.0</b>	<b>replacement parts</b>	<b>39</b>
3.3.1	log placement for TDI3-1 / TDI3E-1	17	9.1	overview	40
3.3.2	log placement for TDIX3-1	20	9.2	right side access plate assembly	41
3.4	decorative panels	22	9.3	valve train assembly (TDI3-1)	42
3.5	media installation	23	9.4	valve train assembly (TDIG3-1)	43
3.6	logo placement	23	9.5	valve train assembly (TDIX3-1)	44
3.7	glowing embers	23	9.6	valve train assembly (TDI3E-1)	45
3.8	charcoal embers	24	9.7	firebox top assembly	46
3.9	battery installation (TDIG3-1 / TDIX3-1)	24	<b>10.0</b>	<b>troubleshooting (millivolt - TDI3-1)</b>	<b>47</b>
3.10	battery installation (TDI3E-1)	24	<b>11.0</b>	<b>troubleshooting (electronic TDI3E-1/TDIG3-1/TDIX3-1)</b>	<b>49</b>
3.11	receiver removal	25	<b>12.0</b>	<b>warranty</b>	<b>52</b>
3.12	bracket installation for optional F45/60 receiver (TDI3-1)	25			
<b>4.0</b>	<b>electrical information</b>	<b>26</b>			
4.1	wiring diagram (TDIG3-1 / TDIX3-1)	26			
4.2	wiring diagram (TDI3E-1)	27			
<b>5.0</b>	<b>operation (millivolt - TDI3-1)</b>	<b>28</b>			
<b>6.0</b>	<b>operation (electronic - TDI3E-1, TDIG3-1, TDIX3-1)</b>	<b>29</b>			
6.1	pilot on demand	30			
6.2	ACS switch location (TDI3E-1 only)	31			

## note:

The information throughout this manual is believed to be correct at the time of printing. Wolf Steel Ltd. reserves the right to change or modify any information within this manual at any time without notice. Changes, other than editorial are denoted by a vertical line in the margin.

# Installer: please fill out appliance checklist in the owner's manual.

## 1.0 general information

When the appliance is installed at elevations above 4,500ft (1372m), and in the absence of specific recommendations from the local authority having jurisdiction, the certified high altitude input rating shall be reduced at the rate of 4% for each additional 1,000ft (305m). Expansion / contraction noises during heating up and cooling down cycles are normal and are to be expected.

This appliance is approved for bathroom, bedroom and bed-sitting room installations and is certified for mobile home installation.

This appliance is field convertible between natural gas (NG) and propane (P). To convert from one to another, consult your authorized dealer / distributor.

**This appliance is only for use with the type of gas indicated on the rating plate. This appliance is not convertible for use with other gases, unless a certified kit is used.**

### note:

A barrier designed to reduce the risk of burns is provided with the appliance and must be installed. Never operate the appliance without the barrier installed.

The protective wrap on plated parts is best removed when the assembly is at room temperature but this can be improved if the assembly is warmed, using a hair dryer or similar heat source. The protective wrap must be removed before operating the appliance.

**This appliance is a decorative product. It is not a source of heat and not intended to burn solid fuel.**



Batteries must be disposed of according to the local laws and regulations. Some batteries may be recycled, and may be accepted for disposal at your local recycling center. Check with your municipality for recycling instructions.

### important:

Some components and/or media are packaged separately and must be installed in accordance with the information in this manual.

# general information

## 1.1 rates and efficiencies

<b>TDI3-1 / TDI3E-1</b>	<b>NG</b>	<b>P</b>
	Altitude (FT)	0 - 4500
Max. Input (BTU/hr)	24,500	
Max. Output (BTU/hr)	13,475	

<b>TDIG3-1</b>	<b>NG</b>	<b>P</b>
	Altitude (FT)	0 - 4500
Max. Input (BTU/hr)	24,000	
Max. Output (BTU/hr)	14,808	

<b>TDIX3-1</b>	<b>NG</b>	<b>P</b>
	Altitude (FT)	0 - 4500
Max. Input (BTU/hr)	30,000	
Max. Output (BTU/hr)	18,540	

<b>TDI3-1 / TDI3E-1 / TDIG3-1 / TDIX3-1</b>	<b>NG</b>	<b>P</b>
	Min. Inlet Gas Supply Pressure	4.5" W.C. (11mb)
Max. Inlet Gas Supply Pressure	7" * W.C. (17mb)	13" W.C. (32mb)
Manifold Pressure (under Flow Conditions)	3.5 W.C. (9mb)	10" W.C. (25mb)

\* Max. inlet pressure not to exceed 13".

**! WARNING**

- Always light the pilot whether for the first time or if the gas supply has run out, with the glass door opened or removed.
- Provide adequate clearance for servicing and operating the appliance.
- Provide adequate ventilation.
- Never obstruct the front opening of the appliance.
- Objects placed in front of the appliance must be kept a minimum of 48" (121.9cm) from the front face of the appliance.
- Surfaces around and especially above the appliance can become hot. Avoid contact when appliance is operating.
- Fire risk. Explosion hazard.
- High pressure will damage valve. Disconnect gas supply piping before pressure testing gas line at test pressures above 1/2 PSIG. Close the manual shut-off valve before pressure testing gas line at test pressures equal to or less than 1/2 PSIG (35mb).
- Use only Wolf Steel approved optional accessories and replacement parts with this appliance using non-listed accessories (blowers, doors, louvres, trims, gas components, venting components, etc.) could result in a safety hazard and will void the warranty and certification.
- The appliance must not be operated at temperatures below freezing (32°F / 0°C). Allow the appliance to warm, to above freezing prior to operation.
- This appliance has been designed and certified for indoor use only.

**THIS GAS APPLIANCE MUST BE INSTALLED AND SERVICED BY A QUALIFIED INSTALLER** to conform with local codes. Installation practices vary from region to region and it is important to know the specifics that apply to your area, for example in the state of Massachusetts:

- This product must be installed by a licensed plumber or gas fitter when installed within the commonwealth of Massachusetts.
- The appliance damper must be removed or welded in the open position prior to installation of an appliance insert or gas log.
- The appliance off valve must be a "T" handle gas cock.
- The flexible connector must not be longer than 36 inches (0.9m).
- A carbon monoxide detector is required in all rooms containing gas fired appliances.
- The appliance is not approved for installation in a bedroom or bathroom unless the unit is a direct vent sealed combustion product.

The installation must conform with local codes or, in absence of local codes, the National Gas and Propane Installation Code CSA B149.1 in Canada, or the National Fuel Gas Code, ANSI Z223.1 / NFPA 54 in the United States. Suitable for mobile home installation if installed in accordance with the current standard CAN/CSA Z240MH Series, for gas equipped mobile homes, in Canada or ANSI Z223.1 and NFPA 54 in the United States.

The appliance and its individual shutoff valve must be disconnected from the gas supply piping system during any pressure testing of that system at test pressures in excess of 1/2 psig (35 mb).

The appliance must be isolated from the gas supply piping system by closing its individual manual shutoff valve during any pressure testing of the gas supply piping system at test pressures equal to or less than 1/2 psig (35 mb). When installed with a blower or fan, the junction box must be electrically connected and grounded in accordance with local codes. In the absence of local codes, use the current CSA C22.1 Canadian Electrical Code in Canada or the ANSI / NFPA 70 National Electric Code in the United States. In the case where the blower is equipped with a power cord, it must be connected into a properly grounded receptacle. The grounding prong must not be removed from the cord plug.

The following does not apply to inserts; as long as the required clearance to combustibles is maintained, the most desirable and beneficial location for an appliance is in the center of a building, thereby allowing the most efficient use of the heat created. The location of windows, doors and, the traffic flow in the room where the appliance is to be located should be considered. If possible, you should choose a location where the vent will pass through the house without cutting a floor or roof joist.



We suggest that our gas hearth products be installed and serviced by professionals who are certified in the U.S. by the National Fireplace Institute® (NFI) as NFI Gas Specialists

# general information

## 1.2 rating plate information

Certified to Canadian and American National Standards: **CSA 2.22-XXXX / ANSI Z21.50-XXXX for Vented Decorative Gas Appliances**  
 Certifié selon les normes Nationales Canadiennes et Américaines: **CSA 2.22-XXXX / ANSI Z21.50-XXXX pour les Appareils à gaz décoratif à évacuation**

Direct vent, vented gas fireplace. Approved for bedroom, bathroom and bed-sitting room installation. Suitable for mobile home installation. If installed in accordance with the current standard CAN / CSA 2240MH Series gas equipped mobile homes in Canada, or, in the United States, the *Manufactured Home Construction and Safety Standard, ANSI Z21.50 CFR, Part 3010*. When this US Standard is not applicable, use the Standard for Fire Safety Criteria for Manufactured Home Installations, Sites and Communities, *ANSI NFPA 501A*. This appliance must be installed in accordance with local codes, if any; if none, follow the current ANSI Z221.1 or CSA B140. For use with barrier **WXXX-XXXX**, follow *Installation Instructions*. Four à gaz ventilé. Homologué pour installation dans une chambre à coucher, une salle de bain et un studio. Approuvé pour installation dans une maison mobile en installation conforme aux exigences de la norme CAN / CSA 2240MH Série de maisons mobiles équipées au gaz en vigueur au Canada, ou, aux États-Unis selon la norme *ANSI Z21.50*, *Manufactured Home Construction and Safety Standard*. Dans le cas où cette norme d'États-Unis n'est pas pertinente, utiliser la norme *NFPA 501A, Fire Safety Criteria for Manufactured Home Installations, Sites and Communities*. Installer l'appareil selon les codes ou règlements locaux ou, en l'absence de tels règlements, selon les codes d'installation ANSI Z221.1 ou CSA B140 en vigueur. Utiliser uniquement avec l'écran **WXXX-XXXX**. Suivre les instructions d'installation.

**US Energy Verified**  
**REFERENCE# 161746**

**VENTED DECORATIVE GAS APPLIANCE: NOT A SOURCE OF HEAT, NOT INTENDED FOR USE AS A HEATING APPLIANCE, NOT FOR USE WITH SOLID FUEL.**  
**APPAREIL À GAZ DÉCORATIF À ÉVACUATION: N'EST PAS UNE SOURCE DE CHALEUR; N'EST PAS DESTINÉ À ÊTRE UTILISÉ COMME UN APPAREIL DE CHAUFFAGE; NE CONVIENT PAS AUX COMBUSTIBLES SOLIDES.**

**FOR USE WITH GLASS DOORS CERTIFIED WITH THIS APPLIANCE ONLY. POUR UTILISATION UNIQUEMENT AVEC LES PORTÈS EN VERRE CERTIFIÉES AVEC L'APPAREIL.**

For natural gas when equipped with No. XX drill size orifice. For propane when equipped with No. XX drill size orifice. Contient au gaz naturel quand l'appareil est muni d'un injecteur de diamètre no. XX. Contient au propane quand l'appareil est muni d'un injecteur de diamètre no. XX.

**WARNING:** Do not add any material to the appliance which will come in contact with the flames, other than that supplied by the manufacturer with the appliance.  
**AVERTISSEMENT:** N'ajoutez pas à cet appareil aucun matériau devant entrer en contact avec les flammes autre que celui qui est fourni avec cet appareil par le fabricant.

The appliance must be vented using the appropriate Napoleon vent kits. See installation manual for venting specifications. Proper reinstallation and resealing is necessary after servicing the vent-air intake system.  
 L'appareil doit être ventilé à l'aide de l'ensemble d'évacuation propre à Napoleon. Référez au manuel d'installation pour les spécifications d'évacuation. Il est nécessaire de bien réinstaller et receller l'évacuation après avoir exécuté l'entretien du système de prise d'air.

Serial Number / N° de Série: **XXXXX** W385-XXXX

**MODEL / MODÈLE**  
 9700539 (WSL)  4001658 (NAC)  4001657 (NGZ)  4001659 (WUSA)

**Altitude**  
 XXXXX  XXXXX  XXXXX  XXXXX  
 0-XXXXX (0-XXXXm)  XXXXX  XXXXX  XXXXX  
 Elevation  XXXXX  XXXXX  
 Altitude  XXXXX  XXXXX

**Input**  XXXXX  XXXXX  XXXXX  XXXXX  
**Reduced Input**  XXXXX  XXXXX  XXXXX  XXXXX  
 P4  XXXXX  XXXXX  XXXXX  XXXXX

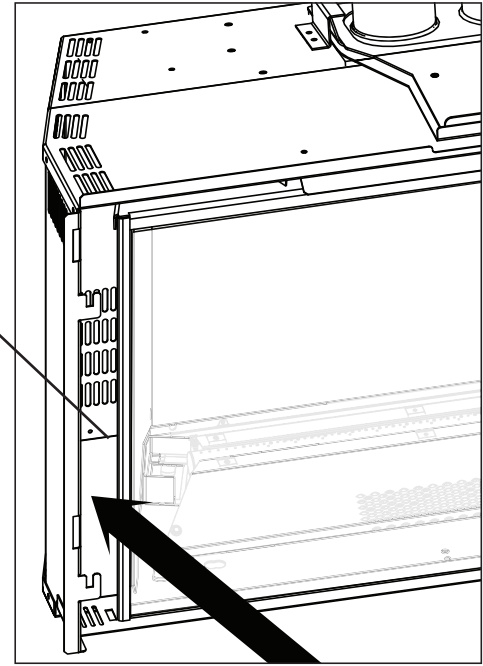
**Manifold Pressure:** 3.5" w.c. (NG)  XXXXX  XXXXX  XXXXX  XXXXX  
**Minimum Supply Pressure:** 4.5" w.c. (NG)  XXXXX  XXXXX  XXXXX  XXXXX  
**Maximum Supply Pressure:** 7" w.c. (NG)  XXXXX  XXXXX  XXXXX  XXXXX  
**Pressure at Collector:** 3.5" d'une colonne d'eau (GN)  XXXXX  XXXXX  XXXXX  XXXXX  
**Pression d'Alimentation Min.:** 4.5" d'une colonne d'eau (GN)  XXXXX  XXXXX  XXXXX  XXXXX  
**Pression d'Alimentation Max.:** 7" d'une colonne d'eau (GN)  XXXXX  XXXXX  XXXXX  XXXXX

**Minimum clearance to combustible materials:** Top, sides & back: per standards for framing and finishing materials. For non-combustible framing and finishing materials, see installation manual.  
**Décalage minimum aux matériaux combustibles:** Devant, côtés et arrière: selon les règlements d'agencement pour les matériaux de finition. Pour les matériaux de finition non combustibles, voir le manuel de l'utilisateur.

**Top X"**  XXXXX  XXXXX  XXXXX  XXXXX  
**Floor X"**  XXXXX  XXXXX  XXXXX  XXXXX  
**Sides X"**  XXXXX  XXXXX  XXXXX  XXXXX  
**Back X"**  XXXXX  XXXXX  XXXXX  XXXXX  
**Vent top X"**  XXXXX  XXXXX  XXXXX  XXXXX  
**Vent sides & bottom X"**  XXXXX  XXXXX  XXXXX  XXXXX  
**Recessed depth X"**  XXXXX  XXXXX  XXXXX  XXXXX

**\*\*\* Manes X"** from appliance opening  
 \*\*\* Maximum horizontal extension X" See installation manual for greater extensions, minimum vent lengths and maximum vent lengths.  
 \*\*\* Lésion horizontale maximale X" Référez au manuel d'installation pour des extensions plus grandes, les longueurs d'évacuation minimales et maximales.  
 \*\*\* Spécifications électriques: 115V 60Hz. Moins de 12 ampères.

**WOLF STEEL LTD.** 24 Napoleon Road, Barrie, ON, L4M 0G8 Canada



Left side view of appliance (TDIG3-1 illustrated)

**note:**  
 The rating plate must remain with the appliance at all times. It must not be removed.

This illustration is for reference only. Refer to the rating plate on the appliance for accurate information.



### 1.3 operating and lighting instructions

#### TDI3E-1

**OPERATING INSTRUCTIONS / INSTRUCTIONS D'OPERATION**  
**FOR YOUR SAFETY READ BEFORE OPERATING / POUR VOTRE SECURITE LIRE AVANT DE FAIRE FONCTIONNER**

**WARNING:** DO NOT TURN ON IF CHILDREN OR OTHER AT RISK INDIVIDUALS ARE NEAR THE APPLIANCE. IF YOU DO NOT FOLLOW THESE INSTRUCTIONS EXACTLY A FIRE OR EXPLOSION MAY RESULT CAUSING PROPERTY DAMAGE, PERSONAL INJURY OR LOSS OF LIFE. INITIAL LIGHTING OF THE PILOT AND MAIN BURNERS MUST BE DONE WITH THE GLASS DOOR OFF. DO NOT CONNECT VALVE OR WALL SWITCH TO ELECTRICITY. SEE INSTALLATION INSTRUCTIONS.

**ATTENTION:** NE PAS ALLUMER SI DES ENFANTS OU D'AUTRES INDIVIDUS A RISQUE SONT A PROXIMITE DU FOYER. QUICONQUE NE RESPECTE PAS A LA LETTRE LES INSTRUCTIONS DANS LA PRESENTE NOTICE, RISQUE DE DECLENCHER UN INCENDIE OU UN EXPLOSION, ENTRAINANT DES DOMMAGES, DES BLESSURES OU LA MORT. L'ALLUMAGE INITIAL DE LA VELLEUSE ET DU BROULEUR PRINCIPAL DOIT SE FAIRE AVEC LA PORTE VITREE ENLEVEE. NE RACCORDEZ PAS LA SOUPEPE A L'ELECTRICITE. CONSULTEZ LES INSTRUCTIONS D'INSTALLATION.

**A. THIS APPLIANCE IS EQUIPPED WITH AN IGNITION DEVICE WHICH AUTOMATICALLY LIGHTS THE PILOT. DO NOT TRY TO LIGHT BY HAND.**  
**B. BEFORE OPERATING, SMELL ALL AROUND THE APPLIANCE AREA FOR GAS AND NEXT TO THE FLOOR BECAUSE SOME GASES ARE HEAVIER THAN AIR AND WILL SETTLE ON THE FLOOR.**

**WHAT TO DO IF YOU SMELL GAS:**  
 • DO NOT TOUCH ANY ELECTRICAL SWITCH. DO NOT USE ANY PHONE IN YOUR BUILDING.  
 • DO NOT TRY TO LIGHT ANY APPLIANCE.  
 • IMMEDIATELY CALL YOUR GAS SUPPLIER FROM A NEIGHBOUR'S PHONE. FOLLOW THE GAS SUPPLIER'S INSTRUCTIONS.  
 • IF YOU CANNOT REACH YOUR GAS SUPPLIER, CALL THE FIRE DEPARTMENT.  
 • DO NOT TRY TO REPAIR ANY PART OF THIS ASSEMBLY. CALL A QUALIFIED SERVICE TECHNICIAN. FORCE OR ATTEMPTED REPAIR MAY RESULT IN A FIRE OR EXPLOSION.  
 • DO NOT USE THIS APPLIANCE IF ANY PART HAS BEEN UNDER WATER. IMMEDIATELY CALL A QUALIFIED SERVICE TECHNICIAN TO INSPECT THE APPLIANCE AND REPLACE ANY PART OF THE CONTROL SYSTEM AND ANY GAS CONTROL WHICH HAS BEEN UNDER WATER.

**CET APPAREIL EST MUNI D'UN DISPOSITIF D'ALLUMAGE QUI ALLUME AUTOMATICQUEMENT LA VELLEUSE. NE TENTEZ PAS ALLUMER LA VELLEUSE MANUELLEMENT.**  
**B. AVANT DE FAIRE FONCTIONNER, RENEVLEZ TOUT AROUND DE L'APPAREIL POUR DECELER UN ODEUR DE GAZ. RENEVLEZ PRES DU PLANCHER, CAR CERTAINS GAZ SONT PLUS LOURDS QUE L'AIR ET PEUVENT S'ACCUMULER AU NIVEAU DU SOL.**

**QUE FAIRE SI VOUS DETECTEZ UNE ODEUR DE GAZ:**  
 • COUPEZ L'ALIMENTATION DE GAZ PRINCIPALE.  
 • NE PAS TENTER D'ALLUMER D'APPAREIL.  
 • NE TOUCHEZ A AUCUN INTERRUPTEUR. NE PAS VOUS SERVIR DES TELEPHONES DE TRAVAIL DANS LE BATIMENT.  
 • APPELEZ IMMEDIATEMENT VOTRE FOURNISSEUR DE GAZ DEPUIS UN VOISIN. SUIVREZ LES INSTRUCTIONS DU FOURNISSEUR.  
 • SI VOUS NE POUVEZ REJONDRE LE FOURNISSEUR APPELEZ LE SERVICE DES INCENDIES.  
 • NESSAYEZ PAS DE REPARER AUCUNE PIECE DE CET ASSEMBLAGE. APPELEZ UN TECHNICIEN QUALIFIE. FORCER OU TENTER DE REPARER L'ASSEMBLAGE POURRAIT CAUSER UN FEU OU UNE EXPLOSION.  
 • N'UTILISEZ PAS CET APPAREIL S'IL A ETE PLONGE DANS L'EAU. MEME PARTIELLEMENT. FAITES INSPECTER L'APPAREIL PAR UN TECHNICIEN QUALIFIE ET REMPLACEZ TOUTE PARTIE DU SYSTEME DE CONTROLE ET TOUTE COMMANDE QUI ONT ETE PLONGES DANS L'EAU.

W385-0460 / E

**LIGHTING INSTRUCTIONS / INSTRUCTIONS D'ALLUMAGE**

- STOP! READ ALL INFORMATION OF OPERATING AND LIGHTING INSTRUCTIONS BEFORE PROCEEDING.
- TURN OFF ELECTRICAL POWER TO THE APPLIANCE.
- THIS APPLIANCE IS EQUIPPED WITH AN IGNITION DEVICE WHICH AUTOMATICALLY LIGHTS THE PILOT. DO NOT TRY TO LIGHT THE PILOT BY HAND.
- OPEN THE GLASS DOOR.
- TURN MANUAL SHUTOFF VALVE COUNTERCLOCKWISE (A) TO OFF.
- WAIT FIVE (5) MINUTES TO CLEAR OUT ANY GAS. IF YOU SMELL GAS, INCLUDING NEAR THE FLOOR, STOP! FOLLOW "B" OF THE OPERATING INSTRUCTIONS. IF YOU DON'T SMELL GAS, GO TO THE NEXT STEP.
- TURN MANUAL SHUTOFF VALVE COUNTERCLOCKWISE (A) TO ON.
- CLOSE THE GLASS DOOR.
- TURN ON ALL ELECTRICAL POWER TO THE APPLIANCE.
- TURN ON MAIN BURNER.

- ARRÊTEZ LISEZ TOUTES LES INSTRUCTIONS DE FONCTIONNEMENT ET D'ALLUMAGE AVANT DE CONTINUER.
- COUPEZ L'ALIMENTATION ELECTRIQUE A L'APPAREIL.
- CET APPAREIL EST MUNI D'UN DISPOSITIF D'ALLUMAGE QUI ALLUME LA VELLEUSE AUTOMATICQUEMENT. NESSAYEZ PAS D'ALLUMER LA VELLEUSE MANUELLEMENT.
- OUVREZ LA PORTE VITREE.
- TOURNEZ LA SOUPEPE DE SECTIONNEMENT MANUELLE VERS LA DROITE (A) A « OFF ».
- ATTENDEZ CINQ (5) MINUTES POUR QUE LE GAZ PUISSE SE CHAPPER. SI VOUS DETECTEZ UNE ODEUR DE GAZ, ARRÊTEZ-VOUS. SUIVREZ « B » DANS LES INSTRUCTIONS DE FONCTIONNEMENT. S'IL N'Y A PAS D'ODEUR DE GAZ, PASSES A L'ETAPPE SUIVANTE.
- TOURNEZ LA SOUPEPE DE SECTIONNEMENT MANUELLE VERS LA GAUCHE (A) A « ON ».
- FERMEZ LA PORTE VITREE.
- RETABLISSEZ L'ALIMENTATION ELECTRIQUE AU FOYER.
- ALLUMER LE BROULEUR PRINCIPAL.

**TO TURN OFF GAS / INSTRUCTIONS POUR COUPER LE GAZ**

- TURN OFF ALL ELECTRICAL POWER TO THE APPLIANCE IF SERVICE IS TO BE PERFORMED.
- TURN MANUAL SHUTOFF VALVE COUNTERCLOCKWISE (A) TO OFF. DO NOT FORCE.
- COUPEZ L'ALIMENTATION ELECTRIQUE AU FOYER SI UN TRAVAIL D'ENTRETIEN DOIT SE FAIRE.
- TOURNEZ LA SOUPEPE D'ARRÊT MANUELLE VERS LA DROITE (A) A « OFF ». NE FORCEZ PAS.

W385-0460 / E

#### TDI3-1 / TDIG3-1 / TDIX3-1

**OPERATING INSTRUCTIONS / INSTRUCTIONS D'OPERATION**  
**FOR YOUR SAFETY READ BEFORE OPERATING / POUR VOTRE SECURITE LIRE AVANT DE FAIRE FONCTIONNER**

**WARNING:** DO NOT TURN ON IF CHILDREN OR OTHER AT RISK INDIVIDUALS ARE NEAR THE APPLIANCE. IF YOU DO NOT FOLLOW THESE INSTRUCTIONS EXACTLY A FIRE OR EXPLOSION MAY RESULT CAUSING PROPERTY DAMAGE, PERSONAL INJURY OR LOSS OF LIFE. INITIAL LIGHTING OF THE PILOT AND MAIN BURNERS MUST BE DONE WITH THE GLASS DOOR OFF. DO NOT CONNECT VALVE OR WALL SWITCH TO ELECTRICITY. SEE INSTALLATION INSTRUCTIONS.

**ATTENTION:** NE PAS ALLUMER SI DES ENFANTS OU D'AUTRES INDIVIDUS A RISQUE SONT A PROXIMITE DU FOYER. QUICONQUE NE RESPECTE PAS A LA LETTRE LES INSTRUCTIONS DANS LA PRESENTE NOTICE, RISQUE DE DECLENCHER UN INCENDIE OU UN EXPLOSION, ENTRAINANT DES DOMMAGES, DES BLESSURES OU LA MORT. L'ALLUMAGE INITIAL DE LA VELLEUSE ET DU BROULEUR PRINCIPAL DOIT SE FAIRE AVEC LA PORTE VITREE ENLEVEE. NE RACCORDEZ PAS LA SOUPEPE A L'ELECTRICITE. CONSULTEZ LES INSTRUCTIONS D'INSTALLATION.

**A. THIS APPLIANCE IS EQUIPPED WITH AN IGNITION DEVICE WHICH AUTOMATICALLY LIGHTS THE PILOT. DO NOT TRY TO LIGHT BY HAND.**  
**B. BEFORE OPERATING, SMELL ALL AROUND THE APPLIANCE AREA FOR GAS AND NEXT TO THE FLOOR BECAUSE SOME GASES ARE HEAVIER THAN AIR AND WILL SETTLE ON THE FLOOR.**

**WHAT TO DO IF YOU SMELL GAS:**  
 • DO NOT TOUCH ANY ELECTRICAL SWITCH. DO NOT USE ANY PHONE IN YOUR BUILDING.  
 • DO NOT TRY TO LIGHT ANY APPLIANCE.  
 • IMMEDIATELY CALL YOUR GAS SUPPLIER FROM A NEIGHBOUR'S PHONE.  
 • FOLLOW THE GAS SUPPLIER'S INSTRUCTIONS.  
 • IF YOU CANNOT REACH YOUR GAS SUPPLIER, CALL THE FIRE DEPARTMENT.  
 • DO NOT TRY TO REPAIR ANY PART OF THIS ASSEMBLY. CALL A QUALIFIED SERVICE TECHNICIAN. FORCE OR ATTEMPTED REPAIR MAY RESULT IN A FIRE OR EXPLOSION.  
 • DO NOT USE THIS APPLIANCE IF ANY PART OF IT HAS BEEN UNDER WATER. IMMEDIATELY CALL A QUALIFIED SERVICE TECHNICIAN TO INSPECT THE APPLIANCE AND REPLACE ANY PART OF THE CONTROL SYSTEM AND ANY GAS CONTROL WHICH HAS BEEN UNDER WATER.

**CET APPAREIL EST MUNI D'UN DISPOSITIF D'ALLUMAGE QUI ALLUME AUTOMATICQUEMENT LA VELLEUSE. NE TENTEZ PAS ALLUMER LA VELLEUSE MANUELLEMENT.**  
**B. AVANT DE FAIRE FONCTIONNER, RENEVLEZ TOUT AROUND DE L'APPAREIL POUR DECELER UN ODEUR DE GAZ. RENEVLEZ PRES DU PLANCHER, CAR CERTAINS GAZ SONT PLUS LOURDS QUE L'AIR ET PEUVENT S'ACCUMULER AU NIVEAU DU SOL.**

**QUE FAIRE SI VOUS DETECTEZ UNE ODEUR DE GAZ:**  
 • COUPEZ ENTIEREMENT L'ALIMENTATION DE GAZ PRINCIPALE.  
 • NE PAS TENTER D'ALLUMER D'APPAREIL.  
 • NE TOUCHEZ PAS A AUCUN INTERRUPTEUR. NE PAS VOUS SERVIR DES TELEPHONES SE TROUVANT DANS LE BATIMENT.  
 • APPELEZ IMMEDIATEMENT VOTRE FOURNISSEUR DE GAZ DEPUIS UN VOISIN. SUIVREZ LES INSTRUCTIONS DU FOURNISSEUR.  
 • SI VOUS NE POUVEZ REJONDRE LE FOURNISSEUR APPELEZ LE SERVICE DES INCENDIES.  
 • NESSAYEZ PAS DE REPARER AUCUNE PIECE DE CET ASSEMBLAGE. APPELEZ UN TECHNICIEN QUALIFIE. FORCER OU TENTER DE REPARER L'ASSEMBLAGE POURRAIT CAUSER UN FEU OU UNE EXPLOSION.  
 • N'UTILISEZ PAS CET APPAREIL S'IL A ETE PLONGE DANS L'EAU. MEME PARTIELLEMENT. FAITES INSPECTER L'APPAREIL PAR UN TECHNICIEN QUALIFIE ET REMPLACEZ TOUTE PARTIE DU SYSTEME DE CONTROLE ET TOUTE COMMANDE QUI ONT ETE PLONGES DANS L'EAU.

W385-0462 / C

**LIGHTING INSTRUCTIONS / INSTRUCTIONS D'ALLUMAGE**

- STOP! READ THE ABOVE SAFETY INFORMATION ON THIS LABEL.
- REMOVE THE BATTERIES FROM THE TRANSMITTER.
- TURN OFF ELECTRIC POWER TO THE APPLIANCE.
- THIS RECIPE IS EQUIPPED WITH AN IGNITION DEVICE WHICH AUTOMATICALLY LIGHTS THE PILOT BY HAND.
- OPEN THE GLASS DOOR.
- TURN MANUAL SHUTOFF VALVE COUNTERCLOCKWISE (A) TO OFF. LOCATED BEHIND THE ACCESS PANEL.
- WAIT FIVE (5) MINUTES TO CLEAR OUT ANY GAS. IF YOU SMELL GAS INCLUDING NEAR THE FLOOR, STOP! FOLLOW "B" IN THE ABOVE SAFETY INFORMATION ON THIS LABEL. IF YOU DON'T SMELL GAS, GO TO THE NEXT STEP.
- TURN MANUAL SHUTOFF VALVE COUNTERCLOCKWISE (A) TO "ON".
- TURN ON ALL ELECTRICAL POWER TO THE APPLIANCE AND REINSTALL BATTERIES INTO THE TRANSMITTER.
- PUSH THE "ON" BUTTON ON THE TRANSMITTER. YOU SHOULD HEAR A BUZZER BEEP FROM THE RECEIVER WHICH INDICATES COMMUNICATION. REFER TO APPLIANCE OPERATING FOR REMOTE ACTIVATION.

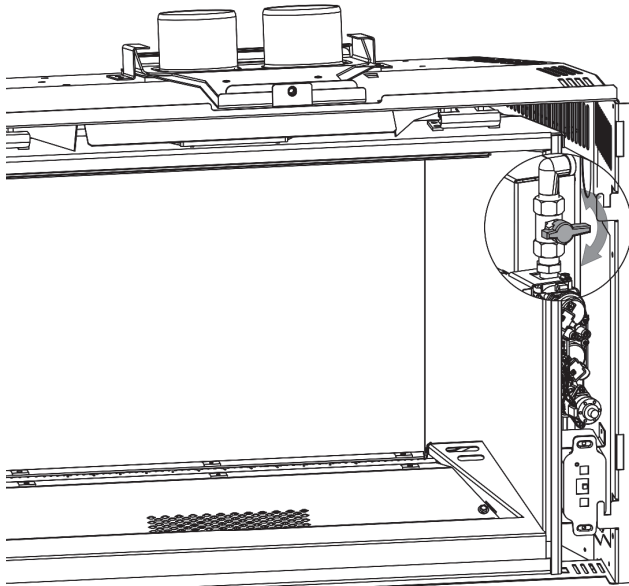
- ARRÊTEZ LISEZ LES RECOMMANDATIONS DE SECURITE DE CETTE ÉTIQUETTE.
- RETOUVEZ LES PILES DE LA TELECOMMANDE.
- COUPEZ L'ALIMENTATION ELECTRIQUE A L'APPAREIL.
- CET APPAREIL EST MUNI D'UN DISPOSITIF D'ALLUMAGE QUI ALLUME LA VELLEUSE AUTOMATICQUEMENT. NESSAYEZ PAS D'ALLUMER LA VELLEUSE MANUELLEMENT.
- OUVREZ LA PORTE VITREE.
- TOURNEZ LA SOUPEPE DE SECTIONNEMENT MANUELLE VERS LA DROITE (A) A « OFF ». S'IL Y A UNE ODEUR DE GAZ, ARRÊTEZ-VOUS. SUIVREZ « B » DANS LES INSTRUCTIONS DE SECURITE DE CETTE ÉTIQUETTE. S'IL N'Y A PAS D'ODEUR DE GAZ, PASSES A L'ETAPPE SUIVANTE. TOUVEZ LA SOUPEPE DE SECTIONNEMENT MANUELLE VERS LA GAUCHE (A) A « ON ».
- FERMEZ LA PORTE VITREE.
- TOURNEZ L'INTERNEUR DE L'APPAREIL ET L'INSERTEZ LA BATTERIE A DISTANCE MURALE "ON".
- ET REPARALLEZ LES PILES.
- PUSSEZ LE BOUTON "ON" DE LA TELECOMMANDE. VOUS DEVREZ ENTENDRE UN BIP DE LA RECEPTION. REFEREZ-VOUS A LA COMMUNICATION EST BIEN (POUR ACTIVER LE RECEPTEUR, REFEREZ-VOUS A LA SECTION FONCTIONNEMENT DU FOYER).

**TO TURN OFF GAS / INSTRUCTIONS POUR COUPER LE GAZ**

- TURN OFF ALL ELECTRICAL POWER TO THE APPLIANCE IF SERVICE IS TO BE PERFORMED.
- TURN MANUAL SHUTOFF VALVE COUNTERCLOCKWISE (A) TO OFF. DO NOT FORCE.
- COUPEZ L'ALIMENTATION ELECTRIQUE AU FOYER SI UN TRAVAIL D'ENTRETIEN DOIT SE FAIRE. POUR ACCEDER A LA SOUPEPE D'ARRÊT MANUELLE, ENLEVEZ LA PORTE D'ACCES SITUÉE A L'INTERIEUR DU FOYER.
- TOURNEZ LA SOUPEPE D'ARRÊT MANUELLE VERS LA DROITE (A) A « OFF ». NE FORCEZ PAS.

W385-0462 / D

### 1.4 shut-off valve



TDIG3-1 Illustrated

The shut-off valve is in the OFF position when the handle is horizontal (see illustration).

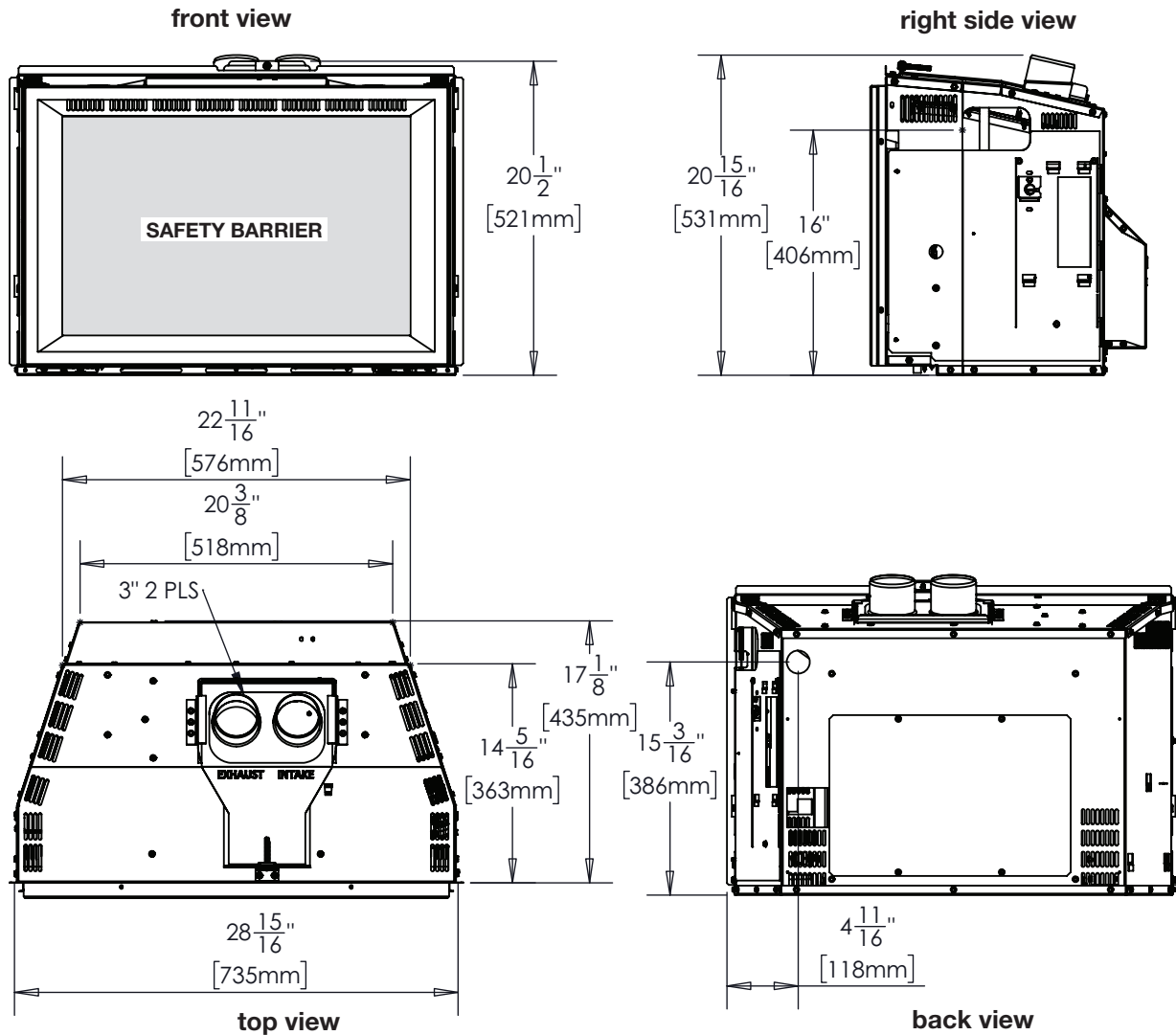
The shut-off valve is in the ON position when the handle is vertical.

**note:**

A tool has been provided to shut off the gas.

# general information

## 1.5 dimensions



## 1.6 minimum clearance to combustibles

This appliance must be recessed into a vented non-combustible wood-burning appliance (prefabricated or masonry) only. The minimum appliance opening size in which the appliance is to be installed is:

	TDI3-1	TDI3E-1	TDIG3-1	TDIX3-1
<b>Height</b>		21" (53.3cm)		
<b>Width</b>		29" (73.7cm)		
<b>Depth</b>	14 3/8" (36.6cm) + 2 3/4" (7cm) for optional blower		17 1/8" (43.5cm)	

### The minimum allowable chimney flue size is 6" (152mm) round.

The minimum distance from the bottom of a combustible mantel projecting 3" (76mm) maximum from the wall to the top of the appliance is 12" (30.4cm) (see "minimum mantel clearances" section).

#### note:

A non-combustible hearth must protrude a minimum of 12" (30.5cm) from the appliance.

A combustible hearth may be used if the appliance is raised 4" (102mm) above the hearth or if a Wolf Steel raiser box is installed.

### **! WARNING**

- Risk of fire! Maintain specified air space clearances to vent pipe and appliance.

Clean out ashes from the inside of the wood-burning appliance. Make sure that the chimney and wood-burning appliance are in a clean and sound condition and constructed of non-combustible materials. If necessary have any repair work done by a qualified person before installing the insert. Remove the existing appliance damper or lock into an open position.

Using screws, attach the appliance warning tag to the inside of the firebox of the appliance into which the insert is being installed.

The sheet-metal parts of the appliance, in which the gas appliance insert is to be installed, must not be cut.

If the wood-burning factory-built appliance has no gas access hole(s) provided, an access hole of 1½ inch (38.1mm) or less may be drilled through the lower sides or bottom of the appliance in a proper workman like manner. This access hole must be plugged with non-combustible insulation after the gas supply line has been installed.

Ensure that existing chimney cleanouts fit properly.

The refractory, glass doors, screen rails, screen mesh and log grates may be removed from the existing appliance before installing the gas appliance insert.

Smoke shelves, shields and baffles may be removed if attached by mechanical fasteners.

The ventilation openings in the existing appliance may be obstructed by the backer plates, aluminium trim etc. but these parts are not to be applied so as to have an airtight seal.

**WARNING:** THIS FIREPLACE HAS BEEN CONVERTED FOR USE WITH A GAS FIREPLACE INSERT ONLY AND CANNOT BE USED FOR BURNING WOOD OR SOLID FUELS UNLESS ALL ORIGINAL PARTS HAVE BEEN REPLACED AND THE FIREPLACE IS RE-APPROVED BY THE AUTHORITY HAVING JURISDICTION.

**ATTENTION:** CE FOYER A ETE CONVERTI AFIN D'ETRE UTILISE SEULEMENT COMME FOYER ENCASTRE AU GAZ ET NE PEUT ETRE UTILISE POUR BRULER DU BOIS OU TOUT AUTRE COMBUSTIBLE SOLIDE, SANS QUE TOUTES LES PIECES ORIGINALES AIENT ETE REMPLACEES ET QUE LE FOYER SOIT APPROUVE DE NOUVEAU PAR LES AUTORITES AYANT JURISDICTION.

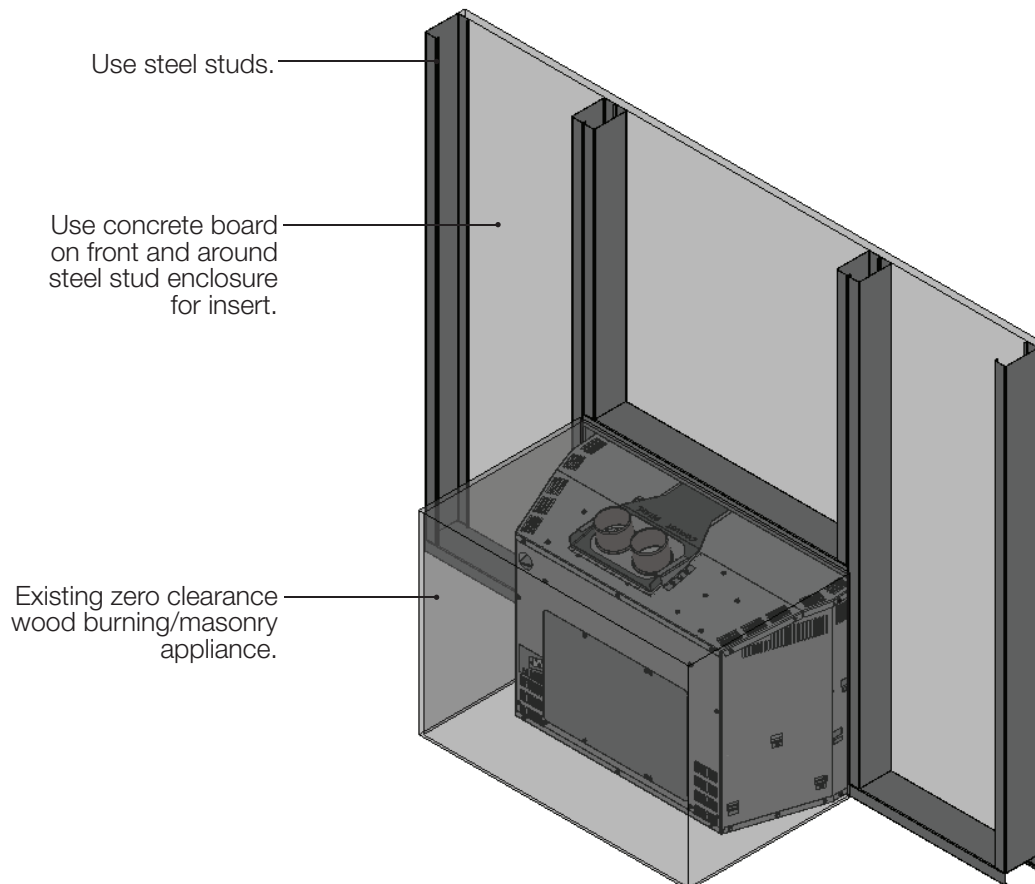
**ADVERTENCIA:** ESTA CHIMENEA SE REMODELO PARA USARSE SOLO CON UNA INSERCIÓN DE CHIMENEA A GAS Y NO PUEDE USARSE PARA QUEMAR MADERA NI COMBUSTIBLES SÓLIDOS, A MENOS QUE SE HAYAN REEMPLAZADO TODAS LAS PIEZAS ORIGINALES, Y LA AUTORIDAD JURISDICCIONAL LA HAYA VUELTO A APROBAR.

W385-0199\_B

### 2.1 optional non-combustible installation

Brick facing may be removed and replaced with non-combustible materials such as steel studs and concrete board. The opening between the firebox and non-combustible materials must be sealed so as the heat cannot run between the face of the wood fireplace and the re-facing materials.

Insert must be pulled out so the appliance is flush with the finishing materials and the safety barrier is proud of the finished non-combustible enclosure (wood burning appliance).



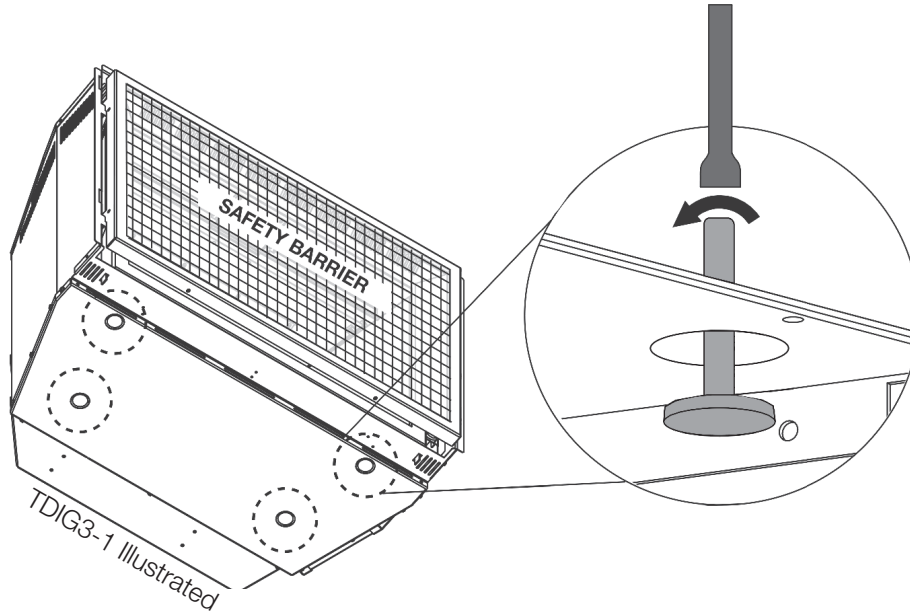
# installation planning

## 2.2 levelling the appliance

Have an authorized dealer install the appliance. If you install the appliance yourself, have your dealer review your installation plans and/or installation. Draw out a detailed plan of the installation including dimensions and verify the dimensions with the requirements listed in this manual.

You may wish to adjust the appliance position slightly to ensure the vent does not intersect with a framing member. Appliance must be positioned so that no combustibles are within, or can swing within (e.g. drapes, doors), 48" (121.9cm) of the front of the appliance.

**Inserts only:** This appliance is equipped with 4 levelling legs. Level the appliance before installing into the final position, as levelling will eliminate rocking or excessive noise when the fan is in operation. Once the appliance is level, move it partially into place to allow for all connections to be made. It is not practical to level the appliance once it has been installed. Determine the required depth prior to installing the appliance and adjust the levelling screws accordingly.



### 2.3 chimney connection

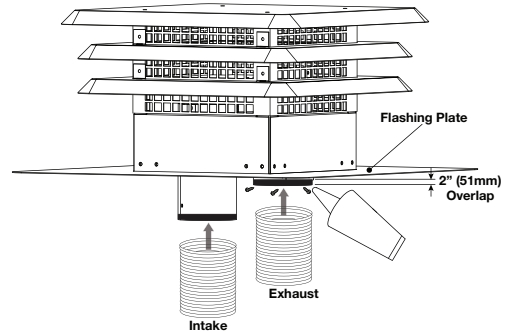
Chimney installation must conform to both national and local code requirements. The chimney must be lined with one 3" (76mm) diameter liner for intake and one 3" (76mm) diameter liner for exhaust. The minimum and maximum vent lengths are 10' (3m) and 45' (14m) respectively. Recommended kits come in 4 lengths:

<b>2x 3" (51-76mm) DOUBLE PLY ALUMINUM LINER-INLET AND EXHAUST:</b>	
GDI-320KT	VENT KIT 20FT (6M)
GDI-325KT	VENT KIT 25 FT (7M)
GDI-335KT	VENT KIT 35 FT (11M)
GDI-345KT	VENT KIT 45 FT (14M)

While the liners must be continuous from the appliance to the chimney cap, to achieve the needed length, they may be coupled, using an approved coupler.

We recommend that exhaust vents that pass through unheated spaces, such as tall exterior chimneys, be wrapped in a protective sleeve to minimize condensation and reverse flow symptoms. See "troubleshooting" section for details.

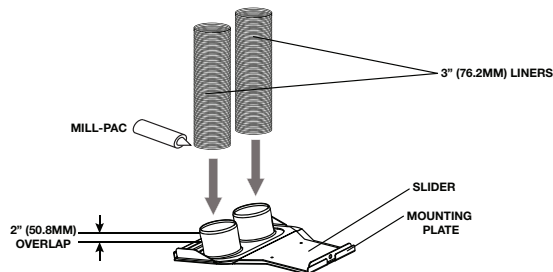
This appliance is approved for use with a 3" (76mm) exhaust and air intake.



- A. OUTSIDE:** Slip the one end of a liner a minimum of 2" (51mm) over the sleeve of the air terminal. Secure using 3 screws. Then seal the joint and screw heads with high temperature sealant. Repeat with the other liner.

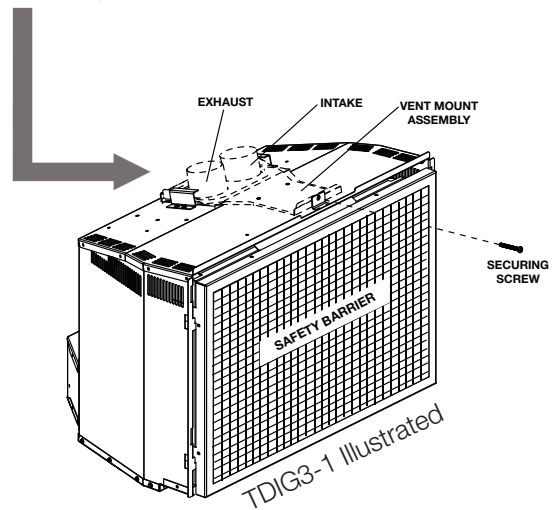
**note:**  
We recommend that the other end of the exhaust liner be marked to eliminate the exhaust liner being connected to the intake collar at the appliance.

- B.** Gently stretch the liners to the required lengths and insert into the chimney. Trim and fit the flashing plate to suit the chimney termination. Place the air terminal onto the top of the chimney. Make weather tight by sealing with caulking (not supplied). Fasten to the chimney with screws and plugs (not supplied).



- C. INSIDE:** Remove the securing screw from the front of the vent mounting assembly. Slide the vent mount assembly from the track. Route the flex liners through the slider. Attach and secure the liners to the vent mounting plate, ensuring that the marked exhaust liner is attached to the exhaust collar.

**note:**  
Prior to sliding the appliance into place, high temperature-rated insulation should be packed around the liner in the damper area to prevent air flow from entering the chimney from the home. Not doing so will have a negative impact on the efficiency of the appliance.



- D.** The appliance may now be pushed into the opening and the mounting plate assembly slid back into the track, and the securing screw started. Once the appliance is in its final position, tighten the securing screw until the slider makes contact with the front stop.

## installation planning

We recommend the following method of sealing off the damper area around the liner:

Measure the throat of the appliance and mark this shape on a piece of 24 gauge sheet metal (flue cover). Cut a 6 3/4" (171mm) hole to lie directly below the appliance flue opening. Allow 2" of material for a flange on all sides and cut to these measurements. Bend down the flanges. If you have never done this before, it might be a good idea to make a cardboard pattern and test it first. Fasten this flue cover in position as high as possible with two masonry screws per side through the flanges into the appliance.

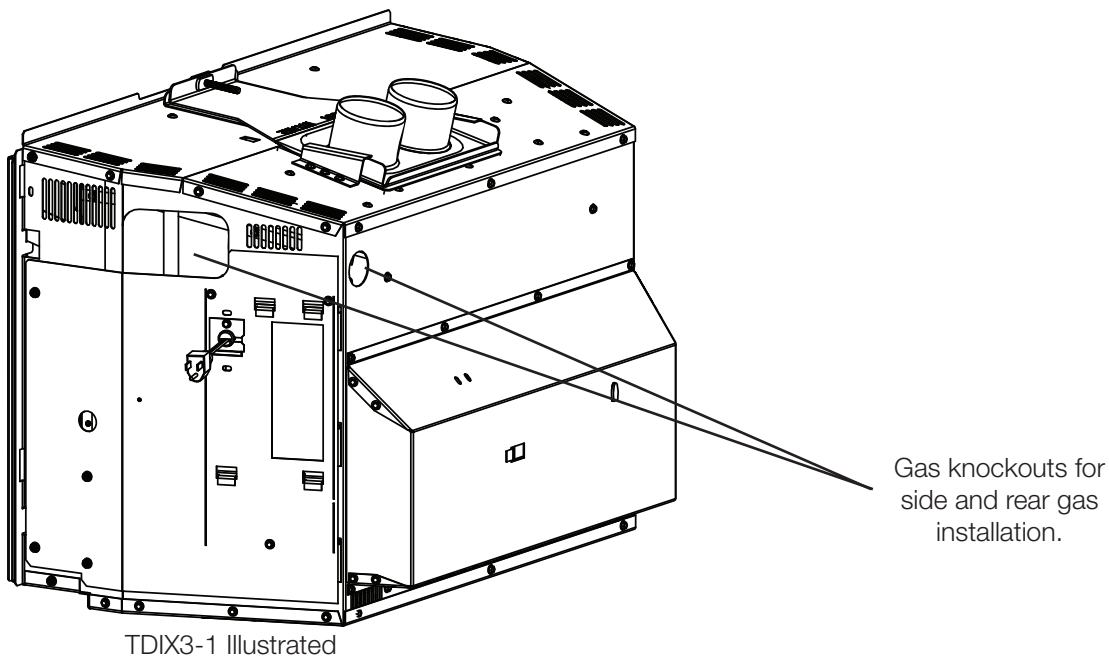
### 2.4 gas installation

#### **! WARNING**

- Risk of fire, explosion, or asphyxiation. Ensure there are no ignition sources such as sparks or open flames.
- Support gas control when attaching gas supply pipe to prevent damaging gas line.
- Always light the pilot whether for the first time or if the gas supply has run out with the glass door opened or removed. Purging of the gas supply line should be performed by a qualified service technician. Ensure that a continuous gas flow is at the burner before closing the door. Ensure adequate ventilation. For gas and electrical locations, see "dimensions" section.
- All gas connections must be contained within the appliance when complete **(gas fireplaces only)**.
- High pressure will damage valve. Disconnect gas supply piping before testing gas line at test pressures above 1/2 PSIG.
- Valve settings have been factory set, do not change.

#### **Installation and servicing to be done by a qualified installer.**

- Move the appliance into position and secure.
- This appliance is designed to accept a 1/2" (13mm) gas supply. The appliance is also equipped with a manual shut-off valve to turn off the gas supply to the appliance.
- Connect the gas supply in accordance to local codes. In the absence of local codes, install to the current CAN/CSA-B149.1 Installation Code in Canada or to the current National Fuel Gas Code, ANSI Z223.1 / NFPA 54 in the United States.
- When flexing any gas line, support the gas valve so that the lines are not bent or kinked.
- The gas line flex-connector should be installed to provide sufficient movement for shifting the burner assembly on its side to aid with servicing components.
- Check for gas leaks by brushing on a soap and water solution. **Do not use open flame.**



## **! WARNING**

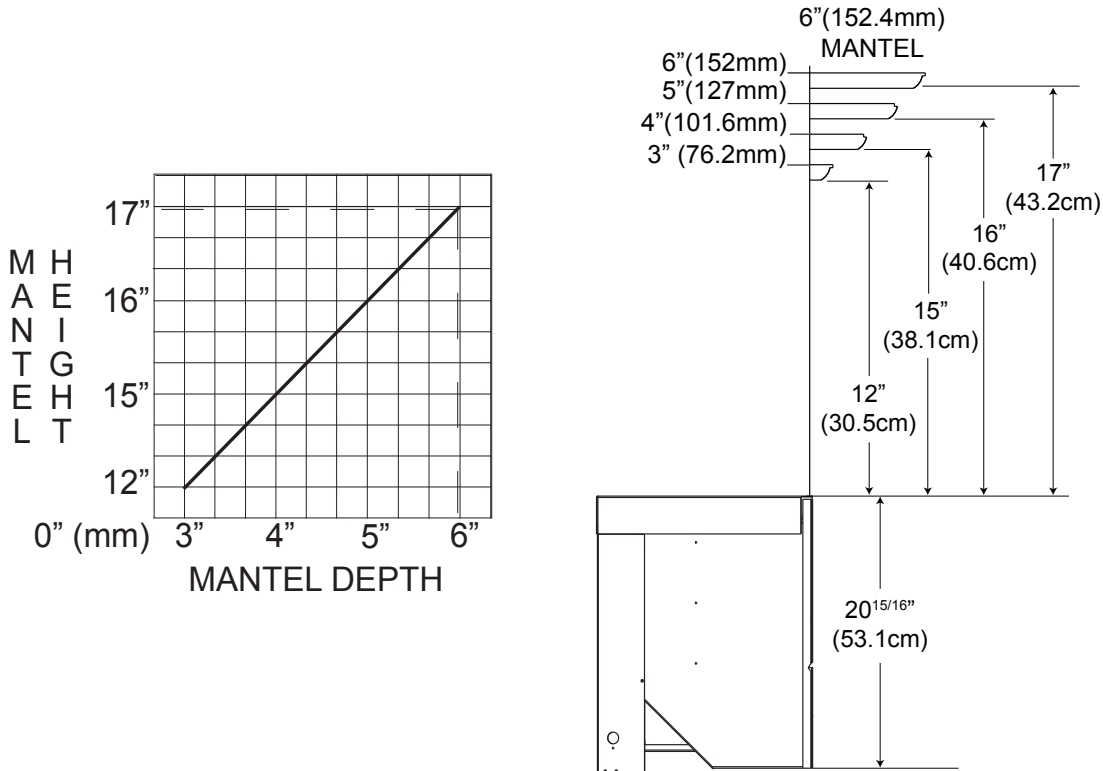
- Risk of fire!
- Never obstruct the front opening of the appliance.
- The front of the appliance must be finished with any non-combustible materials such as brick, marble, granite, etc., provided that these materials do not go below the specified dimension, as illustrated.
- Do not strike, slam, or scratch. Do not operate appliance with glass removed, cracked, or scratched.
- Facing and/or finishing material must never overhang into the appliance opening.
- The glass door assembly is a safety device designed to pivot forward when relieving excess pressure that might occur. Finishing or other materials must not be located in the opening surrounding the door as this will interfere with the doors ability to relieve pressure.
- If applicable, drywall dust will penetrate into the blower bearings, causing irreparable damage. Care must be taken to prevent drywall dust from coming into contact with the blower or its compartment. Any damage resulting from this condition is not covered by the warranty policy.

### 3.1 minimum combustible mantel clearances

## **! WARNING**

- Risk of fire. Maintain all specified air space clearances to combustibles. Failure to comply with these instructions may cause a fire or cause the appliance to overheat. Ensure all clearances (i.e. back, side, top, vent, mantel, front, etc.) are clearly maintained.
- When using paint or lacquer to finish the mantel, the paint or lacquer must be heat resistant to prevent discolouration.

Combustible mantel clearance can vary according to the mantel depth. Use the graph to help evaluate the clearance needed. These same requirements apply to any combustibles protruding on either side of the appliance.



## 3.2 safety barrier &amp; door removal / installation

**! WARNING**

- Glass may be hot. Do not touch glass until cooled.
- If equipped with door latches that are part of a safety system, they must be properly engaged. Do not operate the appliance with latches disengaged.
- Facing and/or finishing materials must not interfere with air flow through air openings, louvre openings, operation of louvres, or doors/access for service. Observe all clearances when applying combustible materials.
- Before door is removed, turn the appliance off and wait until appliance is cool to the touch. Doors are heavy and fragile so handle with care.

**A barrier designed to reduce the risk of burns from the hot viewing glass is provided with the appliance and must be installed.**

1. Before the glass door can be removed, the safety barrier must be removed. Lift the safety barrier from the 4 tabs, tilt the top forward, and remove from the appliance (**Fig. 3-1**).

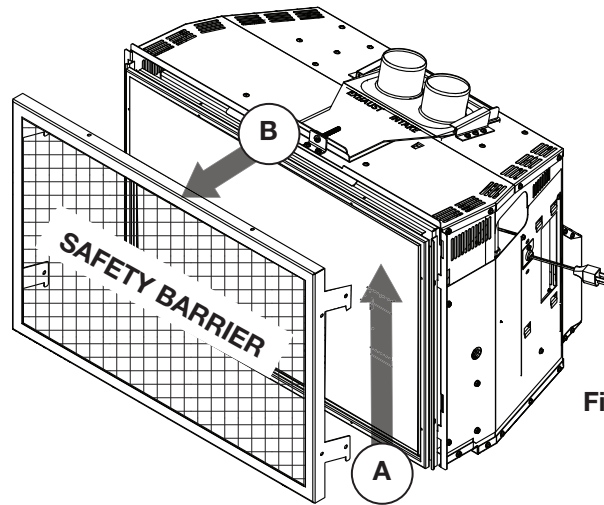


Fig. 3-1

**note:**

If applicable, the optional front must be removed to allow the door to be opened or closed.

2. Release the top left and right door latches, located at the top of the door (**Fig. 3-2**). Tilt forward and lift from slots.

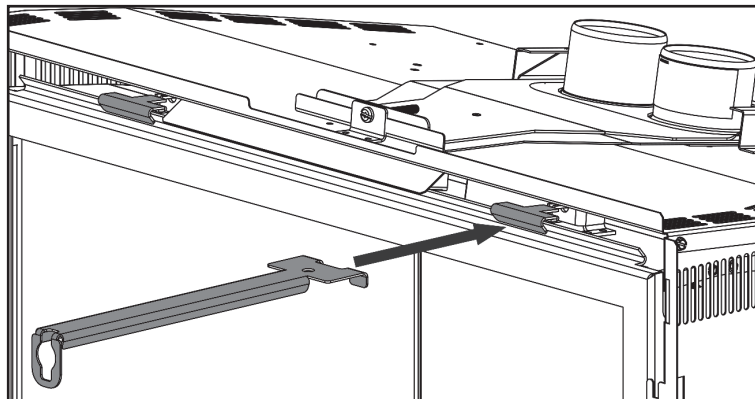


Fig. 3-2

3. Reverse these steps to re-install the safety barrier and glass door. Ensure safety barrier is installed correctly.



### 3.3 log placement

#### 3.3.1 log placement for TDI3-1 / TDI3E-1

## **! WARNING**

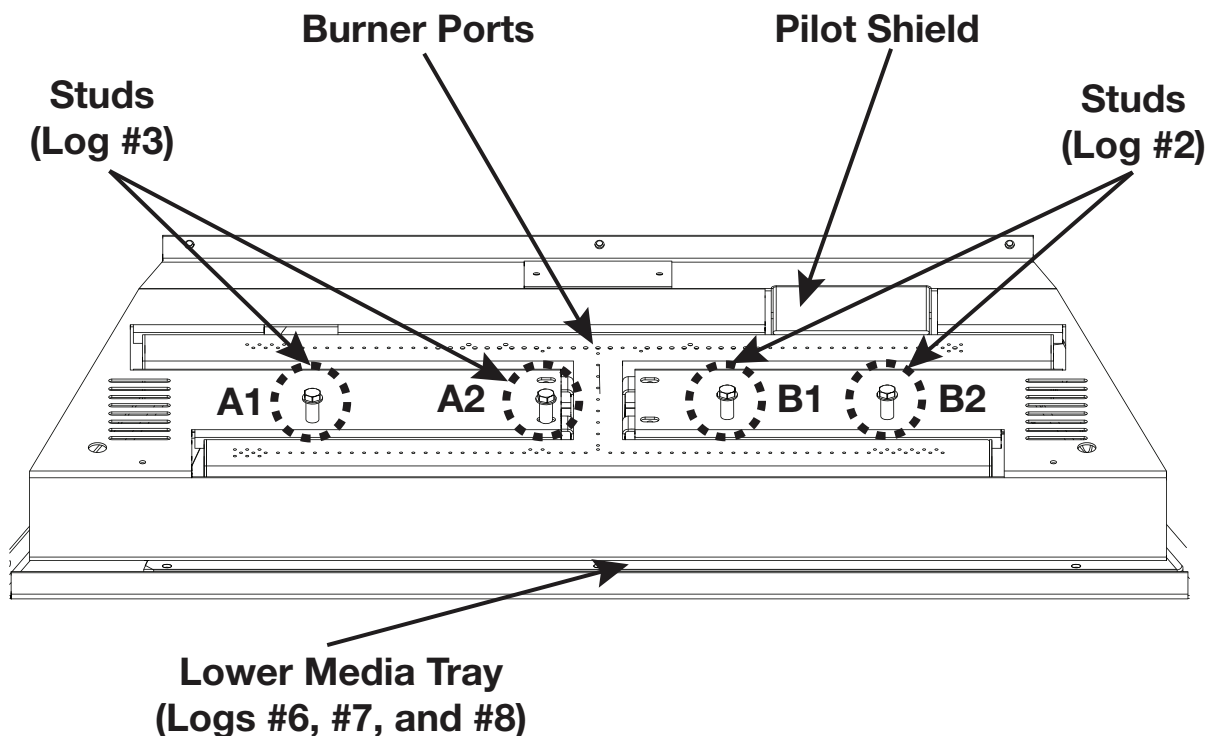
- Failure to position the logs in accordance with these diagrams or failure to use only logs specifically approved with this appliance may result in property damage or personal injury.
- Logs must be placed in their exact location in the appliance. Do not modify the proper log positions, since appliance may not function properly and delayed ignition may occur.
- The logs are fragile and should be handled with care.

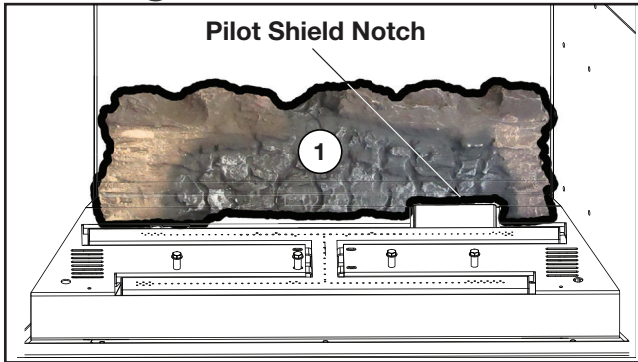
**PHAZER™** log and glowing embers, exclusive to Wolf Steel Ltd., provide a unique and realistic glowing effect that is different in every installation. Take the time to carefully position the glowing embers for a maximum glowing effect. Log colours may vary. During the initial use of the appliance, the colours will become more uniform as colour pigments burn in during the heat-activated curing process.

**note:**

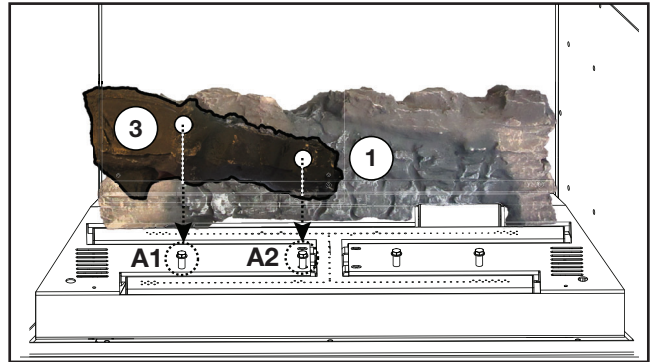
Log numbers are located on the bottom or back of the logs.

Log Number	Part Number	Description
1	W135-0778	Rear log
2	W135-0779	Right log
3	W135-0780	Left log
4	W135-0782	Left crossover log
5	W135-0781	Right crossover log
6	W135-0783	Left charcoal log
7	W135-0784	Center charcoal log
8	W135-0785	Right charcoal

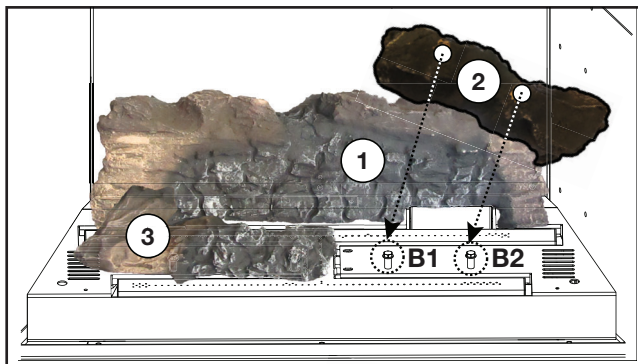




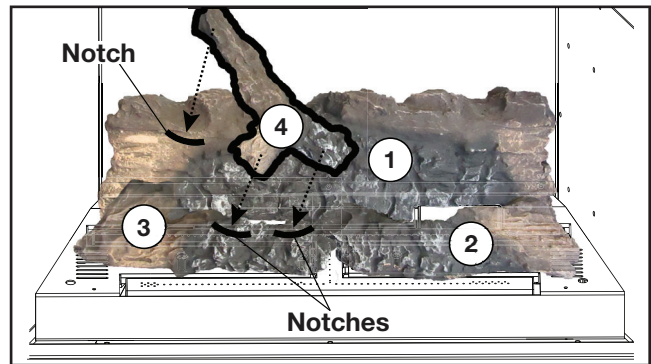
1. Place log #1 snug against the back wall, ensuring the notch fits around the pilot shield.



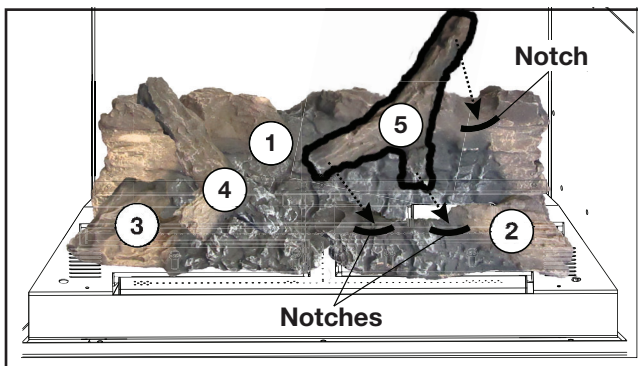
2. Place the two holes in log #3 on A1 and A2. Do not cover any burner ports.



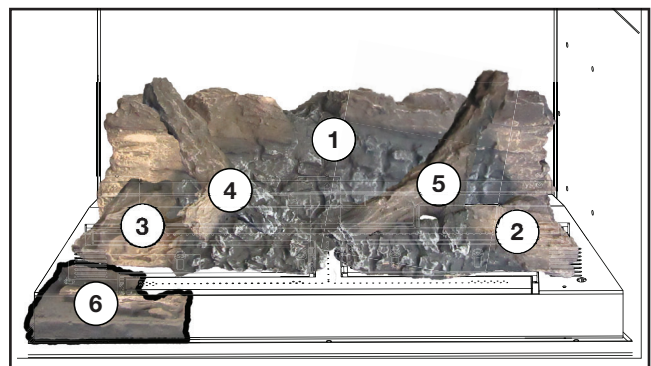
3. Place the two holes in log #2 on B1 and B2. Do not cover any burner ports.



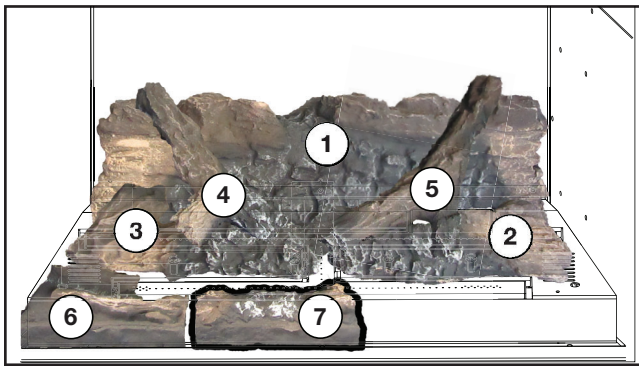
4. Place log #4 on the left-side notch of log #1 and the two notches of log #3.



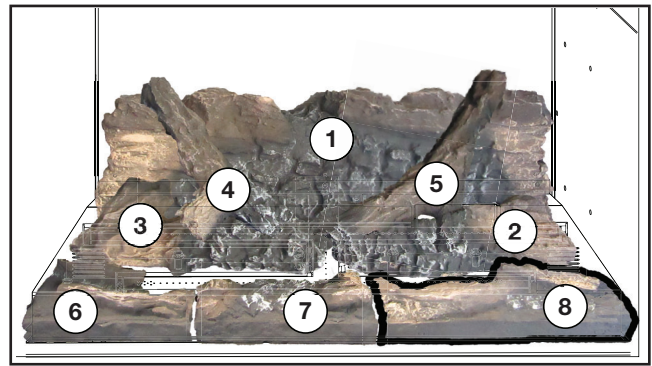
5. Place log #5 on the right-side notch of log #1 and the two notches of log #2.



6. Place log #6 along the left side of the lower media tray.



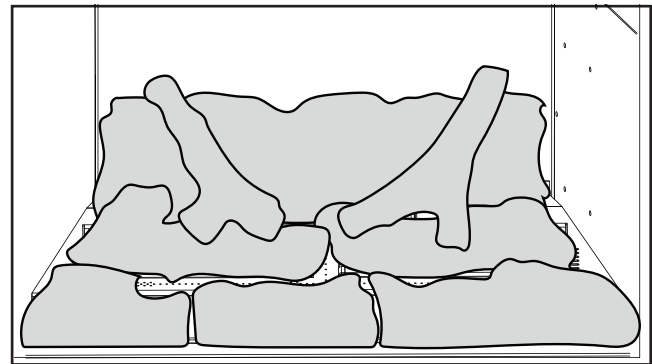
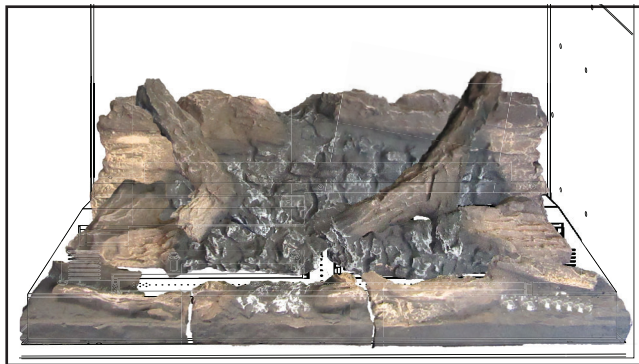
7. Place log #7 along the centre of the lower media tray.



8. Place log #8 along the right side of the lower media tray.

**note:**

Logs #6, #7, and #8 must be flush with the edge of the firebox.



## 3.3.2 log placement for TDIX3-1

**! WARNING**

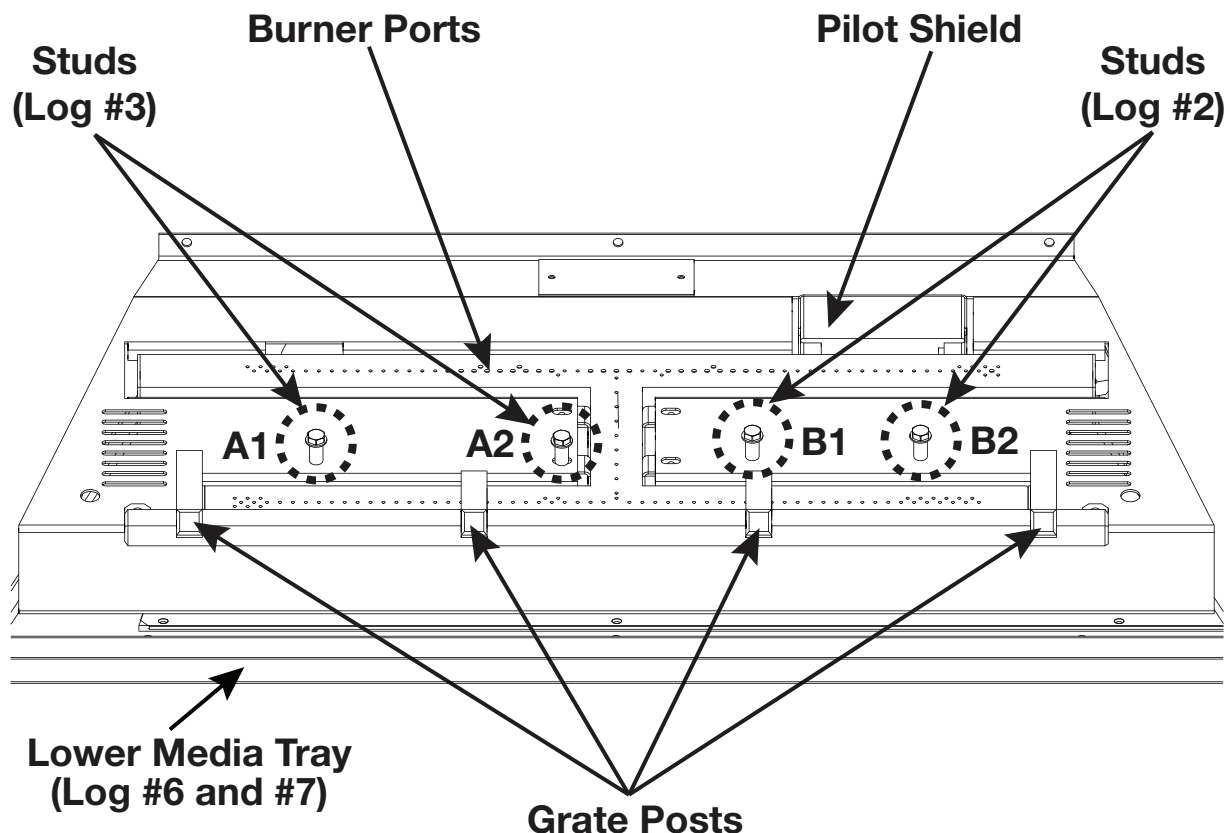
- Failure to position the logs in accordance with these diagrams or failure to use only logs specifically approved with this appliance may result in property damage or personal injury.
- Logs must be placed in their exact location in the appliance. Do not modify the proper log positions, since appliance may not function properly and delayed ignition may occur.
- The logs are fragile and should be handled with care.

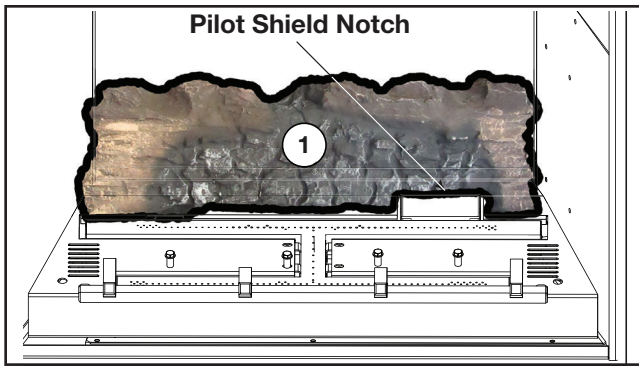
**PHAZER™** log and glowing embers, exclusive to Wolf Steel Ltd., provide a unique and realistic glowing effect that is different in every installation. Take the time to carefully position the glowing embers for a maximum glowing effect. Log colours may vary. During the initial use of the appliance, the colours will become more uniform as colour pigments burn in during the heat-activated curing process.

**note:**

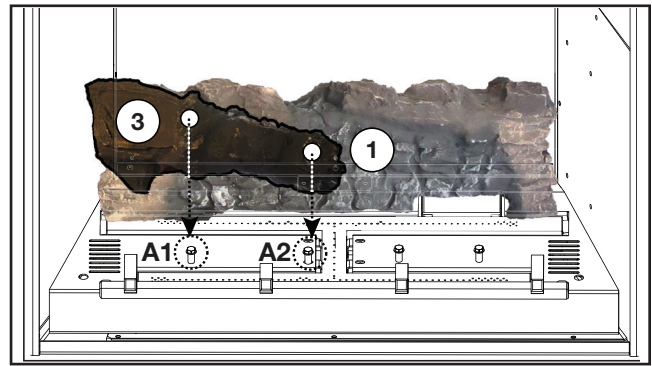
Log numbers are located on the bottom or back of the logs.

Log Number	Part Number	Description
1	W135-0778	Rear log
2	W135-0779	Right log
3	W135-0880	Left log
4	W135-0782	Left crossover log
5	W135-0781	Right crossover log
6	W135-0786	Charcoal strip log
7		

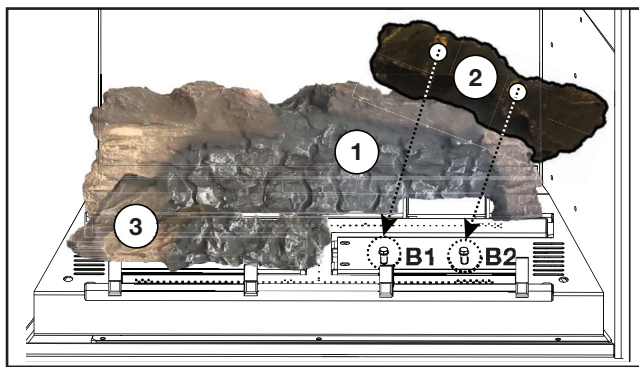




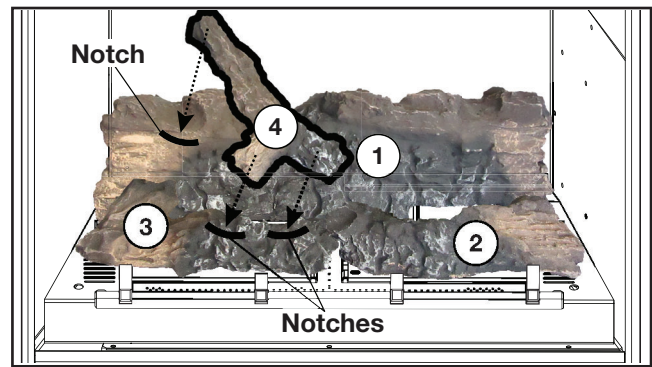
1. Place log #1 snug against the back wall, ensuring the notch fits around the pilot shield.



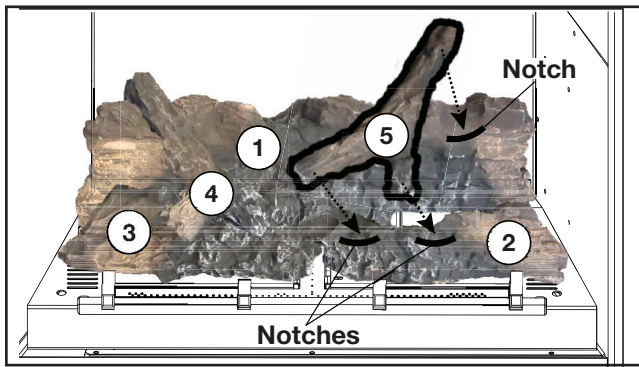
2. Place the two holes in log #3 on A1 and A2. Do not cover any burner ports.



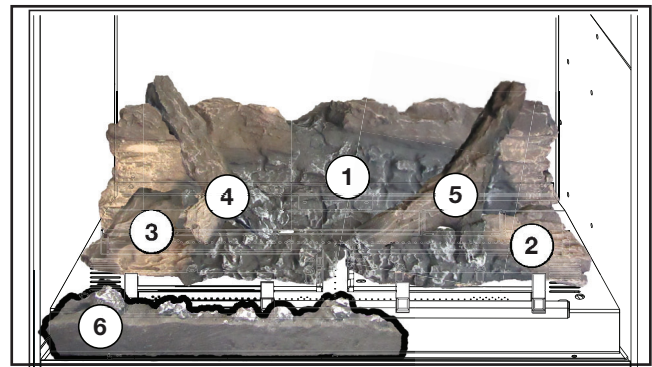
3. Place the two holes in log #2 on B1 and B2. Do not cover any burner ports.



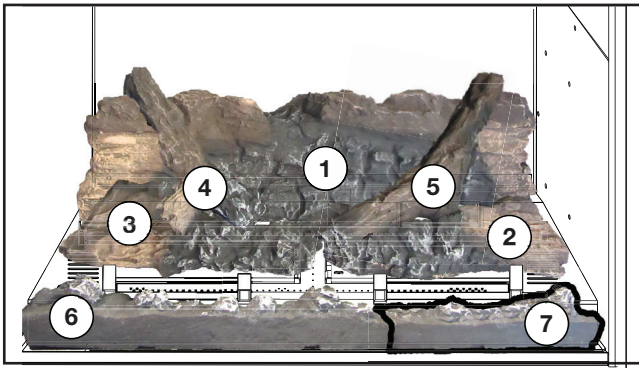
4. Place log #4 on the left-side notch of log #1 and the two notches of log #3.



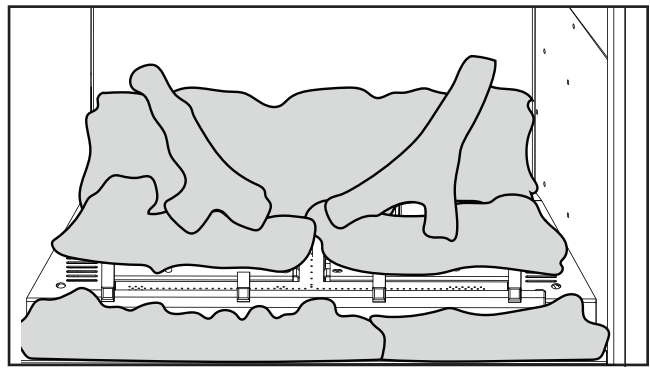
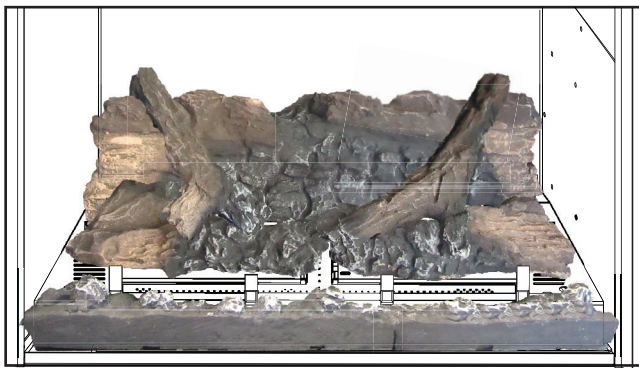
5. Place log #5 on the right-side notch of log #1 and the two notches of log #2.



6. Place log #6 along the left side of the lower media tray.



7. Place log #7 along the right side of the lower media tray.



### 3.4 decorative panels

This appliance does not include decorative brick panels, however, panels are required. Panel kits are sold separately. Consult your local authorized dealer/distributor. Refer to the "replacement parts" section.

### 3.5 media installation

#### ! WARNING

- Clean the glass media prior to installation. Before applying the cleaned glass, ensure that it is dry.
- Do not change or substitute the glass media material provided with this appliance. If replacing, use only the replacement glass media available from your local authorized dealer / distributor.
- Glass media over the burner must not be more than one layer high. More than one layer over the burner will cause flame lifting and sooting problems.
- Do not place any media (glass or vermiculite) in or around the pilot opening. This will interfere with the pilot operation.

Evenly spread the glass media onto the media tray, covering the burner tube and tray.

#### note:

There must only be a single layer of glass media over the burner tube.

Ensure no glass media falls into the pilot opening. If this happens, insert a clean bag into your vacuum cleaner and vacuum out the glass media. Replacement glass can be purchased from your local authorized dealer / distributor. Glass media over the burner ports may cause a "puffing" sound. To eliminate this sound, simply push the media away from the burner ports.

#### note:

The distribution of glass media over the burner ports will influence the flame height. When the flames impinge on the glass, the glass may discolour slightly and the edges may soften.

#### note:

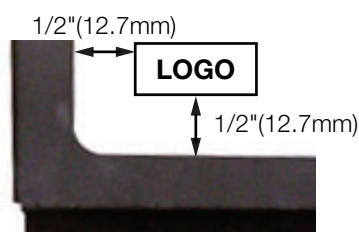
Do not use more media than what was supplied with the appliance.

#### Cleaning Glass Media

Glass media may have a fine oil residue that needs to be cleaned prior to installation. Clean the glass with mild dish soap, drain, rinse thoroughly, and dry before placing over the burner.

### 3.6 logo placement

Remove the backing of the logo supplied and place, as illustrated.



### 3.7 glowing embers

#### ! WARNING

- Completely blocking the burner ports can cause an incorrect flame pattern, carbon deposits and delayed ignition.

Tear the embers into pieces and loosely layer above the burner ports covering the burner area. Care should be taken to shred the embers into thin, small irregular pieces as only the exposed edges of the fibre hairs will glow.

**The ember material will only glow when exposed to direct flame; however, care should be taken to not block off the burner ports.**

Blocked burner ports can cause an incorrect flame pattern, carbon deposits and delayed ignition. **PHAZER™** logs glow when exposed to direct flame. Use only certified "glowing embers" and **PHAZER™** logs available from your local authorized dealer / distributor.

### 3.8 charcoal embers

#### ! WARNING

- Do not block or close off the burner ports. Blocked ports can cause an incorrect flame pattern, carbon deposits and delayed ignition.
- When supplied, charcoal embers, charcoal lumps and vermiculite are not to be placed on the burner.

Randomly place the charcoal embers along the front and sides of the log support in a realistic manner.

**Fine dust found in the bottom of the bag should not be used.**

#### note:

Charcoal embers are not to be placed on the burner.

### 3.9 battery installation (TDIG3-1 / TDIX3-1)

4 AA batteries must be installed into the receiver before the appliance can operate by battery backup. The receiver is located in the bottom right corner of the appliance (**Fig. 3-3**).

1. Remove the battery cover plate by pushing the two tabs that hold the cover in place.
2. Remove the 4 AA batteries in the battery holder and replace with new ones.

#### note:

Note the polarity of the batteries and insert as indicated on the cover (+/-).

3. Reinstall the cover plate.

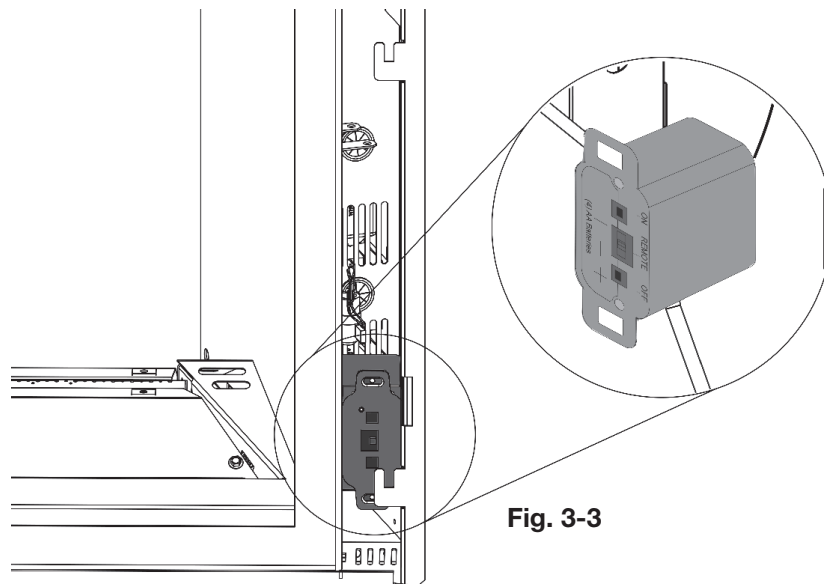


Fig. 3-3

TDIG3-1 Illustrated

#### note:

Ensure the 3 position slider switch is in the "REMOTE" position (middle position).

### 3.10 battery installation (TDI3E-1)

1. Remove battery holder by sliding it forward from the bracket (**Fig. 3-4**).
2. Install 4 batteries.
3. Reinstall battery holder.

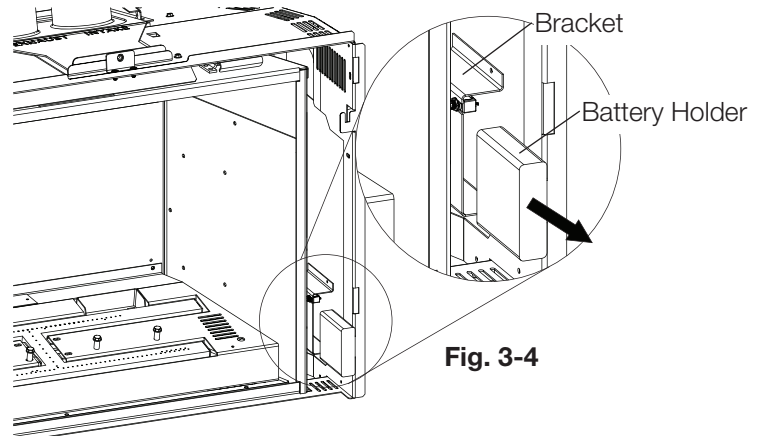


Fig. 3-4



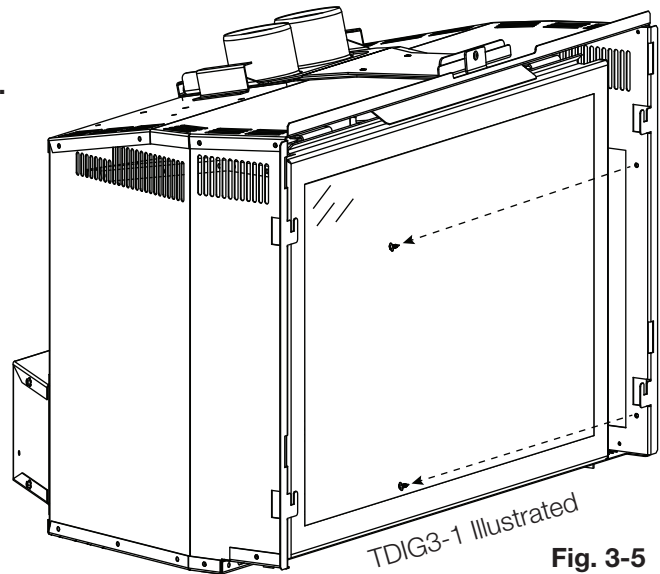
### 3.11 receiver removal

1. Remove the right access panel from the side of the appliance.
2. Remove the front 2 screws from the inside edge (**Fig. 3-5**) and swing the control door open.

**note:**

If your opening is too small, you may need to pull the appliance out slightly.

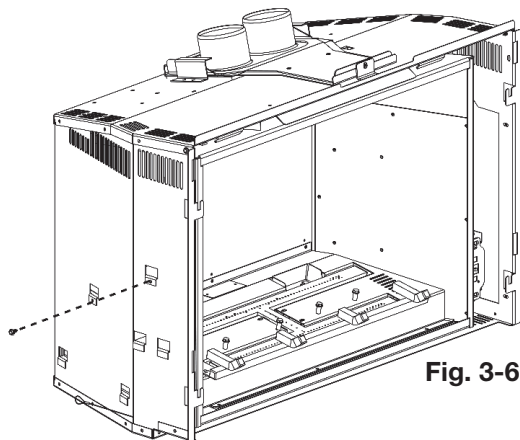
3. Remove the 2 screws holding the receiver in place.
4. Remove the receiver and replace.



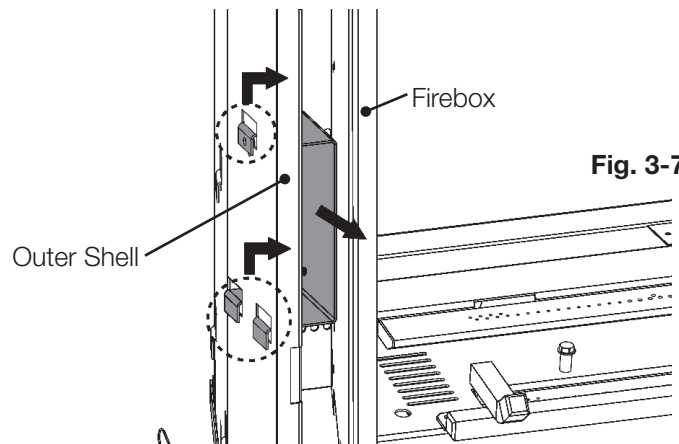
**Fig. 3-5**

### 3.12 bracket installation for optional F45/60 receiver (TDI3-1)

1. Remove the safety barrier and glass door (see "safety barrier & door removal / installation" section).
2. Remove the 1 screw holding the bracket in place (**Fig. 3-6**). Lift the bracket up and out of the slots, lifting it through the opening between the firebox and the appliance's outer shell (**Fig. 3-7**).



**Fig. 3-6**



**Fig. 3-7**

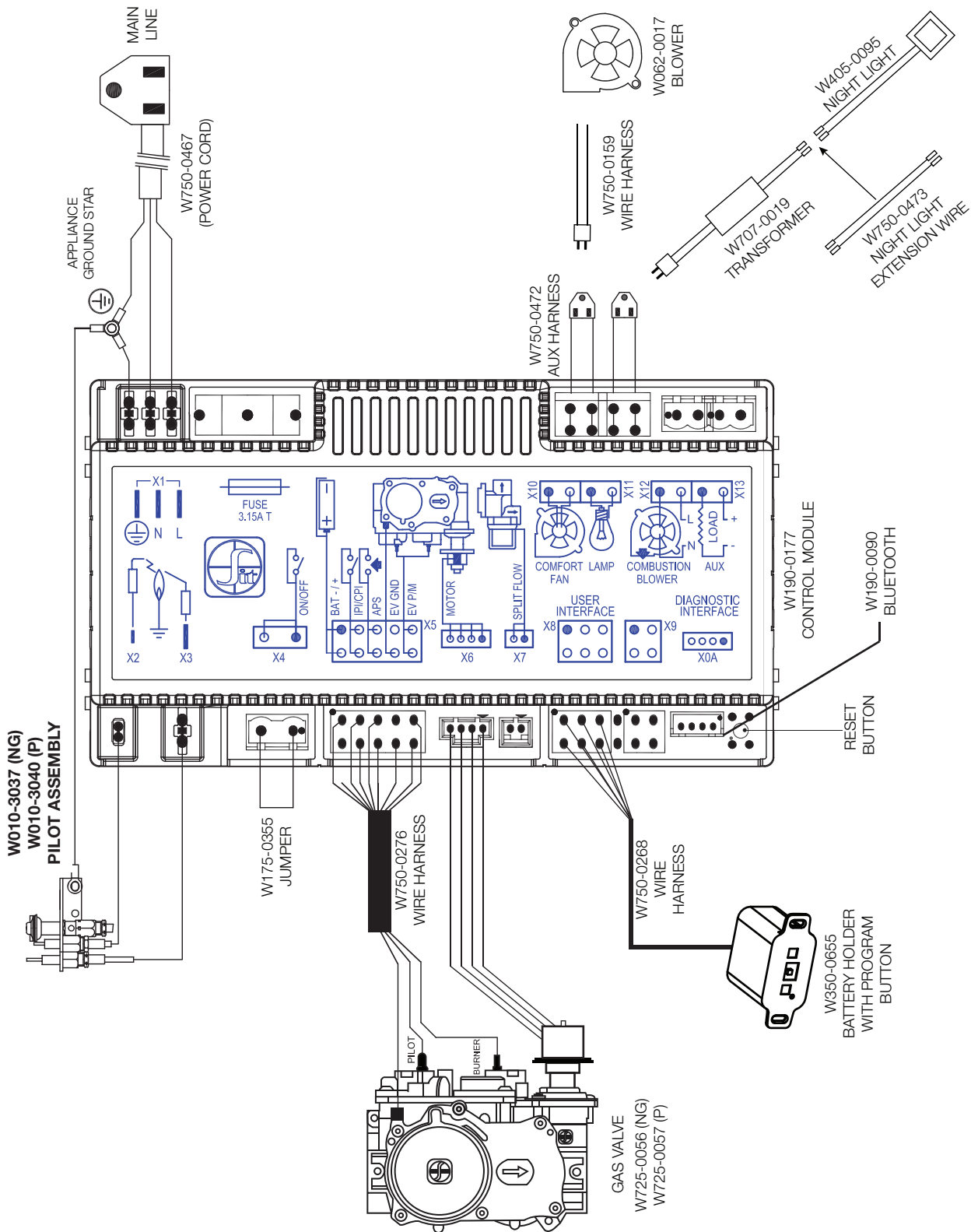
3. Insert the optional receiver (F45 or F60) into the bracket. Secure the receiver using 2 screws (supplied).
4. Place the bracket and receiver back through the opening between the firebox and the appliance's outer shell. Slide the bracket and receiver into and down the slots (**Fig. 3-7 in reverse**).
5. Resecure the 1 screw to hold the bracket and receiver in place (**Fig. 3-6**).

# 4.0 electrical information

## 4.1 wiring diagram (TDIG3-1 / TDIX3-1)

### ⚠ WARNING

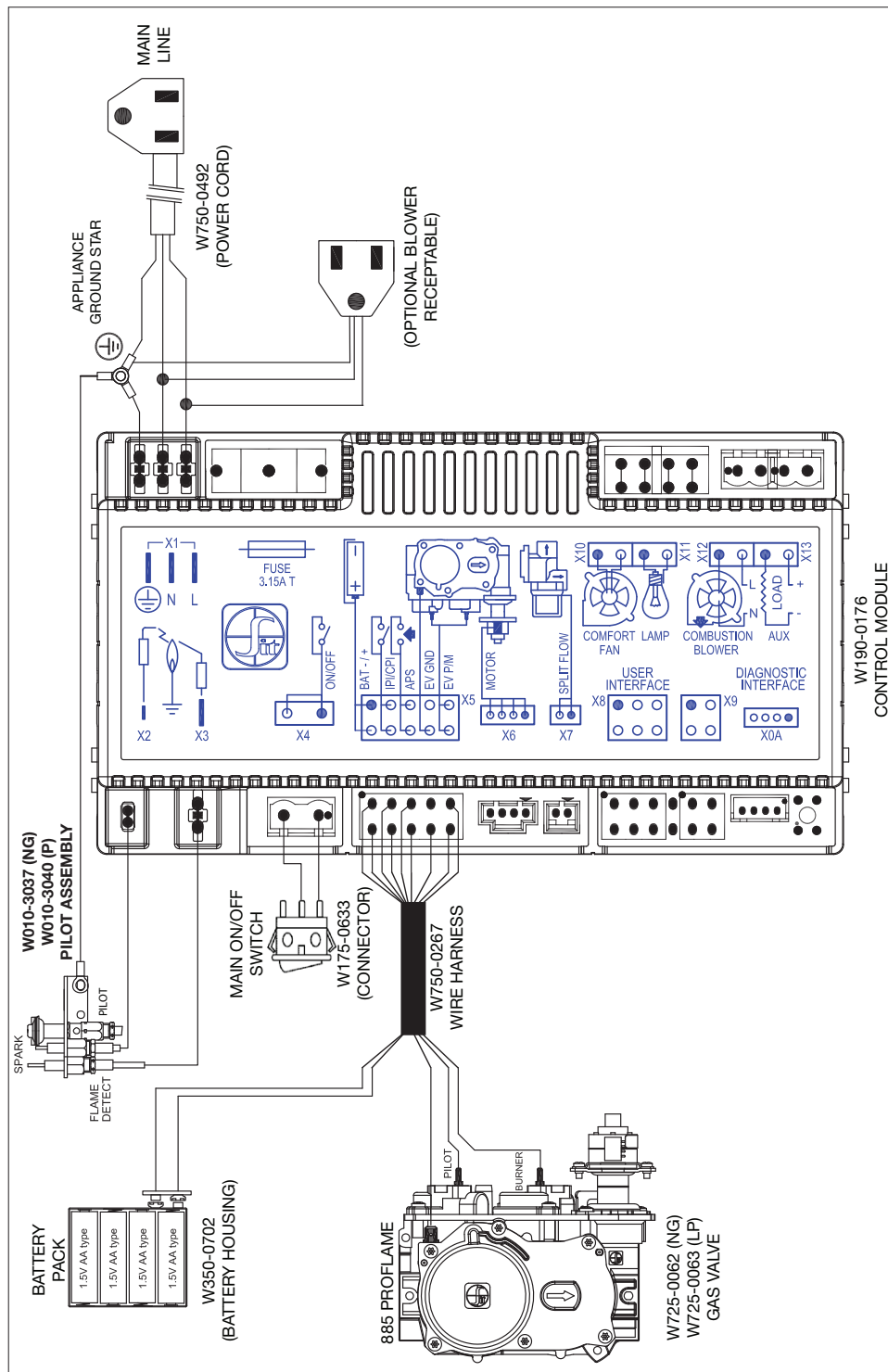
- Do not wire 110 volts to the valve or wall switch.



## 4.2 wiring diagram (TDI3E-1)

### **! WARNING**

- Do not wire 110 volts to the valve or wall switch.



**note:**

This appliance comes equipped with a battery back-up. If this back-up is used, install 4 'AA' batteries (not supplied) into the holder and connect to the wire harness. Connect the battery holder to the wire harness before using the appliance. Place near the IPI board. If the back-up is used, it must be connected to this 6 volt battery pack (supplied). Do not connect to a 9 volt battery pack.

## 5.0 operation (millivolt - TDI3-1)

### WARNING

- If you do not follow these instructions exactly, a fire or explosion may result causing property damage, personal injury, or loss of life.
- If applicable, always light the pilot whether for the first time or if the gas supply has run out with the glass door opened or removed.

Ensure that a continuous gas flow is at the burner before installing the door. When lit for the first time, the appliance will emit an odor for a few hours. This is a normal temporary condition caused by the “burn-in” of paints and lubricants used in the manufacturing process and will not occur again. After extended periods of non-operation such as following a vacation or a warm weather season, the appliance may emit a slight odor for a few hours. This is caused by dust particles in the heat exchanger burning off. In both cases, open a window to sufficiently ventilate the room.

**For vent free appliances ONLY:** if the appliance shuts off, do not relight until you provide fresh air. If appliance keeps shutting off, have it serviced. Keep burner and control compartment clean.

#### FOR YOUR SAFETY READ BEFORE LIGHTING

- Do not turn on if children or other at risk individuals are near the appliance.
- This appliance is equipped with a pilot which must be lit by hand while following these instructions exactly.
- Before operating, smell all around the appliance area for gas and next to the floor because some gas is heavier than air and will settle on the floor.
- Use only your hand to turn the gas control knob. Never use tools. If the knob will not turn by hand, do not try to repair it. Call a qualified service technician. Force or attempted repair may result in a fire or explosion.
- Do not use this appliance if any part has been under water. Immediately call a qualified service technician to inspect the appliance and replace any part of the control system and any gas control which has been underwater.





#### WHAT TO DO IF YOU SMELL GAS

- Turn off all gas to the appliance.
- Open windows.
- Do not try to light any appliance.
- Do not touch any electric switch; do not use any phone in your building
- Immediately call your gas supplier from a neighbour's phone. Follow the gas supplier's instructions.
- If you cannot reach your gas supplier, call the fire department.

#### LIGHTING INSTRUCTIONS


##### note:

When lighting and re-lighting, the gas knob cannot be turned from pilot to off unless the knob is depressed.

- Stop! Read the above safety information on this label.
- Remove batteries from the transmitter and set thermostat to lowest setting, if equipped.
- Turn off all electrical power to the appliance.
- Open the glass door, if equipped.
- Turn the gas knob clockwise  to the “OFF” position.
- Wait five (5) minutes to clear out any gas. If you smell gas including near the floor, STOP! Follow the instructions above in the “WHAT TO DO IF YOU SMELL GAS” section. If you don't smell gas; close the glass door and go to the next step.
- If the appliance is equipped with flame adjustment valve turn clockwise  to “OFF”.
- Turn gas knob counter-clockwise  to the “PILOT” position. (If the appliance is equipped with an “ON/OFF” switch, ensure it is in the “ON” position.)
- Depress and hold gas knob while lighting the pilot with the push button ignitor. Keep knob fully depressed for one minute, then release. If pilot does not continue to burn, repeat steps E through I.
- With pilot lit, turn gas knob counter-clockwise  to the “ON” position.
- If equipped with the flame adjustment valve, push and turn the knob to high.
- Turn on all electrical power to the appliance and re-install the batteries into the transmitter, if equipped. Set thermostat to desired setting, if equipped.



#### TO TURN OFF GAS

- Set thermostat to desired setting, if equipped.
- Turn off all electrical power to the appliance if service is to be performed.
- Push in gas knob slightly and turn clockwise  to the “OFF” position. Do not force.

## WARNING

- If you do not follow these instructions exactly, a fire or explosion may result causing property damage, personal injury, or loss of life.
- If applicable, always light the pilot whether for the first time or if the gas supply has run out with the glass door opened or removed.

Ensure that a continuous gas flow is at the burner before installing the door. When lit for the first time, the appliance will emit an odor for a few hours. This is a normal temporary condition caused by the “burn-in” of paints and lubricants used in the manufacturing process and will not occur again. After extended periods of non-operation, such as, following a vacation or warm weather season, the appliance may emit a slight odor for a few hours. This is caused by dust particules in the heat exchanger burning off. In both cases, open a window to sufficiently ventilate the room.

### FOR YOUR SAFETY READ BEFORE LIGHTING

- Do not turn on if children or other at risk individuals are near the appliance.
- This appliance is equipped with an ignition device which automatically lights the pilot. Do not try to light the pilot by hand.
- Before operating, smell all around the appliance area for gas and next to the floor because some gas is heavier than air and will settle on the floor.
- Do not use this appliance if any part has been under water. Immediately call a qualified service technician to inspect the appliance and replace any part of the control system and any gas control which has been underwater.

### WHAT TO DO IF YOU SMELL GAS

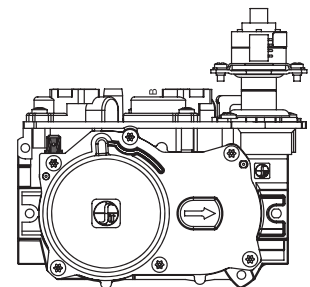
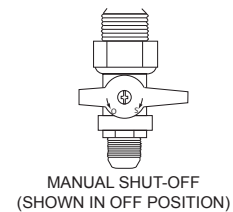
- |   |  |
|---|--|
| • Turn off all gas to the appliance.                                      | • Immediately call your gas supplier from a neighbour’s phone. Follow the gas supplier’s instructions. |
| • Open windows.   | • If you cannot reach your gas supplier, call the fire department.                                     |
| • Do not try to light any appliance.                                      |  |
| • Do not touch any electric switch; do not use any phone in your building |  |

### LIGHTING INSTRUCTIONS

#### note:

This appliance is equipped with an ignition device which automatically lights the pilot. Do not try to light the pilot by hand.

- Stop! Read the above safety information on this label.
- Remove batteries from the transmitter and set thermostat to lowest setting, if equipped.
- Turn off all electrical power to the appliance.
- Open the glass door, if equipped.
- Turn the manual shut-off valve clockwise to the “OFF” position. (Shut-off valve is located on the flex connector).
- Wait five (5) minutes to clear out any gas. If you smell gas including near the floor, **STOP!** Follow the instructions above in the “WHAT TO DO IF YOU SMELL GAS” section. If you don’t smell gas; close the glass door and go to the next step.
- Turn the manual shut-off valve counter clockwise to the “ON” position.
- Turn on all electrical power to the appliance and re-install the batteries into the transmitter. Set thermostat to desired setting, if equipped.
- Turn on the remote wall switch to the appliance.
- If the appliance will not operate, follow instructions “TO TURN OFF GAS” and call your service technician or gas supplier.



### TO TURN OFF GAS

- Set thermostat to lowest setting, if equipped.
- Turn off the remote wall switch to the appliance.
- Turn off all electric power to the appliance if service is to be performed.
- Turn manual shutoff valve clockwise to the “OFF” position. Do not force.

# operation (electronic - TDI3E-1, TDIG3-1, TDIX3-1)

## 6.1 pilot on demand

This appliance is equipped with an “On Demand” intermittent pilot ignition system (IPI) which also includes a continuous pilot ignition (CPI) mode with an integrated seven day timer. This system minimizes your appliance’s carbon footprint as well as reducing its annual fuel consumption and operating costs.

In IPI mode, the pilot will ignite prior to the main burner, when the appliance is turned on using a switch, remote or from a call for heat with the thermostat (if equipped). Once the appliance is turned off (or the call for heat is satisfied), the main burner and pilot flame will shut down.

The continuous (CPI) mode is intended to enhance the performance of the appliance during the startup phase in colder climates and extreme weather by keeping the system warm when the main burner is not in use. However, the timer feature provides the convenience that the appliance automatically switches off the pilot when the appliance has not been used for seven days to save unnecessary fuel consumption.

When the CPI function is turned on, the pilot will remain on after the main burner is turned off. A timer will then begin the countdown for approximately seven days before shutting off the pilot if the appliance is not used. This countdown will reset anytime the appliance main burner is used. Therefore, if the appliance is regularly used day to day, the pilot will remain on. However, this system does not require the user to remember to turn the pilot off as summer approaches and avoids unnecessary fuel consumption while still readily turned back on when the cold weather returns.

**Your appliance may be equipped with an ACS or remote control device (Fig. 1) which enables you to select IPI or CPI modes.**

If your appliance is equipped with an ACS switch, it has the option to change modes:

**Fig. 2:** Flipping the switch ON turns on the continuous pilot with timer and flipping the switch OFF turns on the intermittent pilot ignition.

**Fig. 3:** If installed with the blue wire facing up, flipping the switch UP turns on the continuous pilot with timer and flipping the switch DOWN turns on the intermittent pilot ignition. If installed with the white wire facing up, the opposite is true.

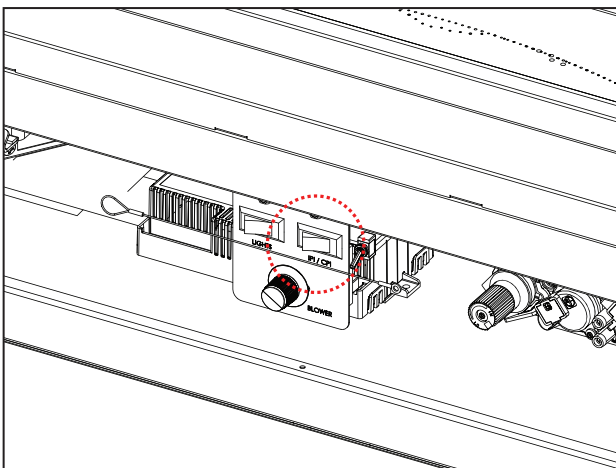
If your appliance is equipped with a remote control device capable of selecting IPI / CPI modes, refer to remote operating instructions.

In order to start your pilot, turning the main burner on with the switch, remote or thermostat and then turning it off will reactivate the continuous pilot mode and reset the seven day timer.

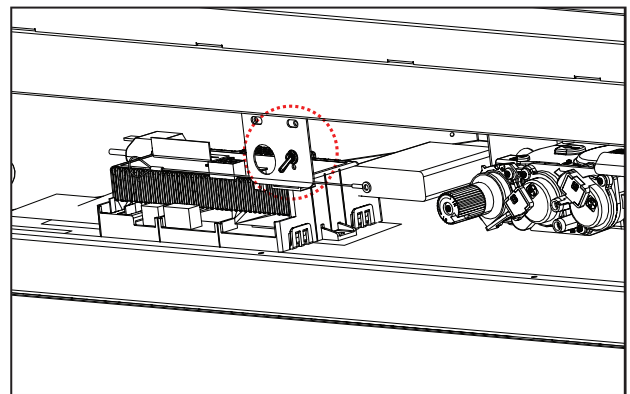
For further information, refer to [www.napoleon.com/pilotondemand](http://www.napoleon.com/pilotondemand).



(Fig. 1)

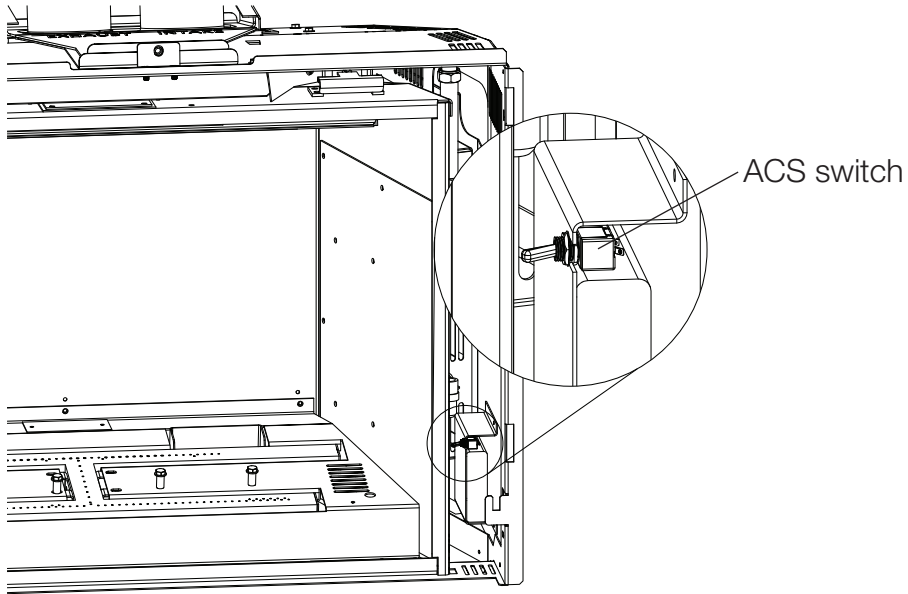


(Fig. 2)



(Fig. 3)

6.2 ACS switch location (TDI3E-1 only)



# 7.0 adjustments

## 7.1 pilot burner adjustment

Adjust the pilot screw to provide properly sized flame. Turn in a clockwise direction to reduce the gas flow.

### Check Pressure Readings:

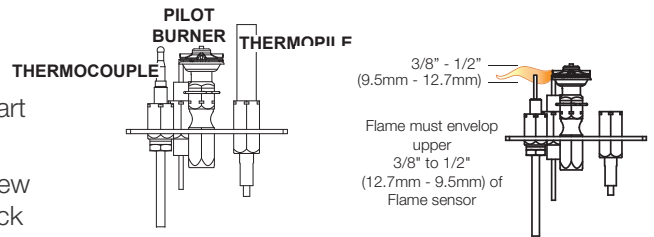
Inlet pressure can be checked by turning screw (A) counter-clockwise 2 or 3 turns and then placing pressure gauge tubing over the test point. Gauge should read as described on the chart below. Check pressure with main burner operating on "HI".

Outlet pressure can be checked the same as above using screw (B). Gauge should read as described on the chart below. Check pressure with main burner operating on "HI".

**After taking pressure readings, be sure to turn screws clockwise firmly to reseal. Do not overtorque.**

Leak test with a soap and water solution.

Prior to pilot adjustment, ensure that the pilot assembly has not been painted. If overspray or painting of the pilot assembly has occurred remove the paint from the pilot assembly, or replace. Fine emery cloth or a synthetic scrub pad (such as Scotch-Brite™) can be used to remove the paint from the pilot hood, electrode and flame sensor.

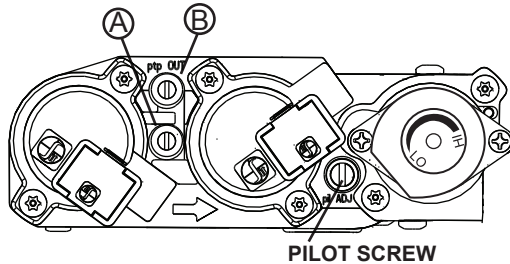


MILLIVOLT  
(TDI3-1)

ELECTRONIC  
(TDI3E-1 / TDIG3-1  
/ TDIX3-1)

Pressure	Natural Gas (inches)	Natural Gas (millibars)	Propane (inches)	Propane (millibars)
Inlet	*7" (minimum 4.5")	17.4mb (minimum 11.2mb)	13" (minimum 11")	32.4mb (minimum 27.4mb)
Outlet	3.5"	8.7mb	10"	24.9mb

**\*Maximum inlet pressure not to exceed 13"**



**note:**  
Electronic valve pictured. See "optional wall switch" section for millivolt valve image.

## 7.2 venturi adjustment

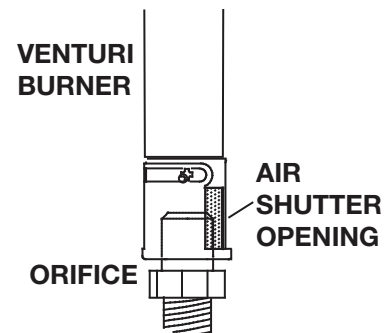
This appliance has an air shutter that has been factory set open according to the chart below:

Regardless of venturi orientation, closing the air shutter will cause a more yellow flame, but can lead to carbonization. Opening the air shutter will cause a more blue flame, but can cause flame lifting from the burner ports. The flame may not appear yellow immediately; allow 15 to 30 minutes for the final flame colour to be established.

**AIR SHUTTER ADJUSTMENT MUST ONLY BE DONE BY A QUALIFIED INSTALLER.**

**note:**

It is important that the orifice is securely inserted into the venturi.

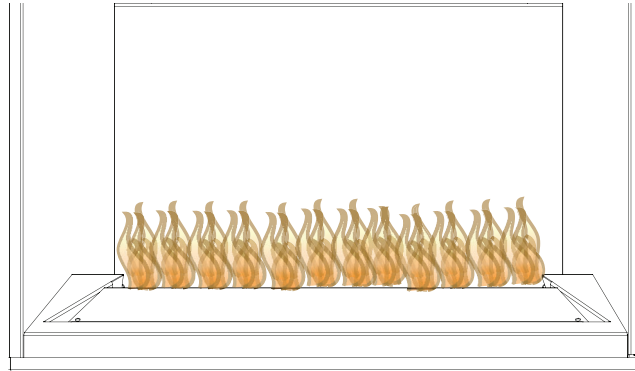


Venturi Adjustment Chart				
	TDI3-1	TDI3E-1	TDIG3-1	TDIX3-1
NG	1/16" (1.6mm)		1/8" (3.2mm)	
P	3/16" (4.7mm)			1/4" (6.4mm)

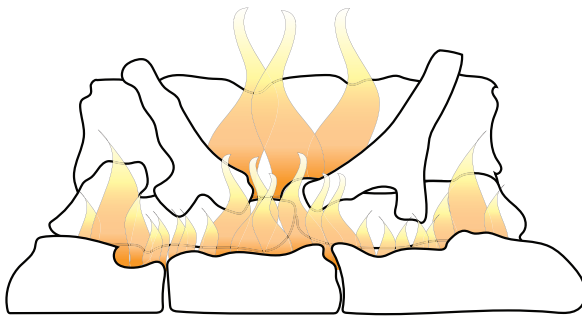


### 7.3 flame characteristics

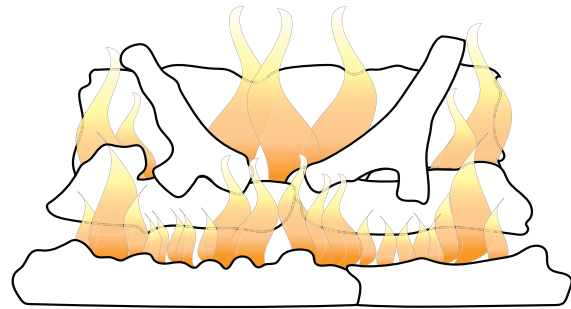
It is important to periodically perform a visual check of the pilot and burner flames. Compare them to the illustration provided. If any flames appear abnormal, call a service person.



**TDIG3-1**



**TDI3-1 / TDI3E-1**



**TDIX3-1**

### 7.4 optional wall switch

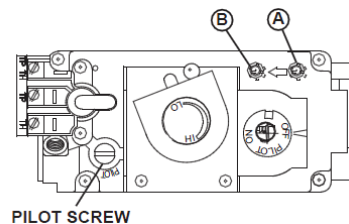
#### **! WARNING**

- Do not connect either the wall switch, thermostat or gas valve directly to 110 volt electricity.

For ease of accessibility, an optional remote wall switch or millivolt thermostat may be installed in a convenient location. Route a 2 strand, solid core millivolt wire from the valve to the wall switch or millivolt thermostat. The recommended maximum lead length depends on wire size:

WIRE SIZE	MAX. LENGTH
14 gauge (1.8mm)	100 feet (30.5m)
16 gauge (1.5mm)	60 feet (18.3m)
18 gauge (1.2mm)	40 feet (12.2m)

Disconnect the existing wires from terminals 1 and 3 (from the ON/OFF switch) and replace with the leads from the wall switch / millivolt thermostat.



## 8.0 maintenance

### WARNING

- Turn off the gas and electrical power before servicing the appliance.
- Appliance may be hot. Do not service until appliance has cooled.
- Do not use abrasive cleaners on glass.
- Do not paint the pilot assembly.

This appliance and its venting system should be inspected before use and at least annually by a qualified service person. The following suggested checks should be performed by a qualified technician. The appliance area must be kept clear and free of combustible materials, gasoline, or other flammable vapors and liquids. The flow of combustion and ventilation air must not be obstructed.

#### note:

Caution: Label all wires prior to disconnection when servicing controls. Wiring errors can cause improper and dangerous operation. Verify proper operation after servicing.

1. In order to properly clean the burner and pilot assembly, remove the logs, rocks and/or glass to expose both assemblies.
2. Keep the control compartment, media, burner, air shutter opening and the area surrounding the appliance clean by vacuuming or brushing, at least once a year.
3. Check to see that all burner ports are burning. Clean out any of the ports which may not be burning or are not burning properly.
4. Check to see that the pilot flame is large enough to engulf the flame sensor and/or thermocouple / thermopile as well as it reaches the burner.
5. If your appliance is equipped with a safety barrier, cleaning may be necessary due to excessive lint / dust from carpeting, pets, etc. simply vacuum using the brush attachment.
6. If your appliance is equipped with relief doors, ensure the system performs effectively. Check that the gasket is not worn or damaged. Replace if necessary.
7. Replace the cleaned logs, rocks or glass. Failure to properly position the media may cause carboning which can be distributed in the surrounding living area, inside the firebox and on exterior surfaces surrounding vent termination.
8. Check to see that the main burner ignites completely on all ports when turned on. A 5 to 10 second total light-up period is satisfactory. If ignition takes longer, consult your local authorized dealer / distributor.
9. Visually inspect the appliance for carbon build up. Using a small whisk or brush, brush off the carbon and vacuum up or sweep into garbage.
10. **This step is not applicable for Vent Free appliances:** Check to see that the appliance is venting correctly. Ensure chimney system is safe and unobstructed. (If for any reason the vent air intake system is disassembled, re-install and re-seal per the instructions provided for the initial installation).

## 8.1 annual maintenance

### **WARNING**

- Annual maintenance should be performed by a qualified service technician
- The firebox becomes very hot during operation. Let the appliance cool completely or wear heat resistant gloves before conducting service.
- Never vacuum hot embers.
- Do not paint the pilot assembly

- This appliance will require maintenance which should be planned on an annual basis.
- Service should include cleaning, battery replacement, venting inspection and inspection of the burner, media, and firebox. Refer to the door removal section and remove the door as instructed.
- Carefully remove media if necessary (logs, glass, brick panels, etc.).
- Using a vacuum with soft brush attachment, gently remove any dirt, debris, or carbon build up from the logs, firebox, and burner. For glass media, follow the installation instructions for pre-cleaning.
- Gently remove any build-up on the pilot assembly including thermopile, thermocouple, flame sensor, and igniter (if equipped).

**note:**

Clean flame sensor using a fine emery cloth or a synthetic scrub pad (such as Scotch-Brite™) to remove any oxides. Clean the pilot assembly using a vacuum with a soft brush attachment. It is important that the pilot assembly is not painted.

- Inspect all accessible gaskets and replace as required.
- If equipped with a blower, access the blower and clean using a soft brush and vacuum.
- Re-assemble the various components in reverse order.
- Inspect the relief system. The appliance relieves through the main glass door or through the flaps on the firebox top. Ensure they open freely, and close sealed.
- Check the gas control valve pilot and Hi / Lo knobs move freely, if equipped. Replace if any stiffness in movement is experienced.
- Check for gas leaks on all gas connections up and downstream from the gas valve including pilot tube connections.

## 8.2 care of glass

### **WARNING**

- Do not clean glass when hot! Do not use abrasive cleaners to clean glass.

Buff lightly with a clean dry soft cloth to remove accumulated dust or fingerprints. Clean both sides of the glass after the first 10 hours of operation with an ammonia-free glass cleaner.

**note:**

Vinegar-based glass cleaners have demonstrated an ability to provide a clean, streak free glass surface.

Thereafter, clean as required. If the glass is not kept clean permanent discoloration and / or blemishes may result. Contact you local authorized dealer / distributor for complete cleaning instructions.

Razor blades, steel wool, or other metallic objects must not be used on both surfaces of the glass. Doing so can remove a thin layer of metal from the razor blades, steel wool, or other metallic objects that may then be deposited onto the coating. This can result in a discoloured stain or scratch-like mark. More importantly, this can scratch the glass surface, thereby reducing its strength.

Do not operate the appliance with broken glass, as leakage of flue gases may result.

Contact your local authorized dealer / distributor for complete cleaning instructions.

If the glass should ever crack or break while the fire is burning, do not open the door until the fire is out. Do not operate the appliance until the glass has been replaced. Contact you local authorized dealer / distributor for replacement parts. **DO NOT SUBSTITUTE MATERIALS.**

This appliance is factory equipped with 5mm ceramic glass. Use only replacement parts as supplied by the appliance manufacturer. **DO NOT SUBSTITUTE MATERIALS.**

# maintenance

## 8.3 care of plated parts

If the appliance is equipped with plated parts, you must clean fingerprints or other marks from the plated surfaces before operating the appliance for the first time. Use an ammonia-free or vinegar-based cleaner and a towel to clean. If not cleaned properly before operating for the first time, the marks can cause permanent blemishes on the plating. After the plating is cured, the fingerprints and oils will not affect the finish and little maintenance is required, just wipe clean as needed. Prolonged high temperature burning with the door ajar may cause discolouration on plated parts.

### note:

The protective wrap on plated parts is best removed when the assembly is at room temperature but this can be improved if the assembly is warmed (i.e. using a hair dryer or similar heat source).

## 8.4 door glass replacement

### ! WARNING

- Do not use substitute materials.
- Glass may be hot. Do not touch glass until cooled.
- Care must be taken when removing and disposing of any broken door glass or damaged components. Be sure to vacuum up any broken glass from inside appliance before operation.
- Do not strike, slam, or scratch. Do not operate appliance with glass removed, cracked, broken, or scratched.

Replacement glass/frame assembly shall be replaced as a complete unit as supplied by the appliance manufacturer.

## 8.5 media tray installation

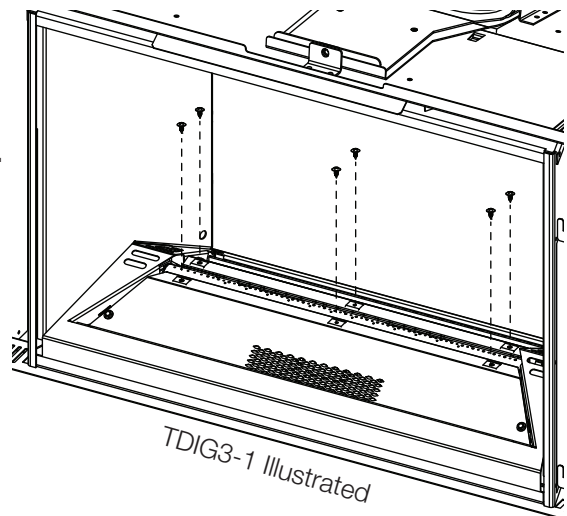
Secure the media tray to the burner using 6 screws (W570-0001).

**When removing the media tray, make sure the glass media is away from the center of the screen, exposing the burner. Remove screws and lift media tray out.**

When replacing the burner, absolutely no glass media can be surrounding the orifice.

### hint:

If glass surrounds the orifice, insert a clean bag into a vacuum cleaner and vacuum out glass media. Replacement glass media can be ordered from Wolf Steel Ltd.

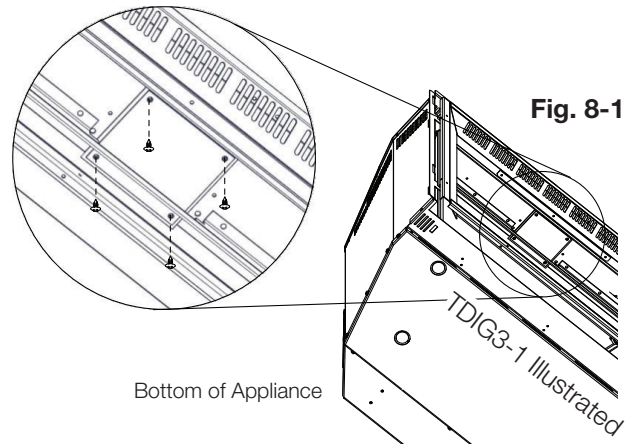


### 8.6 night light™ replacement (TDIG3-1 / TDIX3-1)

Your appliance comes equipped with our “Night Light™”. The light has been pre-wired and is controlled from the remote control.

If the lamp or lens needs to be replaced, follow the instructions below.

- A. Unplug the appliance (plug located on right side of appliance).
- B. Remove the 2 screws holding the light shield in place.
- C. Remove the 6 screws holding the deflector in place.
- D. Remove the 4 screws that secure the lens frame (Fig. 8-1). This frame retains the glass lens. The lamp can now be accessed.



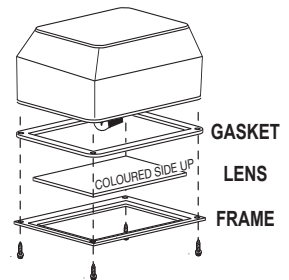
**note:**

Do not handle the lamp (bulb) with bare fingers. Protect them with a clean, dry cloth.

The lamp will pull straight out of the socket. Replace with Wolf Steel parts only, as lamp and lens are special "high temperature" products. When re-installing, ensure integrity of gasket seal.

**THE FIREBOX MUST BE SEALED.**

Over-tightening the screws could break the lens. “Light Leakage” from the upper area may be observed. The holes in the lamp housing are necessary for ventilation and must not be covered.



### 8.7 restricting vertical vents

Your appliance comes with restrictor plate fully closed. If carboning becomes an issue, adjust the restrictor plate by loosening the four screws and pulling the plate forwards or backwards (Fig. 8-2). Re-tighten the screws.

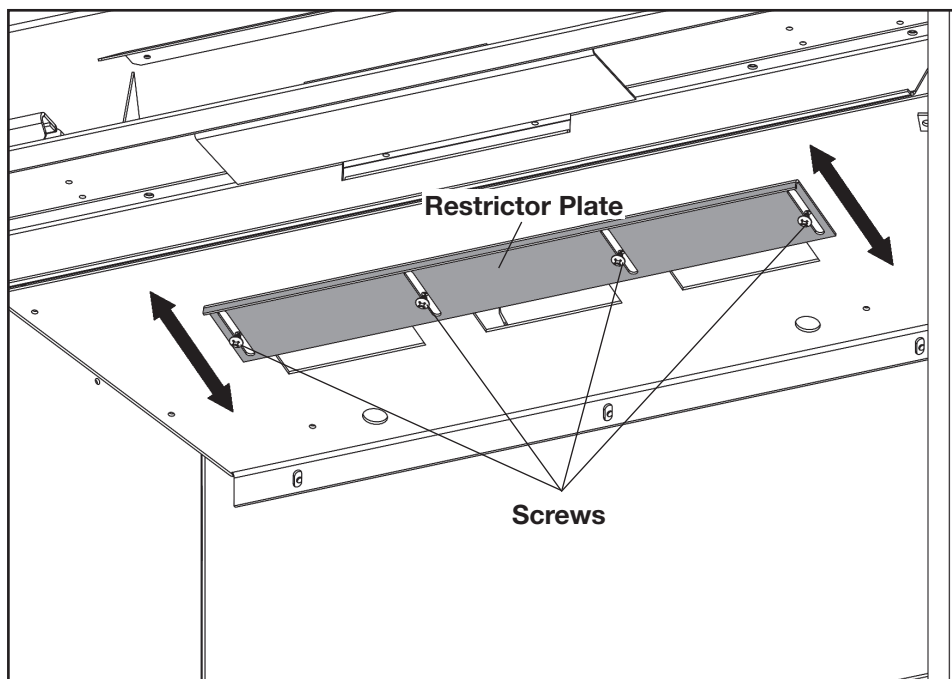


Fig. 8-2

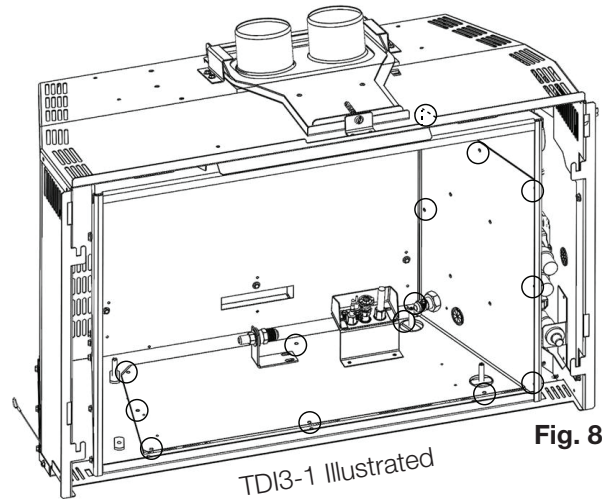
## 8.8 valve train replacement

- A. Remove safety barrier and glass door (see "safety barrier & door removal / installation" section).
- B. Remove media tray (see "media tray installation" section) and burners.
- C. Remove porcelain radiant panels (PRPs) or brick panels (if applicable).
- D. Remove the 14 screws holding the valve train in place (**Fig. 8-3**).

**note:**

A new gasket may be required when reinstalling the valve train assembly. Contact your local authorized dealer / distributor for more information.

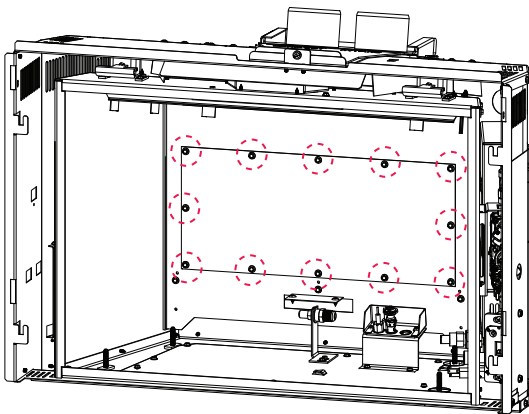
- E. Carefully lift the valve train assembly out far enough to access the manual shut off valve and turn it to the off position. Disconnect any wires, and then lift the valve train out of the appliance.



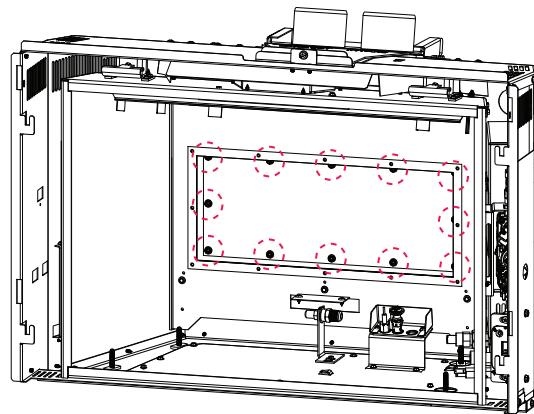
**Fig. 8-3**

## 8.9 accessing the blower for service (if equipped)

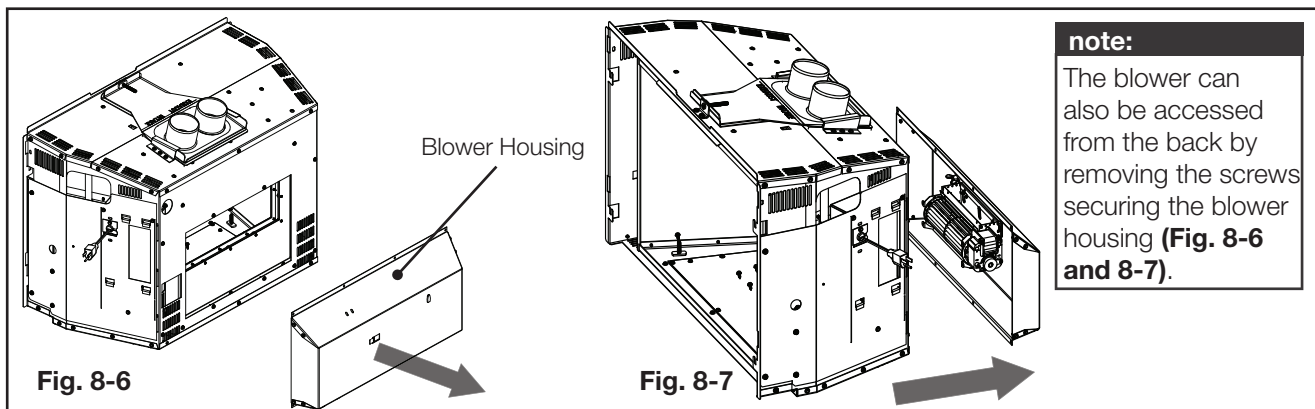
- A. Remove safety barrier and glass door (see "safety barrier & door removal / installation" section).
- B. Remove media tray (see "media tray installation" section) and burners.
- C. Remove porcelain radiant panels (PRPs) or brick panels (if applicable).
- D. Remove the first blower access panel by removing the 12 screws (**Fig. 8-4**).
- E. Remove the second access panel by removing the 12 screws (**Fig. 8-5**).
- F. Reverse these steps to reinstall the two access panels.



**Fig. 8-4**



**Fig. 8-5**



**Fig. 8-6**

**Fig. 8-7**

**note:**

The blower can also be accessed from the back by removing the screws securing the blower housing (**Fig. 8-6 and 8-7**).

**! WARNING**

- Failure to position the parts in accordance with this manual or failure to use only parts specifically approved with this appliance may result in property damage or personal injury.

Contact your dealer for questions concerning prices and policies on replacement parts. Normally, all parts can be ordered through your Authorized dealer / distributor.

**For warranty replacement parts, a photocopy of the original invoice will be required to honour the claim.**

When ordering replacement parts always give the following information:

- Model & Serial Number of appliance
- Installation date of appliance
- Part number
- Description of part
- Finish

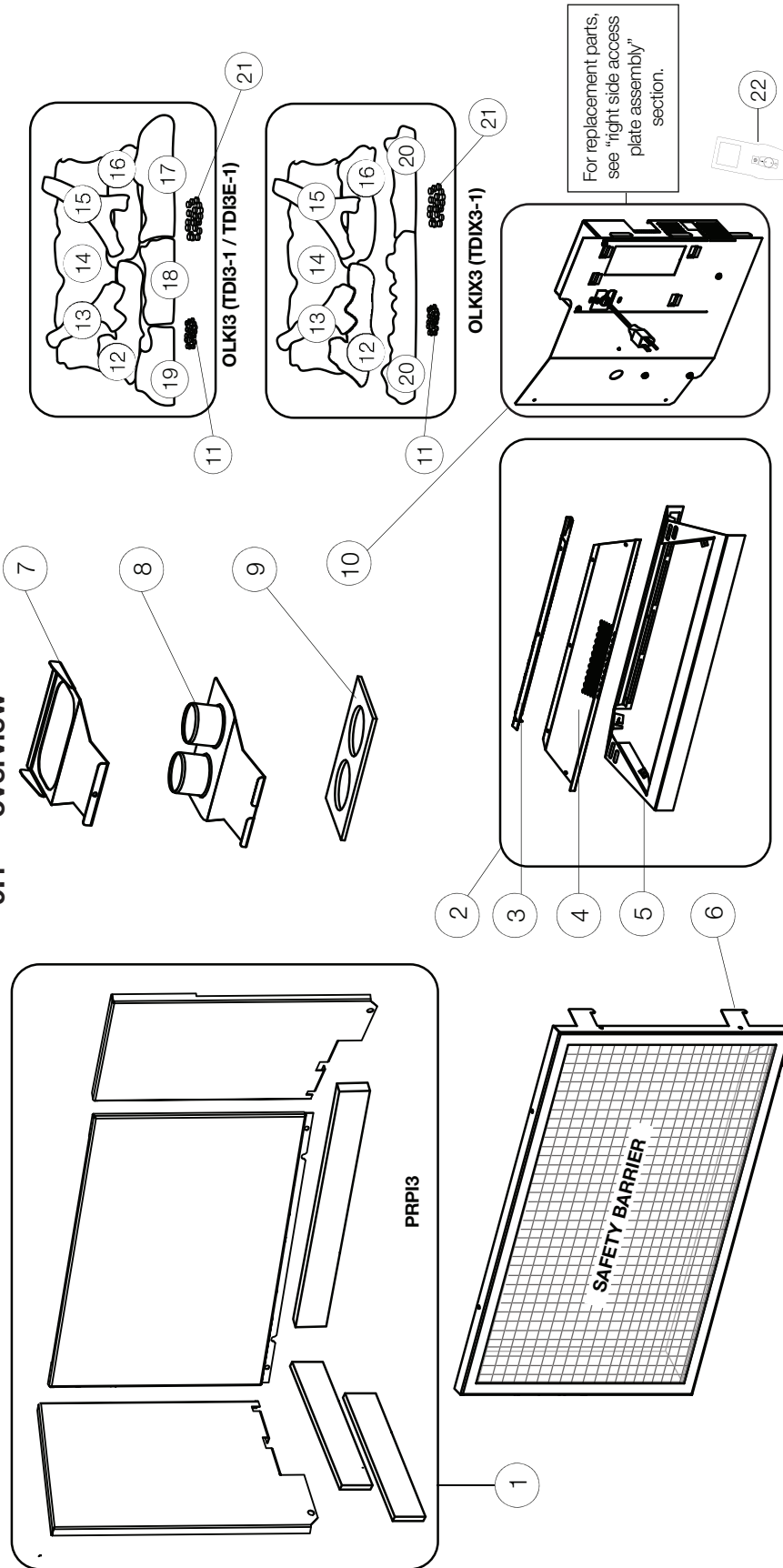
**Parts, part numbers, and availability are subject to change without notice.**

**Parts identified as stocked will be delivered within 2 to 5 business days for most delivery destinations.**

**Parts not identified as stocked will be delivered within a 2 to 4 week period, for most cases.**

**Parts identified as 'SO' are special order and can take up to 90 days for delivery.**

## 9.1 overview



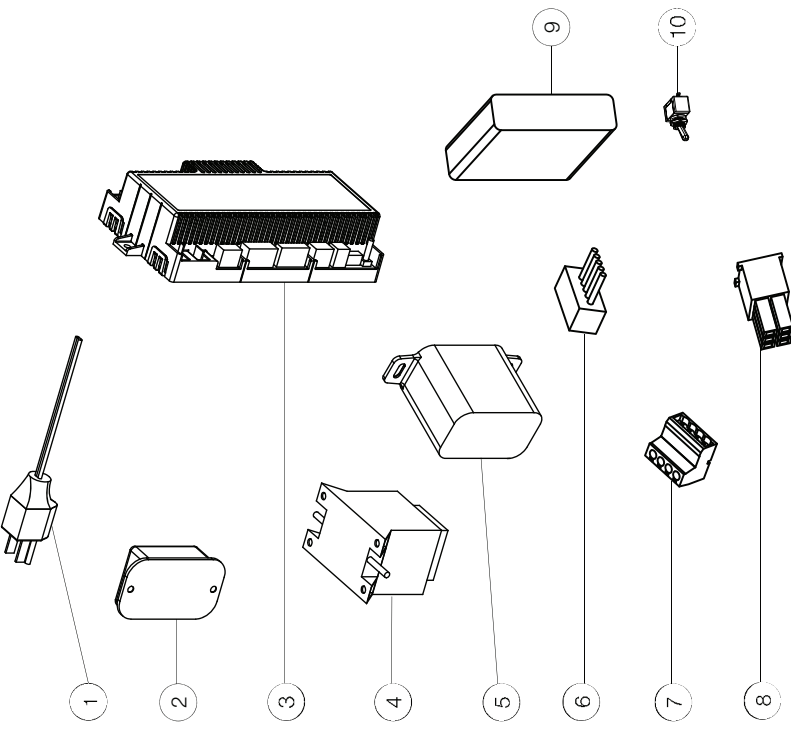
Items may not appear exactly as illustrated

Ref. No.	Part number	Description	Stocked
1	PRP13	Porcelain reflective radiant panels	Yes
2	W010-2629	Media tray assembly (TDIG3-1 only)	
3	W565-0132	Rear burner screen (TDIG3-1 only)	
4	W565-0131	Front burner screen (TDIG3-1 only)	
5	W200-0371	Media tray cover (TDIG3-1 only)	
6	W010-4414	Safety barrier assembly	
7	W010-4790	Assembly, vent slide	
8	W010-4791	Assembly, collar	
9	W290-0183	Vent connection gasket	Yes
10	W010-6080	RS access plate assembly (TDIG3-1/TDIX3-1)	Yes
10	W010-6071	RS access plate assembly (TDI3E-1)	Yes
10	W010-5120	RS access plate assembly (TDI3-1)	Yes
11	W361-0016	Glowing embers	Yes
Ref. No.	Part number	Description	Stocked
12	W135-0780	Log, left (OLKI/X3)	
13	W135-0782	Log, left crossover (OLKI/X3)	
14	W135-0778	Log, rear (OLKI/X3)	
15	W135-0781	Log, right crossover (OLKI/X3)	
16	W135-0779	Log, right (OLKI/X3)	
17	W135-0785	Log, right charcoal (OLKI3)	
18	W135-0784	Log, centre charcoal (OLKI3)	
19	W135-0783	Log, left charcoal (OLKI3)	
20	W135-0786	Log, charcoal strip (left / right) (OLKX3)	Yes
21	W550-0001	Charcoal embers	Yes
22	W660-0203	Proflame remote (TDIG/X3-1)	Yes
23 *	GZ553	Replacement blower kit	Yes

\* Parts not illustrated.



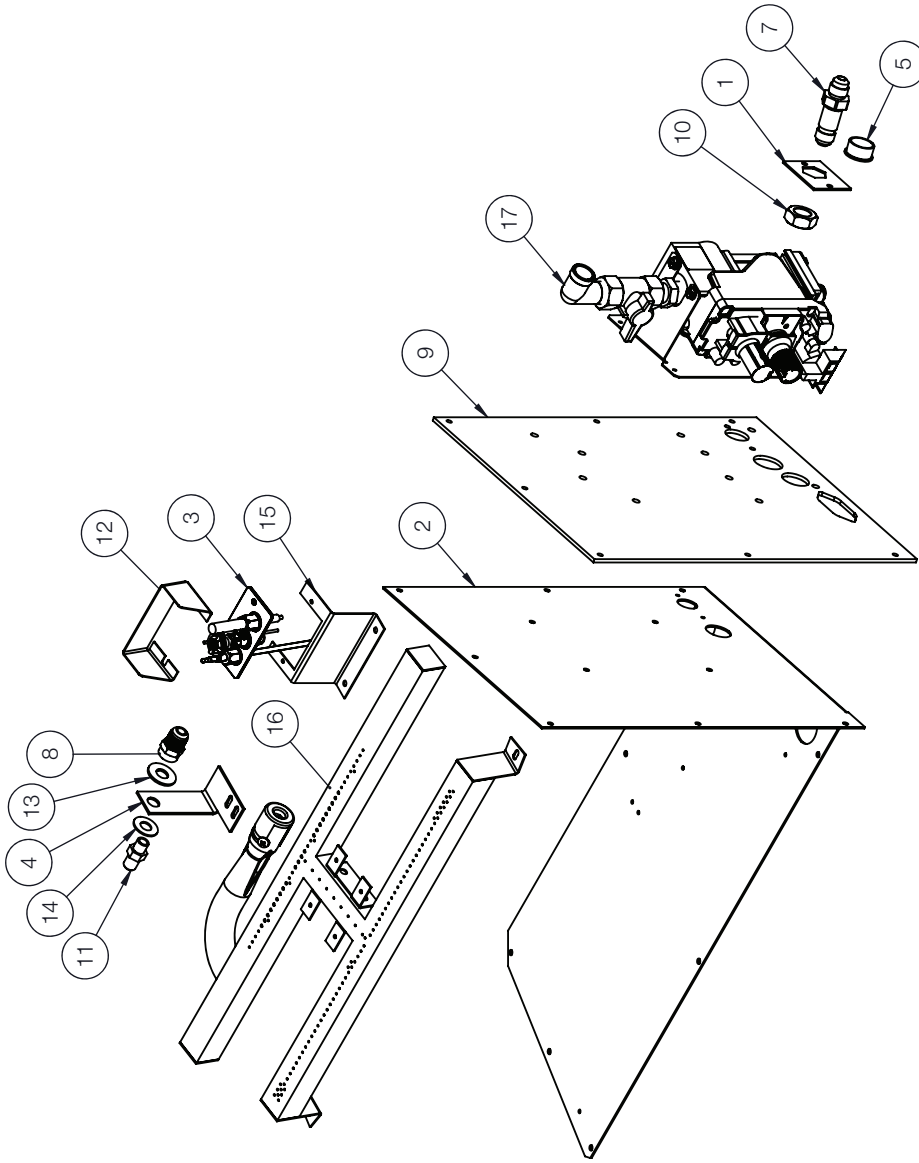
**9.2 right side access plate assembly**



Items may not appear exactly as illustrated

Ref. No.	Part number	Description	Stocked
1	W750-0467	Wire harness (10 ft. power cord)	
1	W750-0190	Wire harness (power cord) (TDI3-1 only)	
1	W750-0492	Wire harness (TDI3E-1)	
2	W190-0090	Bluetooth control module (TDIG/X3-1)	Yes
3	W190-0177-SER	Proflame 2 control (TDIG/X3-1)	Yes
3	W190-0176-SER	Proflame 2 control (TDI3E-1)	Yes
4	W707-0019	Transformer (TDIG/X3-1)	Yes
5	W350-0655	Proflame 2 battery housing (TDIG/X3-1)	Yes
6	W750-0276	Wire harness (TDIG/X3-1)	Yes
6	W750-0267	Wire harness (TDI3E-1)	Yes
7	W750-0472	Aux. harness (TDIG/X3/E3-1)	Yes
8	W750-0268	Wire, battery housing (TDIG/X3-1)	Yes
9	W350-0702	Battery housing (TDI3E-1)	Yes
10	W750-0191	ACS switch (TDI3E-1)	Yes

9.3 valve train assembly (TDI3-1)

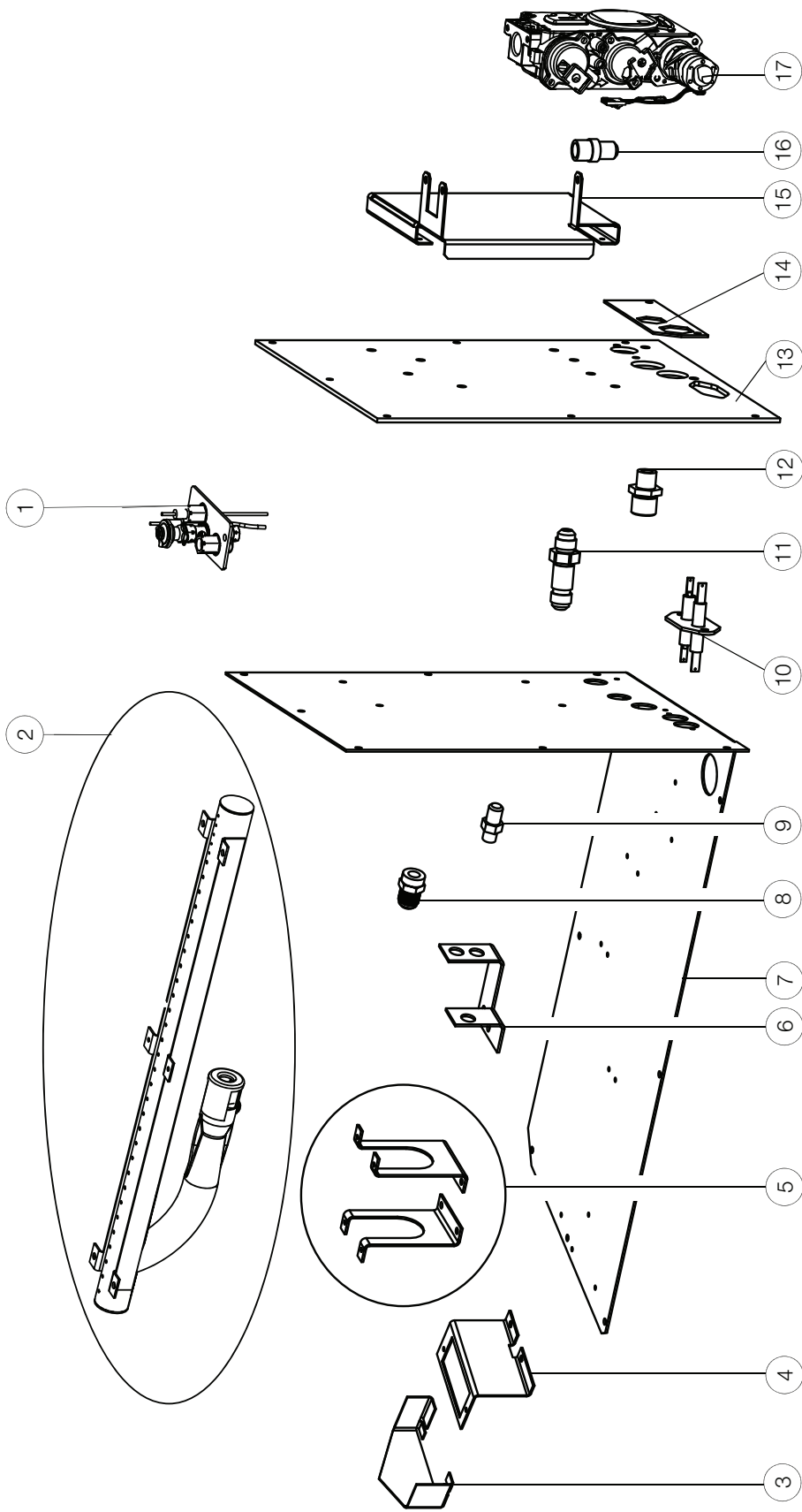


Items may not appear exactly as illustrated.

Ref. No.	Part Number	Description	Stocked	Ref. No.	Part Number	Description	Stocked
1	W500-1130	Securing plate		10	W450-0050	5/8"-18 nut	
2	W710-0139	Burner tray		11	W456-0043	Burner orifice #43 (NG)	Yes
3	W010-0633	Pilot assembly	Yes	11	W456-0053	Burner orifice #53 (P)	Yes
4	W080-1915	Orifice bracket		12	W585-0931	Pilot shield	
5	W105-0001	Bushing		13	W735-0019	7/16" washer	
6*	W175-0281	9" flex connection		14	W735-0051	3/8" washer	
7	N255-0002-SER	3/8 union bulkhead fitting	Yes	15	W080-1910	Pilot bracket	
8	W255-0002	3/8 tube to 1/8 pipe fitting		16	W100-0244	Burner	
9	W290-0866	Burner tray gasket		17	W010-5122	Valve assembly	

\* Parts not illustrated.

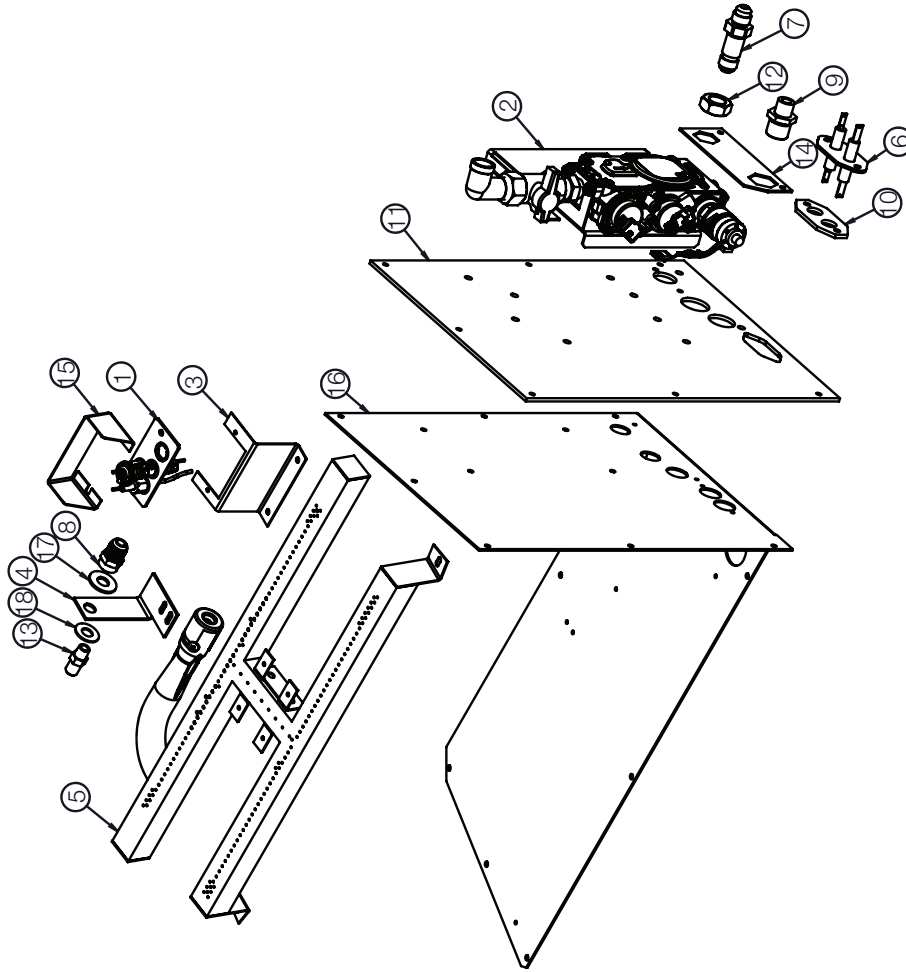
9.4 valve train assembly (TDIG3-1)



Items may not appear exactly as illustrated.

Ref. No.	Part Number	Description	Stocked	Ref. No.	Part Number	Description	Stocked
1	W010-3037	Pilot assembly	Yes	10	W240-0010	Electrode, double bulkhead	Yes
2	W010-4470	Tube burner assembly		11	N255-0002-SER	Bulkhead fitting	Yes
3	W350-0899	Pilot housing		12	W255-0021	Fitting	
4	W080-1895	Pilot bracket		13	W290-0938	Burner tray gasket	
5	W080-1194	Tube burner bracket		14	W500-1136	Securing plate	
6	W080-1189	Orifice bracket		15	W080-2044	Valve bracket	
7	W710-0135	Burner tray		16	W445-0038	Connector 3/8" tube to 3/8" pipe	Yes
8	W255-0002	3/8" tube to 1/8" NPT pipe		17	W725-0056	Valve (NG)	Yes
9	W456-0042	Burner orifice #42 (NG)	Yes				
9	W456-0053	Burner orifice #53 (P)	Yes				

9.5 valve train assembly (TDIX3-1)



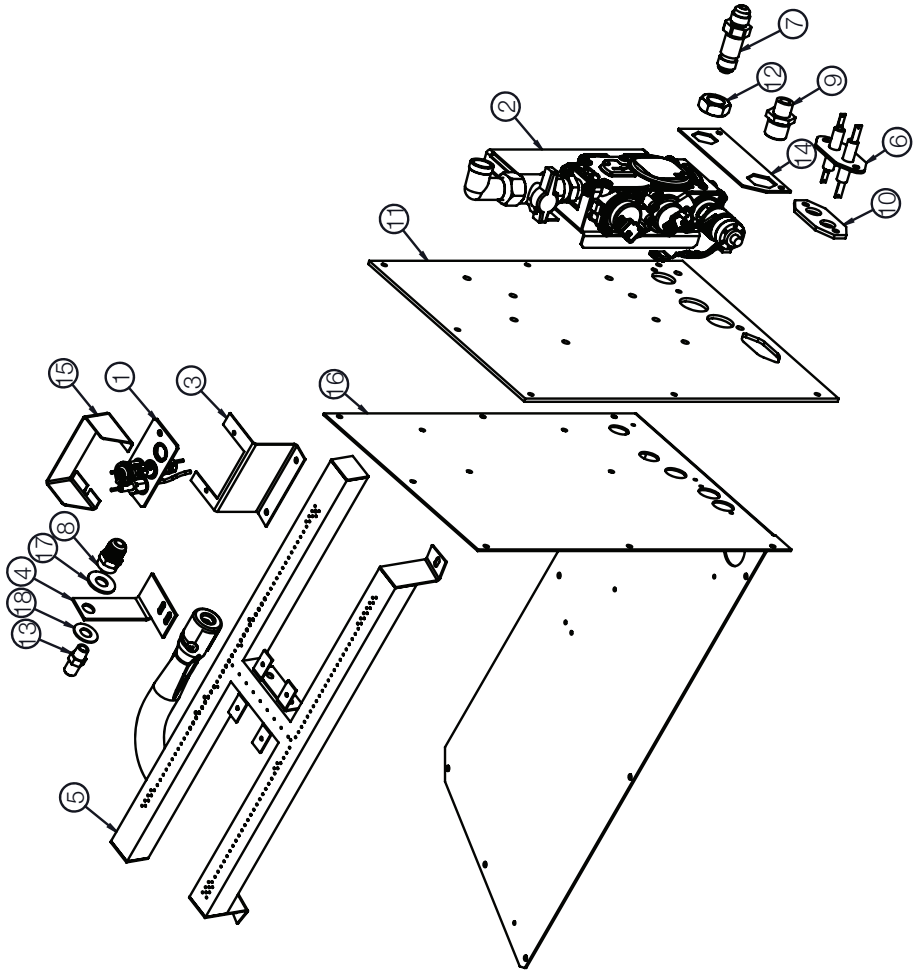
Items may not appear exactly as illustrated.

Ref. No.	Part Number	Description	Stocked
1	W010-3037	Pilot assembly	Yes
2	W010-6074	Valve assembly	
3	W080-1910	Pilot bracket	
4	W080-1915	Orifice bracket	
5	W100-0245	Burner	
6	W240-0010	Double electrode	Yes
7	N255-0002	3/8 union bulkhead fitting	Yes
8	W255-0002	3/8 tube to 1/8 pipe fitting	
9	W255-0021	Bulkhead	
10	W290-0137	Double bulkhead gasket	

Ref. No.	Part Number	Description	Stocked
11	W290-0938	Burner tray gasket	
12	W450-0050	5/8"-18 nut	
13	W456-0037	Burner orifice #37 (NG)	Yes
13	W456-0052	Burner orifice #52 (P)	Yes
14	W500-1129	Securing plate	
15	W585-0931	Pilot shield	
16	W710-0134	Burner tray	
17	W735-0019	7/16" washer	
18	W735-0051	3/8" washer	

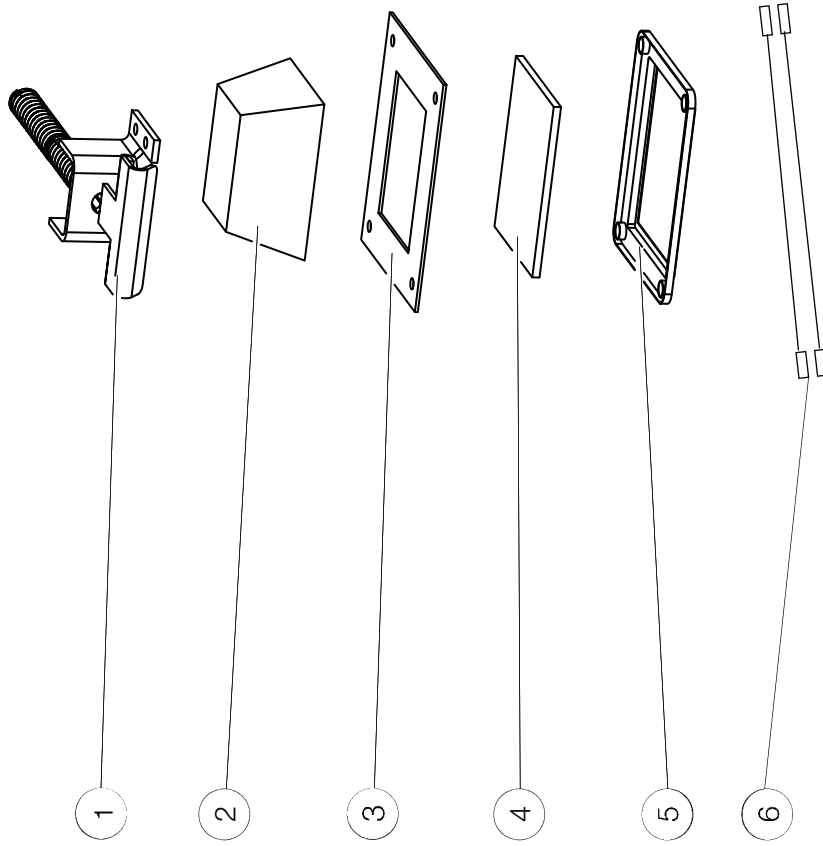
9.6 valve train assembly (TDI3E-1)



Items may not appear exactly as illustrated.

Ref. No.	Part Number	Description	Stocked	Ref. No.	Part Number	Description	Stocked
1	W010-3037	Pilot assembly	Yes	11	W290-0938	Burner tray gasket	
2	W010-6068	Valve assembly		12	W450-0050	5/8" -18 nut	
3	W080-1910	Pilot bracket		13	W456-0043	Burner orifice #43 (NG)	Yes
4	W080-1915	Orifice bracket		13	W456-0053	Burner orifice #53 (P)	Yes
5	W100-0244	Burner		14	W500-1129	Securing plate	
6	W240-0010	Double electrode	Yes	15	W585-0931	Pilot shield	
7	N255-0002	3/8 union bulkhead fitting	Yes	16	W710-0134	Burner tray	
8	W255-0002	3/8 tube to 1/8 pipe fitting		17	W735-0019	7/16" washer	
9	W255-0021	Bulkhead		18	W735-0051	3/8" washer	
10	W290-0137	Double bulkhead gasket					

9.7 firebox top assembly

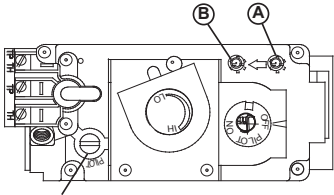


Items may not appear exactly as illustrated

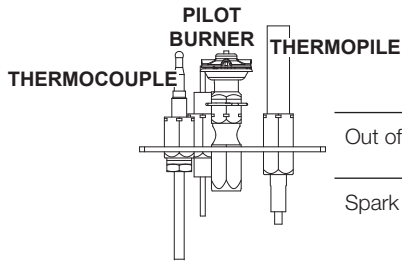
Ref. No.	Part number	Description	Stocked
1	W010-3684	Door latches (X2)	
2	W405-0095	High temperature light assembly	Yes
3	W290-0080	Cover plate gasket	Yes
4	W300-0086	Ceramic glass lens	Yes
5	W280-0071	Lens frame	Yes
6	W750-0473	Night light extension wire (TDIG/X3-1)	

## **WARNING**

- Always light the pilot whether for the first time or if the gas supply has run out, with the glass door open or removed.
- Turn off gas and electrical power before servicing the appliance.
- Appliance may be hot. Do not service until appliance has cooled.
- Do not use abrasive cleaners

symptom	problem	test solution													
Main burner flame is a blue, lazy, transparent flame.	Blockage in vent.	- Remove blockage. In really cold conditions, ice buildup may occur on the terminal and should be removed as required. To minimize this from happening again, it is recommended that the vent lengths that pass through unheated spaces (attics, garages, crawl spaces) be wrapped with an insulated mylar sleeve. Prevent sleeve from sagging. Contact your local authorized dealer for more information.													
Main burner goes out; pilot stays on.	Pilot flame is not large enough or not engulfing the thermopile.	- Turn up the pilot flame. - Replace pilot assembly.													
	Thermopile shorting.	- Clean thermopile connection to the valve. Reconnect. - Replace thermopile / valve.													
	Remote wall switch wire is too long; too much resistance in the system.	- Shorten wire to correct length or wire gauge.													
	Faulty thermostat or switch.	- Replace.													
Main burner goes out; pilot goes out.	Refer to "MAIN BURNER GOES OUT; PILOT STAYS ON"														
	Vent is blocked	- Check for vent blockage.													
	Vent is re-circulating	- Check joint seals and installation													
	Flexible vent has become disconnected from appliance.	- Re-attach to appliance. - Cap was not replaced.													
Flames are consistently too large or too small. Carboning occurs.	Appliance is over-fired or underfired.	- <b>Check pressure readings:</b> Inlet pressure can be checked by turning screw (A) counter-clockwise 2 or 3 turns and then placing pressure gauge tubing over the test point. Gauge should read as described on the chart below. Check that main burner is operating on 'HI'. Outlet pressure can be checked the same as above using screw (B). Gauge should read as described on the chart below. Check that main burner is operating on 'HI'. <b>AFTER TAKING PRESSURE READINGS, BE SURE TO TURN SCREWS CLOCKWISE FIRMLY TO RESEAL. DO NOT OVER TORQUE.</b> Leak test with a soap and water solution.													
		<table border="1" style="width: 100%; border-collapse: collapse; text-align: center;"> <thead> <tr style="background-color: #cccccc;"> <th>Pressure</th> <th>Natural Gas (inches)</th> <th>Natural Gas (millibars)</th> <th>Propane (inches)</th> <th>Propane (millibars)</th> </tr> </thead> <tbody> <tr> <td><b>Inlet</b></td> <td>* 13" (MIN. 4.5")</td> <td>17.4mb (MIN. 11.2mb)</td> <td>13" (MIN. 11")</td> <td>32.4mb (MIN. 27.4mb)</td> </tr> <tr> <td><b>Outlet</b></td> <td>3.5"</td> <td>8.7mb</td> <td>10"</td> <td>24.9mb</td> </tr> </tbody> </table>	Pressure	Natural Gas (inches)	Natural Gas (millibars)	Propane (inches)	Propane (millibars)	<b>Inlet</b>	* 13" (MIN. 4.5")	17.4mb (MIN. 11.2mb)	13" (MIN. 11")	32.4mb (MIN. 27.4mb)	<b>Outlet</b>	3.5"	8.7mb
Pressure	Natural Gas (inches)	Natural Gas (millibars)	Propane (inches)	Propane (millibars)											
<b>Inlet</b>	* 13" (MIN. 4.5")	17.4mb (MIN. 11.2mb)	13" (MIN. 11")	32.4mb (MIN. 27.4mb)											
<b>Outlet</b>	3.5"	8.7mb	10"	24.9mb											
	 <p style="text-align: center;"><b>PILOT SCREW</b></p> <p>* Maximum inlet pressure not to exceed 13"</p>														
	Air shutter improperly adjusted.	- Return air shutter to specified opening, see "venturi adjustment" section.													
Carbon is being deposited on glass, logs, rocks, media or combustion chamber surfaces.	Air shutter is blocked.	- Ensure air shutter opening is free of lint or other obstructions.													
	Flame is impinging on the glass, logs, rocks, media or combustion chamber.	- Ensure the media is positioned correctly in the appliance. - Open air shutter to increase the primary air. - Check the input rate: check the manifold pressure and orifice size as specified by the rating plate. - Ensure door gasketing is not broken or missing and the seal is tight. - Ensure vent liners are free of holes and well sealed at all joints. - Check that minimum rise per foot (meters) has been adhered to for any horizontal venting.													
White / grey film forms.	Sulphur from fuel is being deposited on glass, logs or combustion chamber surfaces.	- Clean the glass with a recommended gas fireplace glass cleaner. <b>DO NOT CLEAN GLASS WHEN HOT.</b> - If deposits are not cleaned off regularly, the glass may become permanently marked.													
Exhaust fumes smelled in room, headaches.	Appliance is spilling. (This is not applicable in outdoor appliances)	- Check door seal. - Check for exhaust damage. - Check that venting is installed correctly. - Room is in negative pressure; increase fresh air supply.													

# troubleshooting (millivolt - TDI3-1)

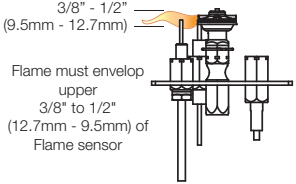


symptom	problem	test solution
Pilot will not light.	No spark at pilot burner.	- Check if pilot can be lit by a match.
		- Check that the wire is connected to the push button ignitor.
		- Check if the push button ignitor needs tightening.
		- Replace the wire if the wire insulation is broken or frayed.
Pilot goes out when the gas knob is released. <b>The gas valve has an interlock device which will not allow the pilot burner to be lit until the thermocouple has cooled. Allow approximately 60 seconds for the thermocouple to cool.</b>	Out of propane gas.	- Replace the electrode if the ceramic insulator is cracked or broken.
		- Replace the push button ignitor
		- Fill the tank.
		- Spark gap is incorrect.
Pilot flame is not large enough.	Spark gap is incorrect.	- Spark gap should be 0.150" (3.8mm) to 0.175" (4.5mm) from the electrode tip and the pilot burner. To ensure proper electrode location, tighten securing nut (finger tight plus 1/4 turn).
		- No gas at the pilot burner.
		- Check that the manual valve is turned on.
		- Check the pilot orifice for blockage.
Pilot flame is not engulfing the thermocouple	Thermocouple shorting / faulty.	- Replace the valve.
		- Call the gas distributor.
		- Loosen and tighten thermocouple.
		- Clean thermocouple and valve connection.
Pilot goes out while standing; Main burner is in 'OFF' position.	Faulty valve.	- Replace thermocouple.
		- Replace valve.
		- Purge the gas line.
		- Fill the tank.
Pilot burning; no gas to main burner; gas knob is on 'HI'; wall switch / thermostat is on.	Thermostat or switch is defective	- Turn up the pilot flame.
		- Gently twist the pilot head to improve the flame pattern around the thermocouple.
		- Connect a jumper wire across the wall switch terminals; if main burner lights, replace switch / thermostat.
		- Disconnect the switch wires & connect a jumper wire across terminals 1 & 3; if the main burner lights, check the wires for defects and/or replace wires.
Flames are very aggressive.	Door is ajar.	- Remove stoppage in orifice.
		- Replace.
		- Gas piping is undersized.
		- Turn on all gas appliances and see if pilot flame flutters, diminishes or extinguishes, especially when main burner ignites. Monitor appliance supply working pressure.
Remote wall switch is in 'OFF' position; main burner comes on when gas knob is turned to 'ON' position.	Venting action is too great.	- Check if supply piping size is to code. Correct all undersized piping.
		- Ensure the mechanical means of securing the door is providing a tight seal.
		- Check to ensure venting is properly sealed.
		- If restriction is required see "restricting vertical vents" section.
Remote wall switch is in 'OFF' position; main burner comes on when gas knob is turned to 'ON' position.	Wall switch wiring is defective.	- Reverse.
		- Replace.
		- Check for ground (short); repair ground or replace wire.
		- Replace.
Remote wall switch is in 'OFF' position; main burner comes on when gas knob is turned to 'ON' position.	Main burner orifice is plugged.	- Replace.
		- Replace.
		- Replace.
		- Replace.



## **WARNING**

- Always light the pilot whether for the first time or if the gas supply has run out, with the glass door open or removed.
- Turn off gas and electrical power before servicing the appliance.
- Appliance may be hot. Do not service until appliance has cooled.
- Do not use abrasive cleaners

symptom	problem	test solution															
Main burner flame is a blue, lazy, transparent flame.  (This is not applicable in outdoor appliances)	Blockage in vent.	- Remove blockage. In really cold conditions, ice buildup may occur on the terminal and should be removed as required. (To minimize this from reoccurring, the vent lengths that pass through unheated spaces (attics, garages, crawl spaces) should be wrapped with an insulated mylar sleeve).															
	Incorrect installation.	- Refer to “venting” section to ensure correct installation.															
Flames are consistently too large or too small. Carboning occurs.	Appliance is over-fired or under-fired.	- <b>Check pressure readings:</b> Inlet pressure can be checked by turning screw (A) counter-clockwise 2 or 3 turns and then placing pressure gauge tubing over the test point. Gauge should read as described on the chart below. Check that main burner is operating on ‘HI’. Outlet pressure can be checked the same as above using screw (B). Gauge should read as described on the chart below. Check that main burner is operating on ‘HI’. <b>After taking pressure readings, be sure to turn screws clockwise firmly to reseal. DO NOT OVER TORQUE.</b> Leak test with a soap and water solution.															
		<table border="1" style="width: 100%; border-collapse: collapse; text-align: center;"> <thead> <tr> <th>Pressure</th> <th>Natural Gas (inches)</th> <th>Natural Gas (millibars)</th> <th>Propane (inches)</th> <th>Propane (millibars)</th> </tr> </thead> <tbody> <tr> <td><b>Inlet</b></td> <td>*7" (minimum 4.5")</td> <td>17.4mb (minimum 11.2mb)</td> <td>13" (minimum 11")</td> <td>32.4mb (minimum 27.4mb)</td> </tr> <tr> <td><b>Outlet</b></td> <td>3.5"</td> <td>8.7mb</td> <td>10"</td> <td>24.9mb</td> </tr> </tbody> </table> <p style="text-align: right;"><b>*Maximum inlet pressure not to exceed 13" w.c.</b></p>	Pressure	Natural Gas (inches)	Natural Gas (millibars)	Propane (inches)	Propane (millibars)	<b>Inlet</b>	*7" (minimum 4.5")	17.4mb (minimum 11.2mb)	13" (minimum 11")	32.4mb (minimum 27.4mb)	<b>Outlet</b>	3.5"	8.7mb	10"	24.9mb
Pressure	Natural Gas (inches)	Natural Gas (millibars)	Propane (inches)	Propane (millibars)													
<b>Inlet</b>	*7" (minimum 4.5")	17.4mb (minimum 11.2mb)	13" (minimum 11")	32.4mb (minimum 27.4mb)													
<b>Outlet</b>	3.5"	8.7mb	10"	24.9mb													
	Air shutter improperly adjusted.	- Return air shutter to specified opening, see “ <b>venturi adjustments</b> ” section in the installation manual.															
Carbon is being deposited on glass, logs, rocks, media, or combustion chamber surfaces.	Air shutter is blocked.	- Ensure air shutter opening is free of lint or other obstructions.															
	Flame is impinging on the glass, logs, rocks, media or combustion chamber.	- Ensure the media is positioned correctly in the appliance. - Open air shutter to increase the primary air. - Check the input rate: check the manifold pressure and orifice size as specified by the rating plate. - Ensure door gaskets are not broken or missing and the seal is tight. - Ensure vent liners are free of holes and well sealed at all joints. - Check that minimum rise per foot (meters) has been adhered to for any horizontal venting.															
White / grey film forms.	Sulphur from fuel is being deposited on glass, logs, or combustion chamber surfaces.	- Clean the glass with a recommended gas fireplace glass cleaner. <b>DO NOT CLEAN GLASS WHEN HOT.</b> - If deposits are not cleaned off regularly, the glass may become permanently marked.															
Exhaust fumes smelled in room, headaches.	Appliance is spilling. (This is not applicable in outdoor appliances).	- Check door seal. - Check for exhaust damage. - Check that venting is installed correctly. - Room is in negative pressure; increase fresh air supply.															

# troubleshooting (electronic TDI3E-1/TDIG3-1/TDIX3-1)

symptom	problem	test solution
Pilot will not light. Makes noise with no spark at pilot burner.	Wiring: short, loose, or damaged connections (poor flame rectification).	<ul style="list-style-type: none"> <li>- Verify the thermocouple/sensor is clean and the wiring is undamaged.</li> <li>- Verify the interrupter block is not damaged or too tight. Verify connections from pilot assembly are tight; also verify the connections are not grounding out to any metal. (Remember, the flame carries the rectification current, not the gas. If flame lifts from pilot hood, the circuit is broken. A wrong orifice or too high of an inlet pressure can cause the pilot flame to lift)*. The sensor rod may need cleaning.</li> </ul>
	No signal from remote with no pilot ignition.	<ul style="list-style-type: none"> <li>- Reprogram receiver code.</li> <li>- Replace receiver.</li> </ul>
	Poor grounding.	<ul style="list-style-type: none"> <li>- Verify the valve / pilot assembly are properly grounded</li> </ul>
	Improper switch wiring.	<ul style="list-style-type: none"> <li>- Troubleshoot the system with the simplest <b>on/off</b> switch.</li> </ul>
	Dirty, painted, or damaged pilot and/or dirty sensor rod.	<ul style="list-style-type: none"> <li>- Clean sensor rod with a green Scotch-Brite™ pad to remove any contamination that may have accumulated. Verify continuity with multimeter with ohms set at the lowest range.</li> </ul>
Pilot sparks but will not light.	Gas supply.	<ul style="list-style-type: none"> <li>- Verify that the incoming gas line ball valve is "open".</li> <li>- Verify that the inlet pressure reading is within acceptable limits, inlet pressures must not exceed 13" W.C. (32.4mb).</li> </ul>
	Out of propane gas.	<ul style="list-style-type: none"> <li>- Fill the tank.</li> </ul>
	Pilot supply line may contain air.	<ul style="list-style-type: none"> <li>- Repeat ignition process several times or purge the pilot supply line.</li> </ul>
	Incorrect wiring / grounding.	<ul style="list-style-type: none"> <li>- Ensure correct polarity of wiring of thermocouple (if equipped).</li> <li>- Verify pilot assembly / valve are properly grounded.</li> </ul>
	Receiver (if equipped).	<ul style="list-style-type: none"> <li>- Reset program: hold reset button on receiver and wait for 2 beeps. Release after second beep. Press small flame button on remote within 20 seconds, you will hear an additional beep (this signals a successful reset).</li> <li>- Replace receiver.</li> </ul>
	Valve.	<ul style="list-style-type: none"> <li>- Check valve and replace if necessary (Do not to overtighten thermocouple).</li> </ul>
Burner continues to spark and pilot lights but main burner does not light.	Short or loose connection in sensor rod.	<ul style="list-style-type: none"> <li>- Verify all connections. Verify the connections from the pilot assembly are tight. Also, verify these connections are not grounding out to any metal.</li> </ul>
	Dirty, painted, or damaged pilot assembly components.	<ul style="list-style-type: none"> <li>- Clean using a green Scotch-Brite™ pad to remove any contamination that may have accumulated on the sensor rod, pilot hood, ignitor, or flame sensor. Verify continuity with multimeter with ohms set at the lowest range.</li> </ul>
Remote wall switch is in "off" position; burner comes on.	Wall switch mounted upside down.	<ul style="list-style-type: none"> <li>- Reverse.</li> </ul>
	Remote wall switch and/or wire is grounding.	<ul style="list-style-type: none"> <li>- Replace.</li> <li>- Check for ground (short); repair ground or replace wire.</li> </ul>
	Faulty wire	<ul style="list-style-type: none"> <li>- Replace.</li> </ul>
Remote and / or receiver is not functioning properly.	Remote controls lights but no spark or flame. (Remote is locked out).	<ul style="list-style-type: none"> <li>- Reset by turning power source off then on.</li> </ul> <div style="border: 1px solid black; padding: 2px; margin-top: 5px;"> <p><b>note:</b> If back up batteries are installed, they must also be removed to re-program</p> </div>
	Receiver or remote has low battery.	<ul style="list-style-type: none"> <li>- Replace batteries.</li> </ul>
	Appliance functions but does not respond to receiver / remote	<ul style="list-style-type: none"> <li>- Ensure appliance is being operated by the same device that turned it on. Remote controls function if appliance was turned on by remote. Receiver controls function if appliance was turned on by receiver.</li> </ul>
	Error with synchronizing.	<ul style="list-style-type: none"> <li>- Reset receiver and remote.</li> </ul>
	Remote too far away from receiver.	<ul style="list-style-type: none"> <li>- Refer to "wiring diagram" section.</li> </ul>
	Wire connector pins are bent.	<ul style="list-style-type: none"> <li>- Straighten pins.</li> </ul>
	Valve wiring is damaged.	<ul style="list-style-type: none"> <li>- Replace valve.</li> </ul>

symptom	problem	test solution
Lights or blower won't function (if equipped).	Control module switch in wrong position.	- Verify ON/OFF switch is in the "I" position which denotes on.
	COM switch is unplugged.	- Verify "COM" switch is plugged into the front of the control module.
Flames are very aggressive.	Door is ajar.	- Ensure door is secured properly.
	Venting action is too great.	- Check to ensure venting is properly sealed or restrict vent exit with restrictor plate. (Not available in all appliances).
Appliance won't perform any functions.	No power to the system.	- Check breaker to verify it's in the "on" position.
	Receiver switch in wrong position (if equipped).	- Verify that the 3 position switch on the receiver is in the remote position (middle).
	Transmitter isn't operational.	- Check battery power and battery orientation.

**The following applies specifically to the SIT system only:**

Pilot will not light. Makes no noise with no spark at pilot burner. (Lights and blower operate, if equipped).	Ignition box has been locked out.	<p>Choose one of the 3 methods below to reset the system.</p> <ol style="list-style-type: none"> <li>1. To reset ignition box when locked out. Turn off power supply and remove batteries (if used) from the back up battery pack.</li> <li>2. To reset the DFC Board when the board goes into a lock out condition and the LED is blinking 3 times using the transmitter <b>on/off</b> button:                             <ul style="list-style-type: none"> <li><b>Step 1:</b> Turn the system off by pressing the <b>on/off</b> button to turn the system off.</li> <li><b>Step 2:</b> After approximately 2 seconds press the <b>on/off</b> button on the transmitter again. The DFC Board will reset and the ignition sequence will start again.</li> </ul> </li> <li>3. To reset the DFC Board when the board goes into a lock out condition and the LED is blinking 3 times by cycling flame:                             <ul style="list-style-type: none"> <li><b>Step 1:</b> In the manual flame control mode, use the down arrow button to reduce the flame to off, indicated by the word OFF displayed on the transmitter LCD screen.</li> <li><b>Step 2:</b> Wait approximately 2 seconds and press the up arrow button, the ignition sequence will start.</li> </ul> </li> </ol>
---	-----------------------------------	---

**note:**

Starting from **off**, press the **on** button on the transmitter. After approximately 4 seconds **on/off** button is pressed, the ignition board will start the spark. The attempt for ignition will last approximately 60 seconds. If there is no flame ignition (rectification), the board will stop sparking and the board will go into lock out.

Timberwolf® products are manufactured under the strict standard of the world recognized ISO 9001 : 2015 Quality Management System.

Timberwolf® products are designed with superior components and materials assembled by trained craftsmen who take great pride in their work. The burner and valve assembly are leak and test-fired at a quality test station. The complete appliance is again thoroughly inspected by a qualified technician before packaging to ensure that you, the customer, receives the quality product that you expect from Timberwolf®.

## Timberwolf® Gas Appliance Limited Warranty

The following materials and workmanship in your new Timberwolf® gas appliance are warranted against defects for a period of 5 years, this covers: combustion chamber, heat exchanger, stainless / steel burner, Phazer™ logs and embers, rocks, ceramic glass (thermal breakage only), gold plated parts against tarnishing, porcelainized enameled components and aluminum extrusion trims.\*

Electrical (110V and millivolt) components and wearable parts are covered and Timberwolf® will provide replacement parts free of charge during the first year of the limited warranty. This covers: blowers, gas valves, thermal switches, switches, wiring, remote controls, ignitors, gaskets and pilot assemblies.\*

Any labour related to warranty repair is not covered.

\* Construction of models vary. Warranty applies only to components included with your specific appliance.

## Conditions and Limitations

Timberwolf® warrants its products against manufacturing defects to the original purchaser only. Registering your warranty is not necessary. Simply provide your proof of purchase along with the model and serial number to make a warranty claim. Timberwolf® reserves the right to have its representative inspect any product or part thereof prior to honouring any warranty claim. Provided that the purchase was made through an authorized Timberwolf® dealer your appliance is subject to the following conditions and limitations:

Warranty coverage begins on the date of original installation. This factory warranty is non-transferable and may not be extended whatsoever by any of our representatives. The gas appliance must be installed by a licensed, authorized service technician or contractor. Installation must be done in accordance with the installation instructions included with the product and all local and national building and fire codes. This limited warranty does not cover damages caused by misuse, lack of maintenance, accident, alterations, abuse or neglect, and parts installed from other manufacturers will nullify this warranty. This limited warranty further does not cover any scratches, dents, corrosion or discoloring caused by excessive heat, abrasive and chemical cleaners nor chipping on porcelain enamel parts, mechanical breakage of Phazer™ logs and embers. In the first year only, this warranty extends to the repair or replacement of warranted parts which are defective in material or workmanship provided that the product has been operated in accordance with the operation instructions and under normal conditions. After the first year, with respect to this Limited Warranty, Timberwolf® may, at its discretion, fully discharge all obligations with respect to this warranty by refunding to the original warranted purchaser the wholesale price of any warranted but defective part(s).

Timberwolf® will not be responsible for installation, labour, or any other expenses related to the reinstallation of a warranted part and such expenses are not covered by this warranty. Notwithstanding any provisions contained in the Limited Warranty, Timberwolf®'s responsibility under this warranty is defined as above and it shall not in any event extend to any incidental, consequential or indirect damages. This warranty defines the obligations and liability of Timberwolf® with respect to the Timberwolf® gas appliance and any other warranties expressed or implied with respect to this product, its components or accessories are excluded. Timberwolf® neither assumes, nor authorizes any third party to assume, on its behalf, any other liabilities with respect to the sale of this product. Timberwolf® will not be responsible for: over-firing, downdrafts, spillage caused by environmental conditions such as rooftops, buildings, nearby trees, hills, mountains, inadequate vents or ventilation, excessive venting configurations, insufficient makeup air, or negative air pressures which may or may not be caused by mechanical systems such as exhaust fans, furnaces, clothes dryers, etc. Any damages to the appliance, combustion chamber, heat exchanger, plated trim or other components due to water, weather damage, long periods of dampness, condensation, damaging chemicals or cleaners will not be the responsibility of Timberwolf®. All parts replaced under the Limited Warranty Policy are subject to a single claim.

All parts replaced under the warranty will be covered for a period of 90 days from the date of their installation. The manufacturer may require that defective parts or products be returned or that digital pictures be provided to support the claim. Returned products are to be shipped prepaid to the manufacturer for investigation. If a product is found to be defective, the manufacturer will repair or replace such defect. Before shipping your appliance or defective components, your dealer must obtain an authorization number. Any merchandise shipped without authorization will be refused and returned to sender. Shipping costs are not covered under this warranty. Additional service fees may apply if you are seeking warranty service from a dealer. Labour, travel diagnostic tests, shipping and other related charges are not covered by this warranty.

All specifications and designs are subject to change without prior notice due to on-going product improvements. Timberwolf® is a registered trademark of Wolf Steel Ltd.





**TIMBERWOLF**

Produced and distributed by:

**WOLF STEEL** LTD.

24 Napoleon Road, Barrie, Ontario, Canada L4M 0G8  
Tel: 1-866-820-8686

[timberwolffireplaces.com](http://timberwolffireplaces.com)



TIMBERWOLF

# MANUEL D'INSTALLATION

## CONSIGNES DE SÉCURITÉ

### ⚠️ AVERTISSEMENT

#### RISQUE D'INCENDIE OU D'EXPLOSION

Incapacité à suivre ces avertissements exactement peuvent entraîner de grave blessures, des pertes de vie ou des dommages matériels.

- N'entreposez pas et n'utilisez pas d'essence ou autres liquides et vapeurs inflammables à proximité de cet appareil ou tout autre appareil.

#### - QUE FAIRE SI VOUS DÉTECTEZ UN ODEUR DE GAZ:

- N'allumez aucun appareil.
- Ne touchez à aucun interrupteur électrique; n'utilisez aucun téléphone dans votre immeuble.
- Appelez immédiatement votre fournisseur de gaz d'un téléphone voisin. Suivez ses instructions.
- Si vous ne pouvez pas rejoindre votre fournisseur de gaz, appelez le service des incendies.

- L'installation et l'entretien doivent être faits par un installateur qualifié, une agence d'entretien ou le fournisseur.

Cet appareil peut être installé dans une maison préfabriquée (mobile) déjà installée à demeure si les règlements locaux le permettent.

Cet appareil doit être utilisé uniquement avec le type de gaz indiqué sur la plaque d'homologation. Cet appareil ne peut être converti à d'autres gaz, sauf si une trousse de conversion est utilisée.

#### INSTALLATEUR:

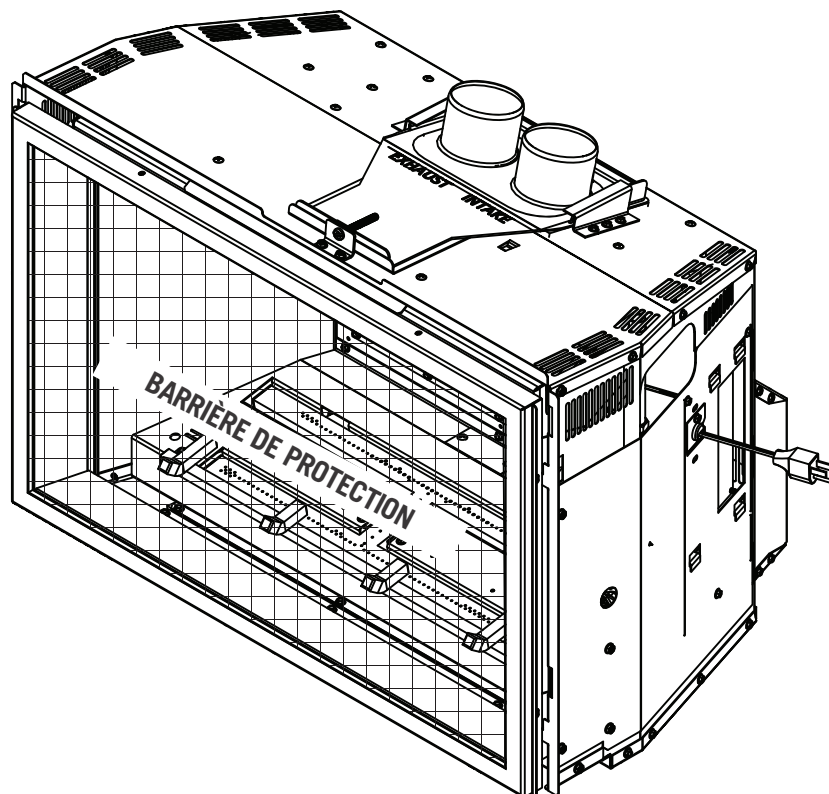
Laissez ce manuel avec l'appareil

#### PROPRIÉTAIRE:

Conservez ce manuel pour consultation ultérieure

## Série Encastré en Gaz

(TDIX3-1 Illustrée)



### POUR USAGE INTÉRIEUR SEULEMENT

CERTIFIÉ SELON LES NORMES NATIONALES CANADIENNES ET AMÉRICAINES:  
CSA 2.33 ET ANSI Z21.88 POUR FOYER AU GAZ À ÉVACUATION

PLACER L'ÉTIQUETTE BARCODE SUR  
LE MANUEL DU PROPRIÉTAIRE



BARRIER



## AVERTISSEMENT

- **Cet appareil est chaud lorsqu'il fonctionne et peut causer de graves brûlures en cas de contact.**
- **Toute modification apportée à cet appareil ou aux contrôles peut être dangereuse et est interdite.**
- Ne faites pas fonctionner l'appareil avant d'avoir lu et compris les instructions d'opération. Omettre d'utiliser l'appareil selon les instructions d'opération pourrait causer un incendie ou des blessures.
- S'assurez que la porte vitrée est ouverte ou retirée de l'appareil lorsque vous allumez le pilote pour la première fois et lorsque le gaz est épuisé.
- Risque d'incendie ou d'asphyxie, ne faites pas fonctionner l'appareil avec la vitre retirée et jamais obstruer l'ouverture sur le devant de l'appareil.

- Ne branchez pas la soupape à du courant 110 volts, avec les exception de modèles; GSST8 et GT8.
- Risque de brûlures. L'appareil doit être éteint et refroidi avant d'effectuer un entretien.
- N'installez pas de composants endommagés ou incomplets ni des composants substitués.
- Risque de coupures et d'éraflures. Portez des gants protecteurs, des chaussures de protection et des lunettes de sécurité lors de l'installation. Les bordures des pièces de métal peuvent être coupantes.
- Ne brûlez pas de bois ou autres matériaux dans cet appareil.
- Assurez-vous d'une quantité suffisante d'air de combustion et de ventilation. Prévoyez un accès suffisant pour entretenir et opérer l'appareil.
- Haute pression endommagera la soupape. Débrancher la tuyauterie d'alimentation en gaz avant de tester la pression de ligne de gaz à la pression d'essai au-dessus de 1/2 psig. Fermer l'arrêt manuel du soupape avant de tester la pression de ligne de gaz à la pression égale ou inférieure à 1/2psig (35mb).
- L'appareil ne doit pas être utilisé aux températures au-dessous de zéro (32°F / 0°C). Permettre à l'appareil pour réchauffer au-dessus de zéro avant le fonctionnement, avec l'exception de modèles; GSS36, GSS42; ces appareils sont adaptés pour 0°F / -18°C.
- **Les enfants et les adultes devraient être informés des dangers que posent les températures de surface élevées et se tenir à distance afin d'éviter des brûlures ou que leurs vêtements ne s'enflamment.**
- **Les jeunes enfants doivent être surveillés attentivement lorsqu'ils sont dans la même pièce que l'appareil. Les jeunes enfants et autres personnes à risque sont sujets aux brûlures accidentelles. Une barrière de protection est recommandée si des individus à risque se trouvent dans la maison. Afin de restreindre l'accès à l'appareil, installez une barrière de protection ajustable pour garder les jeunes enfants ou autres personnes à risque hors de la pièce et loin des surfaces chaudes.**
- **Les vêtements et autres matériaux combustibles ne doivent pas être posés sur l'appareil ou à proximité.**
- **En raison des températures élevées, l'appareil devrait être placé loin des endroits passants et loin des meubles et des rideaux.**
- Les meubles ou autres objets doivent être gardés à une distance d'au moins 4 pieds (1.22m) du devant de l'appareil.
- Assurez-vous de disposer de mesures de sécurité adéquates pour empêcher les jeunes enfants de toucher aux surfaces chaudes.
- Même une fois que l'appareil est éteint, l'appareil demeurera chaud pendant un temps prolongé.
- Consultez votre détaillant local de l'appareil pour connaître les écrans de protection et les protections du foyer offerts pour protéger les enfants des surfaces chaudes. Ces écrans de protection et les protections du foyer doivent être fixés au plancher.
- **Tout écrans de protection, garde ou barrière enlevés pour faire l'entretien devront être remis en place avant d'utiliser l'appareil.**
- Il est primordial de garder propres les compartiments de contrôle, les brûleurs, la soufflerie, les bouches d'air de l'appareil ainsi que le système d'évacuation. L'appareil et son système d'évacuation doivent être inspectés avant la première utilisation et au moins une fois l'an par un spécialiste en entretien. Un entretien plus fréquent pourrait être nécessaire en raison des peluches provenant des tapis, literie, etc. L'emplacement de l'appareil doit être gardé libre de tous matériaux combustibles, essence ou autres liquides et vapeurs inflammables.
- Si l'appareil s'éteint, n'allumez pas l'appareil jusqu'à ce que vous donniez de l'air frais. Si l'appareil continue de s'éteindre, faire réparer. Garder propres le brûleur et le compartiment de contrôle.
- Cet appareil ne devra être modifié en aucun cas.
- Ne laissez pas les ventilateurs souffler directement sur l'appareil. Empêchez les courants d'air de modifier l'apparence de la flamme.

## AVERTISSEMENT



**LA VITRE CHAUDE CAUSERA DES BRÛLURES.**

**NE PAS TOUCHER LA VITRE AVANT QU'ELLE AIT REFROIDI.**

**NE JAMAIS LAISSER LES ENFANTS TOUCHER LA VITRE.**

Une barrière conçue à réduire le risque de brûlures causées par le verre chaud est fourni avec l'appareil et doit être installé pour la protection des enfants et d'autres personnes à risque.



## AVERTISSEMENT

- N'utilisez pas une soufflerie intégrée, un échangeur de chaleur intégré ni un autre accessoire non approuvé pour cet appareil.
- Cet appareil ne doit pas être raccordé au conduit d'une cheminée desservant un autre appareil de chauffage à combustible solide.
- N'utilisez pas cet appareil si une partie quelconque a été submergée. Contactez immédiatement un technicien de service qualifié pour inspecter l'appareil et pour remplacer toute pièce du système de contrôle et du contrôle du gaz qui aurait été submergée.
- Ne pas opérer l'appareil lorsque la porte vitrée est enlevée, fissurée ou brisée. Le remplacement de la vitre devra être effectué par un technicien de service certifié ou qualifié, si équipé.
- Ne frappez pas et ne claquez pas la porte vitrée de l'appareil, si équipé.
- **Seulement les portes/façades certifiées pour l'appareil peuvent être utilisées avec cet appareil.**
- Gardez les matériaux d'emballage hors de la portée des enfants et mettez ces matériaux au rebut de façon sécuritaire. Comme tous les emballages de plastique, ces matériaux ne sont pas des jouets et doivent demeurer hors de la portée des enfants et des bébés.
- Le carbone ou la suie ne doit pas se produire dans un appareil sans événement car il peut être distribué dans une zone habitable de votre maison. Si vous remarquez des signes de carbone ou de suie, éteignez immédiatement votre appareil et arrangez-le pour le faire entretenir par un technicien qualifié avant de l'actionner à nouveau.
- Si équipé, l'écran doivent être (fermez) en place pendant le fonctionnement de l'appareil.
- Lorsque l'appareil est muni de portes d'évacuation de pression, elles doivent demeurer fermées pendant le fonctionnement de l'appareil afin d'empêcher les gaz de combustion contenant du monoxyde de carbone de s'infiltrer dans la maison. La température des gaz de combustion s'échappant par ces ouvertures peut aussi causer les matériaux combustibles avoisinants à surchauffer et à prendre feu.
- L'empoisonnement au monoxyde de carbone peut conduire à la mort; les premiers signes d'une intoxication au monoxyde de carbone ressemblent à la grippe, avec céphalées, vertiges et/ou des nausées. Si vous présentez ces signes, l'appareil peut ne pas fonctionner correctement. Obtenir l'air frais! Faire réparer l'appareil. Certaines personnes; les femmes enceintes, les personnes ayant une maladie cardiaque ou pulmonaire, anémie, ceux sous l'influence de l'alcool, ceux à haute altitude sont plus touchés par le monoxyde de carbone que d'autres. Défaut de garder l'ouverture d'air primaire(s) du brûleur(s) propre peut entraîner la formation de suies et dommages à la propriété.
- Comme dans le cas de tout appareil à combustion, il est recommandé de faire inspecter et entretenir votre appareil régulièrement. De même, installez un détecteur de monoxyde de carbone dans la pièce pour vous protéger, ainsi que votre famille, contre les intoxications (pas applicable pour les appareils pour l'extérieure).
- Assurez-vous que les distances requises pour les dégagements aux matériaux combustibles sont respectées lorsque vous installez une tablette décorative ou des tablettes au-dessus de l'appareil. En raison des températures élevées, un téléviseur ou d'autres composants électroniques pourraient être endommagés prématurément ou ils pourraient fondre, se déformer ou se décolorer.
- **Pour les appareils avec une barrière; si la barrière est endommagée, elle devra être remplacée par la barrière conçu par le fabricant pour cet appareil.**
- **L'installation et la réparation devraient être effectuées par un technicien qualifié. Il est impératif que les compartiments de contrôle, le brûleur et les passages de circulation d'air soient gardés propres afin de fournir une combustion et une circulation d'air adéquates.**
- Produits pour l'extérieur seulement: Cet appareil ne doit pas être installé à l'intérieur ni dans une structure qui empêche la dissipation des gaz de combustion dans l'environnement extérieur.
- S'il y a lieu, la version de millivolt de cet appareil utilise et requiert un thermocouple à action rapide. Remplacez uniquement par un thermocouple à action rapide de Wolf Steel Itée.

** AVERTISSEMENT: Ce produit peut vous exposer à des substances chimiques incluant le plomb et les composés de plomb qui, selon l'État de Californie, causeraient le cancer, et des substances chimiques incluant le monoxyde de carbone qui, selon l'État de Californie, causeraient des malformations congénitales ou autres dangers pour la reproduction. Pour de plus amples renseignements, visitez le [www.P65Warnings.ca.gov](http://www.P65Warnings.ca.gov).**

<b> AVERTISSEMENT/ADVERTENCIA </b>	
<b>RISQUE D'INCENDIE / RETARD D'ALLUMAGE</b>	<b>RIESGO DE INCENDIO/PELIGRO DE ENCENDIDO DEMORADO</b>
<b>Une pression d'alimentation élevée peut endommager la soupape et ses composantes.</b>	<b>El suministro a alta presión dañará la válvula/los controles.</b>
Débrancher la soupape de gaz de la ligne d'alimentation en gaz pendant les essais de pression de ce système lorsque les pressions excèdent 1/2 lb/po2 (3,5 kPa).	Desconectar la válvula/el control principal de gas del aparato del caño de suministro cuando se compruebe la presión del sistema a más de 1/2 psi (3.5 kPa).
Isoler l'appareil en fermant la soupape d'arrêt pendant tout essai de pression du système d'alimentation en gaz lorsque les pressions sont de 1/2 lb/po2 (3,5 kPa) ou moins.	Aislar el aparato con su válvula de cierre durante cualquier comprobación de la presión de la cañería de suministro a una presión igual o inferior a 1/2 psi (3.5 kPa).
	

# table de matières

FR

<b>1.0</b>	<b>information générales</b>	<b>59</b>	<b>7.0</b>	<b>réglages</b>	<b>87</b>
1.1	taux et efficacités	60	7.1	réglage de la veilleuse	87
1.2	information à propos de la plaque d'homologation	62	7.2	réglage du venturi	87
1.3	instructions d'opération et d'allumage	63	7.3	caractéristiques de la flamme	88
1.4	soupape de fermeture	63	7.4	interrupteur mural optionnel	88
1.5	dimensions	64	<b>8.0</b>	<b>entretien</b>	<b>89</b>
1.6	dégagements minimaux aux matériaux combustibles	64	8.1	entretien annuel	90
<b>2.0</b>	<b>planification de l'installation</b>	<b>65</b>	8.2	soins de la vitre	90
2.1	mise à niveau l'appareil	65	8.3	soins des pièces plaquées	91
2.2	mise à niveau l'appareil	66	8.4	remplacement de la vitre de porte	91
2.3	installation de la cheminée	67	8.5	installation de plateau à média	91
2.4	branchement du gaz	68	8.6	remplacement de la lumière de veille (TDIG3-1 / TDIX3-1)	92
<b>3.0</b>	<b>finitions</b>	<b>69</b>	8.7	renstreignants d'événements verticaux	92
3.1	dégagements minimaux de tablette	69	8.8	remplacement de l'assemblage de la soupape	93
3.2	enlèvement et installation de la barrière de protection et la porte	70	8.9	accéder la soufflerie pour le service (si équipé)	93
3.3	disposition des bûches	71	<b>9.0</b>	<b>pièces de rechange</b>	<b>94</b>
3.3.1	disposition des bûches pour modèle TDI3-1 / TDI3E-1	71	9.1	vue d'ensemble	95
3.3.2	disposition des bûches pour modèle TDIX3-1	74	9.2	assemblage de plaque d'accès côté droit	96
3.4	panneaux décoratifs	76	9.3	assemblage de la soupape (TDI3-1)	97
3.5	installation des médias	77	9.4	assemblage de la soupape (TDIG3-1)	98
3.6	mise en place du logo	77	9.5	assemblage de la soupape (TDIX3-1)	99
3.7	braises incandescentes	78	9.6	assemblage de la soupape (TDI3E-1)	100
3.8	braises de charbon de bois	78	9.7	assemblage de la chambre de combustion	101
3.9	installation des piles (TDIG3-1 / TDIX3-1)	78	<b>10.0</b>	<b>guide de dépannage (millivolt - TDI3-1)</b>	<b>102</b>
3.10	installation des piles (TDI3E-1)	79	<b>11.0</b>	<b>guide de dépannage (électronique TDI3E-1/TDIG3-1/TDIX3-1)</b>	<b>104</b>
3.11	enlèvement du récepteur	79	<b>12.0</b>	<b>garantie</b>	<b>107</b>
3.12	installation de support pour récepteur optionnel F45/60 (TDI3-1)	80			
<b>4.0</b>	<b>information électrique</b>	<b>81</b>			
4.1	schéma de câblage (TDIG3-1 / TDIX3-1)	81			
4.2	schéma de câblage (TDI3E-1)	82			
<b>5.0</b>	<b>fonctionnement (millivolt - TDI3-1)</b>	<b>83</b>			
<b>6.0</b>	<b>fonctionnement (électronique - TDI3E-1, TDIG3-1, TDIX3-1)</b>	<b>84</b>			
6.1	veilleuse sur demand	85			
6.2	emplacement d'interrupteur ACS (TDI3E-1 seulement)	86			

## note:

L'information contenue dans ce manuel est jugée correcte au moment de l'impression. Wolf Steel Ltd. se réserve le droit de modifier ou de modifier toute information contenue dans ce manuel à tout moment sans préavis. Les modifications, autres que les éditoriaux, sont désignées par une ligne verticale dans la marge.

# Installateur, veuillez remplir la liste de contrôle de l'appareil dans le manuel du propriétaire.

## 1.0 information générales

Lorsque l'appareil est installé à une altitude de plus de 4 500 pieds (1382m) et en l'absence de recommandations particulières de l'autorité compétente locale, l'indice certifié du débit à haute altitude devra être réduit au taux de 4% pour chaque 1 000 pi (305m) supplémentaire. Les bruits causés par l'expansion et la contraction lors des cycles de chauffage et de refroidissement sont tout à fait normaux et il faut s'y attendre.

Cet appareil est approuvé pour une installation dans les salles de bain, les chambres à coucher, ou les chambres studio, et est certifié pour installation dans les maisons mobiles.

Cet appareil peut être converti de gaz naturel (GN) à propane (P) et vice versa. Pour convertir l'un à l'autre, consultez votre détaillant / distributeur autorisé.

**Cet appareil ne doit fonctionner qu'avec le gaz spécifié sur la plaque d'homologation. Cet appareil ne peut être converti à un autre type de gaz à moins d'utiliser un ensemble de conversion certifié.**

**note:**

Une barrière conçue à réduire le risque de brûlures à partir de la vitre chaude est à condition que avec l'appareil et sera être installés.

L'emballage de protection sur les pièces s'enlève mieux lorsque l'assemblage est à température ambiante ou lorsqu'il est chauffé à l'aide d'un séchoir à cheveux ou d'une autre source de chaleur similaire. L'emballage de protection doit être retiré avant d'utiliser l'appareil.

**Cet appareil est un produit décoratif. L'appareil n'est pas une source de chaleur et un combustible solide ne doit pas être utilisé avec cet appareil.**



Les piles doivent être mises au rebut conformément aux lois et à la réglementation locales. Certaines piles peuvent être recyclées dans votre centre de recyclage local. Renseignez-vous auprès de votre municipalité au sujet des directives de recyclage.

**important:**

Certains pièces et/ou composants sont emballées individuellement et doivent être installées en accord avec l'information dans ce manuel.

# information générales

## FR 1.1 taux et efficacités

<b>TDI3-1 / TDI3E-1</b>	<b>GN</b>	<b>P</b>
Altitude (PI)	0 - 4500	0 - 4500
Débit maximum (BTU/hr)	24 500	24 500
Rend. maximum (BTU/hr)	13 475	13 475

<b>TDIG3-1</b>	<b>GN</b>	<b>P</b>
Altitude (PI)	0 - 4500	0 - 4500
Débit maximum (BTU/hr)	24 000	24 000
Rend. maximum (BTU/hr)	14 808	14 808

<b>TDIX3-1</b>	<b>GN</b>	<b>P</b>
Altitude (PI)	0 - 4500	0 - 4500
Débit maximum (BTU/hr)	30 000	30 000
Rend. maximum (BTU/hr)	18 540	18 540

<b>TDI3-1 / TDI3E-1 / TDIG3-1 / TDIX3-1</b>	<b>GN</b>	<b>P</b>
Pression minimale d'alimentation en gaz	4,5" W.C. (11mb)	11" W.C. (27mb)
Pression maximale d'alimentation en gaz	7" * W.C. (17mb)	13" W.C. (32mb)
Pression au collecteur (lorsque le gaz circule)	3,5 W.C. (9mb)	10" W.C. (25mb)

\* Pression maximale d'alimentation ne devrait dépasser 13".

## ! AVERTISSEMENT

- Allumez toujours la veilleuse, qu ce soit pour la première fois ou lorsque l'approvisionnement en gaz est épuisé, avec la porte vitrée ouverte ou retirée.
- Prévoyez un accès suffisant pour entretenir et opérer l'appareil.
- Assurez-vous d'une quantité suffisante d'air de ventilation.
- N'obstruez jamais l'ouverture de l'appareil.
- Les objets placés devant l'appareil doivent être gardés à une distance d'au moins 48" (121,9cm) de la face vitrée de l'appareil.
- Les surfaces autour et surtout au-dessus de l'appareil peuvent devenir chaudes. Ne touchez pas l'appareil quand il fonctionne.
- Risque d'incendie ou d'explosion.
- Les pressions élevées endommageront la soupape. L'alimentation en gaz doit être débranchée pendant les essais de pression de ce système lorsque les pressions d'essai excèdent 1/2 lb/po<sup>2</sup> (3,5kpa). Fermez la soupape d'arrêt manuelle pendant tout essai de pression de système d'alimentation en gaz lorsque la pression est de 1/2 lb/po<sup>2</sup> (3,5mb) ou moins.
- N'utilisez que les accessoires optionnels et les pièces de rechange approuvés par Wolf Steel pour cet appareil. L'utilisation d'accessoires non listés (soufflerie, portes, persiennes, moulures, composants de gaz, composants d'évacuation, etc.) pourrait être non sécuritaire et annulera la garantie et la certification.
- L'appareil ne doit pas être utilisé aux températures au-dessous de 0°C (32°F). Permettre à l'appareil pour réchauffer au-dessus de zéro avant le fonctionnement.

**Cet appareil au gaz devrait être installé et entretenu par un installateur qualifié** en se conformant aux codes locaux. Les pratiques d'installation peuvent varier d'une région à l'autre. Il est donc important de connaître les normes spécifiques qui s'appliquent à votre région. Par exemple, dans l'état du Massachusetts:

- Ce produit doit être installé par un plombier certifié ou un installateur pour le gaz lorsque installé dans le Commonwealth du Massachusetts.
- Le registre de l'appareil doit être enlevé ou bloqué en le soudant en position ouverte avant d'installer un encastré ou un ensemble de bûches à gaz.
- La soupape d'arrêt doit être un robinet à gaz avec une poignée en T.
- Le raccord flexible ne doit pas mesurer plus que 36 pouces (914,4mm).
- Un détecteur de monoxyde de carbone est requis dans toutes les pièces contenant des appareils alimentés au gaz.
- L'appareil n'est pas approuvé pour installation dans une chambre à coucher ou une salle de bain à moins d'être un appareil avec une chambre de combustion scellée à évacuation directe.

L'installation doit se conformer aux codes locaux. En l'absence de codes locaux, l'installation doit être conforme au Code d'installation du gaz naturel et du propane CSA B149.1 au Canada ou au National Fuel Gas Code, ANSI Z223.1 / NFPA 54 aux États-Unis. Cet appareil convient pour installation dans une maison mobile si l'installation est conforme aux normes actuelles pour les maisons mobiles équipées au gaz CAN/CSA Z240 SÉRIE MM au Canada ou selon les normes ANSI Z223.1 et NFPA 54 aux États-Unis.



Nous suggérons que nos appareils au gaz soient installés et que l'entretien soit effectué par des professionnels certifiés par le National Fireplace Institute® (NFI) comme spécialiste du gaz NFI.

L'alimentation de gaz de l'appareil doit être débranchée pendant les essais de pression de ce système lorsque les pressions d'essai excèdent 1/2 lb/po<sup>2</sup> (3,5 kpa). Fermez la soupape d'arrêt manuelle pendant tout essai de pression du système d'alimentation en gaz lorsque la pression est de 1/2 lb/po<sup>2</sup> (3,5 mb) ou moins. Si la soufflerie ou ventilateur est installé la boîte de dérivation doit être branchée au circuit électrique et mise à la terre conformément aux codes locaux. En l'absence de codes locaux utilisez la version courante du Code Canadien de l'Électricité CSA C22.1 au Canada ou le National Electrical Code ANSI/NFPA 70 aux États-Unis. Dans le cas où le soufflerie est équipé d'un cordon d'alimentation il doit être connecté à une réceptacle correctement mise à la terre. La fiche de mise à la terre ne doit pas être retiré du cordon d'alimentation.

Ce qui suit ne s'applique pas aux foyers encastrés; tant que les distances requises pour les dégagements aux matériaux combustibles sont respectées, le meilleur endroit pour un appareil est le centre de la maison, car ceci permet une meilleure utilisation de la chaleur fournie. L'emplacement des fenêtres, des portes et la circulation dans la pièce où se trouve l'appareil devront être pris en considération.



## 1.3 instructions d'opération et d'allumage

### TDI3E-1

**OPERATING INSTRUCTIONS / INSTRUCTIONS D'OPÉRATION**  
**FOR YOUR SAFETY READ BEFORE OPERATING / POUR VOTRE SÉCURITÉ LIRE AVANT DE FAIRE FONCTIONNER**

**WARNING:** DO NOT TURN ON IF CHILDREN OR OTHER AT RISK INDIVIDUALS ARE NEAR THE APPLIANCE. IF YOU DO NOT FOLLOW THESE INSTRUCTIONS EXACTLY, A FIRE OR EXPLOSION MAY RESULT CAUSING PROPERTY DAMAGE, PERSONAL INJURY OR LOSS OF LIFE. INITIAL LIGHTING OF THE PILOT AND MAIN BURNERS MUST BE DONE WITH THE GLASS DOOR OFF. DO NOT CONNECT VALVE OR WALL SWITCH TO ELECTRICITY. SEE INSTALLATION INSTRUCTIONS.

**ATTENTION:** NE PAS ALLUMER SI DES ENFANTS OU D'AUTRES INDIVIDUS À RISQUE SONT À PROXIMITÉ DU FOYER. QUICQUOIE NE RESPECTE PAS À LA LETTRE LES INSTRUCTIONS DANS LA PRÉSENTE NOTICE, RISQUE DE DÉCLANCHER UN INCENDIE OU UN EXPLOSION ENTRAÎNANT DES DOMMAGES, DES BLESSURES OU LA MORT. L'ALLUMAGE INITIAL DE LA VELLEUSE ET DU BRÛLEUR PRINCIPAL DOIT SE FAIRE AVEC LA PORTE VITRÉE ENLEVÉE. NE RACCORDEZ PAS LA SOUPEPE OU L'INTERRUPTEUR MURAL À L'ÉLECTRICITÉ. CONSULTEZ LES INSTRUCTIONS D'INSTALLATION.

**A. THIS APPLIANCE IS EQUIPPED WITH AN IGNITION DEVICE WHICH AUTOMATICALLY LIGHTS THE PILOT. DO NOT TRY TO LIGHT BY HAND.**  
**B. BEFORE OPERATING, SMELL ALL AROUND THE APPLIANCE AREA FOR GAS AND NEXT TO THE FLOOR BECAUSE SOME GAS IS HEAVIER THAN AIR AND WILL SETTLE ON THE FLOOR.**

**WHAT TO DO IF YOU SMELL GAS:**  
• OPEN WINDOWS  
• DO NOT TRY TO LIGHT ANY APPLIANCE  
• DO NOT TOUCH ANY ELECTRICAL SWITCH. DO NOT USE ANY PHONE IN YOUR BUILDING.  
• IMMEDIATELY CALL YOUR GAS SUPPLIER FROM A NEIGHBOUR'S PHONE. FOLLOW THE GAS SUPPLIER'S INSTRUCTIONS.  
• IF YOU CANNOT REACH YOUR GAS SUPPLIER, CALL THE FIRE DEPARTMENT.  
• DO NOT TRY TO REPAIR ANY PART OF THIS ASSEMBLY. CALL A QUALIFIED SERVICE TECHNICIAN. FORCE OR ATTEMPTED REPAIR MAY RESULT IN A FIRE OR EXPLOSION.  
• DO NOT USE THE APPLIANCE IF ANY PART HAS BEEN UNDER WATER. IMMEDIATELY CALL A QUALIFIED SERVICE TECHNICIAN TO INSPECT THE APPLIANCE AND REPLACE ANY PART OF THE CONTROL SYSTEM AND ANY GAS CONTROL WHICH HAS BEEN UNDER WATER.

**A. CET APPAREIL EST MUNI D'UN DISPOSITIF D'ALLUMAGE QUI ALLUME AUTOMATIQUÉMENT LA VELLEUSE. NE TENTEZ PAS D'ALLUMER LA VELLEUSE MANUELLEMENT.**  
**B. AVANT DE FAIRE FONCTIONNER, RENEFLEZ TOUT AUTOUR DE L'APPAREIL, POUR DÉCÉLER UN ODEUR DE GAZ. RENEFLEZ PRÈS DU PLANCHER, CAR CERTAINS GAZ SONT PLUS LOURDS QUE L'AIR ET PEUVENT S'ACCUMULER AU NIVEAU DU SOL.**

**QUE FAIRE SI VOUS DÉTECTEZ UNE ODEUR DE GAZ:**  
• OUVREZ LES FENÊTRES.  
• NE PAS TENTER D'ALLUMER L'APPAREIL.  
• NE TOUCHEZ PAS À AUCUN INTERRUPTEUR. NE PAS VOUS SERVIR DES TÉLÉPHONES SE TROUVANT DANS LE BÂTIMENT.  
• APPELEZ IMMÉDIATEMENT VOTRE FOURNISSEUR DE GAZ DEPUIS UN VOISIN. SUIVEZ LES INSTRUCTIONS DU FOURNISSEUR.  
• SI VOUS NE POUVEZ REJOINDRE LE FOURNISSEUR, APPELEZ LE SERVICE DES INCENDIES.  
• N'ESSEYÉZ PAS DE RÉPARER AUCUNE PIÈCE DE CET ASSEMBLAGE. APPELEZ UN TECHNICIEN QUALIFIÉ. FORCER OU TENTER DE RÉPARER L'ASSEMBLAGE POURRAIT CAUSER UN FEU OU UNE EXPLOSION.  
• N'UTILISEZ PAS CET APPAREIL S'IL A ÉTÉ PLONGÉ DANS L'EAU. MÊME PARTIELLEMENT. FAITES INSPECTER L'APPAREIL PAR UN TECHNICIEN QUALIFIÉ ET REMPLACEZ TOUTE PARTIE DU SYSTÈME DE CONTRÔLE ET TOUTE COMMANDE QUI ONT ÉTÉ PLONGÉES DANS L'EAU.

W385-0462 / E

**LIGHTING INSTRUCTIONS / INSTRUCTIONS D'ALLUMAGE**

- STOP! READ ALL INFORMATION OF OPERATING AND LIGHTING INSTRUCTIONS BEFORE PROCEEDING.
- TURN OFF ELECTRICAL POWER TO THE APPLIANCE.
- THIS APPLIANCE IS EQUIPPED WITH AN IGNITION DEVICE WHICH AUTOMATICALLY LIGHTS THE PILOT. DO NOT TRY TO LIGHT THE PILOT BY HAND.
- OPEN THE GLASS DOOR.
- TURN MANUAL SHUTOFF VALVE COUNTERCLOCKWISE TO OFF.
- WAIT FIVE (5) MINUTES TO CLEAR OUT ANY GAS. IF YOU SMELL GAS, INCLUDING NEAR THE FLOOR, STOP! FOLLOW "B" OF THE OPERATING INSTRUCTIONS. IF YOU DON'T SMELL GAS, GO TO THE NEXT STEP.
- TURN MANUAL SHUTOFF VALVE COUNTERCLOCKWISE TO ON.
- CLOSE THE GLASS DOOR.
- TURN ON ALL ELECTRICAL POWER TO THE APPLIANCE.
- TURN ON MAIN BURNER.

- ARRÊTEZ! LISEZ TOUTES LES INSTRUCTIONS DE FONCTIONNEMENT ET D'ALLUMAGE AVANT DE CONTINUER.
- COUPEZ L'ALIMENTATION ÉLECTRIQUE À L'APPAREIL.
- CET APPAREIL EST MUNI D'UN DISPOSITIF D'ALLUMAGE QUI ALLUME LA VELLEUSE AUTOMATIQUÉMENT. N'ESSEYÉZ PAS D'ALLUMER LA VELLEUSE MANUELLEMENT.
- TOURNEZ LA SOUPEPE DE SECTIONNEMENT MANUELLE VERS LA DROITE.
- ATTENDEZ CINQ (5) MINUTES POUR QUE LE GAZ PUISSE S'ÉCHAPPER. SI VOUS DÉTECTEZ UNE ODEUR DE GAZ, ARRÊTEZ-VOUS. S'IL N'Y A PAS D'ODEUR DE GAZ, PASSES À L'ÉTAPE SUIVANTE.
- TOURNEZ LA SOUPEPE DE SECTIONNEMENT MANUELLE VERS LA GAUCHE.
- FERMEZ LA PORTE VITRÉE.
- RETABLISSEZ L'ALIMENTATION ÉLECTRIQUE AU FOYER.
- ALLUMEZ LE BRÛLEUR PRINCIPAL.

**TO TURN OFF GAS / INSTRUCTIONS POUR COUPER LE GAZ**

- TURN OFF ALL ELECTRICAL POWER TO THE APPLIANCE IF SERVICE IS TO BE PERFORMED.
- TURN MANUAL SHUTOFF VALVE COUNTERCLOCKWISE TO OFF. DO NOT FORCE.

- COUPEZ L'ALIMENTATION ÉLECTRIQUE AU FOYER SI UN TRAVAIL D'ENTRETIEN DOIT SE FAIRE.
- TOURNEZ LA SOUPEPE D'ARRÊT MANUELLE VERS LA DROITE. N'ESSEYÉZ PAS DE FORCER PAS.

W385-0462 / E

### TDI3-1 / TDIG3-1 / TDIX3-1

**OPERATING INSTRUCTIONS / INSTRUCTIONS D'OPÉRATION**  
**FOR YOUR SAFETY READ BEFORE OPERATING / POUR VOTRE SÉCURITÉ LIRE AVANT DE FAIRE FONCTIONNER**

**WARNING:** DO NOT TURN ON IF CHILDREN OR OTHER AT RISK INDIVIDUALS ARE NEAR THE APPLIANCE. IF YOU DO NOT FOLLOW THESE INSTRUCTIONS EXACTLY, A FIRE OR EXPLOSION MAY RESULT CAUSING PROPERTY DAMAGE, PERSONAL INJURY OR LOSS OF LIFE. INITIAL LIGHTING OF THE PILOT AND MAIN BURNERS MUST BE DONE WITH THE GLASS DOOR OFF. DO NOT CONNECT VALVE OR WALL SWITCH TO ELECTRICITY. SEE INSTALLATION INSTRUCTIONS.

**ATTENTION:** NE PAS ALLUMER SI DES ENFANTS OU D'AUTRES INDIVIDUS À RISQUE SONT À PROXIMITÉ DU FOYER. QUICQUOIE NE RESPECTE PAS À LA LETTRE LES INSTRUCTIONS DANS LA PRÉSENTE NOTICE, RISQUE DE DÉCLANCHER UN INCENDIE OU UN EXPLOSION ENTRAÎNANT DES DOMMAGES, DES BLESSURES OU LA MORT. L'ALLUMAGE INITIAL DE LA VELLEUSE ET DU BRÛLEUR PRINCIPAL DOIT SE FAIRE AVEC LA PORTE VITRÉE ENLEVÉE. NE RACCORDEZ PAS LA SOUPEPE OU L'INTERRUPTEUR MURAL À L'ÉLECTRICITÉ. CONSULTEZ LES INSTRUCTIONS D'INSTALLATION.

**A. THIS APPLIANCE IS EQUIPPED WITH AN IGNITION DEVICE WHICH AUTOMATICALLY LIGHTS THE PILOT. DO NOT TRY TO LIGHT BY HAND.**  
**B. BEFORE OPERATING, SMELL ALL AROUND THE APPLIANCE AREA FOR GAS AND NEXT TO THE FLOOR BECAUSE SOME GAS IS HEAVIER THAN AIR AND WILL SETTLE ON THE FLOOR.**

**WHAT TO DO IF YOU SMELL GAS:**  
• TURN OFF ALL GAS TO THE APPLIANCE  
• OPEN WINDOWS  
• DO NOT TRY TO LIGHT ANY APPLIANCE  
• DO NOT TOUCH ANY ELECTRICAL SWITCH. DO NOT USE ANY PHONE IN YOUR BUILDING.  
• IMMEDIATELY CALL YOUR GAS SUPPLIER FROM A NEIGHBOUR'S PHONE. FOLLOW THE GAS SUPPLIER'S INSTRUCTIONS.  
• IF YOU CANNOT REACH YOUR GAS SUPPLIER, CALL THE FIRE DEPARTMENT.  
• DO NOT TRY TO REPAIR ANY PART OF THIS ASSEMBLY. CALL A QUALIFIED SERVICE TECHNICIAN. FORCE OR ATTEMPTED REPAIR MAY RESULT IN A FIRE OR EXPLOSION.  
• DO NOT USE THE APPLIANCE IF ANY PART OF IT HAS BEEN UNDER WATER. IMMEDIATELY CALL A QUALIFIED SERVICE TECHNICIAN TO INSPECT THE APPLIANCE AND REPLACE ANY PART OF THE CONTROL SYSTEM AND ANY GAS CONTROL WHICH HAS BEEN UNDER WATER.

**A. CET APPAREIL EST MUNI D'UN DISPOSITIF D'ALLUMAGE QUI ALLUME AUTOMATIQUÉMENT LA VELLEUSE. NE TENTEZ PAS D'ALLUMER LA VELLEUSE MANUELLEMENT.**  
**B. AVANT DE FAIRE FONCTIONNER, RENEFLEZ TOUT AUTOUR DE L'APPAREIL, POUR DÉCÉLER UN ODEUR DE GAZ. RENEFLEZ PRÈS DU PLANCHER, CAR CERTAINS GAZ SONT PLUS LOURDS QUE L'AIR ET PEUVENT S'ACCUMULER AU NIVEAU DU SOL.**

**QUE FAIRE SI VOUS DÉTECTEZ UNE ODEUR DE GAZ:**  
• COUPEZ ENTièrement L'ALIMENTATION DE GAZ PRINCIPALE.  
• OUVREZ LES FENÊTRES.  
• NE PAS TENTER D'ALLUMER L'APPAREIL.  
• NE TOUCHEZ PAS À AUCUN INTERRUPTEUR. NE PAS VOUS SERVIR DES TÉLÉPHONES SE TROUVANT DANS LE BÂTIMENT.  
• APPELEZ IMMÉDIATEMENT VOTRE FOURNISSEUR DE GAZ DEPUIS UN VOISIN. SUIVEZ LES INSTRUCTIONS DU FOURNISSEUR.  
• SI VOUS NE POUVEZ REJOINDRE LE FOURNISSEUR, APPELEZ LE SERVICE DES INCENDIES.  
• N'ESSEYÉZ PAS DE RÉPARER AUCUNE PIÈCE DE CET ASSEMBLAGE. APPELEZ UN TECHNICIEN QUALIFIÉ. FORCER OU TENTER DE RÉPARER L'ASSEMBLAGE POURRAIT CAUSER UN FEU OU UNE EXPLOSION.  
• N'UTILISEZ PAS CET APPAREIL S'IL A ÉTÉ PLONGÉ DANS L'EAU. MÊME PARTIELLEMENT. FAITES INSPECTER L'APPAREIL PAR UN TECHNICIEN QUALIFIÉ ET REMPLACEZ TOUTE PARTIE DU SYSTÈME DE CONTRÔLE ET TOUTE COMMANDE QUI ONT ÉTÉ PLONGÉES DANS L'EAU.

W385-0462 / C

**LIGHTING INSTRUCTIONS / INSTRUCTIONS D'ALLUMAGE**

- STOP! READ THE ABOVE SAFETY INFORMATION ON THIS LABEL.
- REMOVE THE BATTERIES FROM THE TRANSMITTER.
- TURN OFF ELECTRICAL POWER TO THE APPLIANCE.
- THIS APPLIANCE IS EQUIPPED WITH AN IGNITION DEVICE WHICH AUTOMATICALLY LIGHTS THE PILOT. DO NOT TRY TO LIGHT THE PILOT BY HAND.
- OPEN THE GLASS DOOR.
- TURN MANUAL SHUTOFF VALVE COUNTERCLOCKWISE TO OFF. LOCATED BEHIND THE ACCESS PANEL.
- WAIT FIVE (5) MINUTES TO CLEAR OUT ANY GAS. IF YOU SMELL GAS INCLUDING NEAR THE FLOOR, STOP! FOLLOW "B" OF THE ABOVE SAFETY INFORMATION ON THIS LABEL. IF YOU DON'T SMELL GAS, GO TO THE NEXT STEP.
- TURN MANUAL SHUTOFF VALVE COUNTERCLOCKWISE TO ON.
- CLOSE THE GLASS DOOR.
- TURN ON ALL ELECTRICAL POWER TO THE APPLIANCE AND REINSTALL BATTERIES INTO THE TRANSMITTER.
- PUSH THE "ON" BUTTON ON THE TRANSMITTER. YOU SHOULD HEAR AN AUDIBLE BEEP FROM THE RECEIVER WHICH INDICATES COMBUSTION. REFER TO APPLIANCE OPERATIONS FOR REMOTE ACTIVATION.

- ARRÊTEZ! LISEZ LES RECOMMANDATIONS DE SÉCURITÉ DE CETTE ÉTIQUETTE.
- RETIÈREZ LES PILES DE LA TÉLÉCOMMANDE.
- COUPEZ L'ALIMENTATION ÉLECTRIQUE À L'APPAREIL.
- CET APPAREIL EST MUNI D'UN DISPOSITIF D'ALLUMAGE QUI ALLUME LA VELLEUSE AUTOMATIQUÉMENT. N'ESSEYÉZ PAS D'ALLUMER LA VELLEUSE MANUELLEMENT.
- OUVREZ LA SOUPEPE DE SECTIONNEMENT MANUELLE VERS LA DROITE.
- ATTENDEZ CINQ (5) MINUTES POUR QUE LE GAZ PUISSE S'ÉCHAPPER. SI VOUS DÉTECTEZ UNE ODEUR DE GAZ, ARRÊTEZ-VOUS. S'IL N'Y A PAS D'ODEUR DE GAZ, PASSES À L'ÉTAPE SUIVANTE.
- TOURNEZ LA SOUPEPE DE SECTIONNEMENT MANUELLE VERS LA GAUCHE.
- FERMEZ LA PORTE VITRÉE.
- TOURNEZ L'INTERRUPTEUR DE L'APPAREIL ET L'INTERRUPTEUR À DISTANCE MURAL À "ON".
- PUSSEZ SUR LE BOUTON "ON" DE LA TÉLÉCOMMANDE. VOUS DEVREZ ENTENDRE UN "BIP" AUDIBLE DANS LE RÉCEPTEUR QUI INDIQUE QUE LA COMBUSTION EST BONNE. POURSUIVEZ LES INSTRUCTIONS D'OPÉRATION DE LA SECTION FONCTIONNEMENT DU FOYER.

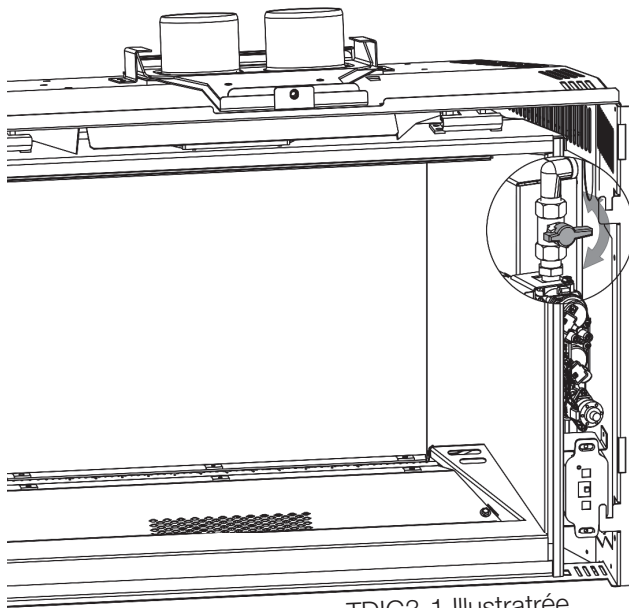
**TO TURN OFF GAS / INSTRUCTIONS POUR COUPER LE GAZ**

- TURN OFF ALL ELECTRICAL POWER TO THE APPLIANCE IF SERVICE IS TO BE PERFORMED.
- TURN MANUAL SHUTOFF VALVE COUNTERCLOCKWISE TO OFF. DO NOT FORCE.

- COUPEZ L'ALIMENTATION ÉLECTRIQUE AU FOYER SI UN TRAVAIL D'ENTRETIEN DOIT SE FAIRE.
- TOURNEZ LA SOUPEPE D'ARRÊT MANUELLE VERS LA DROITE. N'ESSEYÉZ PAS DE FORCER PAS.

W385-0462 / D

## 1.4 soupape de fermeture



La soupape de fermeture est dans la position OFF lorsque la poignée est horizontale (voir l'illustration).

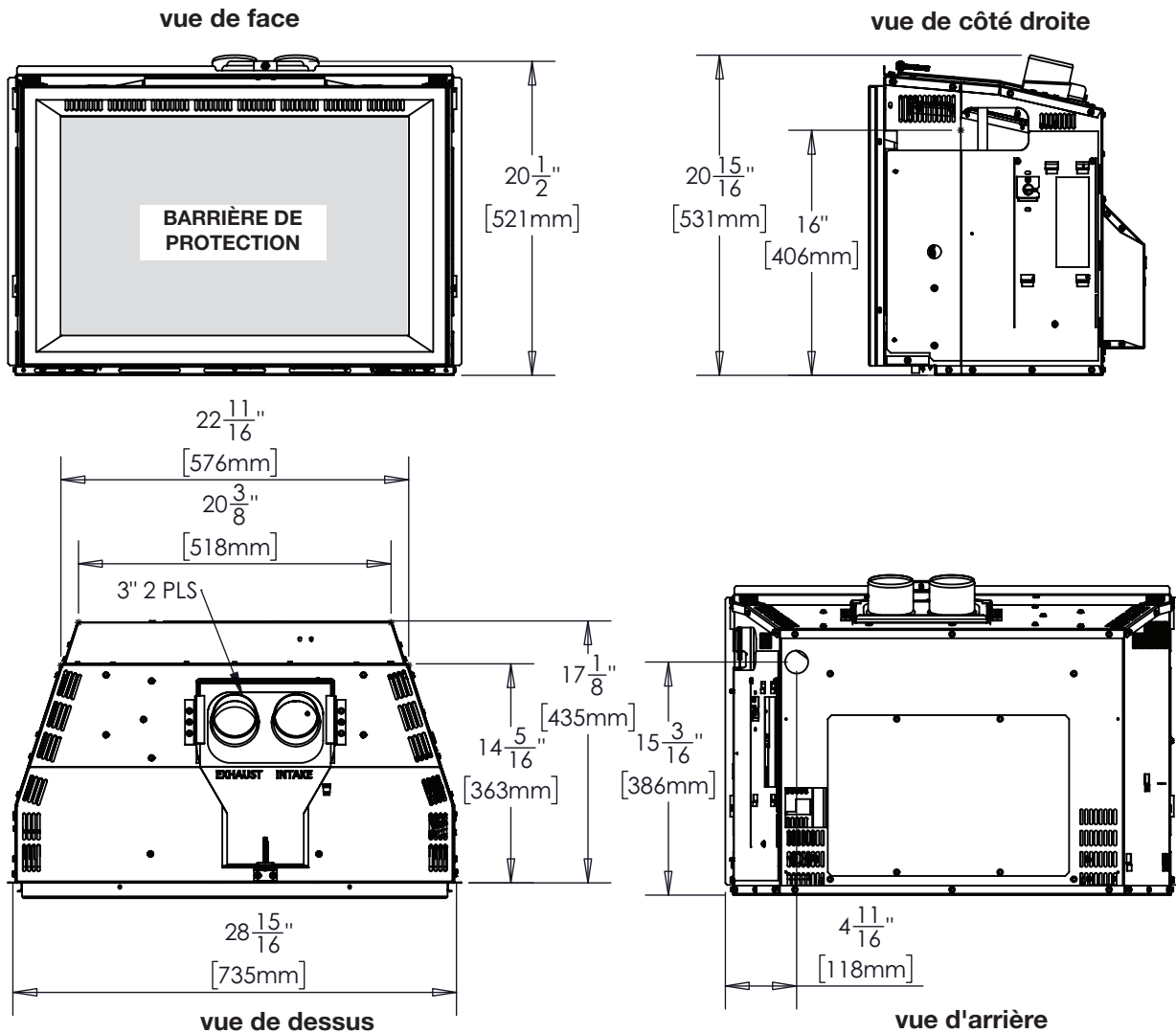
La soupape de fermeture est dans la position ON lorsque la poignée est verticale.

**note:**

Un outil été fourni pour couper le gaz.

# information générales

## FR 1.5 dimensions



## 1.6 dégagements minimaux aux matériaux combustibles

Cet appareil ne doit être encastré que dans un foyer à bois ventilé incombustible (préfabriqué ou en maçonnerie). L'appareil dans lequel l'encastrement est installé doit avoir les dimensions minimales suivantes:

	TDI3-1	TDI3E-1	TDIG3-1	TDIX3-1
<b>Hauteur</b>		21" (53.3cm)		
<b>Largeur</b>		29" (73.7cm)		
<b>Profondeur</b>	14 3/8" (36.6cm) + 2 3/4" (7cm) pour soufflerie optionnel		17 1/8" (43.5cm)	

**Le diamètre minimal du conduit de la cheminée doit être de 6" (152mm) ron.** La distance minimale entre le dessous d'une tablette décorative combustible qui ressort un maximum de 3" (76mm) et le haut de l'ouverture des persiennes est de 12" (30,4cm) (voir la section « dégagements minimaux de la tablette »).

### note:

Un foyer incombustible doit dépasser un minimum de 12" (30,5cm) de l'appareil.

Un foyer combustible peut être utilisé si l'appareil est élevé 4" (102mm) au-dessus du foyer ou si une boîte d'élévation de Wolf Steel est installée.



### **AVERTISSEMENT**

- Risque d'incendie! Conservez les dégagements nécessaires au conduit d'évent et à l'appareil.

Retirez les cendres de l'appareil de chauffage au bois. Assurez-vous que la cheminée et l'appareil de chauffage au bois sont propres et en bon état et qu'ils sont construits avec des matériaux incombustibles. Si nécessaire, faites faire les travaux de réparation par une personne qualifiée avant d'installer l'encastré. Enlevez le registre de l'appareil de chauffage au bois ou fixez-le en position ouverte.

À l'aide de vis, fixez l'étiquette d'avertissement à l'intérieur de la chambre de combustion de l'appareil existant, dans lequel l'encastré sera installé.

Les composants en tôle de l'appareil existant, dans lequel l'encastré sera installé, ne doivent pas être sectionnés.

Si l'appareil de chauffage au bois ne possède pas de trou d'accès pour le raccordement au gaz, un trou d'accès de 1 1/2" (38,1mm) ou moins peut être pratiqué selon les règles du métier à travers les côtés inférieurs ou le plancher de l'appareil. Ce trou d'accès doit être bouché d'isolant incombustible une fois que le tuyau d'alimentation en gaz a été installé.

Assurez-vous que la porte de la trappe de ramonage existante soit bien fermée.

Les briques réfractaires, la porte vitrée, la glissière, le rideau pare-étincelles et les supports à bûches peuvent être retirés de l'appareil existant avant d'installer l'encastré.

Les tablettes de fumée, l'écrans et les déflecteurs peut être retirés s'ils sont fixés avec des attaches mécaniques.

L'ouvertures de ventilation de l'appareil peut être obstrué par les plaques de fond, les moulures en aluminium, etc., mais ces composants ne doit pas être installés de façon à sceller hermétiquement les ouvertures.

**WARNING:** THIS FIREPLACE HAS BEEN CONVERTED FOR USE WITH A GAS FIREPLACE INSERT ONLY AND CANNOT BE USED FOR BURNING WOOD OR SOLID FUELS UNLESS ALL ORIGINAL PARTS HAVE BEEN REPLACED AND THE FIREPLACE IS RE-APPROVED BY THE AUTHORITY HAVING JURISDICTION.

**ATTENTION:** CE FOYER A ETE CONVERTI AFIN D'ETRE UTILISE SEULEMENT COMME FOYER ENCASTRE AU GAZ ET NE PEUT ETRE UTILISE POUR BRULER DU BOIS OU TOUT AUTRE COMBUSTIBLE SOLIDE, SANS QUE TOUTES LES PIECES ORIGINALES AIENT ETE REMPLACEES ET QUE LE FOYER SOIT APPROUVE DE NOUVEAU PAR LES AUTORITES AYANT JURIDICTION.

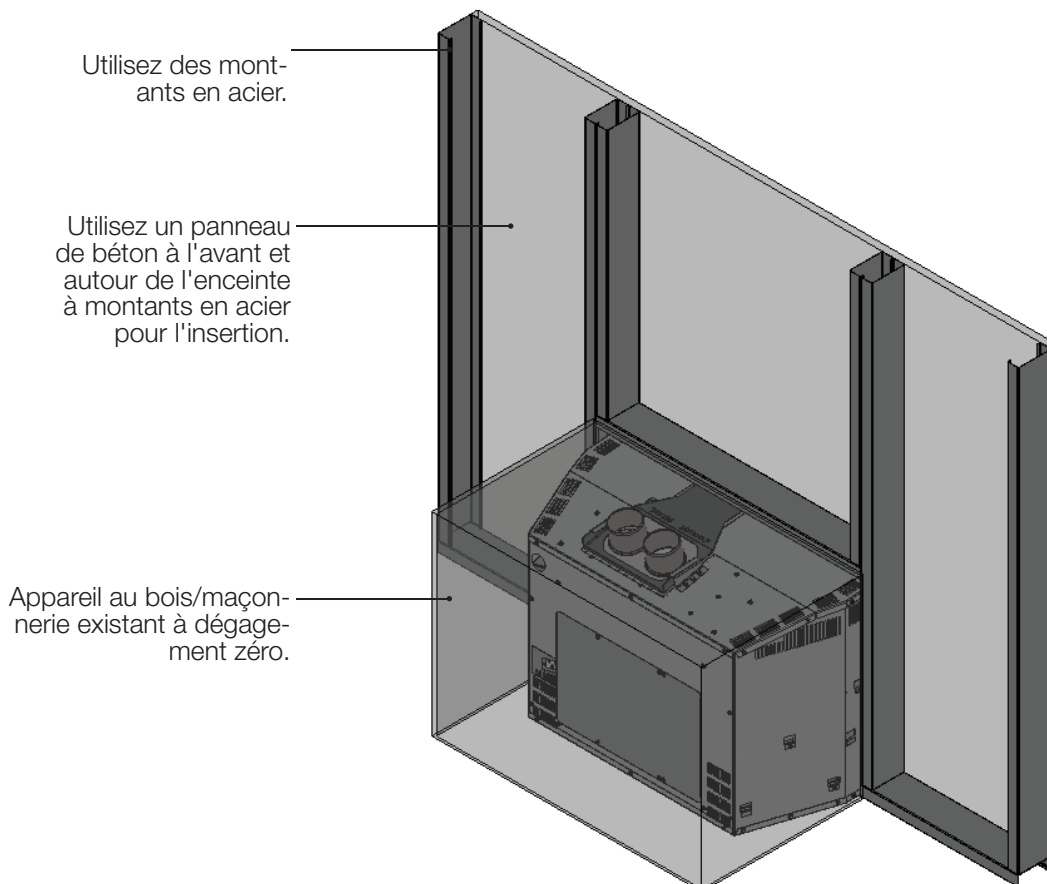
**ADVERTENCIA:** ESTA CHIMENEA SE REMODELO PARA USARSE SOLO CON UNA INSERCIÓN DE CHIMENEA A GAS Y NO PUEDE USARSE PARA QUEMAR MADERA NI COMBUSTIBLES SÓLIDOS, A MENOS QUE SE HAYAN REEMPLAZADO TODAS LAS PIEZAS ORIGINALES, Y LA AUTORIDAD JURISDICCIONAL LA HAYA VUELTO A APROBAR.

W385-0199\_B

### 2.1 mise à niveau l'appareil

Le revêtement en brique peut être retiré et remplacé par des matériaux non combustibles tels que des poteaux en acier et des panneaux de béton. L'ouverture entre la chambre de combustion et les matériaux non combustibles doit être scellée afin que la chaleur ne puisse pas circuler entre la face de l'appareil au bois et les matériaux de revêtement.

L'insert doit être retiré de façon à ce que l'appareil affleure les matériaux de finition et que la barrière de protection soit fière de l'enceinte incombustible finie (appareil au bois).



# planification de l'installation

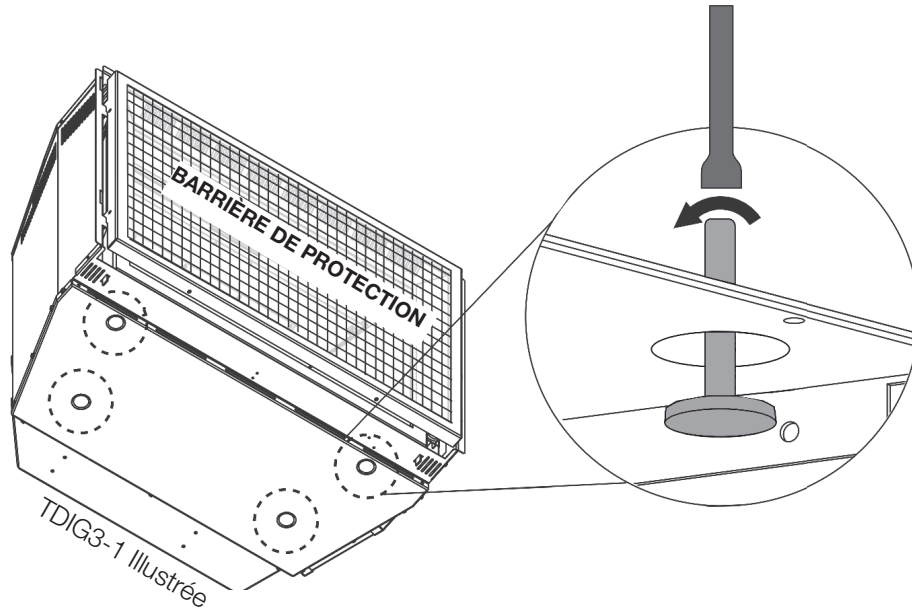
FR

## 2.2 mise à niveau l'appareil

Faites installer votre appareil par un détaillant autorisé. Si vous l'installez vous-même, faites vérifier vos plans d'installation et/ou l'installation par votre détaillant. Élaborez un plan détaillé de l'installation en y incluant les dimensions puis vérifiez les dimensions avec les exigences énoncées dans ce manuel.

Vous devrez possiblement ajuster la position de l'appareil afin que l'évent ne passe pas au même niveau qu'une pièce de charpente. L'appareil doit être positionné de façon à ce qu'aucun article combustible soit placé, ou puisse pivoter (p. ex. rideaux, portes) à moins de 48" (121,9cm) de la face vitrée de l'appareil.

**Poêles seulement:** Cet appareil est muni avec 4 jambes pour niveler. Mettez à niveau, en vous servant des vis de réglage, afin d'éliminer les balancements et le bruit excessif lorsque la soufflerie est en marche. Une fois que l'appareil est à niveau, ne le mettez que partiellement en place afin d'effectuer tous les raccordements. Il est difficile de mettre à niveau l'encastré une fois qu'il est installé. Déterminez la profondeur requise avant d'installer l'appareil, puis ajustez les vis de réglage en conséquence.



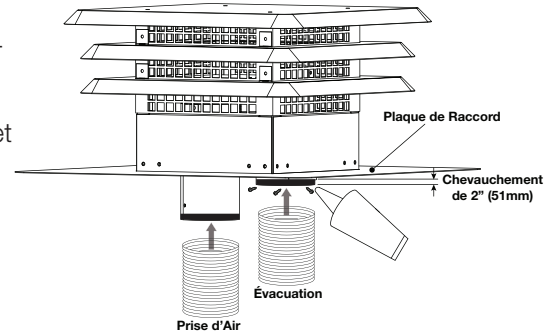
## 2.3 installation de la cheminée

L'installation de la cheminée doit être conforme aux normes des codes nationaux et locaux. La cheminée doit être munie d'un conduit de 2" (51mm) ou 3" (76mm) de diamètre pour la prise d'air et d'un conduit de 3" (76mm) de diamètre pour l'évacuation. Les longueurs minimales et maximales des gaines sont respectivement de 10' (3m) et 45' (14m). Les ensembles d'événements Napoléon recommandés sont offerts en quatre longueurs :

### 2 GAINES DE 3" (76mm) EN ALUMINIUM À DOUBLE PARI - PRISE D'AIR ET ÉVACUATION:

GDI-320KT	ENSEMBLE D'ÉVÉNENTS 20 PI (6M)
GDI-325KT	ENSEMBLE D'ÉVÉNENTS 25 PI (7M)
GDI-335KT	ENSEMBLE D'ÉVÉNENTS 35 PI (11M)
GDI-345KT	ENSEMBLE D'ÉVÉNENTS 45 PI (14M)

Bien que les gaines doivent être continues de l'appareil au chapeau de la cheminée, elles peuvent être raccordées pour obtenir la longueur désirée en utilisant une bague d'accouplement approuvée. Nous recommandons que la gaine d'évacuation qui traverse une zone non chauffée telle que des cheminées extérieures de grande taille soit enveloppée dans un manchon isolant, ceci afin d'éviter la condensation et les effets de refoulement. Pour plus de détails, consultez la section « guide de dépannage ». Cet appareil est approuvé pour installation avec une gaine de 3"(76mm) de diamètre pour la prise d'air et pour l'évacuation.

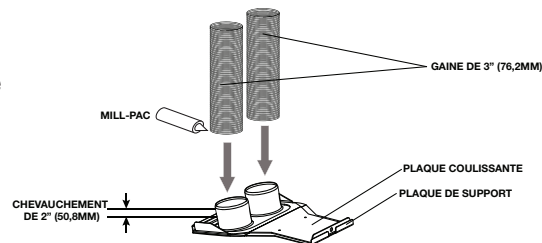


- A. À L'EXTÉRIEUR :** Faites glisser l'extrémité d'une gaine un minimum de 2"(51mm) par-dessus le manchon de la terminaison. Fixez à l'aide de 3 vis. Puis sceller les joint et vis avec scellant à haute température. Répéter avec l'autre gaine.

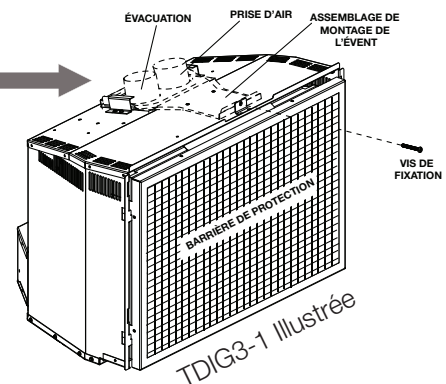
#### note:

Nous recommandons que l'autre extrémité de la gaine d'évacuation soit identifiée pour éviter qu'elle ne soit raccordée au collet de prise d'air de l'appareil.

- B.** Étirez doucement les gaines jusqu'aux longueurs désirées et insérez-les dans la cheminée. Découpez et placez la plaque de raccord afin qu'elle s'adapte au chapeau de la cheminée. Placez la terminaison par-dessus la cheminée. Rendez-la étanche en la scellant avec du calfeutrage (non fourni). Fixez à la cheminée avec des vis et des chevilles (non fournies).



- C. À L'INTÉRIEUR :** Retirez la vis de fixation du devant de la plaque de support des événements. Engagez seulement la plaque de support des événements dans la glissière et tirez-la jusqu'au support de fixation à l'avant. Installez la plaque coulissante de la même façon. Réinstallez la vis de fixation. Vous pouvez à présent installer l'encasté dans son emplacement définitif à l'intérieur de l'appareil de chauffage au bois, avec la vis de fixation bien serrée de façon à ce que la plaque coulissante soit solidement fixée au support de fixation.



- D.** Faites passer les gaines flexibles à travers la plaque coulissante. Fixez les gaines à la plaque de support des événements en suivant la même procédure qu'auparavant, en vous assurant que la gaine d'évacuation identifiée soit fixée au collet d'évacuation.

# planification de l'installation

FR

## note:

Avant de fixer l'appareil en place, isolation à haute température devrait être emballé autour du linéaire dans la zone du registre pour empêcher le flux d'air d'entrer dans la cheminée de la maison. Ne pas le faire aura un impact négatif sur l'efficacité de l'appareil.

Nous recommandons la méthode suivante pour sceller la section du registre autour de la gaine:

Mesurez la gorge de l'appareil et dessinez sa forme sur un morceau de tôle de calibre 24 qui servira de plaque d'isolement; découpez une ouverture de 6 3/4" (171mm) de diamètre alignée directement avec l'ouverture du conduit d'évacuation de l'appareil. Conservez deux pounces de métal pour former un rebord de chaque côté et coupez à ces dimensions. Pliez les rebords. Si vous n'avez jamais fait ceci auparavant, nous vous conseillons de découper d'abord un modèle en carton que vous mettrez à l'essai. Posez la plaque d'isolement en position, aussi haut que possible, à l'aide de deux vis à maçonnerie fixées à l'appareil de chaque côté de la plaque, à travers le rebord.

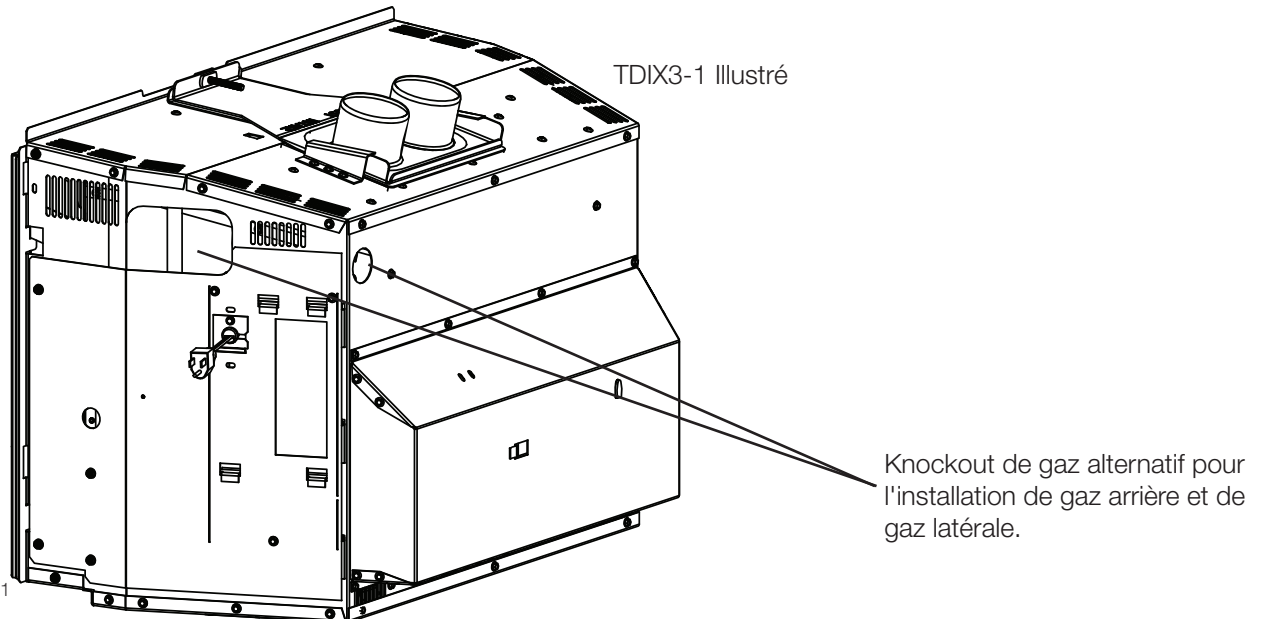
## 2.4 branchement du gaz

### ! AVERTISSEMENT

- Risque d'incendie, d'explosion, ou d'asphyxie. Assurez-vous qu'il n'y ait aucune source d'allumage comme des étincelles ou une flamme nue.
- Soutenez le contrôle du gaz lorsque vous attachez le tuyau pour éviter de plier la conduite de gaz.
- Allumez toujours la veilleuse, que ce soit pour la première fois ou lorsque l'approvisionnement en gaz est épuisé, avec la porte vitrée ouverte ou retirée. La purge doit être effectuée par un technicien qualifié. Assurez-vous que l'arrivée de gaz au brûleur est continue avant de fermer la porte. Assurez-vous d'une ventilation adéquate pour les emplacements de l'entrée du gaz et de l'entrée électrique, voir la section « dimensions ».
- Lorsque le branchement est terminé, tous les raccords de gaz doivent se trouver à l'intérieur de l'appareil (**foyer de gaz seulement**).
- Les pressions élevées endommageront la soupape. L'alimentation en gaz doit être débranchée pendant les essais de pression de ce système lorsque les pressions d'essai excèdent 1/2 LB/PO<sup>2</sup> (3,5 KPA).
- Les réglages de la soupape ont été faits en usine; ne les modifiez pas.

### L'installation et l'entretien doivent être effectuées par un installateur qualifié.

- Mettez l'appareil en place et fixez-le.
- L'appareil est conçu pour recevoir une conduite de gaz de 1/2" (13mm). L'appareil est aussi muni d'une soupape d'arrêt manuelle pour fermer l'alimentation en gaz.
- Branchez le gaz en conformité avec les codes locaux. En l'absence de codes locaux, l'installation doit être conforme au Code d'installation du gaz CAN/CSA-B149.1 dans sa version pour le Canada ou le National Fuel Gas Code, ANSI Z223.1 / NFPA 54 pour les États-Unis.
- Lorsque vous manipulez des conduites de gaz, soutenez la soupape de gaz pour éviter que les conduites ne se plient.
- Le raccord flexible de l'alimentation en gaz devrait être suffisamment mobile pour permettre de placer l'assemblage de brûleur sur le côté pour aider avec l'entretien des composants.
- Vérifiez pour des fuites de gaz en appliquant une solution d'eau savonneuse. **N'utilisez jamais une flamme nue.**



## ! AVERTISSEMENT

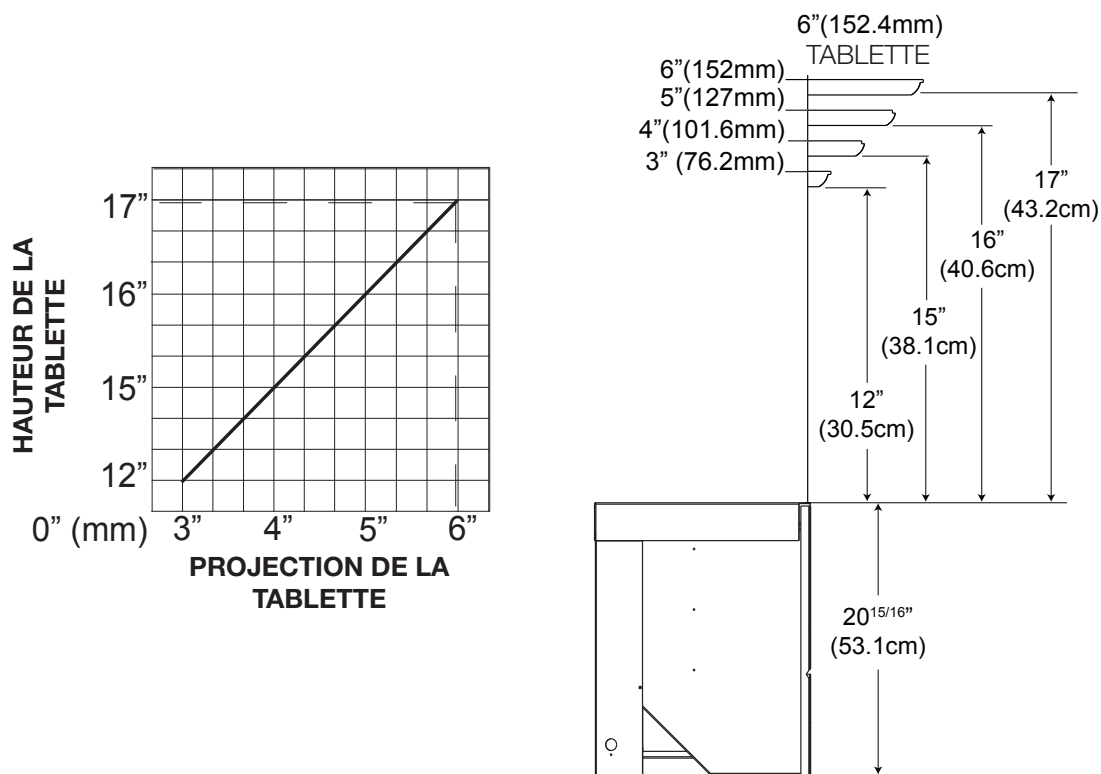
- Risque d'incendie!
- N'obstruez jamais l'ouverture sur le devant de l'appareil.
- La façade de l'appareil doit être faite de matériaux incombustibles comme de la brique, du marbre, du granite, etc., à condition que ces matériaux ne se trouvent pas en deçà de la dimension spécifiée tel qu'illustré. Comme alternative, vous pouvez utiliser le panneau de gypse comme finition pour votre appareil, voir les illustrations à suivre.
- Ne frappez pas, ne claquez pas et n'égratignez pas la porte vitrée. Ne faites pas fonctionner l'appareil lorsque la porte vitrée est enlevée, fissurée, brisée ou égratignée.
- Les matériaux de façade ou de finition ne doivent jamais empiéter sur l'ouverture de l'appareil.
- L'assemblage de la porte est conçu pour pivoter vers l'avant de l'évacuation d'un surplus de pression qui pourrait survenir. Les matériaux de finition ou tout autre matériau ne doivent pas empiéter sur l'ouverture entourant la porte puisqu'il nuiront au fonctionnement de la porte lors de l'évacuation d'un surplus de pression.
- Si applicable, la poussière de gypse pénétrera dans les roulements à billes de la soufflerie causant des dommages irréparables. Vous devez éviter que cette poussière n'entre en contact avec la soufflerie ou son compartiment. Tout dommage causé par ce problème ne sera pas couvert par la garantie.

### 3.1 dégagements minimaux de tablette

## ! AVERTISSEMENT

- Rique d'incendie. Conservez tous les dégagements aux matériaux combustibles spécifiés. Incapacité de se conformer à ces instructions peut causer un incendie ou une surchauffe. Assurez-vous que tous les dégagements (arrière, côtés, dessus, évents, tablette, façade, etc.) sont respectés à la lettre.
- Lorsque vous utilisez de la peinture ou du vernis comme finition pour votre tabelle assurez-vous qu'ils soient résistants à la chaleur afin de prévenir la décoloration.

Le dégagement d'une tablette combustible à l'appareil peut varier selon la profondeur de la tablette. Utilisez le graphique pour vous aider à déterminer le dégagement nécessaire. Les mêmes dégagements aux matériaux combustibles s'appliquent pour toutes les surfaces en projection sur les côtés de l'appareil.



### **! AVERTISSEMENT**

- La vitre peut être chaude. Ne touchez pas la vitre jusqu'à ce qu'elle ait refroidi.
- Si équipé avec les loquets de porte qui font partie d'un dispositif de sécurité, ils doivent être adéquatement verrouillés. Ne faites pas fonctionner l'appareil lorsque les loquets sont déverrouillés.
- Les matériaux de façade et de finition ne doivent pas nuire à la circulation de l'air dans les ouvertures d'air et les persiennes, ni au fonctionnement des persiennes ou des portes ni l'accès pour l'entretien. Respectez tous les dégagements aux matériaux combustibles
- Avant d'enlever la porte, éteignez l'appareil et attendez que ce dernier soit froid au toucher. Les portes sont lourdes et fragiles; manipulez avec soin.

**Une barrière conçue à réduire le risque de brûlures à partir de la chaude la vitre est à condition que avec l'appareil et sera être installés.**

1. Avant d'enlever la porte vitrée, la barrière de protection doit être enlever. Soulevez la barrière de protection hors des 4 goupilles et enlever de l'appareil, puis inclinez la partie haut du porte vitrée puis enlever de l'appareil (**Fig. 3-1**).

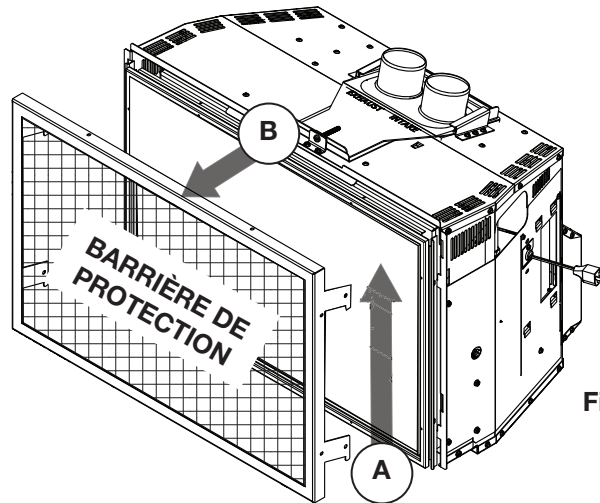


Fig. 3-1

**note:**

Le cas échéant, la façade optionnelle doit être retirée pour permettre la porte vitrée ouvrir ou fermer.

2. Déverrouillez les loquets supérieurs gauche et droit situés dans le haut de la porte (**Fig. 3-2**). Penchez légèrement vers l'avant puis soulevez hors des fentes.

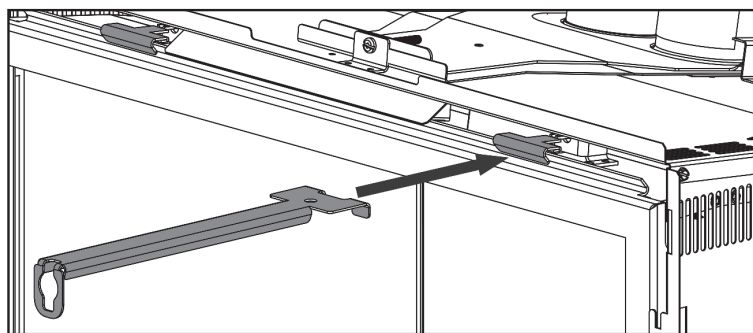


Fig. 3-2

3. Inversez ces étapes pour réinstaller la barrière de protection et la porte. Assurez-vous que la barrière de protection est correctement installée.

### 3.3 disposition des bûches

#### 3.3.1 disposition des bûches pour modèle TDI3-1 / TDI3E-1

## ! AVERTISSEMENT

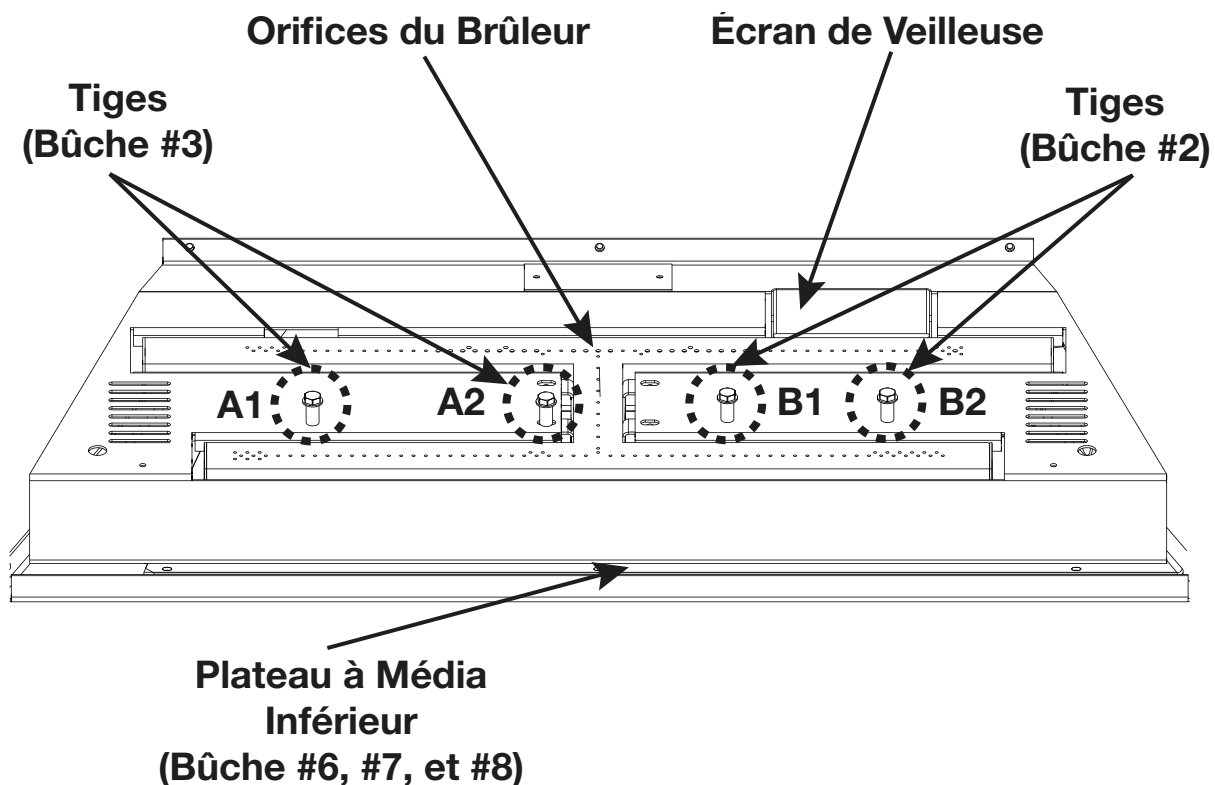
- Omettre de positionner les bûches conformément aux schémas ou omettre d'utiliser uniquement des bûches spécifiquement approuvées pour cet appareil peut causer des dommages matériels ou des blessures corporelles.
- Les bûches doivent être placées correctement à l'intérieur de l'appareil. Ne changez pas la position des bûches car l'appareil risque de ne pas fonctionner adéquatement et un retard d'allumage risque de se produire.
- Les bûches sont fragiles et devraient être manipulées avec soin.

Les bûches **PHAZER<sup>MD</sup>** et les braises incandescentes, exclusives aux appareils Wolf Steel Ltée., créent un effet réaliste et unique qui est différent dans chaque installation. Prenez le temps de bien installer les braises incandescentes pour obtenir le meilleur effet possible. Le couleur des bûches peut varier. Lors de la première utilisation de l'appareil, les couleurs deviendront plus uniformes à mesure que leurs pigments seront « absorbés » pendant le procédé de « cuisson ». Orifices de brûleurs bloqués peuvent provoquer une flamme irrégulière.

**note:**

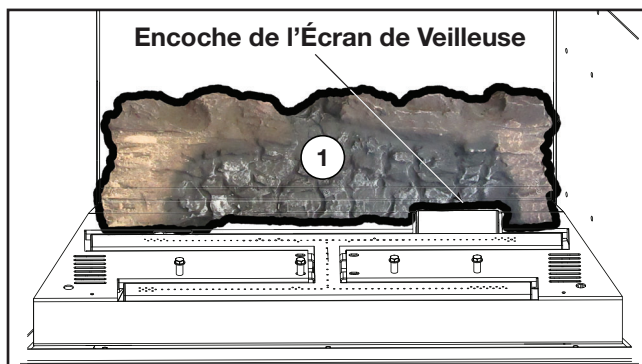
Les numéros de bûches sont situées sur le fond ou à l'arrière des bûches.

No. de bûche	No. de pièce	Description
1	W135-0778	Bûche arrière
2	W135-0779	Bûche droite
3	W135-0780	Bûche gauche
4	W135-0782	Bûche croisé gauche
5	W135-0781	Bûche croisé droite
6	W135-0783	Bûche, charbon de bois gauche
7	W135-0784	Bûche, charbon de bois centre
8	W135-0785	Bûche, charbon de bois droite

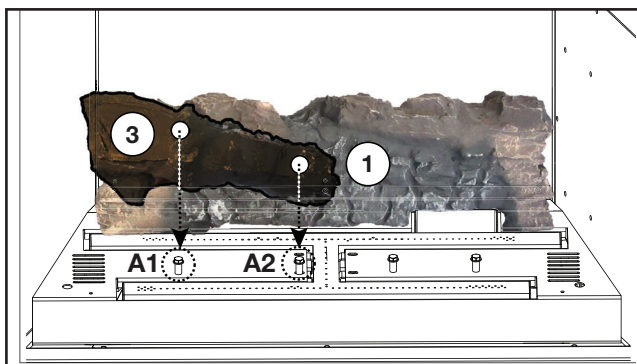


# finitions

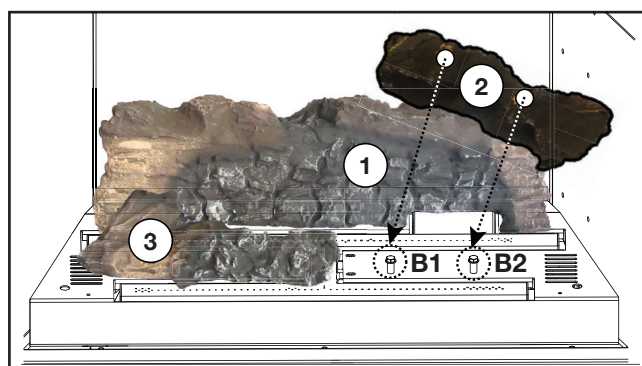
FR



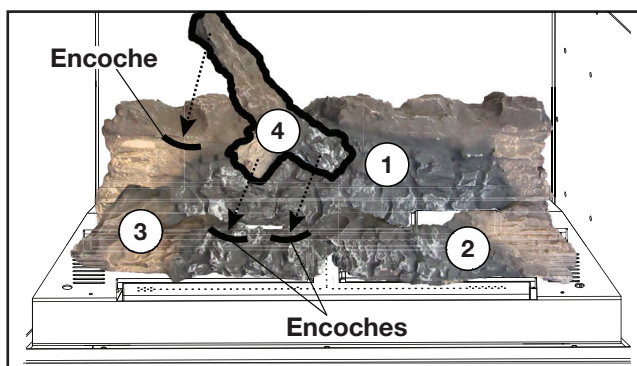
1. Placez la bûche #1 contre le mur arrière. Assurez-vous que l'encoche soit ajustée autour de l'écran de la veilleuse.



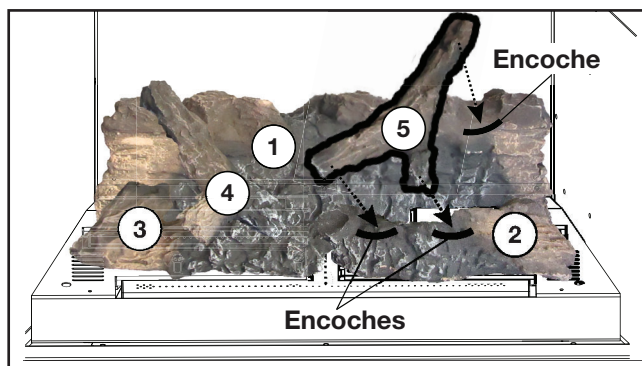
2. Placez les deux trous de la bûche #3 sur A1 et A2. Ne couvrez pas les orifices du brûleur.



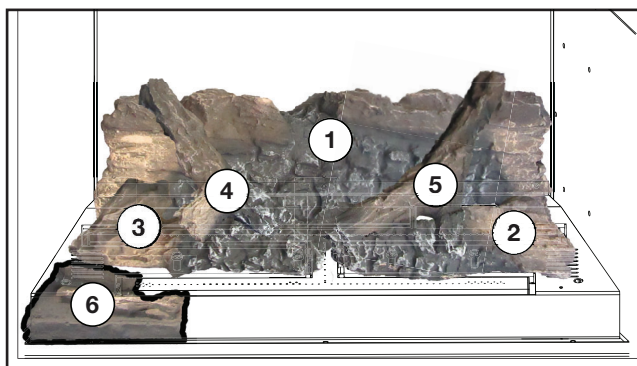
3. Placez les deux trous de la bûche #2 sur B1 et B2. Ne couvrez pas les orifices du brûleur.



4. Placez la bûche #4 sur l'encoche gauche de la bûche #1 et les deux encoches de la bûche #3.

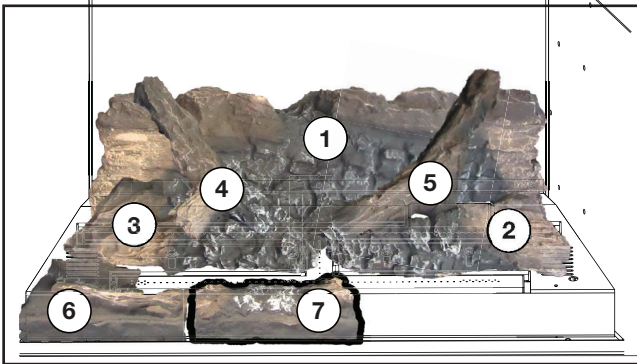


5. Placez la bûche #5 sur l'encoche droite de la bûche #1 et les deux encoches de la bûche #2.

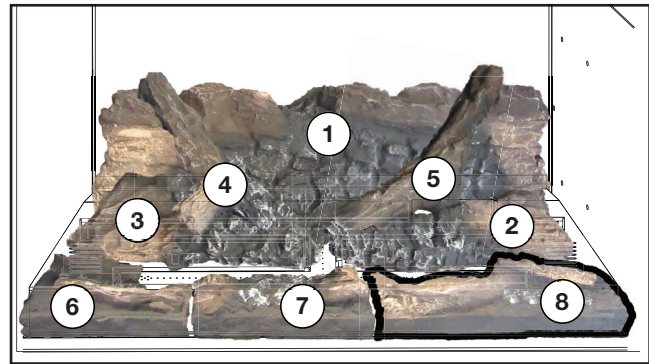


6. Placez la bûche #6 sur le côté gauche de la plateau à média inférieure.



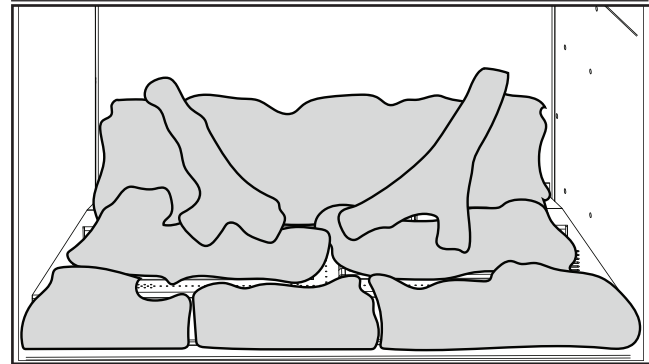
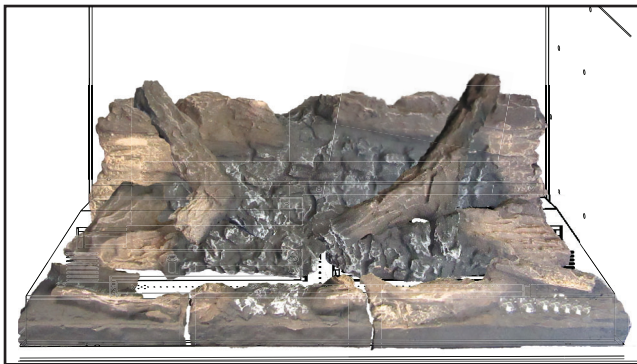


7. Placez la bûche #7 sur le centre de la plateau à média inférieure.



8. Placez la bûche #8 sur le côté droite de la plateau à média inférieure.

**note:**  
Bûches #6, #7, et #8 doivent être alignés avec le bord de la chambre de combustion.



### **! AVERTISSEMENT**

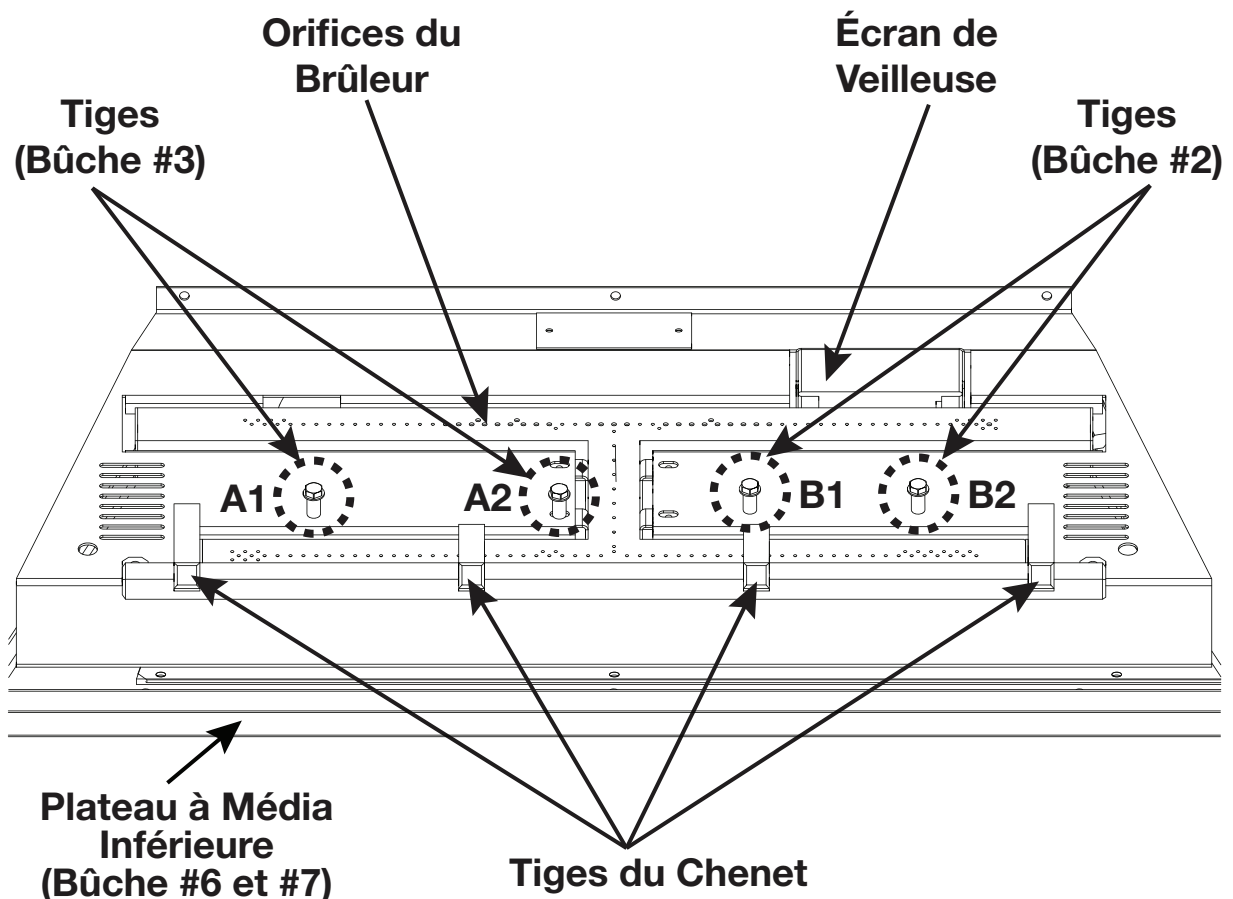
- Omettre de positionner les bûches conformément aux schémas ou omettre d'utiliser uniquement des bûches spécifiquement approuvées pour cet appareil peut causer des dommages matériels ou des blessures corporelles.
- Les bûches doivent être placées correctement à l'intérieur de l'appareil. Ne changez pas la position des bûches car l'appareil risque de ne pas fonctionner adéquatement et un retard d'allumage risque de se produire.
- Les bûches sont fragiles et devraient être manipulées avec soin.

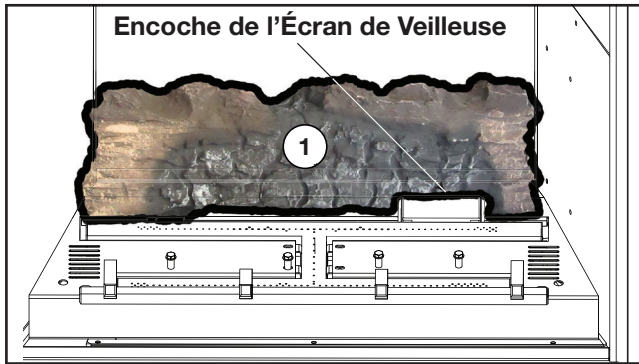
Les bûches **PHAZER<sup>MD</sup>** et les braises incandescentes, exclusives aux appareils Wolf Steel Ltée., créent un effet réaliste et unique qui est différent dans chaque installation. Prenez le temps de bien installer les braises incandescentes pour obtenir le meilleur effet possible. Le couleur des bûches peut varier. Lors de la première utilisation de l'appareil, les couleurs deviendront plus uniformes à mesure que leurs pigments seront « absorbés » pendant le procédé de « cuisson ». Orifices de brûleurs bloqués peuvent provoquer une flamme irrégulière.

**note:**

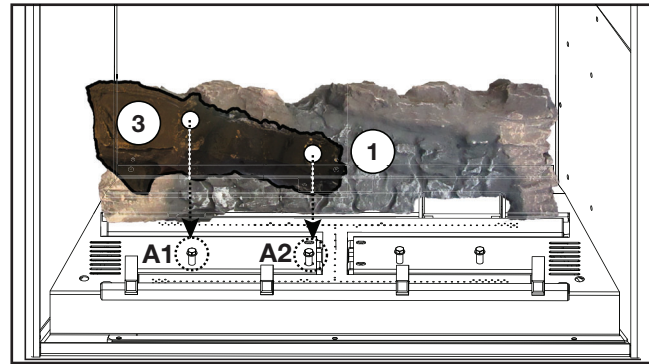
Les numéros de bûches sont situées sur le fond ou à l'arrière des bûches.

No. de bûche	No. de pièce	Description
1	W135-0778	Bûche arrière
2	W135-0779	Bûche droite
3	W135-0880	Bûche gauche
4	W135-0782	Bûche croisé gauche
5	W135-0781	Bûche croisé droite
6	W135-0786	Bûche, bande de charbon
7		

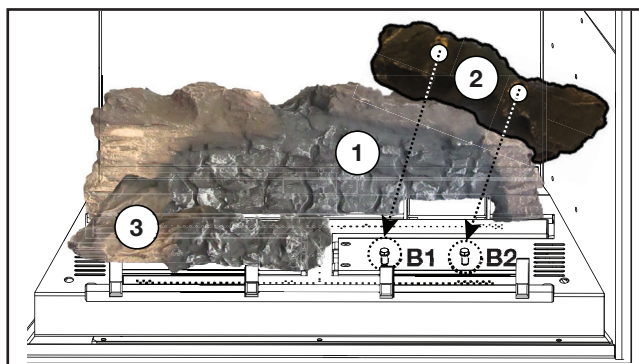




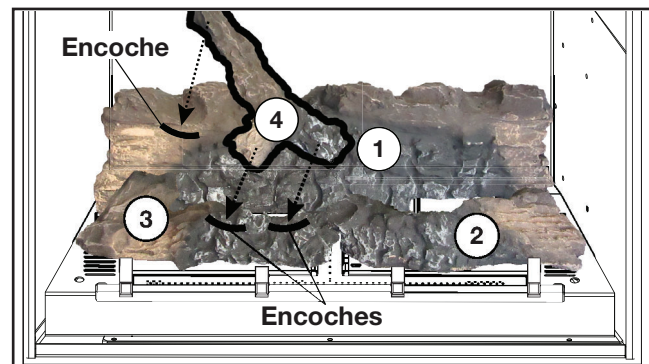
1. Placez la bûche #1 contre le mur arrière. Assurez-vous que l'encoche soit ajustée autour de l'écran de la veilleuse.



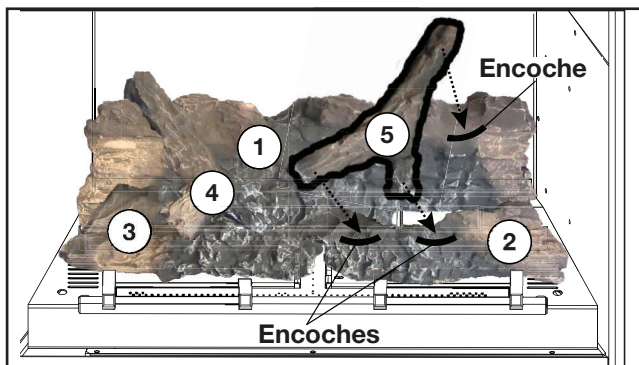
2. Placez les deux trous de la bûche #3 sur A1 et A2. Ne couvrez pas les orifices du brûleur.



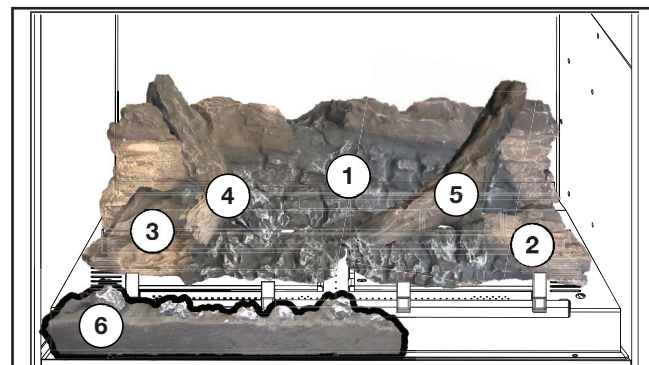
3. Placez les deux trous de la bûche #2 sur B1 et B2. Ne couvrez pas les orifices du brûleur.



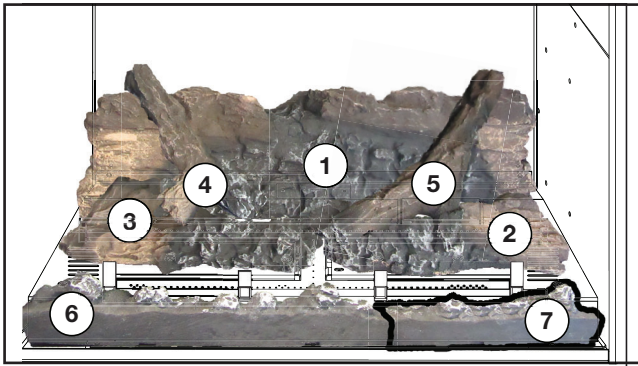
4. Placez la bûche #4 sur l'encoche gauche de la bûche #1 et les deux encoches de la bûche #3.



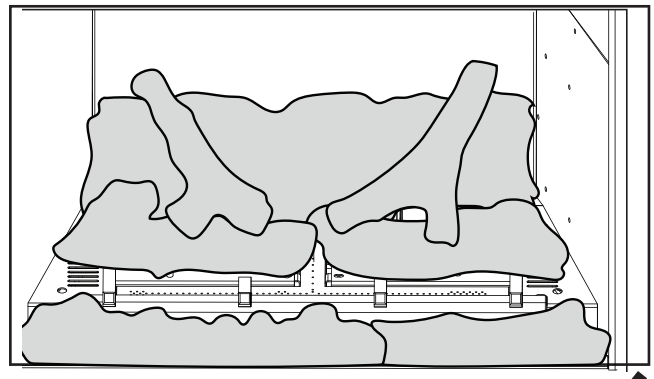
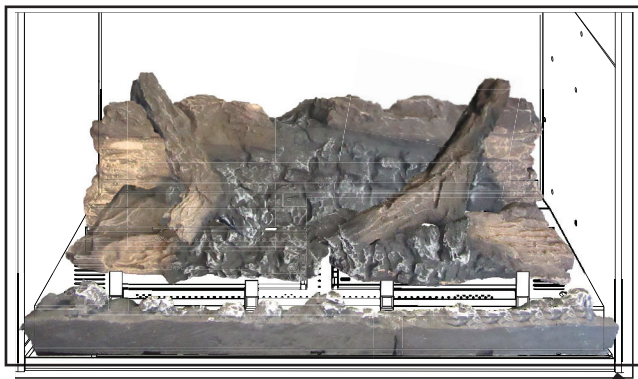
5. Placez la bûche #5 sur l'encoche droite de la bûche #1 et les deux encoches de la bûche #2.



6. Placez la bûche #6 sur le côté gauche de la plateau à média inférieure.



7. Placez la bûche #7 sur le côté droit du plateau à média inférieure.



### 3.4 panneaux décoratifs

Cet appareil n'inclut pas de panneaux de briques décoratives, cependant, des panneaux sont requis. Les kits de panneaux sont vendus séparément. Consultez votre revendeur/distributeur agréé local. Reportez-vous à la section « pièces de rechange ».

### 3.5 installation des médias

## ! AVERTISSEMENT

- Nettoyez les braises vitrifiées avant d'installation. Assurez-vous qu'elles sont sèches avant de les disposer dans le plateau.
- Ne changez pas ou ni substituez pas les braises vitrifiées fournies avec cet appareil. En cas de remplacement, n'utilisez que les braises vitrifiées de rechange disponibles chez votre détaillant autorisé.
- Ne déposez qu'une seule couche de braises vitrifiées sur le brûleur. Plus d'une couche de braises sur le brûleur aura pour effet de faire monter la flamme et créer de la suie.
- Ne placez aucun braises vitrifiées, ni vermiculite sur ou autour de l'ouverture de la veilleuse ni sur les orifices du brûleur. Ceci interférerait avec l'opération de la pilote

Éparpillez soigneusement les braises vitrifiées sur le plateau de manière uniforme.

**note:**

Il ne doit y avoir qu'une seule couche des braises vitrifiées sur le tube du brûleur.

Assurez-vous qu'aucun morceau de verre ne tombe dans la zone de la veilleuse. Si cela se produit, installez un nouveau sac dans votre aspirateur et aspirez les braises vitrifiées. Des braises vitrifiées de rechange peuvent être commandées auprès de votre détaillant autorisé. Dans certaines installations, des braises vitrifiées placés par-dessus le brûleur orifices peuvent causer un bruit de soufflement. À éliminer ce bruit, éloignez simplement les braises vitrifiées des orifices du brûleur.

**note:**

La répartition des braises vitrifiées sur les orifices du brûleur aura une incidence sur la hauteur de la flamme. Lorsque les flammes empiètent sur les braises vitrifiées, celles-ci peuvent se décolorer légèrement et les bords peuvent ramollir.

**note:**

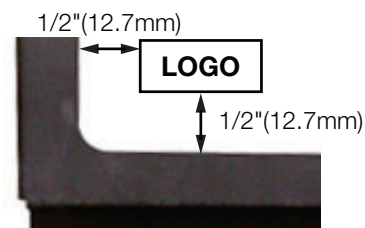
N'utilisez pas plus de composants décoratives de ce qui est fourni avec l'appareil.

#### Nettoyage des Braises Vitrifiées

Il est possible qu'un film huileux recouvre les braises. Avant de les disposer dans le plateau, nettoyez les braises avec un savon à vaisselle doux, égouttez-les, rincez-les à fond et laissez-les sécher.

### 3.6 mise en place du logo

Retirez le papier dorsal du logo et placez-le sur comme illustrée.



## 3.7 braises incandescentes

### ! AVERTISSEMENT

- Obstruez pas ni fermer les orifices du brûleur. Le blocage des orifices du brûleur peut créer une flamme irrégulière, des dépôts de carbone et un retard d'allumage.

Déchirez les braises incandescentes en morceaux et placez une couche lâche sur le grillage du brûleur. Les braises devraient être déchirées très soigneusement en petits morceaux minces irréguliers, car seuls les côtés des fibres exposées à la flamme directe deviendront incandescentes. **Les braises n'allumer lorsque exposés à flamme directe; cependant, il faut veiller à ne pas bloquer ou fermez les orifices du brûleur.**

Le blocage des orifices du brûleur peut créer une flamme irrégulière, des dépôts de carbone et un retard d'allumage. Les bûches **PHAZER<sup>MD</sup>** exposées à la flamme directe deviendront incandescentes. Utilisez seulement les « braises incandescentes » et bûches **PHAZER<sup>MD</sup>** disponible de votre détaillant autorisé locale.

## 3.8 braises de charbon de bois

### ! AVERTISSEMENT

- Obstruez pas ni fermer les orifices du brûleur. Le blocage des orifices du brûleur peut créer une flamme irrégulière, des dépôts de carbone et un retard d'allumage.
- Si équipée; les braises de charbon de bois, les morceaux de charbon et la vermiculite ne doivent pas être placés sur le brûleur.

Éparpillez les braises à l'avant et sur les côtés du support à bûches de façon à créer un effet réaliste. N'utilisez pas la fine poussière qui reste au fond du sac.

**note:**

Les braises de charbon de bois ne doivent pas être placée sur le brûleur.

## 3.9 installation des piles (TDIG3-1 / TDIX3-1)

Pour que l'appareil est fonctionnel par sauvegarde de piles, vous devez installer 4 piles « AA » dans le récepteur. Le récepteur est situé dans le coin inférieur droit de l'appareil (**Fig. 3-3**).

1. Retirez la plaque de recouvrement de la sauvegarde de piles en appuyant les deux onglets servant à fixer la plaque en place.
2. Retirez les 4 piles « AA » dans la sauvegarde de piles and les remplacez avec les nouvelles piles.

**note:**

Notez la polarité des piles et les insérez comme indiqué au couvercle (+/-).

3. Réinstallez la plaque de recouvrement.

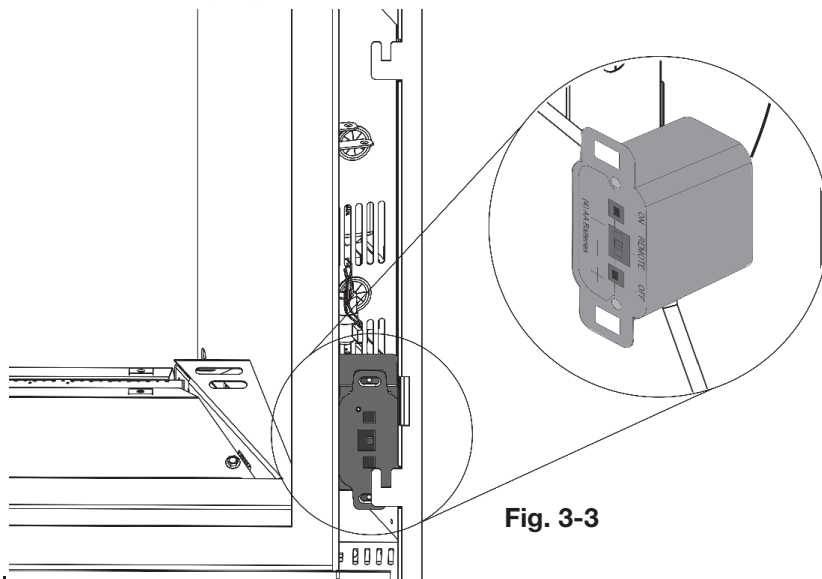


Fig. 3-3

**note:**

Assurez-vous que le commutateur de trois position est dans la position « ÉLOIGNÉE » (la position du milieu).

### 3.10 installation des piles (TDI3E-1)

1. Retirez la sauvegarde de piles en la glissant vers l'avant du support (**Fig. 3-4**).
2. Installez 4 piles.
3. Réinstallez la sauvegarde de piles.

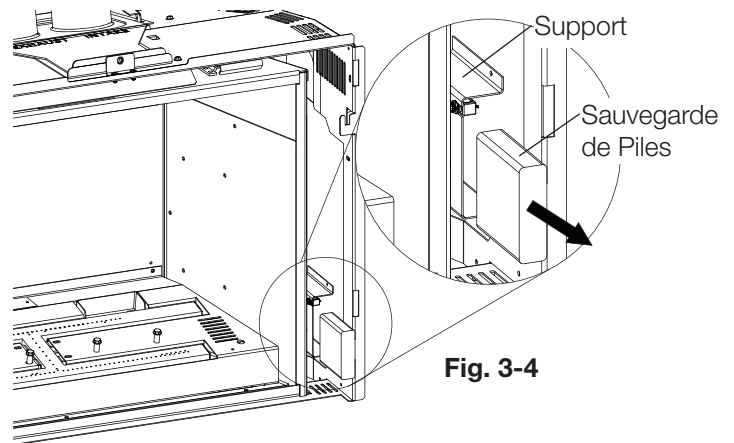


Fig. 3-4

### 3.11 enlèvement du récepteur

1. Retirez le panneau d'accès droit de côté de l'appareil.
2. Retirez les 2 vis du bord intérieur (**Fig. 3-5**) et ouvrez la porte de commande.

**note:**

Si votre ouverture est trop petite, vous devrez peut-être retirer l'appareil légèrement.

3. Enlevez les 2 vis servant à fixer le récepteur.
4. Retirez le récepteur puis remplacez.

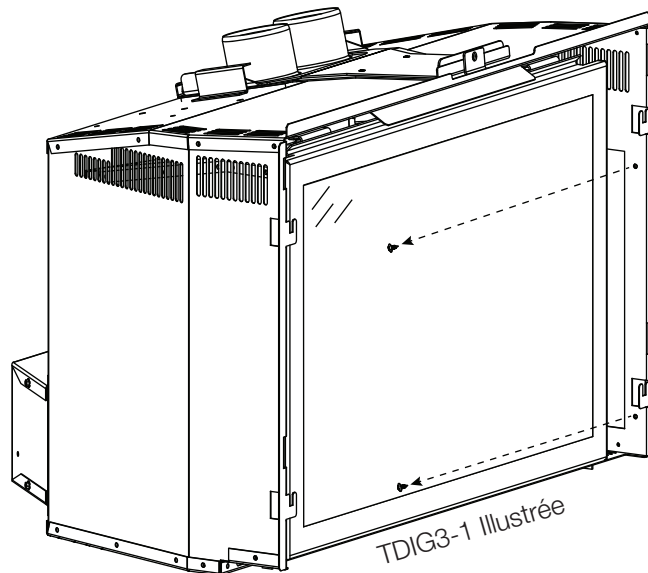
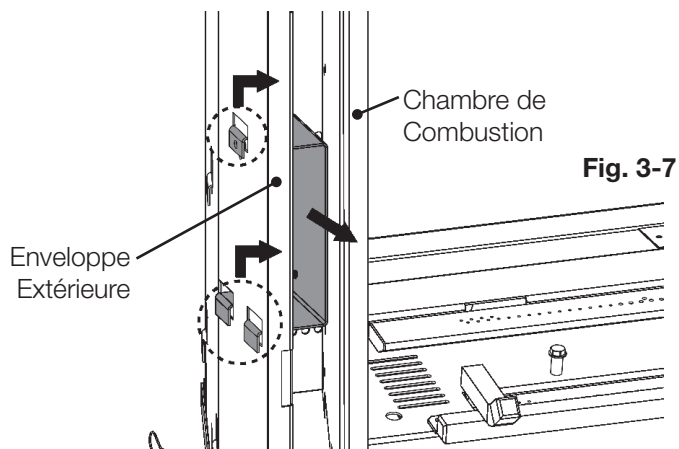
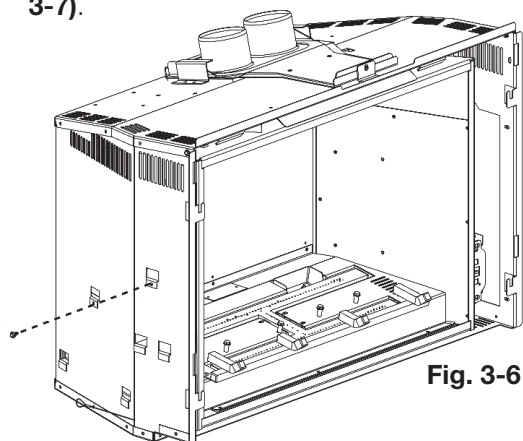


Fig. 3-5

## 3.12 installation de support pour récepteur optionnel F45/60 (TDI3-1)

1. Retirez la barrière de protection et la porte vitrée (voir la section « enlèvement et installation de la barrière de protection et la porte »).
2. Retirez la 1 vis servant à fixer le support en place (**Fig. 3-6**). Soulevez le support et sortez-le des fentes, en le soulevant à travers l'ouverture entre le chambre de combustion et l'enveloppe extérieure de l'appareil (**Fig. 3-7**).



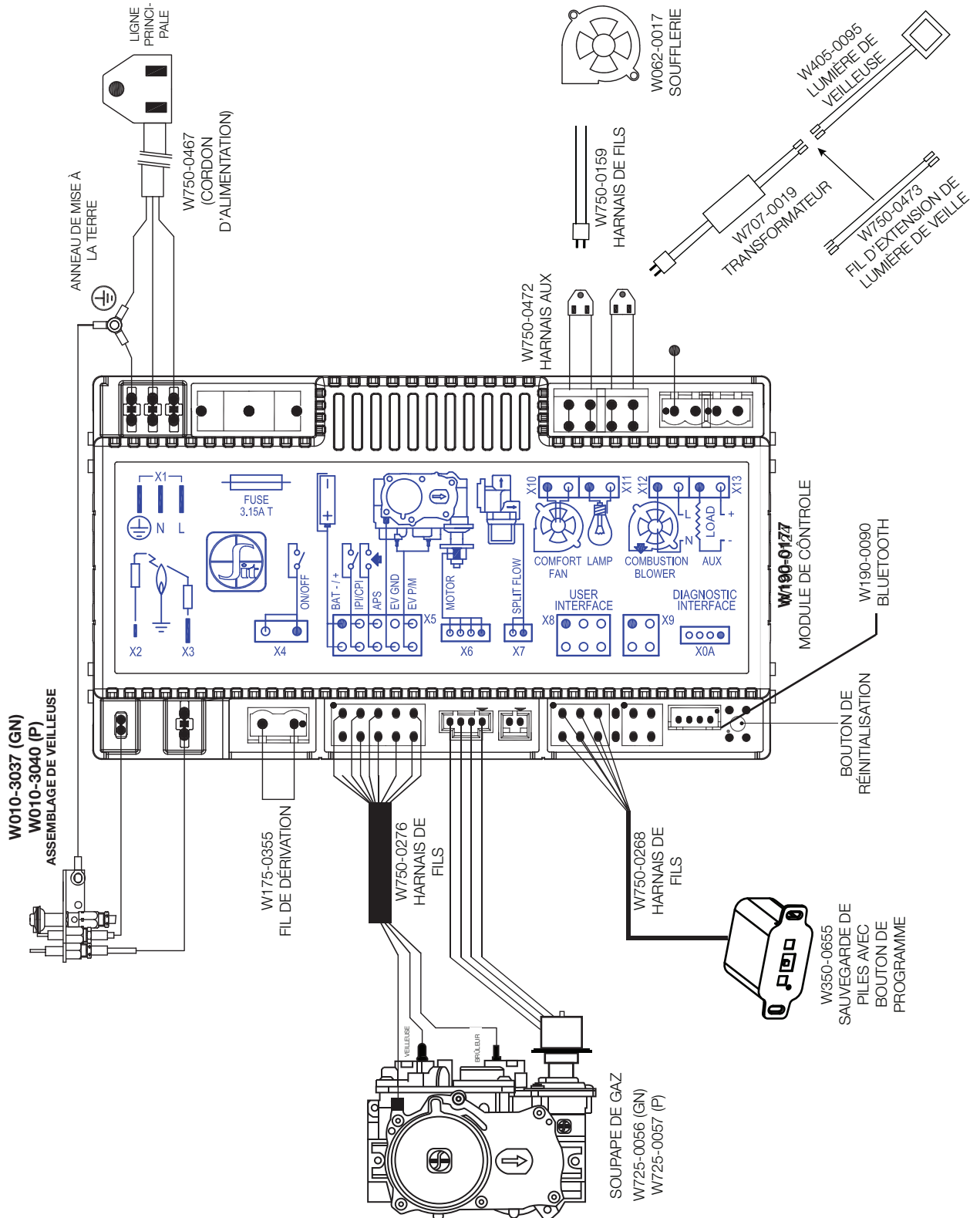
3. Insérez le récepteur optionnel (F45 ou F60) dans le support. Fixez le récepteur en place à l'aide des 2 vis (fournis).
4. Placez le support et le récepteur à travers l'ouverture entre le chambre de combustion et l'enveloppe extérieure de l'appareil. Faites glisser le support et le récepteur dans et vers le bas des fentes (**Fig. 3-7 en sens inverse**).
5. Sécurisez la 1 vis pour fixer le support et le récepteur en place (**Fig. 3-6**).



## 4.1 schéma de câblage (TDIG3-1 / TDIX3-1)

### ⚠ AVERTISSEMENT

- Ne raccordez pas l'interrupteur mural ou la soupape de gaz à l'alimentation électrique (110 volts)

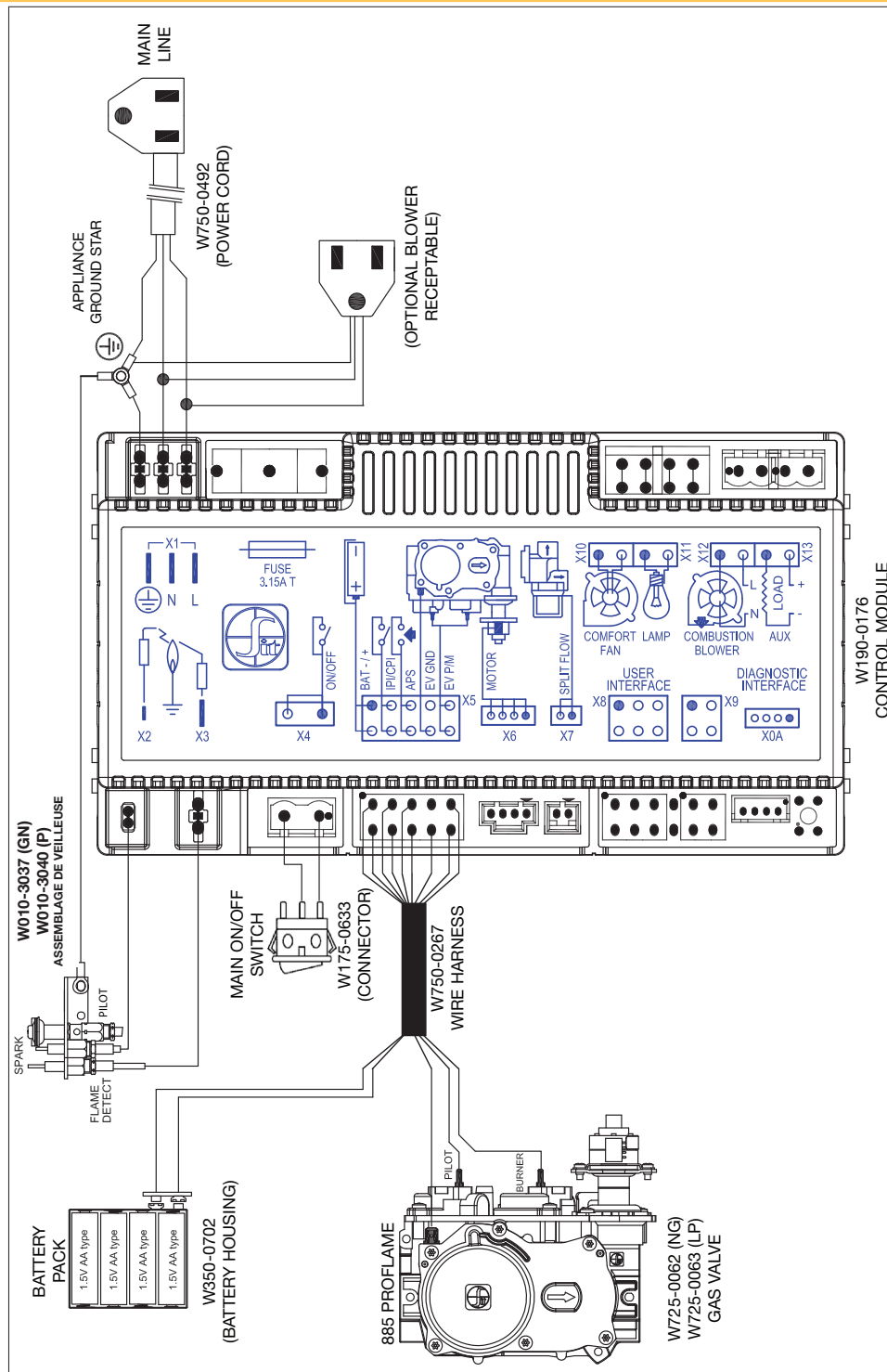


# information électrique

## FR 4.2 schéma de câblage (TDI3E-1)

### ! AVERTISSEMENT

- Ne raccordez pas l'interrupteur mural ou la soupape de gaz à l'alimentation électrique (110V).



#### note:

Cet appareil est équipé avec un sauvegarde de pile. Si le sauvegarde de pile est utiliser, installez 4 piles « AA » (non fournies) dedans le sauvegarde de pile est attachez-le au harnais de fils. Branchez le boîtier de pile au harnais de fils avant d'utiliser l'appareil. Placez-le près du module de contrôle. Si le sauvegarde est utiliser, il doit être connecté à cet pile de 6V (fourni). Ne branchez-le pas à un pile de 9V.

### **AVERTISSEMENT**

- Si ces instructions ne sont pas suivies à la lettre, un incendie ou une explosion pourraient s'ensuivre, causant des dommages matériels, des blessures corporelles ou des pertes de vie.
- Allumez toujours la veilleuse, que ce soit pour la première fois ou lorsque l'approvisionnement en gaz est épuisé, avec la porte vitrée ouverte ou retirée

Assurez-vous que l'arrivée de gaz au brûleur est continue avant de réinstaller la porte. Lorsqu'il est allumé pour la première fois, l'appareil dégagera une légère odeur pendant quelques heures. Cela est une condition normale temporaire causée par le conditionnement des bûches et l'évaporation des peintures et lubrifiants internes utilisés dans le processus de fabrication; elle ne se reproduira plus. Après de longues périodes sans utiliser l'appareil, comme à la suite de vacances ou à la fin de l'été, il se peut qu'une légère odeur se dégage pendant quelques heures. Ceci est causé par des particules de poussière brûlant dans l'échangeur de chaleur. Dans les deux cas, ouvrez une fenêtre pour aérer la pièce.

#### **POUR VOTRE SÉCURITÉ, LISTEZ CE QUI SUIT AVANT D'ALLUMER L'APPAREIL:**

- Ne pas allumer si des enfants ou d'autres individus à risque sont à proximité de l'appareil.
- Cet appareil est muni d'une veilleuse qui doit être allumée manuellement tout en suivant ces instructions à la lettre.
- Avant d'allumer, sentez autour de l'appareil et près du plancher afin de vous assurer qu'il n'y a pas de fuite de gaz. Certains gaz sont plus lourds que l'air et se déposeront au niveau du plancher.
- N'utilisez que votre main pour tourner le bouton de contrôle du gaz. N'utilisez jamais d'outils. Si le bouton ne tourne pas manuellement, n'essayez pas de le réparer. Appelez un technicien qualifié. Forcer le bouton ou tenter de réparer le mécanisme pourrait causer un feu ou une explosion.
- N'utilisez pas cet appareil si une partie quelconque a été submergée. Contactez immédiatement un technicien qualifié pour l'inspecter et pour remplacer toute pièce du système de contrôle et du contrôle du gaz qui aurait été submergée.





#### **QUE FAIRE SI VOUS DÉTECTEZ UNE ODEUR DE GAZ:**

- Coupez l'alimentation en gaz à l'appareil.
- Ouvrez les fenêtres.
- N'allumez aucun appareil.
- Ne touchez à aucun interrupteur électrique; n'utilisez aucun téléphone dans votre immeuble.
- De la maison d'un voisin, appelez immédiatement votre fournisseur de gaz et suivez ses instructions.
- Si vous ne pouvez pas rejoindre votre fournisseur de gaz, appelez le service des incendies.

#### **INSTRUCTIONS D'ALLUMAGE:**


##### **note:**

Pendant l'allumage et réallumage, le bouton de contrôle du gaz ne peuvent pas être tourné de « PILOT » à « OFF » sauf si le bouton est enfoncé.

- Arrêtez!** Lisez les consignes de sécurité ci-dessus.
- Enlevez tous les piles du télécommande et régler le thermostat au réglage minimum, si équipé.
- Coupez l'alimentation électrique à l'appareil.
- Ouvrir la porte de l'appareil, si équipé.
- Tournez le bouton de contrôle du gaz vers la droite  à « OFF ».
- Attendez 5 minutes pour que le gaz puisse s'échapper. Si vous détectez une odeur de gaz, incluant au niveau du plancher, ARRÊTEZ! et suivez les instructions ci-dessus « que faire si vous détectez une odeur de gaz ». Continuez à l'étape suivante si vous ne sentez pas de gaz.
- Si l'appareil est équipé avec une soupape d'ajustement de la flamme, tournez vers la droite  à « OFF ».
- Tournez le bouton de contrôle du gaz vers la gauche  à « PILOT ». (Si l'appareil est équipé avec une interrupteur « ON/OFF » assurez-vous que c'est à la position « ON »).
- Enfoncez légèrement et maintenez le bouton de contrôle du gaz pendant que vous allumez la veilleuse en appuyant sur le bouton-poussoir d'ignition. Gardez le bouton de contrôle du gaz enfoncé pendant une minute, puis relâchez-le. Si la veilleuse ne reste pas allumée, répétez les étapes E à I.
- Lorsque la veilleuse est allumée, enfoncez et tournez le bouton de contrôle du gaz vers la gauche  à « ON ».
- Si votre foyer est muni d'une soupape d'ajustement de la flamme, tournez le bouton de contrôle à « HIGH ».
- Rétablissez l'alimentation électrique à l'appareil et installez les piles dans le télécommande, si équipé. Régler le thermostat à la position désirée, si équipé.



#### **COUPEZ L'ALIMENTATION DE GAZ**

- Régler le thermostat à la position désirée, si équipé.
- Coupez l'alimentation électrique à l'appareil si un travail d'entretien doit être fait.
- Enfoncez légèrement le bouton de contrôle du gaz et tournez vers la droite  jusqu'à « OFF ». Ne forcez pas.

## 6.0 fonctionnement (électronique - TDI3E-1, TDIG3-1, TDIX3-1)

FR

### **! AVERTISSEMENT**

- Si ces instructions ne sont pas suivies à la lettre, un incendie ou une explosion pourraient s'ensuivre, causant des dommages matériels, des blessures corporelles ou des pertes de vie.
- Si applicable, allumez toujours la veilleuse, que ce soit pour la première fois ou lorsque l'approvisionnement en gaz est épuisé, avec la porte vitrée ouverte ou retirée.

Assurez-vous que l'arrivée de gaz au brûleur est continue avant d'installer la porte. Lorsqu'il est allumé pour la première fois, l'appareil dégagera une légère odeur pendant quelques heures. Cela est une condition normale temporaire causée par le conditionnement des bûches et l'évaporation des peintures et lubrifiants internes utilisés dans le processus de fabrication; elle ne se reproduira plus. Après de longues périodes sans utiliser l'appareil, comme à la suite de vacances ou à la fin de l'été, il se peut qu'une légère odeur se dégage pendant quelques heures. Ceci est causé par des particules de poussière brûlant dans l'échangeur de chaleur. Dans les deux cas, ouvrez une fenêtre pour aérer la pièce.

#### **POUR VOTRE SÉCURITÉ, LISTEZ CE QUI SUIT AVANT D'ALLUMER L'APPAREIL:**

- Ne pas allumer si des enfants ou d'autres individus à risque sont à proximité de la veilleuse.
- Cet appareil est équipé d'un dispositif d'allumage qui allume automatiquement la veilleuse. N'essayez pas de l'allumer manuellement.
- Avant d'allumer, sentez autour de l'appareil et près du plancher afin de vous assurer qu'il n'y a pas de fuite de gaz. Certains gaz sont plus lourds que l'air et se déposeront au niveau du plancher.
- N'utilisez pas cet appareil si une partie quelconque a été submergée. Contactez immédiatement un technicien qualifié pour l'inspecter et pour remplacer toute pièce du système de contrôle et du contrôle du gaz qui aurait été submergée.

#### **QUE FAIRE SI VOUS DÉTECTEZ UNE ODEUR DE GAZ**

- Coupez l'alimentation en gaz à l'appareil.
- Ouvrez les fenêtres.
- N'allumez aucun appareil.
- Ne touchez à aucun interrupteur électrique; n'utilisez aucun téléphone dans votre immeuble.
- De la maison d'un voisin, appelez immédiatement votre fournisseur de gaz et suivez ses instructions.
- Si vous ne pouvez pas rejoindre votre fournisseur de gaz, appelez le service des incendies.

#### **INSTRUCTIONS D'ALLUMAGE**

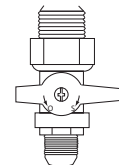
##### **note:**

Cet appareil est équipé d'un dispositif d'allumage qui s'allume automatiquement la veilleuse. N'essayez pas de l'allumer manuellement.

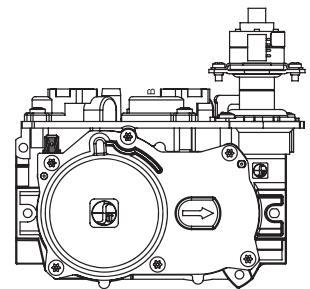
- A.** Arrêtez! Lisez les consignes de sécurité ci-dessus.
- B.** Enlevez tous les piles de la télécommande et réglez le thermostat au réglage minimum, si équipé.
- C.** Coupez l'alimentation électrique à l'appareil.
- D.** Ouvrir la porte de l'appareil, si équipé.
- E.** Tournez le bouton de contrôle du gaz vers la droite à « OFF ». (Elle est situé sur le connecteur flexible).
- F.** Attendez cinq (5) minutes pour que le gaz puisse s'échapper. Si vous détectez une odeur de gaz, incluant au niveau du plancher, **ARRÊTEZ!** et suivez les instructions ci-dessus « QUE FAIRE SI VOUS DÉTECTEZ UNE ODEUR DE GAZ ». Continuez à l'étape suivante si vous ne sentez pas de gaz.
- G.** Tournez le soupape fermeture manuelle vers la gauche à « ON ».
- H.** Rétablissez l'alimentation électrique à l'appareil et installez les piles dans le télécommande, si équipé. Réglez le thermostat à la position désirée, si équipé.
- I.** Tournez l'interrupteur murale de l'appareil à la position « ON ».
- J.** Si l'appareil ne fonctionne pas, suivre les instructions de « couper l'alimentation de gaz » et puis appelez votre technicien de service ou fournisseur de gaz.

#### **COUPEZ L'ALIMENTATION DE GAZ**

- A.** Régler le thermostat à la réglage le plus bas, si équipé.
- B.** Tournez l'interrupteur murale de l'appareil à la position « OFF ».
- C.** Coupez l'alimentation électrique à l'appareil si un travail d'entretien doit être faites.
- D.** Tournez le soupape fermeture manuelle vers la gauche « OFF ». Ne forcez pas.



MANUAL SHUT-OFF  
(SHOWN IN OFF POSITION)



# fonctionnement (électronique - TDI3E-1, TDIG3-1, TDIX3-1)

## 6.1 veilleuse sur demand

Cet appareil est équipé d'un système de veilleuse à allumage intermittent (IPI) « Sur demande » qui comprend également un mode de veilleuse permanente (CPI) avec une minuterie intégrée de sept jours. Ce système minimise l'empreinte carbone de votre appareil et réduit sa consommation annuelle de combustible ainsi que son coût de fonctionnement.

En mode intermittent (IPI), la veilleuse s'allume avant le brûleur principal, lorsque l'appareil est allumé à l'aide d'un interrupteur, d'une télécommande ou d'un appel de chaleur par le thermostat (s'il y a lieu). Une fois l'appareil éteint (ou l'appel de chaleur satisfait), le brûleur principal et la veilleuse s'éteignent.

Le mode continu (CPI) est destiné à améliorer les performances de l'appareil pendant la phase d'allumage dans des climats plus froids et par temps extrême en maintenant le système au chaud lorsque le brûleur principal n'est pas allumé. Cependant, la fonction de minuterie permet d'éteindre automatiquement la veilleuse lorsque l'appareil n'est pas utilisé pendant sept jours afin de réduire la consommation de combustible.

Lorsque le mode continu (CPI) est activé, la veilleuse reste allumée après que le brûleur principal soit éteint. Une minuterie commencera alors le décompte pendant environ sept jours avant d'éteindre la veilleuse si l'appareil n'est pas utilisé. Ce décompte se réinitialisera chaque fois que le brûleur principal de l'appareil sera allumé. Par conséquent, si l'appareil est utilisé régulièrement sur une base journalière, la veilleuse restera allumée. Ce système ne requiert donc pas que l'utilisateur se souvienne d'éteindre la veilleuse à l'approche de l'été, évitant de consommer inutilement du combustible tout en demeurant prêt à être rallumé lorsque le temps froid est de retour.



(Fig. 1)

**Votre appareil peut être équipé d'un interrupteur anticondensation ACS ou d'une télécommande (Fig. 1) qui vous permet de sélectionner les modes IPI ou CPI.**

Si votre appareil est équipé d'un interrupteur ACS, il offre la possibilité de changer de mode:

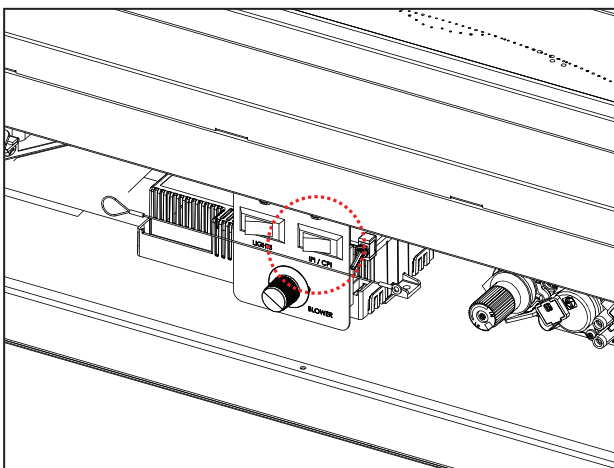
**Fig. 2:** Basculer l'interrupteur sur « ON » allumera la veilleuse permanente avec la minuterie et basculer l'interrupteur sur « OFF » activera le mode d'allumage intermittent de la veilleuse.

**Fig. 3:** Si l'interrupteur est installé avec le fil bleu orienté vers le haut, basculer l'interrupteur vers le HAUT activera la veilleuse permanente avec la minuterie tandis que basculer l'interrupteur vers le BAS activera le mode d'allumage intermittent de la veilleuse. Si l'interrupteur est installé avec le fil blanc orienté vers le haut, c'est l'inverse qui se produit.

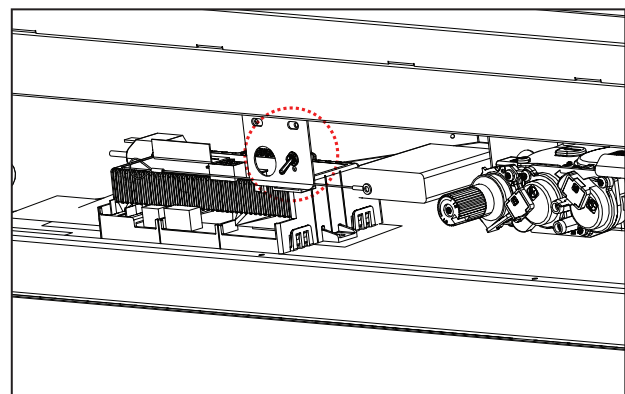
Si votre appareil est pourvu d'une télécommande qui vous permet de sélectionner les modes IPI ou CPI, reportez-vous aux instructions de fonctionnement de la télécommande.

Pour démarrer la veilleuse, en allumant le brûleur principal à l'aide de l'interrupteur, de la télécommande ou du thermostat, et ensuite en l'éteignant, réactivera le mode veilleuse permanente et réinitialisera la minuterie de sept jours.

Pour plus d'informations, consultez le site [www.napoleon.com/pilotondemand](http://www.napoleon.com/pilotondemand).



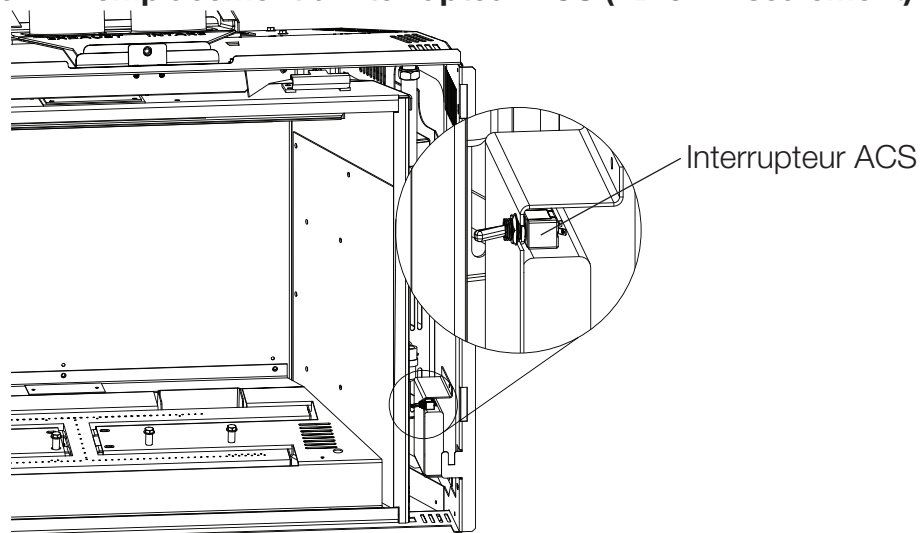
(Fig. 2)



(Fig. 3)

# fonctionnement (électronique - TDI3E-1, TDIG3-1, TDIX3-1)

## FR 6.2 emplacement d'interrupteur ACS (TDI3E-1 seulement)



## 7.1 réglage de la veilleuse

Ajustez la vis de la veilleuse pour obtenir une flamme de taille normale. Tournez vers la droite pour réduire l'apport de gaz.

### Vérifiez la pression:

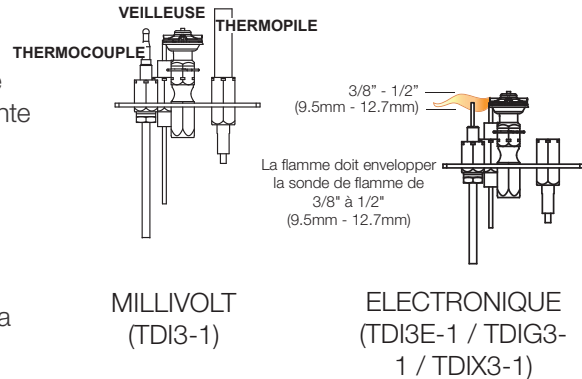
Pour vérifier la pression d'arrivée, tournez la vis (A) vers la gauche deux à trois tours puis emboîtez le tube du manomètre sur la pointe d'essai. Le manomètre doit indiquer la pression comme décrit sur le diagramme ci-dessous. Vérifier la pression avec brûleur principal sur « HI ».

La vérification de la pression de sortie s'effectue comme ci-dessus en utilisant la vis (B). Le manomètre doit indiquer la pression comme décrit sur le diagramme ci-dessous. Vérifier la pression avec le brûleur principale sur « HI ».

**Après avoir pris la lecture des pressions, assurez-vous de tourner fermement les vis vers la droite pour sceller. Ne serrez pas trop fort.**

Vérifiez pour des fuites en appliquant une solution d'eau savonneuse.

Avant d'effectuer le réglage de la veilleuse, assurez-vous que l'assemblage de la veilleuse n'a pas été peint. S'il y a des traces de peinture ou de surpulpérisation, enlevez-les de l'assemblage de la veilleuse ou remplacez-le. Une toile d'émeri ou un tampon récurage (comme Scotch-Brite™) peut être utilisé pour enlever la peinture sur la hotte de la veilleuse, sur l'électrode et sur la capteur de flamme.

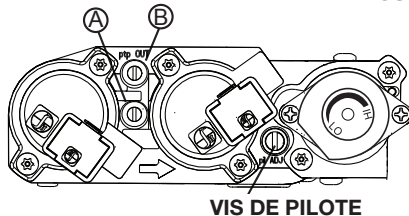


MILLIVOLT  
(TDI3-1)

ELECTRONIQUE  
(TDI3E-1 / TDIG3-1 / TDIX3-1)

Pression	Gaz Naturel (pouces)	Gaz Naturel (millibars)	Propane (pouces)	Propane (millibars)
Arrivée	*7" (minimum 4,5")	17,4mb (minimum 11,2mb)	13" (minimum 11")	32,4mb (minimum 27,4mb)
Sortie	3,5"	8,7mb	10"	24,9mb

\* Pression d'alimentation maximale ne devait pas dépasser 13"



VIS DE PILOTE

### note:

La soupape électronique est illustrée. Voir la section « interrupteur mural optionnel » pour l'image de la soupape millivolt.

## 7.2 réglage du venturi

L'ouverture du volet d'air a été pré-réglée en usine selon le tableau ci-dessous:

Indépendamment de l'orientation du venturi, plus le volet est fermé, plus la flamme est jaune et aura tendance à causer des dépôts de carbone. Plus le volet est ouvert, plus la flamme est bleue et plus elle a tendance à se détacher des orifices du brûleur. La flamme peut ne pas être jaune immédiatement; allouez de 15 à 30 minutes pour que la couleur finale de la flamme se stabilise.

**LE RÉGLAGE DU VOLET D'AIR DOIT ÊTRE EXÉCUTÉ PAR UN TECHICIEN OU INSTALLATEUR QUALIFIÉ.**

### note:

Il est important que l'injecteur soit correctement inséré dans le venturi.

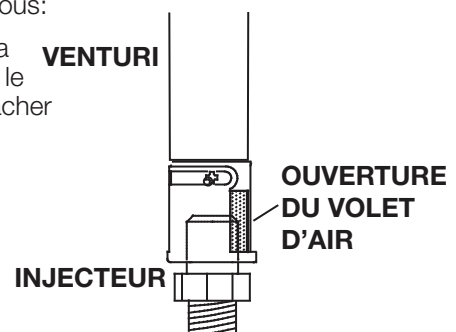


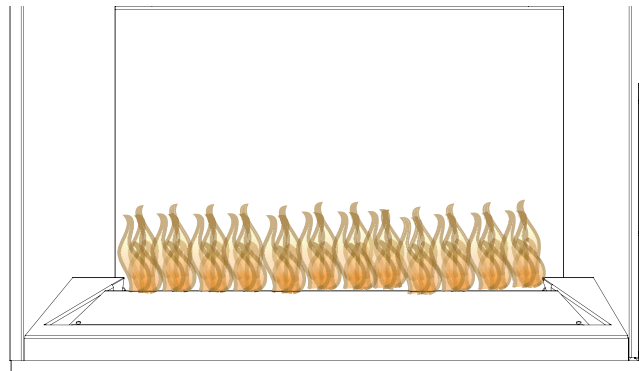
Tableau d'Ajustement Venturi				
	TDI3-1	TDI3E-1	TDIG3-1	TDIX3-1
GN	1/16" (1,6mm)		1/8" (3,2mm)	1/8" (3,2mm)
P	3/16" (4,7mm)		3/16" (4,7mm)	1/4" (6,4mm)

# réglages

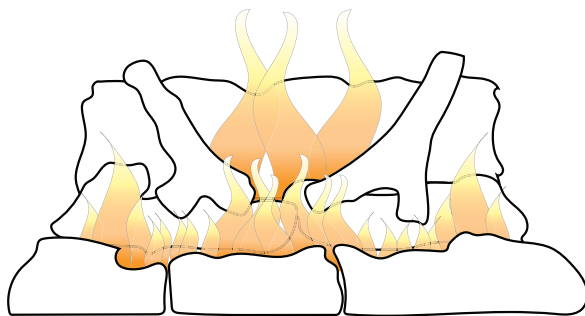
FR

## 7.3 caractéristiques de la flamme

Il est important d'effectuer périodiquement une inspection visuelle de la flamme de la veilleuse et du brûleur. Comparez-les à ces illustrations. Si des flammes paraissent anormales, contactez un technicien de service.



TDIG3-1



TDI3-1 / TDI3E-1



TDIX3-1

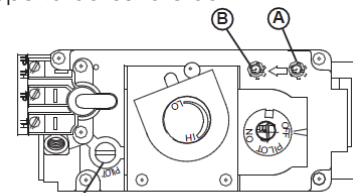
## 7.4 interrupteur mural optionnel

### ! AVERTISSEMENT

- Ne raccordez pas l'interrupteur mural, le thermostat ou la soupape de gaz à l'alimentation électrique de 110 volts

Pour faciliter l'accès, un interrupteur mural ou un thermostat millivolt optionnel (lorsque cela est permis par les codes locaux) peut être installé à un endroit pratique. Passez un fil millivolt à deux brins (noyau solide) de la soupape à l'interrupteur mural ou au thermostat millivolt. La longueur maximale dépend du calibre du fil:

<b>DIAMÈTRE DU FIL</b>	<b>LONGUEUR MAX.</b>
calibre 14 (1,8mm)	100 pieds (30,5m)
calibre 16 (1,5mm)	60 pieds (18,3m)
1 calibre 8 (1,2mm)	40 pieds (12,2m)



VIS DE PILOTE

Déconnectez les fils des bornes 1 et 3 du soupape (de l'interrupteur marche/arrêt) et remplacez-les par les fils de l'interrupteur mural/thermostat millivolt.



## AVERTISSEMENT

- Coupez l'alimentation en gaz et l'alimentation électrique avant de procéder à l'entretien de l'appareil.
- L'appareil peut être chaud. Attendez qu'il soit refroidi avant d'en faire l'entretien.
- N'utilisez pas de produits abrasifs.
- Ne peignez pas l'assemblage de la veilleuse.

Cet appareil et son système d'évacuation devraient être inspectés avant la première utilisation et au moins une fois l'an par un technicien de service qualifié. Les vérifications suggérées doivent être effectuées par un technicien qualifié. L'espace entourant l'appareil doit être gardé propre et libre de matériaux combustibles, d'essence ou d'autres liquides et vapeurs inflammables. Les apports d'air comburant et d'air de connection ne doivent pas être obstrués.

### note:

Attention: Lors de l'entretien des contrôles, assurez-vous d'identifier chacun des fils avant de les débrancher. Une réinstallation incorrecte des fils peut occasionner un mauvais fonctionnement et être dangereuse.

1. Pour nettoyer le brûleur principal et la veilleuse adéquatement, il faut retirer les bûches, les roches ou la vitre afin de dégager les deux ensembles.
2. Gardez le compartiment des contrôles, les composants décoratifs, le brûleur, le volet d'air et l'espace entourant les bûches propres en brossant ou en passant l'aspirateur au moins une fois l'an.
3. Assurez-vous que tous les orifices des brûleurs produisent des flammes. Nettoyez tous les orifices qui n'ont pas de flamme ou dont la flamme ne brûle pas adéquatement.
4. Assurez-vous que la flamme de la veilleuse est assez puissante pour envelopper la sonde de flamme et/ou le thermocouple/thermopile et qu'elle atteigne le brûleur.
5. Si votre appareil est fourni avec une écran de protection, le nettoyage peut être nécessaire en raison d'un excès de poussière / peluches des tapis, animaux, etc. utilisez un l'attachement du brosse sur aspirateur pour nettoyer l'écran.
6. Si votre appareil est fourni avec les détendeur de portes assurez-vous que le système fonctionne efficacement. Assurez que le joint d'étanchéité n'est pas usé ou endommagé. Remplacer si nécessaire.
7. Remettez en place les bûches, les roches ou la vitre nettoyées, si équipé. Omettre de positionner les composants décoratifs adéquatement peut causer des dépôts de carbone qui peuvent se déposer à l'intérieure de la chambre de combustion et sur les surfaces extérieures entourant d'évent.
8. Vérifiez si le brûleur principal allume sur tous les orifices lorsque le bouton de contrôle du gaz est à « ON ». Un temps d'allumage total de 5 à 10 secondes est satisfaisant. Si l'allumage prend plus de temps, consultez votre revendeur agréé ou du distributeur.
9. Inspectez visuellement l'appareil pour des dépôts de carbone. À l'aide d'une balayette ou d'une brosse, enlevez le carbone et aspirez-le avec un aspirateur ou mettez-le au rebut.
10. **Cette étape n'est pas pour les appareils d'événements libres:** Vérifiez que l'appareil correctement mise à l'évent. Vérifiez que le système de cheminée est sûr et accessible. (Si pour auqu'un raison le système d'air est démonter, installez et scellé conformément aux instructions d'installation fournies).

### AVERTISSEMENT

- Le caisson devient très chaud lors du fonctionnement. Laissez l'appareil se refroidir complètement ou portez des gants antichaleur avant d'effectuer l'entretien.
- Ne jamais aspirer des braises qui sont chaudes.
- Ne peinturez pas l'assemblage de la veilleuse.

- Cet appareil nécessite un entretien qui devra être effectué sur une base annuelle.
- L'entretien devrait inclure un nettoyage, le remplacement des piles, une inspection du système d'évent, du brûleur, des éléments décoratifs internes et de la chambre de combustion. Consultez la section pour l'enlèvement de la porte et retirez la porte comme indiqué. Consultez la section pour l'enlèvement de l'écran de protection et retirez la porte comme indiqué.
- Enlevez soigneusement les éléments décoratifs internes s'il y a lieu (bûches, braises de verre, panneaux de brique, etc.)
- À l'aide d'un aspirateur muni d'une brosse souple, aspirez les saletés, les débris et les dépôts de carbone sur les bûches, la chambre de combustion et le brûleur. Pour les braises de verre, suivez les instructions de prénettoyage.

#### note:

Vous devrez nettoyer le capteur de flamme à l'aide d'un morceau de laine d'acier ou un tampon récurage (Scotch-Brite<sup>MD</sup>) afin de retirer toute trace d'oxydation. Nettoyez l'assemblage du pilote à l'aide d'un aspirateur muni d'une brosse souple. Il est important de ne pas peindre l'assemblage de la veilleuse.

- Enlevez aussi tout dépôt se trouvant sur l'assemblage de la veilleuse et aussi, s'il y a lieu, sur la thermopile, le thermocouple, le capteur de flamme et l'allumeur.
- Inspectez tous les joints d'étanchéité accessibles et remplacez-les au besoin.
- Accédez à la soufflerie, s'il y a lieu, puis nettoyez à l'aide d'une brosse souple et d'un aspirateur.
- Réinstallez tous les composants dans l'ordre inverse.
- Inspectez le système de surpression. L'appareil dissipe la pression par la porte vitrée ou par les clapets sur le dessus du caisson. Assurez-vous qu'ils ouvrent sans restriction et qu'ils ferment de façon étanche. Si la vitre de la porte est fissuré, remplacer. Seulement utiliser le verre fourni par votre détaillant autorisé.
- Vérifiez si la soupape de gaz de la veilleuse et les boutons Hi / Lo bougent librement (s'il y a lieu) - remplacez si vous constatez de la rigidité dans le mouvement.
- Vérifiez tous les branchements du gaz pour des fuites de gaz, en amont et en aval de la soupape de gaz incluant les connexions du tube de la veilleuse.

## 8.2 soins de la vitre

### AVERTISSEMENT

- Nettoyer pas la vitre lorsqu'elle est chaude! N'employez pas de détergents abrasifs pour nettoyer la vitre.

Polissez légèrement à l'aide d'un linge propre et sec pour enlever la poussière et les traces de doigts. Nettoyez les deux côtés de la vitre avec un nettoyant sans ammoniac après les dix premières heures de fonctionnement.

#### note:

Les nettoyants à base de vinaigre procurent habituellement une surface propre et sans traces.

Par la suite, nettoyez aussi souvent qu'il le faudra, sinon la vitre risque de rester marquée en permanence.

Ne touchez pas la surface intérieure ou extérieure de la vitre avec des lames de rasoir, de la laine d'acier ou d'autres objets métalliques puisque la mince couche de métal retirée de l'objet pourrait se déposer sur le revêtement causant une décoloration ou une égratignure. Plus important encore, cela peut rayer la surface du verre réduisant ainsi sa puissance.

Ne pas faire fonctionner l'appareil avec la vitre brisée, les fuites de gaz de combustion peut résulter.

Contactez votre détaillant local autorisé pour les instructions de nettoyage complètes.

Si la vitre devait fissurer pendant que le feu brûle, n'ouvrez pas la porte jusqu'à ce que le feu s'éteigne et n'utilisez pas l'appareil jusqu'à ce que la vitre ait été remplacée par une nouvelle, disponible chez votre détaillant autorisé. **N'UTILISEZ PAS DE MATÉRIAUX SUBSTITUTS.**

L'appareil est muni d'une 5mm en verre céramique. Remplacez uniquement avec une pièce pour le foyer disponible chez votre détaillant autorisé. **N'UTILISEZ PAS DE MATÉRIAUX SUBSTITUTS.**

### 8.3 soins des pièces plaquées

Si l'appareil est muni de pièces plaquées, vous devez enlever toutes traces de doigts ou autres marques des surfaces plaquées avant d'allumer l'appareil pour la première fois. Utilisez les nettoyeurs sans ammoniaque ou à base de vinaigre. Si la surface plaquée n'est pas bien nettoyée avant le premier allumage de l'appareil, elle risque de rester marquée en permanence. Une fois que la surface plaquée aura chauffé, les traces de doigts et le gras n'affecteront plus la surface et très peu d'entretien sera requis; vous n'aurez qu'à l'essuyer au besoin. Une combustion prolongée à haute température avec la porte ouverte peut causer une décoloration des pièces plaquées.

**note:**

L'emballage de protection sur les pièces plaquées s'enlève mieux lorsque l'assemblage est à température ambiante ou lorsqu'il est chauffé (c.à.d. avec un séchoir à cheveux ou une autre source de chaleur similaire).

### 8.4 remplacement de la vitre de porte

#### ! AVERTISSEMENT

- N'utilisez pas de matériaux de substitution.
- La vitre peut être chaude, ne touchez pas la vitre jusqu'à ce qu'elle ait refroidi.
- Usez de prudence lorsque vous enlevez et jetez des débris de verrou des composants endommagés. Assurez-vous d'aspirer tous les débris de verre à l'intérieur de l'appareil avant de le faire fonctionner.
- Ne frappez pas, ne claquez pas et n'égratignez pas la porte vitrée. Ne faites pas fonctionner l'appareil lorsque la porte vitrée est enlevée, fissurée, brisée ou égratignée

Ensemble de verre/cadre de remplacement est remplacé complète telle que fournie par le fabricant de l'appareil.

### 8.5 installation de plateau à média

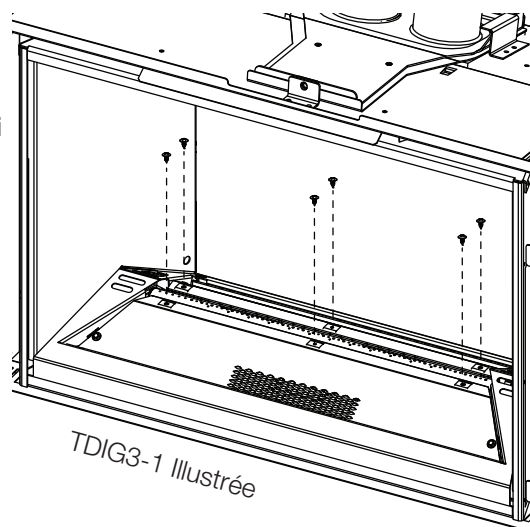
Fixez le plateau à média au brûleur à l'aide de 6 vis (W570-0001).

**Avant de retirer le plateau à média, assurez-vous que les braises sont éloignées du centre du grillage, dégageant ainsi le brûleur, puis enlevez les vis et retirez le plateau en le soulevant.**

Lors du remplacement du brûleur, il ne doit pas y avoir de braises vitrifiées dans l'espace entourant l'injecteur.

**conseil:**

Si les braises vitrifiées se retrouvent dans l'espace entourant l'injecteur, mettez un nouveau sac dans un aspirateur et aspirez les braises. Des braises vitrifiées de rechange peuvent être commandées auprès de votre détaillant Wolf Steel.



# entretien

## FR 8.6 remplacement de la lumière de veille (TDIG3-1 / TDIX3-1)

Votre appareil est muni d'une lumière de veille. La lumière de veille est précâblée et est contrôlée par la télécommande.

Si vous devez remplacer l'ampoule ou la lentille, suivez les instructions suivantes:

- A.** Débranchez l'appareil (la prise est située à côté droite de l'appareil).
- B.** Retirez les 2 vis servant à fixer le bouclier de lumière en place.
- C.** Retirez les 6 vis servant à fixer le déflecteur en place.
- D.** Retirez les 4 vis qui retiennent le cadre de la lentille (**Fig. 8-1**). Ce cadre retient la lentille de verre. Vous pouvez maintenant accéder à l'ampoule.

**note:**

Ne manipulez pas l'ampoule à main nue; protégez-la avec un linge propre et sec.

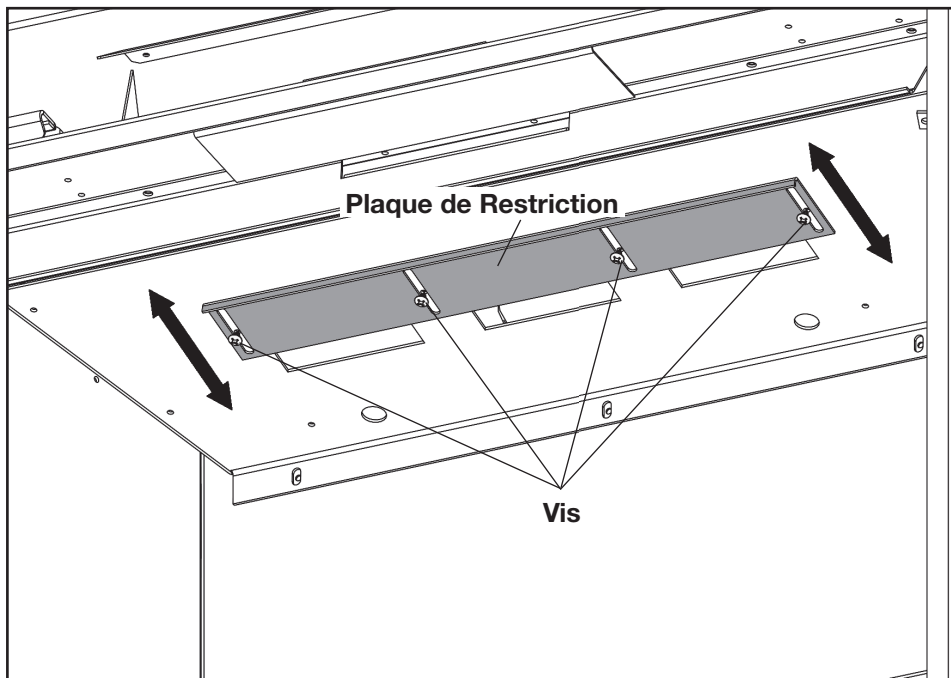
L'ampoule s'enlève en la tirant hors de la douille. Remplacez par des pièces Wolf Steel uniquement, car l'ampoule et la lentille sont des produits spécialement conçus pour les hautes températures. Lors de la réinstallation, vérifiez l'intégrité du joint d'étanchéité.

### **LA CHAMBRE DE COMBUSTION DOIT ÊTRE SCELLÉE**

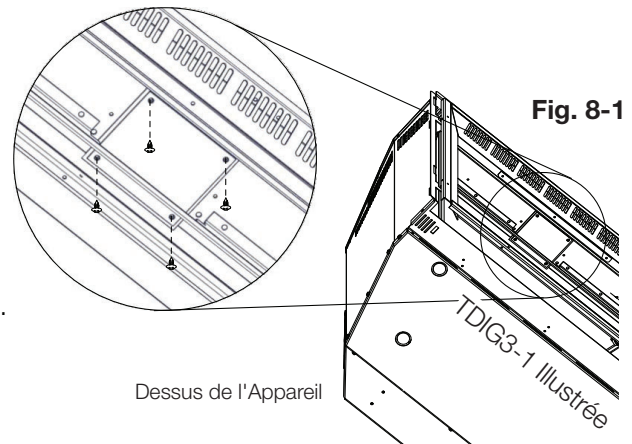
Le serrage excessif des vis risque de briser la lentille. Il est possible que des « fuites de lumière » soient visibles au niveau de la zone supérieure. Les trous dans le boîtier de la lumière sont nécessaires à la ventilation et ne doivent pas être couverts.

## 8.7 renstreignants d'événets verticaux

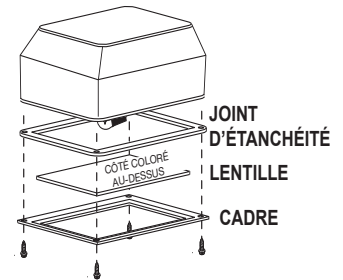
Votre appareil est livré avec une plaque de restriction complètement fermée. Si l'émission de carbone devient un problème, ajustez la plaque de restriction en desserrant les quatre vis et tirant la plaque vers l'avant et vers l'arrière (**Fig. 8-2**). Fixez encore les vis.



**Fig. 8-2**



**Fig. 8-1**



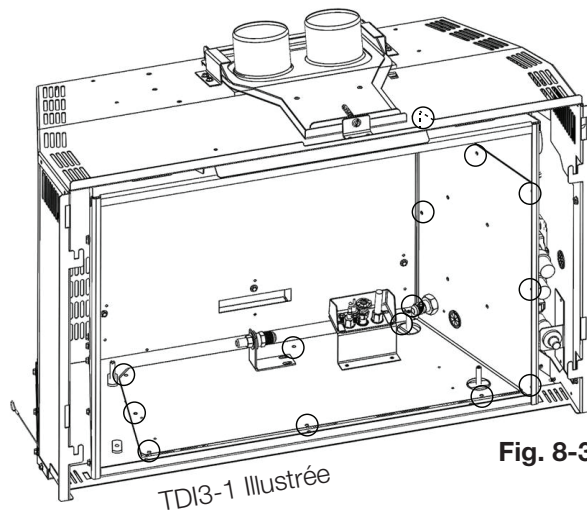
### 8.8 remplacement de l'assemblage de la soupape

- A. Retirez la barrière de protection et porte vitrée (voir la section « enlèvement et installation de la barrière de protection et la porte »).
- B. Retirez la plateau média (voir la section « installation de plateau média ») et brûleurs.
- C. Enlevez les panneaux réflecteurs radiants (PRPs) ou les panneaux simibriques (si l'applicable).
- D. Retirez les 14 vis servant à fixer l'assemblage de la soupape (**Fig. 8-3**).

**note:**

Il est possible qu'un nouveau joint d'étanchéité soit nécessaire lors de la réinstallation de l'assemblage de la soupape. Contactez votre détaillant local autorisé.

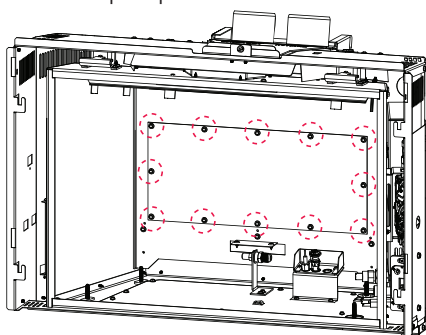
- E. Soulevez l'assemblage de la soupape avec soin, suffisamment loin pour accéder à la soupape d'arrêt manuelle puis tournez-la à « OFF ». Débranchez tous les fils, puis enlevez l'assemblage de la soupape de l'appareil.



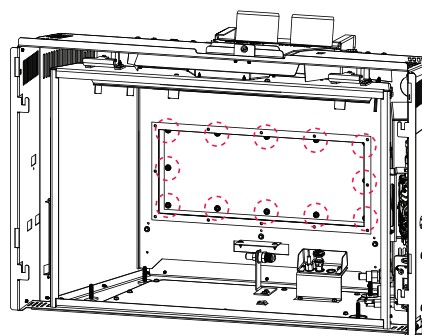
**Fig. 8-3**

### 8.9 accéder la soufflerie pour le service (si équipé)

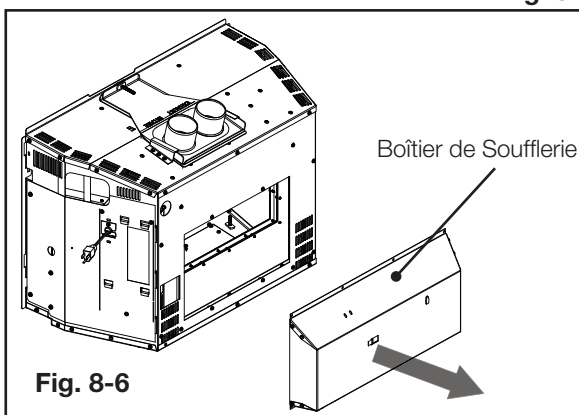
- A. Retirez la barrière de protection et porte vitrée (voir la section « enlèvement et installation de la barrière de protection et la porte »).
- B. Retirez la plateau média (voir la section « installation de plateau média ») et brûleurs.
- C. Enlevez les panneaux réflecteurs radiants (PRPs) ou les panneaux simibriques (si l'applicable).
- D. Retirez le premier panneau d'accès de la soufflerie en enlevant les 12 vis (**Fig. 8-4**).
- E. Retirez le deuxième panneau d'accès de la soufflerie en enlevant les 12 vis (**Fig. 8-5**).
- F. Inversez ces étapes pour réinstaller les deux panneaux d'accès.



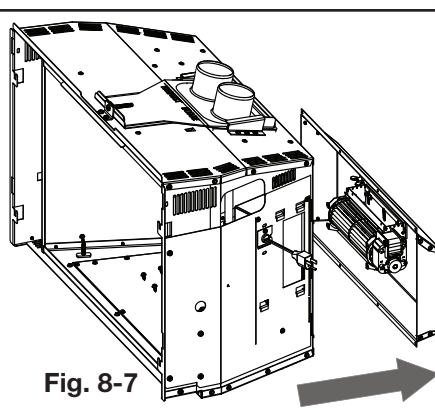
**Fig. 8-4**



**Fig. 8-5**



**Fig. 8-6**



**Fig. 8-7**

**note:**

La soufflerie est également accessible par l'arrière en retirant les vis qui servent à fixer le boîtier de la soufflerie (**Fig. 8-6 et 8-7**).

## 9.0 pièces de rechange

FR

### **AVERTISSEMENT**

- Omettre de positionner les pièces conformément à ce manuel ou d'utiliser uniquement des pièces spécifiquement approuvées pour cet appareil peut causer des dommages matériels ou des blessures corporelles.

Contactez votre détaillant pour les questions concernant les prix et la disponibilité des pièces de remplacement. Normalement, toutes les pièces peuvent être commandées chez votre détaillant autorisé.

**Pour un remplacement de pièce sous garantie, une photocopie de la facture originale sera requise afin de pouvoir honorer la demande.**

Lorsque vous commandez des pièces, donnez toujours l'information suivante:

- Modèle et numéro de série de l'appareil
- Date d'installation de l'appareil
- Numéro de la pièce
- Description de la pièce
- Fini

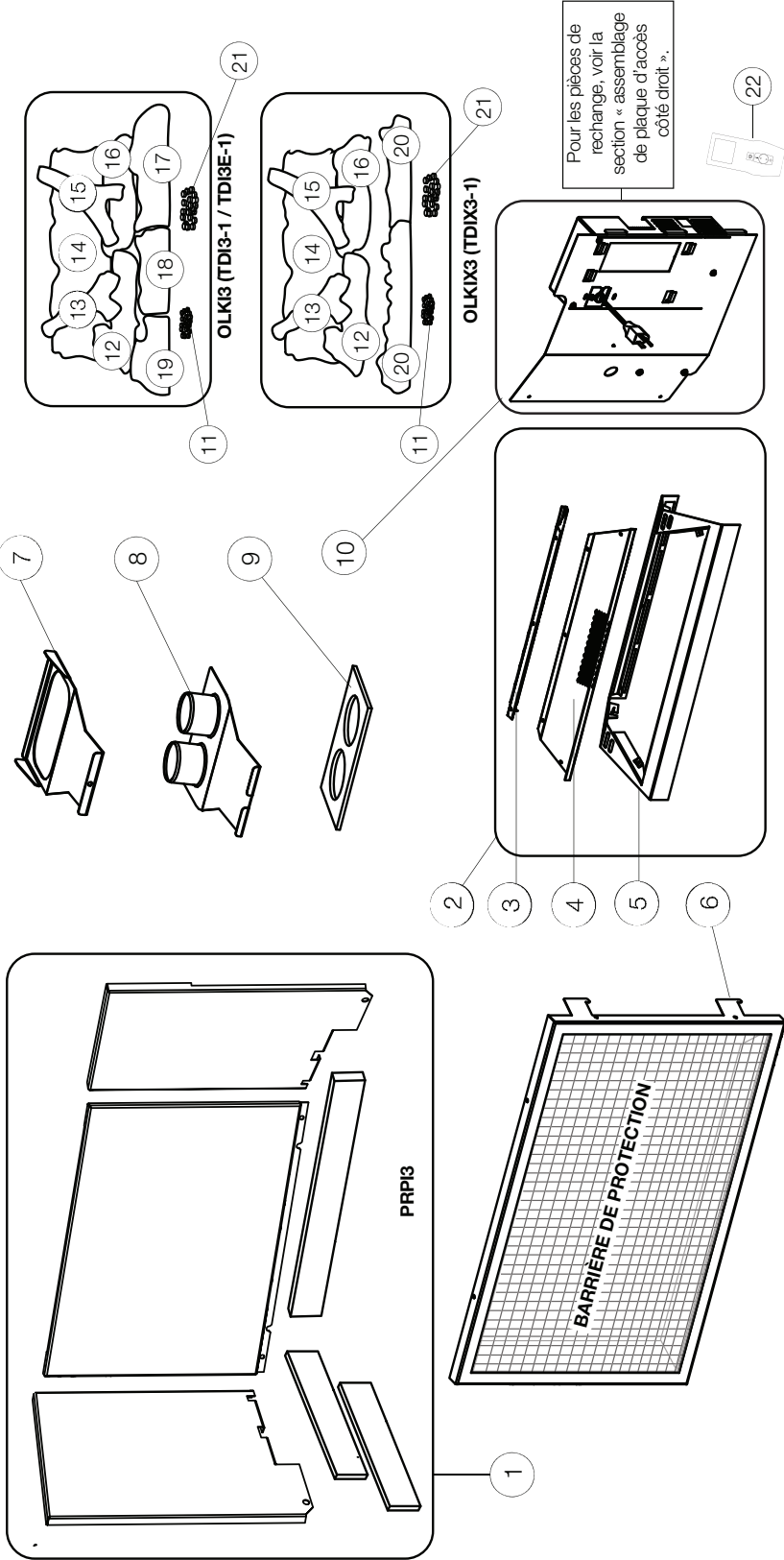
**Pièces, numéro des pièces et s'il soit disponible peut changer sans préavis.**

**Parties identifiées comme garnie seront livrés dans 2 à 5 jours pour la plupart des destinations de livraison.**

**Pièces non identifiées que stockés seront livrés dans un délai de 2 à 4 semaines pour la plupart des cas.**

**Pièces identifiées comme « SO » sont commande spéciale et peuvent prendre jusqu'à 90 jours pour la livraison.**

9.1 vue d'ensemble



Ces articles peuvent différer de celles illustrées.

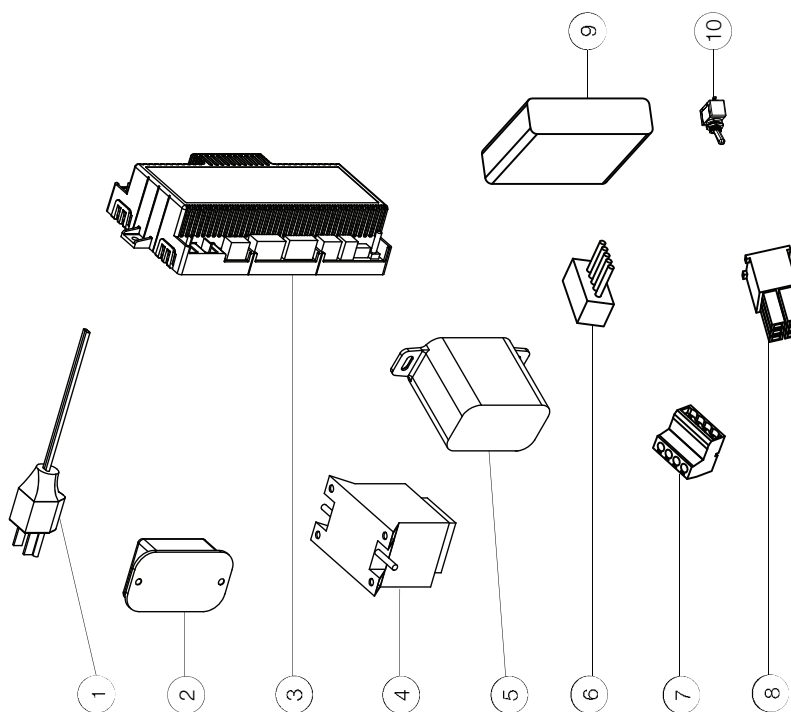
Réf.	No. de Pièce	Description	En Stock
1	PRP13	Panneaux réflecteurs radiants en porcelaine	
2	W010-2629	Assemblage de plateau à média (TDIG3-1 seulement)	
3	W565-0132	Écran de brûleur arrière (TDIG3-1 seulement)	
4	W565-0131	Écran de brûleur avant (TDIG3-1 seulement)	
5	W200-0371	Couverture du plateau à média (TDIG3-1 seulement)	
6	W010-4414	Assemblage de l'écran de protection	
7	W010-4790	Assemblage, glissade de l'évent	
8	W010-4791	Assemblage, collier	
9	W290-0183	Joint d'étanchéité des événements	Oui
10	W010-6080	Assemblage de plaque d'accès côté droite (TDIG3-1/TDIX3-1)	
10	W010-6071	Assemblage de plaque d'accès côté droite (TDIG3-1)	Oui
10	W010-5120	Assemblage de plaque d'accès côté droite (TDIG3-1)	Oui
11	W361-0016	Braises incandescentes	Oui

Réf.	No. de Pièce	Description	En Stock
12	W135-0780	Bûche, gauche (OLKI/X3)	
13	W135-0782	Bûche, croisé gauche (OLKI/X3)	
14	W135-0778	Bûche, arrière (OLKI/X3)	
15	W135-0781	Bûche, croisé droite (OLKI/X3)	
16	W135-0779	Bûche, droite (OLKI/X3)	
17	W135-0785	Bûche, charbon de bois droite (OLKI3)	
18	W135-0784	Bûche, charbon de bois centre (OLKI3)	
19	W135-0783	Bûche, charbon de bois gauche (OLKI3)	
20	W135-0786	Bûche, bande de charbon (gauche/droite) (OLKI3)	
21	W550-0001	Braises de charbon de bois	Oui
22	W660-0203	Télécommande Profiflame (TDIG3-1)	Oui
23 *	GZ553	Kit de soufflerie de remplacement	

\* Parties non illustrées.

## 9.2 assemblage de plaque d'accès côté droit

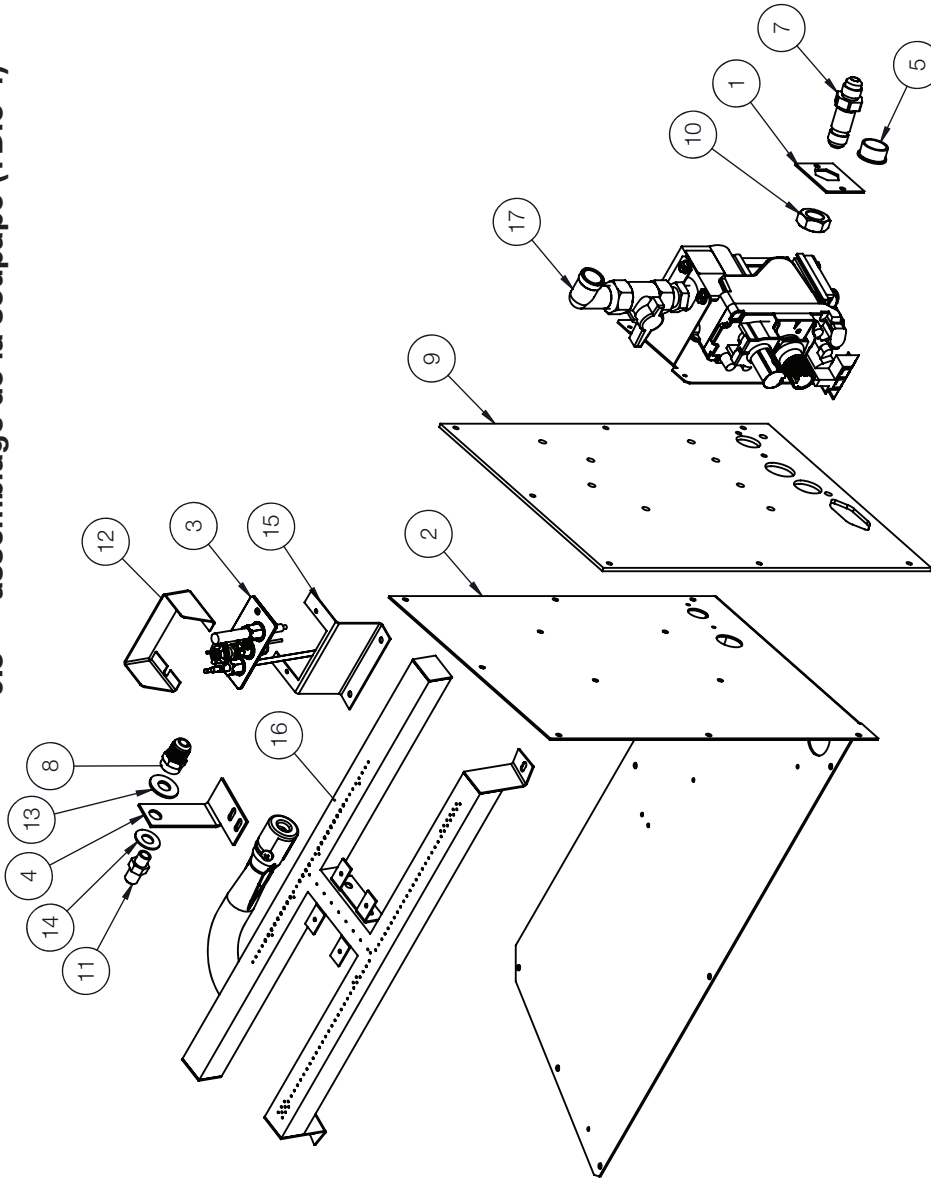


Ces articles peuvent différer de ceux illustrés.

Réf.	No. de Pièce	Description	En Stock
1	W750-0467	Harnais de fils (cordon d'alimentation de 10pi.)	
1	W750-0190	Harnais de fils (cordon d'alimentation (TDI3-1 seulement)	
1	W750-0492	Harnais de cordon (TDI3E-1)	
2	W190-0090	Module de contrôle Bluetooth (TDIG/X3-1)	Oui
3	W190-0177-SER	Contrôle de Proflame 2 (TDIG/X3-1)	Oui
3	W190-0176-SER	Contrôle de Proflame 2 (TDI3E-1)	Oui
4	W707-0019	Transformateur (TDIG/X3-1)	Oui
5	W350-0655	Sauvegarde de piles Proflame 2 (TDIG/X3-1)	Oui
6	W750-0276	Harnais de fils (TDIG/X3-1)	Oui
6	W750-0267	Harnais de fils (TDI3E-1)	Oui
7	W750-0472	Harnais aux. (TDIG/X3/E3-1)	
8	W750-0268	Fil, sauvegarde de piles (TDIG/X3-1)	Oui
9	W350-0702	Sauvegarde de piles (TDI3E-1)	Oui
10	W750-0191	Interrupteur ACS (TDI3E-1)	Oui



9.3 assemblage de la soupape (TDI3-1)

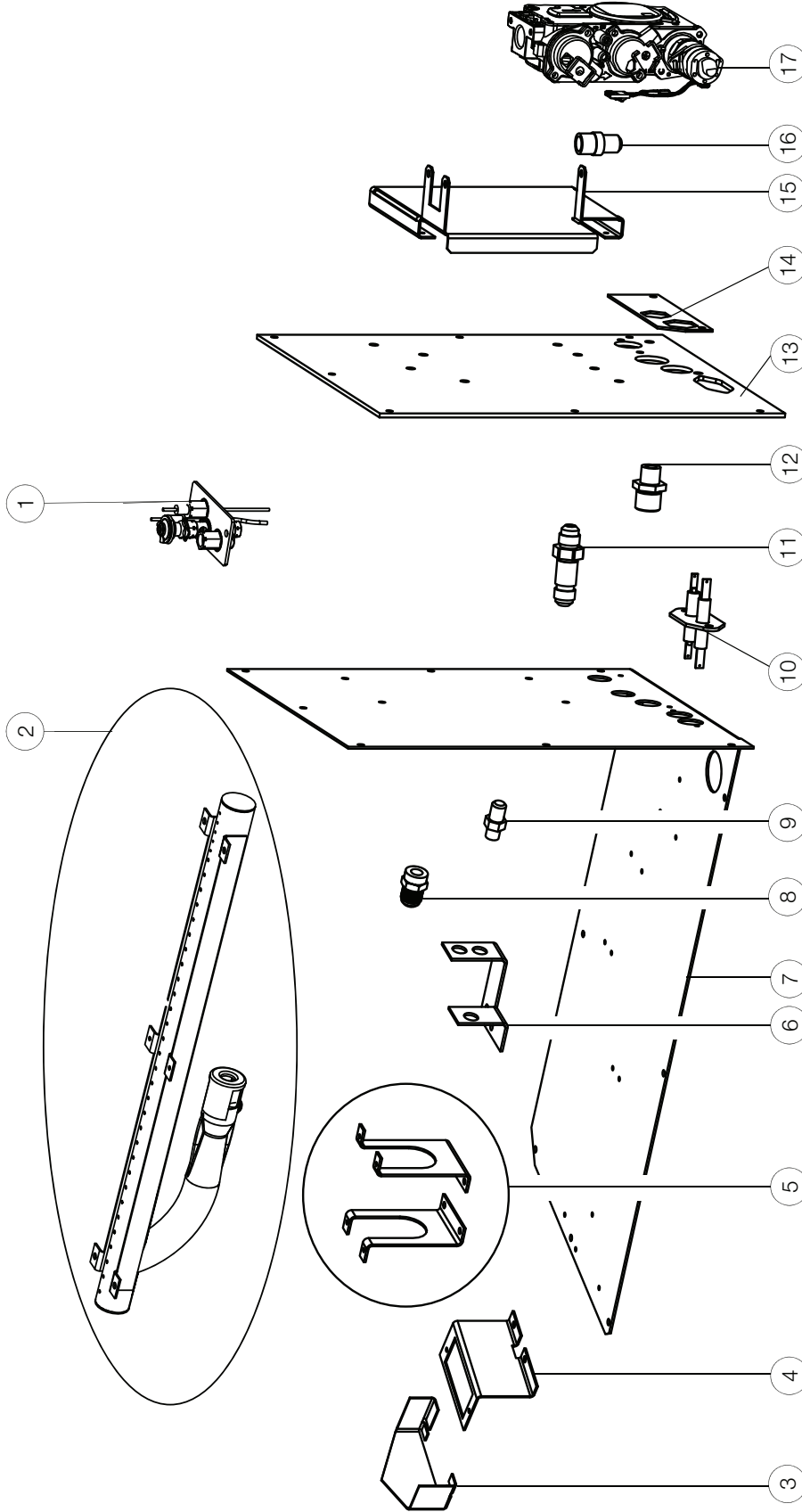


Ces articles peuvent différer de celles illustrées.

Réf.	No. de Pièce	Description	En Stock	No. de Pièce	Description	En Stock
1	W500-1130	Plaque de fixation		10	Écrou 5/8"-18	
2	W710-0139	Plateau de brûleur		11	Orifice de brûleur #43 (GN)	Oui
3	W010-0633	Assemblage de veilleuse	Oui	11	Orifice de brûleur #53 (P)	Oui
4	W080-1915	Support d'orifice		12	Écran de veilleuse	
5	W105-0001	Bague		13	Rondelle 7/16"	
6 *	W175-0281	9" connexion flexible		14	Rondelle 3/8"	
7	N255-0002-SER	3/8 raccord de cloison	Oui	15	Support de veilleuse	
8	W255-0002	3/8 tube à 1/8 NPT tuyau		16	Brûleur	
9	W290-0866	Joint d'étanchéité de plateau de brûleur		17	Assemblage de veilleuse	

\* Parties non illustrées.

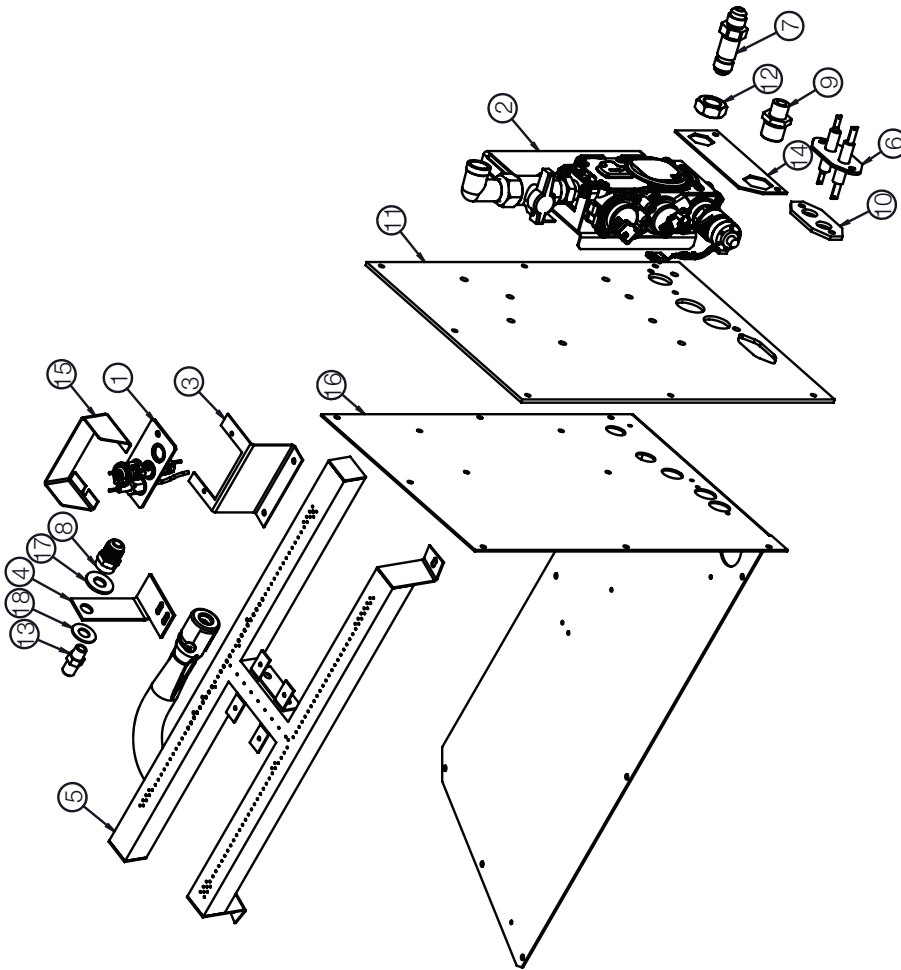
## 9.4 assemblage de la soupape (TDIG3-1)



Ces articles peuvent différer de celles illustrées.

Réf.	No. de Pièce	Description	En Stock	Réf.	No. de Pièce	Description	En Stock
1	W010-3037	Assemblage de veilleuse	Oui	10	W240-0010	Électrode, double cloison	Oui
2	W010-4470	Assemblage de brûleur tubulaire		11	N255-0002-SER	Raccord de cloison	Oui
3	W350-0899	Boîtier de veilleuse		12	W255-0021	Raccord	
4	W080-1895	Support de veilleuse		13	W290-0938	Joint d'étanchéité de brûleur	
5	W080-1194	Support de brûleur tubulaire		14	W500-1136	Plaque de fixation	
6	W080-1189	Support d'orifice		15	W080-2044	Support de soupape	
7	W710-0135	Plateau de brûleur		16	W445-0038	Connecteur, 3/8" tube à 3/8" tuyau	Oui
8	W255-0002	3/8" tube à 1/8" NPT tuyau		17	W725-0056	Soupape (GN)	Oui
9	W456-0042	Orifice de brûleur #42 (GN)	Oui				
9	W456-0053	Orifice de brûleur #53 (P)	Oui				

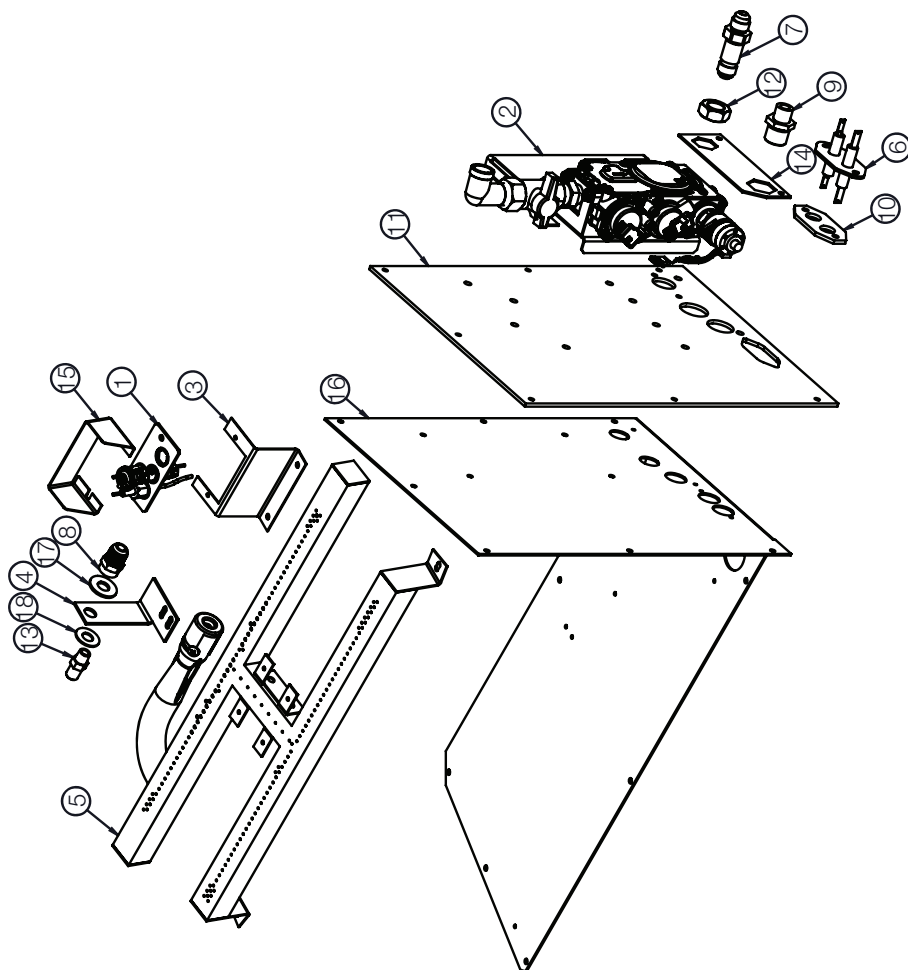
9.5 assemblage de la soupape (TDIX3-1)



Ces articles peuvent différer de celles illustrées.

Réf.	No. de Pièce	Description	En Stock	Réf.	No. de Pièce	Description	En Stock
1	W010-3037	Assemblage de veilleuse	Oui	11	W290-0938	Joint d'étanchéité de plateau à média	
2	W010-6074	Assemblage de soupape		12	W450-0050	Écrous 5/8" - 18	
3	W080-1910	Support de veilleuse		13	W456-0037	Orifice de brûleur #37 (GN)	Oui
4	W080-1915	Support d'orifice		13	W456-0052	Orifice de brûleur #52 (P)	Oui
5	W100-0245	Brûleur		14	W500-1129	Plaque de fixation	
6	W240-0010	Double électrode	Oui	15	W585-0931	Écran de veilleuse	
7	N255-0002	3/8 raccord de cloison	Oui	16	W710-0134	Plateau de brûleur	
8	W255-0002	3/8 tube à 1/8 NPT tuyau		17	W735-0019	Rondelle 7/16"	
9	W255-0021	Cloison		18	W735-0051	Rondelle 3/8"	
10	W290-0137	Joint d'étanchéité de cloison double					

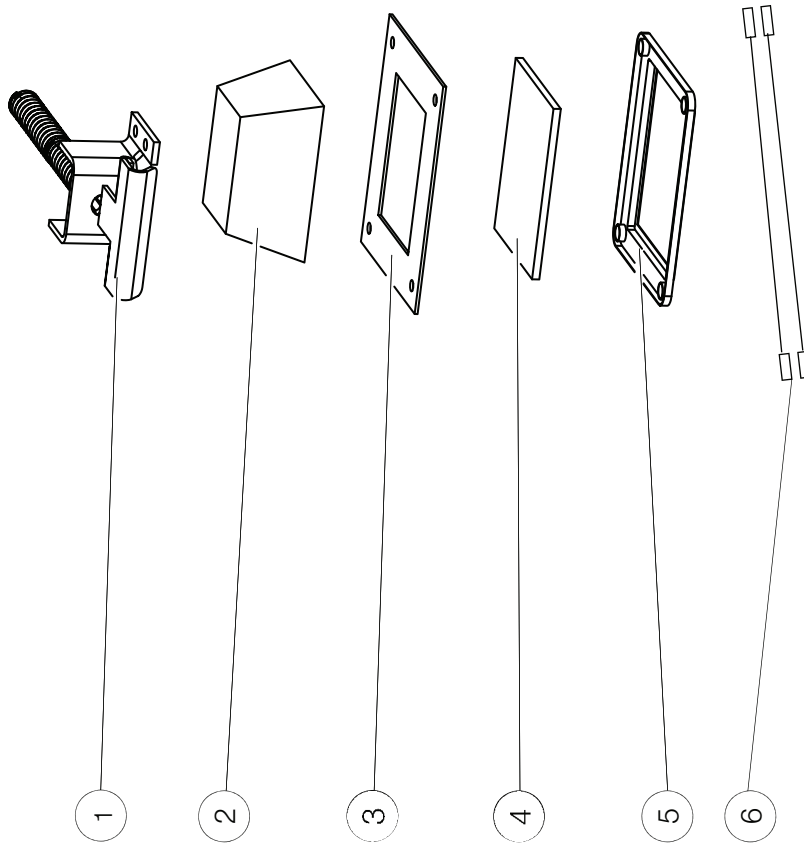
## 9.6 assemblage de la soupape (TDI3E-1)



Ces articles peuvent différer de celles illustrées.

Réf.	No. de Pièce	Description	En Stock
1	W010-3037	Assemblage de veilleuse	Oui
2	W010-6068	Assemblage de soupape	
3	W080-1910	Support de veilleuse	
4	W080-1915	Support d'orifice	
5	W100-0244	Brûleur	
6	W240-0010	Double électrode	Oui
7	N255-0002	3/8 raccord de cloison	Oui
8	W255-0002	3/8 tube à 1/8 NPT tuyau	
9	W255-0021	Cloison	
10	W290-0137	Joint d'étanchéité de cloison double	
Réf.	No. de Pièce	Description	En Stock
11	W290-0938	Joint d'étanchéité de plateau à média	
12	W450-0050	Écrou 5/8"-18	
13	W456-0043	Orifice de brûleur #43 (GN)	Oui
13	W456-0053	Orifice de brûleur #53 (P)	Oui
14	W500-1129	Plaque de fixation	
15	W585-0931	Écran de veilleuse	
16	W710-0134	Plateau de brûleur	
17	W735-0019	Rondelle 7/16"	
18	W735-0051	Rondelle 3/8"	

9.7 assemblage de la chambre de combustion



Ces articles peuvent différer de celles illustrées.

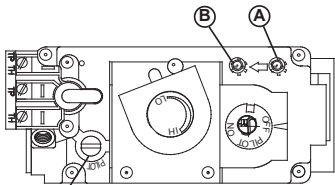
Réf.	No. de Pièce	Description	En Stock
1	W010-3684	Loquet de porte (X2)	
2	W405-0095	Assemblage du luminaire à haute température	
3	W290-0080	Joint d'étanchéité plaque de recouvrement	Oui
4	W300-0086	Verre ceramique lentille	Oui
5	W280-0071	Plaque de recouvrement lentille	Oui
6	W750-0473	Fil d'extension de lumière de veille (TDIG/X3-1)	

# 10.0 guide de dépannage (millivolt - TDI3-1)

FR

## ! AVERTISSEMENT

- Allumez toujours la veilleuse, que ce soit pour la première fois ou lorsque l’approvisionnement en gaz est épuisé, avec la porte vitrée ouverte ou retirée.
- Coupez l’alimentation en gaz et l’alimentation électrique avant de procéder à l’entretien de l’appareil.
- L’appareil peut être chaud. N’effectuez aucun entretien jusqu’à ce que l’appareil soit refroidi.
- N’utilisez pas de nettoyants abrasifs.

symptôme	problème	solutions															
La flamme du brûleur principal est bleue, paresseuse et transparente.	Système d’évacuation bloqué.	- Enlevez ce qui obstrue. Dans des conditions de froid extrême, une accumulation de glace peut se former sur la terminaison et devrait être enlevée lorsque nécessaire. Pour minimiser les chances que cela survienne de nouveau, il est recommandé que les événements qui passent à travers des espaces non chauffés (greniers, garages, espaces réduits) soient recouverts d’un manchon isolant en mylar. Assurez-vous que le manchon ne puisse pas s’affaisser. Pour plus de renseignements, contactez votre détaillant local autorisé.															
Le brûleur principal s’éteint; la veilleuse reste allumée.	La flamme de la veilleuse n’est pas assez puissante ou n’enveloppe pas la thermopile.	- Augmentez la flamme de la veilleuse. - Remplacez l’assemblage de la veilleuse.															
	La thermopile cause un court-circuit.	- Nettoyez la connexion de la thermopile à la borne de la soupape et reconnectez. - Remplacez la thermopile ou la soupape.															
	Le fil de l’interrupteur mural est trop long; trop de résistance dans le système.	- Raccourcissez la longueur du fil ou changez le calibre du fil.															
	Le thermostat ou l’interrupteur est défectueux.	- Remplacez.															
Le brûleur principal s’éteint; la veilleuse s’éteint.	Référez-vous à « LE BRÛLEUR PRINCIPAL S’ÉTEINT; LA VEILLEUSE RESTE ALLUMÉE ».																
	L’évacuation est bloquée.	- Enlevez ce qui obstrue.															
	L’évacuation recircule.	- Vérifiez l’étanchéité des joints et leur installation.															
	La gaine flexible n’est plus branchée à l’appareil.	- Rebranchez à l’appareil. - Le couvercle d’évacuation n’a pas été remis en place.															
Les flammes sont régulièrement trop grandes ou trop petites. Il y a des dépôts de carbone.	La pression du gaz est trop faible ou trop forte.	- <b>Vérifiez la pression:</b> Pour vérifier la pression d’arrivée, tournez 2 ou 3 fois la vis (A) vers la gauche, puis emboîtez le tube du manomètre sur la pointe d’essai. Le manomètre doit indiquer la pression comme décrit sur le diagramme ci-dessous. Assurez-vous que le brûleur principal fonctionne à « HI ». La pression de sortie peut être vérifiée de la même façon en utilisant la vis (B). Le manomètre doit indiquer la pression comme décrit sur le diagramme ci-dessous. Assurez-vous que le brûleur principal fonctionne à « HI ». <b>APRÈS AVOIR PRIS LA LECTURE DES PRESSIONS, ASSUREZ-VOUS DE TOURNER FERMEMENT LES VIS VERS LA DROITE POUR SCELLER. NE SERREZ PAS TROP FORT.</b> Vérifiez pour des fuites en appliquant une solution d’eau savonneuse.															
 <p><b>VIS DU PILOTE</b></p> <p>* Pression d’alimentation maximale ne doivent pas dépasser 13”</p>		<table border="1"> <thead> <tr> <th>Pression</th> <th>Gaz Naturel (pouces)</th> <th>Gaz Naturel (millibars)</th> <th>Propane (pouces)</th> <th>Propane (millibars)</th> </tr> </thead> <tbody> <tr> <td><b>Inlet</b></td> <td>* 13” (MIN. 4.5”)</td> <td>17.4mb (MIN. 11.2mb)</td> <td>13” (MIN. 11”)</td> <td>32.4mb (MIN. 27.4mb)</td> </tr> <tr> <td><b>Outlet</b></td> <td>3.5”</td> <td>8.7mb</td> <td>10”</td> <td>24.9mb</td> </tr> </tbody> </table>	Pression	Gaz Naturel (pouces)	Gaz Naturel (millibars)	Propane (pouces)	Propane (millibars)	<b>Inlet</b>	* 13” (MIN. 4.5”)	17.4mb (MIN. 11.2mb)	13” (MIN. 11”)	32.4mb (MIN. 27.4mb)	<b>Outlet</b>	3.5”	8.7mb	10”	24.9mb
Pression	Gaz Naturel (pouces)	Gaz Naturel (millibars)	Propane (pouces)	Propane (millibars)													
<b>Inlet</b>	* 13” (MIN. 4.5”)	17.4mb (MIN. 11.2mb)	13” (MIN. 11”)	32.4mb (MIN. 27.4mb)													
<b>Outlet</b>	3.5”	8.7mb	10”	24.9mb													
	Le volet d’air est mal réglé	- Voir la section « réglage du venturi » pour le réglage de l’ouverture du volet d’air.															
Du carbone se dépose sur la vitre, les bûches, les roches, les composants décoratifs ou les parois de la chambre de combustion.	Le volet d’air est bloqué.	- Assurez-vous que l’ouverture du volet d’air n’est pas bloquée par des fibres ou autres obstructions.															
	La flamme effleure la vitre, les bûches, les roches, les composants décoratifs ou les parois de la chambre de combustion.	- Vérifiez si les composants décoratifs sont positionnés correctement. - Augmentez l’ouverture du volet d’air pour augmenter le volume d’air primaire. - Vérifiez le débit d’alimentation: vérifiez que la pression du collecteur et la grandeur de l’injecteur soient telles que spécifiées sur la plaque d’homologation. - Vérifiez si les joints d’étanchéité du porte ne sont pas brisés ni manquants et qu’ils sont étanches. - Vérifiez que les deux conduits d’évent ne soient pas troués et qu’ils soient bien scellés à tous les joints. - Vérifiez si l’élévation minimale par pied (mètre) est conforme pour toute évacuation horizontale.															

# guide de dépannage (millivolt - TDI3-1)

FR

Une pellicule blanche ou grise se forme.

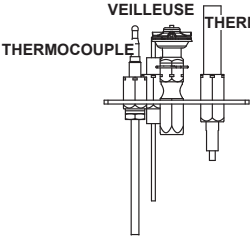
Le soufre du combustible se dépose sur la vitre, les bûches ou les parois de la chambre de combustion.

- Nettoyez la vitre avec un nettoyeur recommandé.
- **NE PAS NETTOYER LORSQU'ELLE EST CHAUDE.**
- Si vous ne nettoyez pas les dépôts régulièrement, la vitre risque de rester marquée en permanence.

On détecte l'odeur des gaz de combustion dans la pièce; maux de tête.

L'appareil refoule les gaz de combustion dans la pièce. (Ce n'est pas applicable dans les appareils d'extérieur).

- Vérifiez tous les joints scellés de la porte.
- Vérifiez si la cheminée ne serait pas bloquée.
- Vérifiez que les conduits d'évents sont installés correctement.
- La pièce est sous pression négative; augmentez l'apport d'air frais.

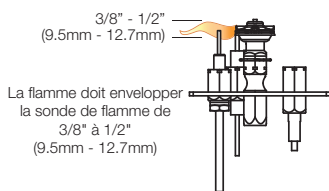
symptôme	problème	solutions
La veilleuse ne s'allume pas.	Aucune étincelle au brûleur de la veilleuse.	<ul style="list-style-type: none"> <li>- Vérifiez si la veilleuse peut être allumée avec une allumette.</li> <li>- Vérifiez si le fil est raccordé au bouton-poussoir d'ignition.</li> <li>- Vérifiez si le bouton-poussoir d'ignition doit être resserré.</li> <li>- Remplacez le fil si son isolant est brisé ou effiloché.</li> <li>- Remplacez l'électrode si l'isolateur de céramique est craque ou brisé.</li> <li>- Remplacez le bouton-poussoir d'ignition.</li> </ul>
	Plus de propane.	- Remplissez le réservoir.
	La longueur de l'étincelle est incorrecte.	- La longueur de l'étincelle devrait être de 0,150" (3,8mm) à 1,175" (4,5mm) entre la pointe de l'électrode et le brûleur de la veilleuse. Pour que l'électrode soit bien placée, serrez l'écrou avec les doigts et tournez 1/4 de tour de plus.
	Pas de gaz au brûleur de la veilleuse.	<ul style="list-style-type: none"> <li>- Vérifiez si la soupape manuelle est ouverte.</li> <li>- Vérifiez si l'injecteur de la veilleuse est bloqué.</li> <li>- Remplacez la soupape.</li> <li>- Contactez le fournisseur de gaz.</li> </ul>
<p>La veilleuse s'éteint quand le bouton du gaz est relâché. <b>La soupape de gaz a un dispositif d'enclenchement qui ne permet à la veilleuse de s'allumer que lorsque le thermocouple est refroidi. Attendez au moins 60 secondes pour permettre au thermocouple de se refroidir.</b></p>	Le système n'est pas purgé correctement.	- Purgez la conduite de gaz.
	Plus de propane.	- Remplissez le réservoir.
	La flamme de la veilleuse n'est pas assez puissante.	- Augmentez la flamme de la veilleuse.
	La flamme de la veilleuse n'enveloppe pas le thermocouple.	- Tournez légèrement la tête de la veilleuse pour améliorer la flamme autour du thermocouple.
	Le thermocouple cause un court-circuit/est défectueux.	<ul style="list-style-type: none"> <li>- Desserrez et resserrez le thermocouple.</li> <li>- Nettoyez le thermocouple et la connexion à la borne de la soupape.</li> <li>- Remplacez le thermocouple.</li> <li>- Remplacez la soupape.</li> </ul>
La soupape est défectueuse.	- Remplacez la soupape.	
<p>La veilleuse brûle; pas de gaz au brûleur principal; le bouton du gaz est à « HI »; l'interrupteur mural/thermostat est à « ON ».</p>	Le thermostat ou l'interrupteur sont défectueux.	- Reliez un fil de dérivation entre les bornes de l'interrupteur mural; si le brûleur principal s'allume, remplacez l'interrupteur/thermostat.
	Le raccordement de l'interrupteur murale est défectueux.	- Débranchez les fils de l'interrupteur et reliez un fil de dérivation entre les bornes 1 et 3; si le brûleur principal s'allume, vérifiez si les fils ne sont pas défectueux ou remplacez les fils.
	L'injecteur du brûleur principal est bloqué.	- Débloquez l'injecteur.
	La soupape est défectueuse.	- Remplacez la soupape.
<p>La veilleuse s'éteint alors qu'elle est en attente; le brûleur principal est à « OFF ».</p>	La conduite de gaz est trop petite.	<ul style="list-style-type: none"> <li>- Allumez tous les appareils au gaz et vérifiez si la flamme de la veilleuse vacille, diminue ou s'éteint, surtout quand le brûleur principal s'allume. Vérifiez la pression d'alimentation.</li> <li>- Vérifiez si la grosseur de la conduite d'alimentation est conforme aux codes. Remplacez toutes les conduites trop petites.</li> </ul>
	Les flammes sont très actives.	<p>La porte est ouverte.</p> <ul style="list-style-type: none"> <li>- Assurez-vous que la porte est bien fermée.</li> </ul> <p>Forte action de ventilation.</p> <ul style="list-style-type: none"> <li>- Assurez-vous que l'évacuation est adéquatement scellée.</li> <li>- Si la restriction est requis installée la plaque de restriction voir la section « PLAQUE DE RESTRICTIONS » .</li> </ul>
<p>Interrupteur mural est en position « OFF »; la brûleur s'allume lorsque le bouton d'allumage de gaz est tourné à la position « ON ».</p>	L'interrupteur mural est monté à l'envers.	- Inverse.
	Interrupteur mural est relié à la terre.	- Remplacez.
	Le fils de l'interrupteur mural est relié à la terre.	- Vérifier la masse (court) ; réparer ou remplacer les fils.
	La soupape est défectueuse.	- Remplacez.

## ! AVERTISSEMENT

- Allumez toujours la veilleuse, que ce soit pour la première fois ou lorsque l’approvisionnement en gaz est épuisé, avec la porte vitrée ouverte ou retirée.
- Coupez l’alimentation en gaz et l’alimentation électrique avant de procéder à l’entretien de l’appareil.
- L’appareil peut être chaud. N’effectuez aucun entretien jusqu’à ce que l’appareil soit refroidi.
- N’utilisez pas de nettoyeurs abrasifs

symptôme	problème	solution
La flamme du brûleur principal est bleue, paresseuse et transparente (Ce n’est pas applicable dans les appareils d’extérieur)	Système d’évacuation bloqué.  Installation incorrecte.	- Enlevez ce qui obstrue. Dans des conditions de froid extrême, une accumulation de glace peut se former sur la terminaison et devrait être enlevée lorsque nécessaire. (Pour minimiser les chances que cela survienne de nouveau, il est recommandé que les événements qui passent à travers des espaces non chauffés [greniers, garages, espaces réduits] soient recouverts d’un manchon isolant en mylar).  - Voir la section « évacuation » pour vérifier le bon emplacement des collets de solin.

Les flammes sont régulièrement trop grandes ou trop petites. Il se produit des dépôts de carbone.	La pression du gaz est trop faible ou trop forte.	- <b>Vérifiez la pression:</b> Pour vérifier la pression d’arrivée, tournez 2 ou 3 fois la vis (A) vers la gauche, puis emboîtez le tube du manomètre sur la pointe d’essai. Le manomètre doit indiquer la pression comme décrit sur le diagramme ci-dessous. Assurez-vous que le brûleur principal fonctionne à « HI ». La pression de sortie peut être vérifiée de la même façon en utilisant la vis (B). Le manomètre doit indiquer la pression comme décrit sur le diagramme ci-dessous. Assurez-vous que le brûleur principal fonctionne à « HI ». <b>Après avoir pris la lecture des pressions, assurez-vous de tourner fermement les vis vers la droite pour sceller. NE SERREZ PAS TROP FORT.</b> Vérifiez pour des fuites en appliquant une solution d’eau savonneuse.
---	---	---



Pression	Gaz Naturel (pouces)	Gaz Naturel (millibars)	Propane (pouces)	Propane (millibars)
<b>Arrivée</b>	*7" (minimum 4,5")	17,4mb (minimum 11,2mb)	13" (minimum 11")	32,4mb (minimum 27,4mb)
<b>Sortie</b>	3,5"	8,7mb	10"	24,9mb

**\*Pression d’alimentation maximale ne doivent pas dépasser 13”**

	Le volet d’air est réglé incorrectement.	- Voir la section « réglage du venturi » pour le réglage de l’ouverture du volet d’air dans le manuel d’installation.
Du carbone se dépose sur la vitre, les bûches, les roches, les composants décoratifs ou les parois de la chambre de combustion.	Le volet d’air est bloqué.  La flamme effleure la vitre, les bûches, les roches, les composants décoratifs ou les parois de la chambre de combustion.	- Assurez-vous que l’ouverture du volet d’air n’est pas bloquée par des fibres ou autres obstructions.  - Vérifiez si les composants décoratifs sont positionnés correctement. - Augmentez l’ouverture du volet d’air pour augmenter le volume d’air primaire. - Vérifiez le débit d’alimentation: vérifiez que la pression du collecteur et la grandeur de l’injecteur soient telles que spécifiées sur la plaque d’homologation. - Vérifiez si les joints d’étanchéité de la porte ne sont pas brisés ni manquants et qu’ils sont étanches. - Vérifiez que les deux conduits d’événement ne soient pas troués et qu’ils soient bien scellés à tous les joints. - Vérifiez si l’élévation minimale par pied (mètre) est conforme pour toute évacuation horizontale.
Une pellicule blanche ou grise se forme.	Le soufre du combustible se dépose sur la vitre, les bûches ou les parois de la chambre de combustion.	- Nettoyez la vitre avec un nettoyeur recommandé. <b>NETTOYER PAS LORSQU’ELLE EST CHAUDE.</b> - Si vous nettoyez pas les dépôts régulièrement, la vitre risque de rester marquée en permanence.
On détecte l’odeur de gaz de combustion dans la pièce, maux de tête.	L’appareil refoule les gaz de combustion dans la pièce. (Ce n’est pas applicable dans les appareils d’extérieur).	- Vérifiez tous les joints scellés de la porte. - Vérifiez si la cheminée ne serait pas bloquée. - Vérifiez que les conduits d’événement sont installés correctement. - La pièce est sous pression négative; augmentez l’apport d’air frais.



# guide de dépannage (électronique TDI3E-1/TDIG3-1/TDIX3-1)

FR

symptôme	problème	solution
La veilleuse ne s'allume pas. Il y a du bruit mais aucune étincelle au brûleur de la veilleuse.	Câblage: pénurie, connexion desserrée (rectification de la flamme pauvres).	<ul style="list-style-type: none"> <li>- Vérifiez qu'il n'y a pas de connexions desserrées du thermocouple ni sonde de flamme.</li> <li>- Vérifiez l'interrupteur de bloc n'est pas endommagée ou trop serré. Vérifiez si les connexions de l'assemblage de la veilleuse sont serrées; vérifiez aussi si ces connexions ne causent pas de mise à la terre au niveau du métal. (Souvenez-vous que la flamme transporte le courant redresseur et non le gaz. Si la flamme se détache de la hotte, le circuit est rompu. Un mauvais injecteur ou une pression d'arrivée trop élevée peut causer la flamme de la veilleuse à se détacher)*. La tige de la sonde a possiblement besoin d'être nettoyée.</li> </ul>
	Aucun signal du télécommande avec ignition du veilleuse.	<ul style="list-style-type: none"> <li>- Reprogrammer le code du récepteur.</li> <li>- Remplacer le récepteur.</li> </ul>
	Connexion desserrée.	<ul style="list-style-type: none"> <li>- Vérifiez qu'il n'y ait pas de connexions desserrées de courts-circuits dans le filage du soupape ni de l'assemblage de la veilleuse.</li> </ul>
	Filage d'interrupteur inapproprié.	<ul style="list-style-type: none"> <li>- Réparez le système avec un simple interrupteur <b>marche/arrêt</b>.</li> </ul>
	Composants de veilleuse sale, peint ou endommagée.	<ul style="list-style-type: none"> <li>- Nettoyez la tige de la sonde avec une toile d'émeri (Scotch-Brite™) afin d'enlever toute contamination qui ait pu s'accumuler sur la tige de la sonde. Vérifiez la continuité avec un multimètre réglé sur Ohms au calibre le plus bas.</li> </ul>
Étincelle à la veilleuse mais celle-ci ne s'allume pas.	Alimentation en gaz.	<ul style="list-style-type: none"> <li>- Vérifiez si la soupape à bille du conduite d'arrivée du gaz est « ouverte ».</li> <li>- Vérifiez si la pression d'arrivée est dans les limites acceptables. La pression d'arrivée ne doit pas excéder 13" de colonne d'eau (32,4mb).</li> </ul>
	Plus de propane.	<ul style="list-style-type: none"> <li>- Remplissez le réservoir.</li> </ul>
	La ligne d'alimentation de la veilleuse peut contenir l'air.	<ul style="list-style-type: none"> <li>- Répétez le processus d'étincelles plusieurs fois ou purger la conduite d'alimentation de la veilleuse.</li> </ul>
	Le module n'est pas mis à la terre.	<ul style="list-style-type: none"> <li>- Assurez le bon polarité du thermocouple (si fourni).</li> <li>- Vérifiez si les assemblages de la veilleuse et de la soupape sont bien mis à la terre.</li> </ul>
	Récepteur (si équipé).	<ul style="list-style-type: none"> <li>- Réinitialisez le programme: tenir le bouton de réinitialiser sur le récepteur attendre pour 2 bips. Relâcher le bouton après la deuxième bip. Pendant 20 secondes, appuyez sur le bouton de la télécommande accompagné d'une petite flamme, vous entendrez une bip additionnelle (cela confirmant que le code est réglé).</li> <li>- Remplacez le récepteur.</li> </ul>
	Soupape.	<ul style="list-style-type: none"> <li>- Vérifiez le soupape et remplacer si nécessaire (attention à ne pas trop serrer le thermocouple).</li> </ul>
Continue de produire des étincelles et la veilleuse s'allume mais le brûleur principal ne s'allume pas.	Court-circuit ou connexion desserrée dans la tige de la sonde.	<ul style="list-style-type: none"> <li>- Vérifiez toutes connexions. Vérifiez si les connexions de l'assemblage de la veilleuse sont serrées; vérifiez aussi si ces connexions ne causent pas de mise à la terre au niveau du métal.</li> </ul>
	Composants de veilleuse sale, peint ou endommagée.	<ul style="list-style-type: none"> <li>- Nettoyez la tige de la sonde avec une toile d'émeri (Scotch-Brite™) afin d'enlever toute contamination qui ait pu s'accumuler sur la tige de la sonde. Vérifiez la continuité avec un multimètre réglé sur Ohms au calibre le plus bas.</li> </ul>
Interrupteur mural est en position « off »; la brûleur s'allume.	L'interrupteur mural est monté à l'envers.	<ul style="list-style-type: none"> <li>- Inverse.</li> </ul>
	Interrupteur mural et/ou le fil est relié à la terre.	<ul style="list-style-type: none"> <li>- Remplacer.</li> <li>- Vérifier la masse (court); réparer ou remplacer les fils.</li> </ul>
	Câble défectueux.	<ul style="list-style-type: none"> <li>- Remplacer.</li> </ul>
Le télécommande ne fonctionne pas correctement.	La télécommande s'allume mais aucune étincelle ou flamme. (La télécommande est verrouillé).	<ul style="list-style-type: none"> <li>- Réinitialiser en tournant l'alimentation « off » puis « on ».</li> </ul> <div style="border: 1px solid black; padding: 5px; margin-top: 10px;"> <p><b>note:</b> Si les piles de sauvegarde sont installés, ils doivent être enlevées pour programmer le télécommande.</p> </div>

# guide de dépannage (électronique TDI3E-1/TDIG3-1/TDIX3-1)

FR

symptôme	problème	solution
	Les piles du récepteur ou télécommande sont faibles.	- Remplacez les piles.
	Erreur de synchronisation.	- Réinitialiser le télécommande et le récepteur.
	Le télécommande est trop loin du récepteur.	- Voir la section « schéma de câblage ».
	Les broches de connecteur de fils sont courbées.	- Redresser les fils.
	Câblage de la soupape est endommagée	- Remplacez la soupape.
Moteur tourne, les bips fréquent se produit.	Les piles du récepteur sont faibles.	- Remplacez les piles.
Les flammes sont très actives.	La porte est ouvert.	- Assurez-vous que la porte est bien fermée.
	Forte action de ventilation.	- Assurez-vous que l'évacuation est adéquatement scellée ou étranglez la sortie de l'évacuation avec la plaque de restriction. (La plaque de restriction n'est pas disponible pour toutes modèles).
L'appareil n'effectue aucune fonction.	Pas de puissance au système.	- Vérifiez que le disjoncteur est dans la position « <b>on</b> » position.
	L'interrupteur du récepteur est à la mauvaise position (si équipé).	- Vérifiez que le récepteur est dans la position « milieu ».
	La télécommande ne fonctionne pas.	- Vérifiez les pile ainsi que leur orientation.

## Le guide suivant est pour le système de SIT seulement:

La veilleuse ne s'allume pas. Aucun bruit et aucune étincelle au brûleur de la veilleuse. (Les lumières et la soufflerie fonctionnent, si équipé).	La boîte d'allumage a été verrouillée.	<p>Choisissez l'une des trois méthodes suivantes pour réinitialiser le système:</p> <ol style="list-style-type: none"> <li>1. Pour réinitialiser la boîte d'allumage lorsqu'elle a été verrouillée, coupez l'alimentation électrique et retirez les piles (s'il y a lieu) du récepteur.</li> <li>2. Pour réinitialiser le tableau DFC lorsque celui-ci se trouve en mode verrouillé et que la DEL se clignote trois fois à l'aide du bouton <b>marche/arrêt</b> de l'émetteur: <ul style="list-style-type: none"> <li><b>Étape 1:</b> Éteignez le système en appuyant sur le bouton <b>marche/arrêt</b>.</li> <li><b>Étape 2:</b> Après environ 2 secondes, appuyez de nouveau sur le bouton <b>marche/arrêt</b> de la télécommande. Le tableau se réinitialisera et la séquence d'allumage s'enclenchera de nouveau.</li> </ul> </li> <li>3. Pour réinitialiser le tableau lorsque celui-ci se trouve en mode verrouillé et que la DEL clignote trois fois à l'aide du cycle de flamme: <ul style="list-style-type: none"> <li><b>Étape 1:</b> En mode de contrôle manuel de la flamme, utilisez la flèche vers le bas pour éteindre la flamme, une situation indiquée par le mot « <b>off</b> » affiché à l'écran de la télécommande.</li> <li><b>Étape 2:</b> Attendez environ 2 secondes et appuyez sur la flèche vers le haut; la séquence d'allumage se déclenchera.</li> </ul> </li> </ol>
--	--	---

### note:

En position « **off** », appuyez sur le bouton « **on** » de la télécommande. Environ 4 secondes après que le bouton « **on/off** » ait été enfoncé, le tableau d'allumage commencera à produire des étincelles. Au premier essai, le tableau d'allumage formera des étincelles pendant 60 secondes. S'il n'y a pas de correction de flamme, le tableau cessera de former des étincelles et le tableau se verrouillera.

Les produits Timberwolf® sont fabriqués conformément aux normes strictes du Système de Gestion de la Qualité mondialement reconnu ISO 9001 : 2015.

Les produits Timberwolf® sont conçus avec des composants et des matériaux de qualité supérieure, assemblés par des artisans qualifiés qui sont fiers de leur travail. Le brûleur et le montage de la soupape subissent un test de détection de fuite et d'allumage à une station de test de qualité. Une fois assemblé, chaque foyer est soigneusement inspecté par un technicien qualifié avant d'être emballé pour garantir que vous, le client, recevez le produit de qualité dont vous vous attendez de Timberwolf®.

## Garantie Limitée des Appareils au Gaz Timberwolf®

Les matériaux suivants et la fabrication de votre nouveau foyer au gaz Timberwolf® sont garantis contre les défauts une période de 5 ans, ceci couvre: la chambre de combustion, l'échangeur de chaleur, le brûleur en acier / inoxydable, les bûches Phazer™ et les braises, les roches, la vitre en céramique (cassure thermique seulement), les pièces plaquées or contre le ternissement, les composants en porcelaine émaillée et les mouleurs d'extrusion en aluminium.\*

Les composants électriques (110V et millivolt) et les pièces soumises à l'usure sont couverts et Timberwolf® fournira gratuitement les pièces de rechange durant la première année de la garantie limitée. Ceci couvre: la soufflerie, les soupapes de gaz, l'interrupteur thermique, les interrupteurs, l'installation électrique, les télécommandes, l'allumeur, les joints d'étanchéité et l'assemblage de la veilleuse.\*

Les coûts de main-d'oeuvre relatifs aux réparations garanties ne sont pas couverts.

\* La fabrication de chaque modèle varie. La garantie s'applique uniquement aux composants disponibles avec votre appareil.

## Conditions et Limitations

Timberwolf® garantit ses produits contre les défauts de fabrication à l'acheteur d'origine seulement. L'enregistrement de la garantie n'est pas nécessaire. Fournissez simplement une preuve d'achat ainsi que le modèle et le numéro de série afin d'effectuer une réclamation de garantie. Timberwolf® se réserve le droit de demander à son représentant d'inspecter tous produits ou pièces avant d'honorer toute réclamation. L'achat doit avoir été fait par l'entremise d'un détaillant Timberwolf® autorisé et sous réserve des conditions et limitations suivantes :

La couverture de la garantie débute à partir de la date d'installation originale.

Cette garantie du fabricant n'est pas transférable et ne peut être prolongée par aucun de nos représentants.

L'appareil au gaz doit être installé par un installateur ou entrepreneur qualifié. L'installation doit être faite conformément aux instructions d'installation incluses avec le produit et à tous les codes d'incendie et de construction locaux et nationaux.

Cette garantie limitée ne couvre pas les dommages causés par un mauvais usage, un manque d'entretien, un accident, des altérations, des abus ou de la négligence et l'installation de pièces d'autres fabricants annulera cette garantie.

Cette garantie limitée ne couvre pas non plus les égratignures, les bossellements, la corrosion ou la décoloration causés par une chaleur excessive, des produits d'entretien chimiques et abrasifs ou l'écaillage des pièces en porcelaine émaillée, le bris par manipulation des bûches Phazer™ et des braises.

Au cours de la première année seulement, cette garantie s'applique à la réparation ou au remplacement des pièces garanties dont les matériaux ou la fabrication sont défectueux à la condition que le produit ait été utilisé conformément aux instructions de fonctionnement et dans des conditions normales.

Après la première année, concernant cette Garantie Limitée, Timberwolf® peut, à sa discrétion, se libérer entièrement de toutes obligations en ce qui concerne cette garantie en remboursant à l'acheteur d'origine le prix de gros de toute pièce garantie qui est défectueuse.

Timberwolf® ne sera pas responsable de l'installation, de la main-d'oeuvre ou autres dépenses relatives à la réinstallation d'une pièce garantie et de telles dépenses ne sont pas couvertes par cette garantie.

Nonobstant toutes les dispositions contenues dans cette Garantie Limitée, la responsabilité de Timberwolf® sous cette garantie est définie comme ci-dessus et elle ne s'appliquera à aucun dommage accidentel, consécutif ou indirect.

Cette garantie définit l'obligation et la responsabilité de Timberwolf® en ce qui concerne le foyer au gaz Timberwolf®. Toute autre garantie énoncée ou implicite en ce qui concerne ce produit, ses composants ou accessoires est exclue.

Timberwolf® n'endosse ni n'autorise aucun tiers à assumer en son nom, toute autre responsabilité concernant la vente de ce produit. Timberwolf® ne sera pas responsable d'une surchauffe, des refoulements, des déversements causés par des conditions environnementales telles que des toits, des bâtiments, la proximité d'arbres, de collines, de montagnes, une ventilation ou des événements inadéquats, une configuration d'évacuation excessive, un apport d'air insuffisant ou des pressions négatives qui peuvent ou non être causés par des systèmes mécaniques tels que les ventilateurs d'évacuation, les fournaies, les sècheuses de linge, etc.

Tous dommages causés à l'appareil, à la chambre de combustion, à l'échangeur de chaleur, aux garnitures de laiton ou autres composants par l'eau, les dommages causés par les intempéries, de longues périodes d'humidité, la condensation, des produits chimiques ou produits d'entretien nuisibles ne seront pas la responsabilité de Timberwolf®.

Toutes les pièces remplacées en vertu de la politique de Garantie Limitée ne peuvent faire l'objet que d'une seule réclamation.

Toutes les pièces remplacées au titre de la garantie seront couvertes pour une période de 90 jours à partir de leur date d'installation.

Le fabricant peut exiger que les pièces défectueuses ou les produits soient retournés ou que des photos numériques soient fournies pour valider la réclamation. Les produits retournés doivent être expédiés port payé au fabricant pour une inspection en usine. Si un produit est déclaré défectueux, le fabricant le réparera ou le remplacera.

Avant d'expédier votre appareil ou les pièces défectueuses, votre détaillant doit obtenir un numéro d'autorisation. Toute marchandise expédiée à notre usine sans autorisation sera refusée et retournée à l'expéditeur.

Les coûts d'expédition ne sont pas couverts par cette garantie.

Des frais de service supplémentaires peuvent être appliqués si vous cherchez à obtenir des services au titre de la garantie auprès d'un détaillant.

Les frais de déplacement pour main-d'oeuvre, de tests de diagnostic, d'expédition et autres frais afférents ne sont pas couverts par cette garantie.

Toutes les spécifications et les conceptions sont sujettes à modifications sans préavis en raison des améliorations constantes apportées aux produits.

Timberwolf® est une marque de commerce déposée de Wolf Steel Ltée.



**TIMBERWOLF**

Produits et distribués par:

**WOLF STEEL** LTD.

24 Napoleon Road, Barrie, Ontario, Canada L4M 0G8  
Tél: 1-866-820-8686

[timberwolffireplaces.com](http://timberwolffireplaces.com)