



Gas Fireplaces

The Sierra Flame Advantage

Quality workmanship

All Sierra Flame units are manufactured with the highest quality parts available, from the smallest component to the 18-20 gauge body and stainless steel burners. Our pan burners are warranted for the life of the fireplace.

Our units are designed for ease of installation and servicing and our focus is on keeping the styles fresh and current. As well, our realistic and exceptionally large flame is a noticeable feature that sets us apart from the competition.

It's in the Box!

Our standard units include upgrades that would be costly add-ons with other suppliers like the remote control, quality fire glass media and decorative rock set. We offer to you a finely tuned selection of units -- focusing on quality not quantity and hope that you choose a Sierra Flame fireplace to enjoy for years to come!



The Palisade

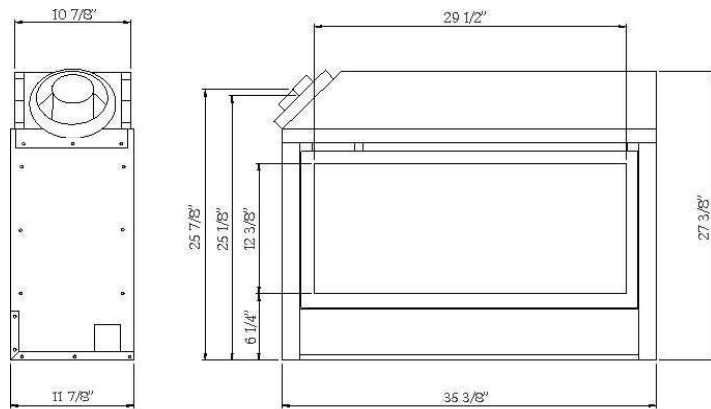
See-Thru Direct Vent Linear

The Palisade 3655

Natural Gas or Liquid Propane



It's all in the box!



FIREPLACE FEATURES

Standard System - PALISADE-36

- True clean face design
- Tempered glass
- 20,000 BTU
- 100% Safety shut off
- Side vent only
- Electronic ignition
- Remote Control (basic)
- Black porcelain panels
- Media included: Black reflective fire glass & 3 piece decorative rock set



Deluxe System - PALISADE-36-DELUXE

- True clean face design
- Tempered glass
- 20,000 BTU
- 100% Safety shut off
- Side vent only
- Electronic ignition
- Remote Control (Deluxe)
- Black porcelain panels
- Media included: Black reflective fire glass & 3 piece decorative rock set
- **Deluxe digital remote control**
- **Fan kit**
- **Modulating valve**



Turn down, Venting, Valves & Ceiling/Mantle Height

Turn down

The Stanford	36,000 BTU's maximum down to 21,250 BTU's minimum
The Newcomb	21,000 BTU's maximum down to 13,000 BTU's minimum
The Palisade	20,000 BTU's maximum down to 13,000 BTU's minimum
The Abbot	26,000 BTU's maximum down to 10,500 BTU's minimum
The Bennett	30,000 BTU's maximum down to 22,000 BTU's minimum
The Langley	15,500 BTU's maximum down to 11,000 BTU's minimum
The Tahoe	40,500 BTU's maximum down to 29,000 BTU's minimum
The Bradley	19,000 BTU's maximum down to 13,500 BTU's minimum

Valves

American Flame & Skytech EL System

Venting – *any certified 2 ply flex piping can be used or Duravent, Selkirk, Metal Fab, ICC*

The Stanford	4" flex vent on exhaust side 7" flex vent on the air intake side
The Newcomb	4" flex vent on exhaust side 7" flex vent on the air intake side
The Palisade	4" flex vent on exhaust side 7" flex vent on the air intake side
The Abbot	3" flex vent on exhaust side 3" flex vent on the air intake side
The Bennett	4" flex vent on exhaust side 7" flex vent on the air intake side
The Langley	3" flex vent on exhaust side 6" flex vent on the air intake side
The Tahoe	No venting required
The Bradley	3" flex vent on exhaust side 5" flex vent on the air intake side

Ceiling / Mantle Height

AFUE & P.4 efficiencies - NG

The Stanford	Internal ceiling = minimum 58" Mantle height = minimum 45"
The Newcomb	Internal ceiling = minimum 48" Mantle Height = minimum 40"
The Palisade	Internal ceiling = minimum 40" Mantle Height = minimum 40"
The Abbot	Mantle Height = minimum 33" with a 4" deep mantle Please see manual for other mantle clearances
The Bennett	Internal ceiling = 58" Mantle Height = minimum 42"
The Langley	Internal ceiling = 38"
The Tahoe	Internal ceiling = minimum 48" Mantle Height = minimum 42"
The Bradley	Internal Ceiling = 40" from top of unit Mantle Height = 42"

The Stanford	68.75%
The Newcomb	65.1%
The Palisade	63.45%
The Abbot	68.3%
The Bennett	69.5%
The Langley	61.91%
The Tahoe	N/A
The Bradley	64.13%

Venting Configurations

