



Gas Fireplaces

The Sierra Flame Advantage

Quality workmanship

All Sierra Flame units are manufactured with the highest quality parts available, from the smallest component to the 18-20 gauge body and stainless steel burners. Our pan burners are warranted for the life of the fireplace.

Our units are designed for ease of installation and servicing and our focus is on keeping the styles fresh and current. As well, our realistic and exceptionally large flame is a noticeable feature that sets us apart from the competition.

It's in the Box!

Our standard units include upgrades that would be costly add-ons with other suppliers like the remote control, quality fire glass media and decorative rock set. We offer to you a finely tuned selection of units -- focusing on quality not quantity and hope that you choose a Sierra Flame fireplace to enjoy for years to come!

The Bennett



Direct Vent Linear

The Bennett 45l

Natural Gas or Liquid Propane



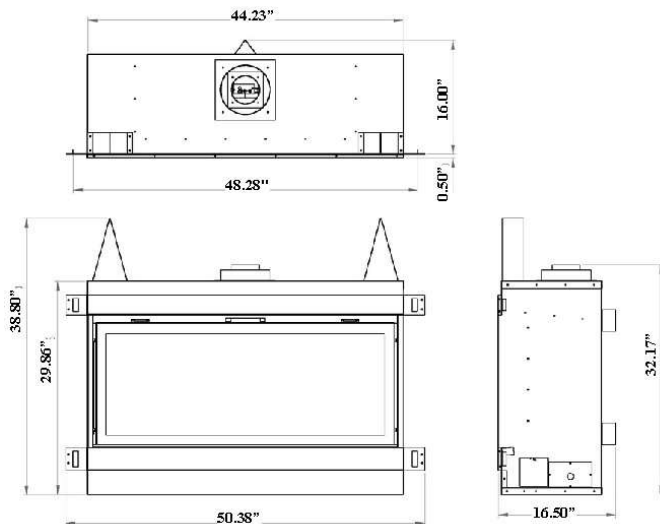
It's all in the box!



Deluxe System - BENNETT-45-NG BENNETT-45-LP

- 55" Linear gas Fireplace
- Ceramic glass
- 30,000 BTU
- 100% Safety shut off
- Top vent only
- Electronic ignition
- Remote Control (Deluxe)
- Black porcelain panels
- Media included: Black reflective fire glass & 9 piece decorative rock set
- **Deluxe digital thermostat remote control**
- **Dual Fan kit**
- **7 Stage modulating valve**

A surround with safety barrier is mandatory for this model.



Turn down, Venting, Valves & Ceiling/Mantle Height

Turn down

| | |
|--------------|---|
| The Stanford | 36,000 BTU's maximum down to 21,250 BTU's minimum |
| The Newcomb | 21,000 BTU's maximum down to 13,000 BTU's minimum |
| The Palisade | 20,000 BTU's maximum down to 13,000 BTU's minimum |
| The Abbot | 26,000 BTU's maximum down to 10,500 BTU's minimum |
| The Bennett | 30,000 BTU's maximum down to 22,000 BTU's minimum |
| The Langley | 15,500 BTU's maximum down to 11,000 BTU's minimum |
| The Tahoe | 40,500 BTU's maximum down to 29,000 BTU's minimum |
| The Bradley | 19,000 BTU's maximum down to 13,500 BTU's minimum |

Valves

American Flame & Skytech EL System

Venting – *any certified 2 ply flex piping can be used or Duravent, Selkirk, Metal Fab, ICC*

| | |
|--------------|--|
| The Stanford | 4" flex vent on exhaust side 7" flex vent on the air intake side |
| The Newcomb | 4" flex vent on exhaust side 7" flex vent on the air intake side |
| The Palisade | 4" flex vent on exhaust side 7" flex vent on the air intake side |
| The Abbot | 3" flex vent on exhaust side 3" flex vent on the air intake side |
| The Bennett | 4" flex vent on exhaust side 7" flex vent on the air intake side |
| The Langley | 3" flex vent on exhaust side 6" flex vent on the air intake side |
| The Tahoe | No venting required |
| The Bradley | 3" flex vent on exhaust side 5" flex vent on the air intake side |

Ceiling / Mantle Height

AFUE & P.4 efficiencies - NG

| | |
|--------------|--|
| The Stanford | Internal ceiling = minimum 58" Mantle height = minimum 45" |
| The Newcomb | Internal ceiling = minimum 48" Mantle Height = minimum 40" |
| The Palisade | Internal ceiling = minimum 40" Mantle Height = minimum 40" |
| The Abbot | Mantle Height = minimum 33" with a 4" deep mantle Please see manual for other mantle clearances |
| The Bennett | Internal ceiling = 58" Mantle Height = minimum 42" |
| The Langley | Internal ceiling = 38" |
| The Tahoe | Internal ceiling = minimum 48" Mantle Height = minimum 42" |
| The Bradley | Internal Ceiling = 40" from top of unit Mantle Height = 42" |

| | |
|--------------|--------|
| The Stanford | 68.75% |
| The Newcomb | 65.1% |
| The Palisade | 63.45% |
| The Abbot | 68.3% |
| The Bennett | 69.5% |
| The Langley | 61.91% |
| The Tahoe | N/A |
| The Bradley | 64.13% |

Venting Configurations

