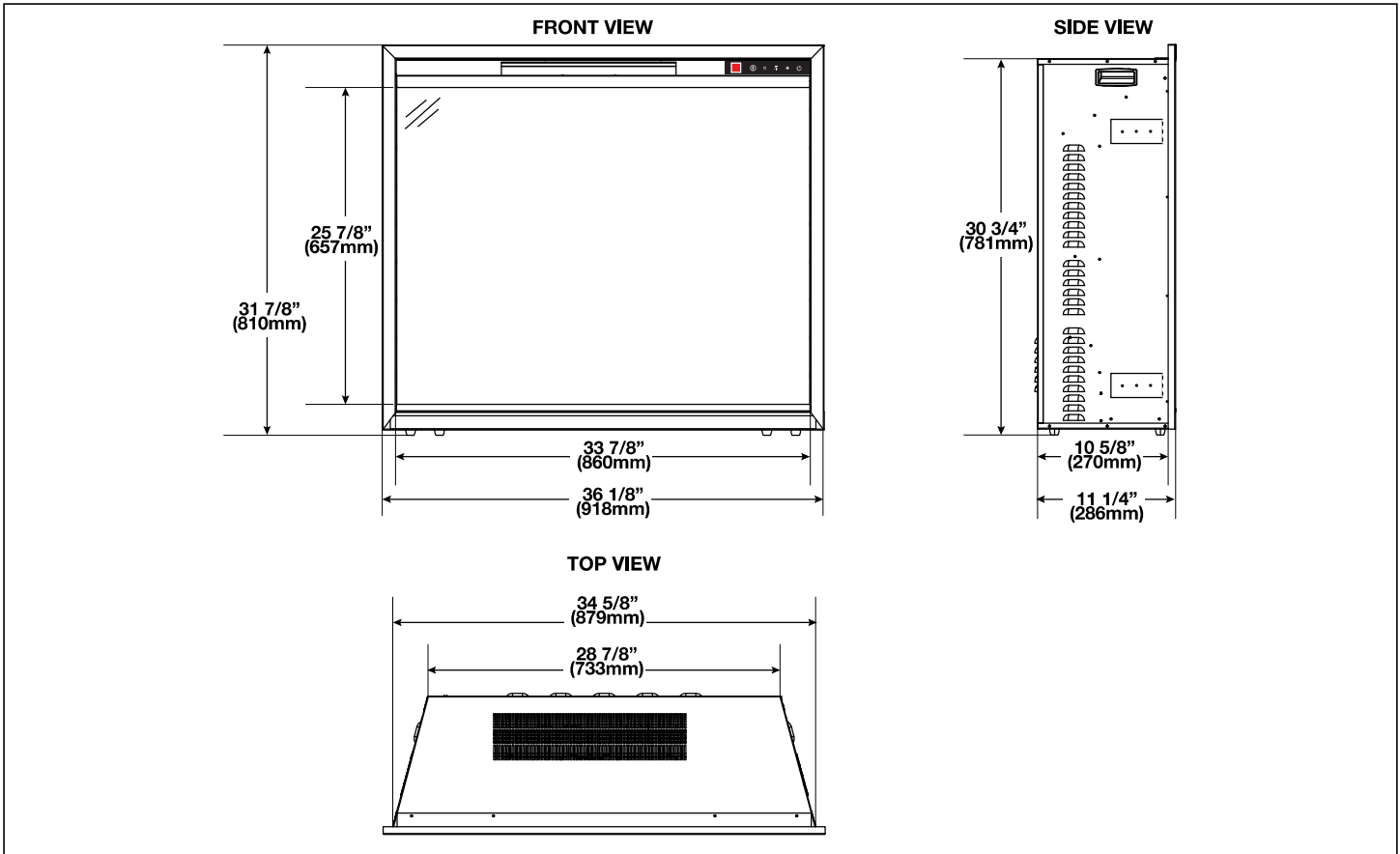


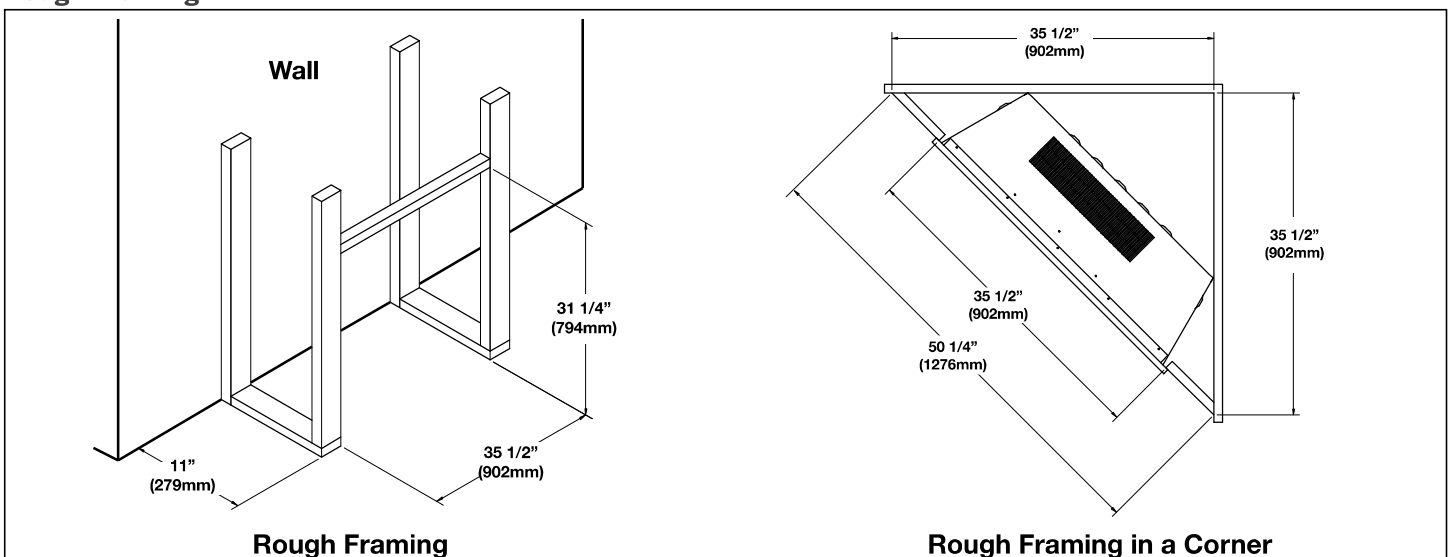
Specifications

Model	BTU	Width		Height		Depth		Viewing Area
		Actual	Framing	Actual	Framing	Actual	Framing	
NEFB36H-BS	5,000 / 10,000	36 1/8	35 1/2	31 7/8	31 1/4	11 1/4	11	33 7/8 x 25 7/8

Dimensions



Rough Framing



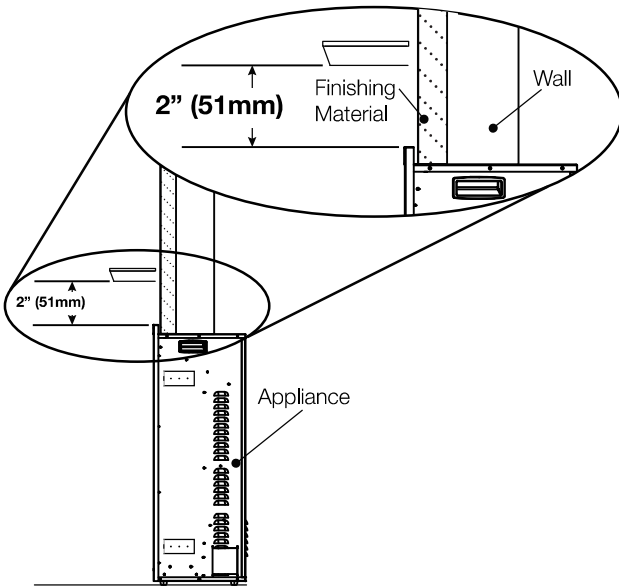
Product information provided is not complete and is subject to change without notice. Please consult the installation manual for the most up to date installation information.

W415-2751 / B / 03.16.23

Minimum Mantel Clearances

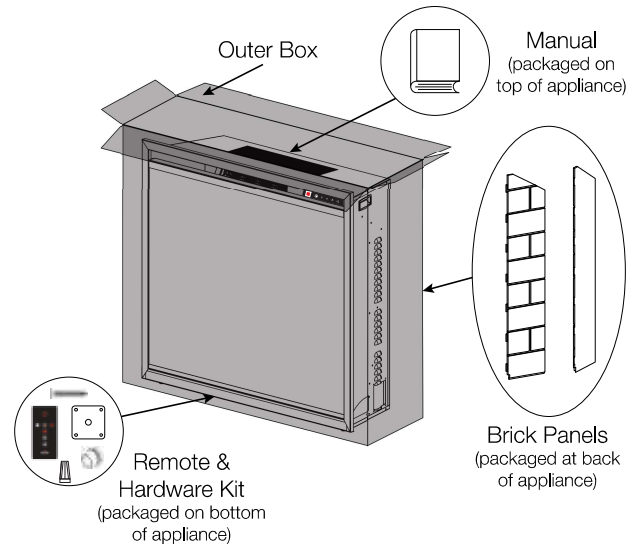
⚠ WARNING

- When using paint or lacquer to finish the mantel, the paint or lacquer must be heat resistant to prevent discolouration.



Unpacking & Testing Appliance

Carefully remove the appliance from the box. Prior to installing the appliance, remove all packaging material and test to make sure the appliance operates properly by plugging the power supply cord into a conveniently located 120V, 15 Amp minimum grounded outlet.



Optional Trim Kit (NEFB36H-BS-TRIM)

