

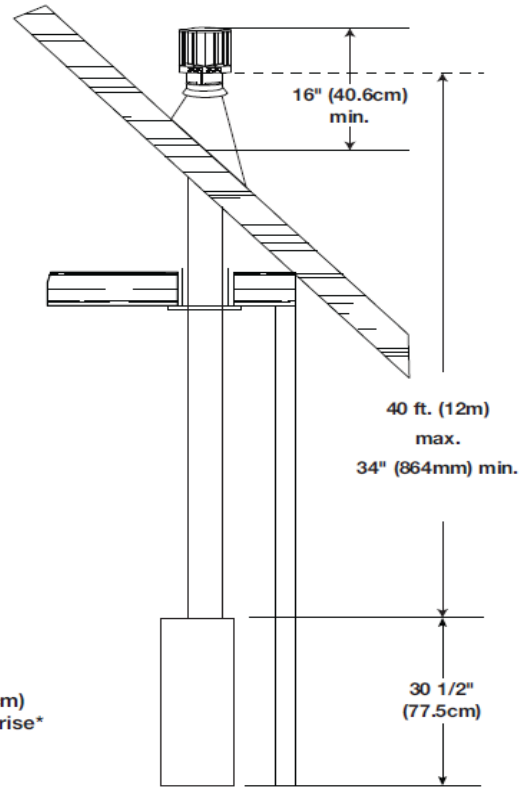
# TDS60N Direct Vent Gas Stove

## FEATURES

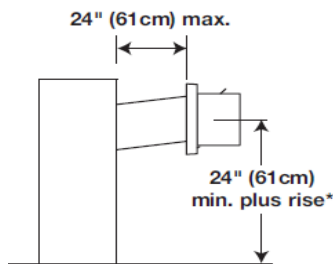
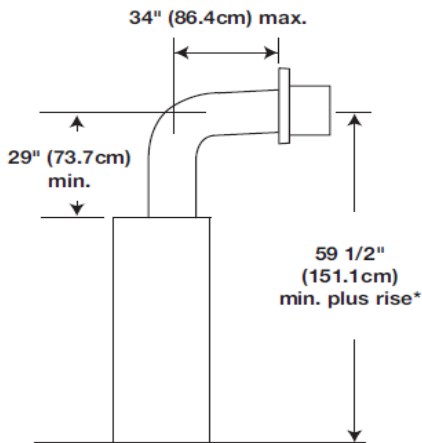
FUEL TYPE	Natural Gas
BLOWER	Optional
GAS VALVE TYPE	Millivolt
LP COVERSION KIT	Yes
GLASS / VIEWING HEIGHT (IN)	18 3/4"
GLASS / VIEWING WIDTH (IN)	21"
TOTAL MAX (BTU) NG	35,000
TOTAL MAX (BTU) LP	31,500
REAR VENT	21,000
WARRANTY	President Limited Lifetime
FLUE SIZE	4" x 7"
GLASS TYPE	Ceramic

## EXTERIOR DIMENSIONS AND WEIGHT

WIDTH	27"
DEPTH	19 1/2"
HEIGHT	30 1/2"
WEIGHT	236. lb.

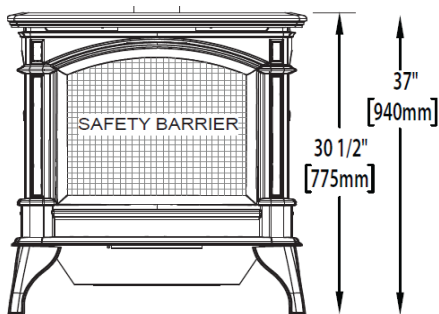


## Typical Venting

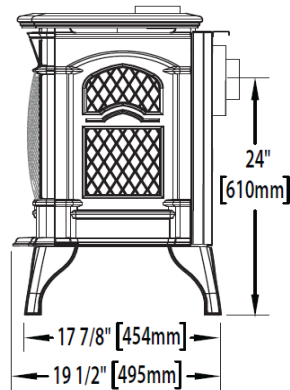


## Unit Dimensions

Front View



Right Side View



Top View

