



Double (DL) and Single Wall (SW)
Stove Pipes



SECURITY CHIMNEYS
INTERNATIONAL™

Secure Black™ Single Wall (SW)
Double Wall (DL)

Secure Black™ Double Wall (DL) Stove Pipe

The Secure Black™ double wall (DL) stove pipe from Security Chimneys International is tested to 2100°F and listed as 6" clearance from combustible materials for all types of wood-burning stoves. The double wall black stove connector features a series of openings, allowing for maximum recovery of heat from flue gases.



A tradition of excellence

For over 50 years, Security Chimneys International has been an innovator in the venting field and a market leader in North America. Instrumental in the company's growth has been an ongoing focus on product improvement and the introduction of new, innovative products. The proven Secure Black double wall pipe is just one example of this commitment to engineering solutions that outperform.

Safe, durable and efficient

With the Secure Black™ double wall (DL) pipe, Security Chimneys International has designed a product that has been successfully tested to 2100°F at a 6-inch clearance from combustible materials. This level of safety delivers the peace of mind your customers demand.

The inner liner is made of corrosion-resistant stainless steel, helping the DL deliver better protection of the exterior finish. And the outer wall features a series of openings that allow for maximum recovery of heat from the flue gases. In fact, it is as efficient as a single wall black pipe.

Designed for installation ease

The Security DL double wall black stove pipe can be safely installed as close as 6 inches to combustible materials, providing greater installation flexibility. Furthermore, it may be used with all types of stoves and is available in diameters of 6, 7 and 8 inches.

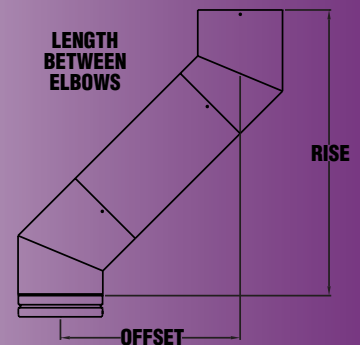
To simplify installation, Security Chimneys International has designed a telescopic double wall black pipe, which extends from 3-1/2 feet to 5-1/2 feet. There is no need to determine the number of lengths required and no need for cutting—it will adjust to your application.

Long-lasting assurance

Security Chimneys International Ltd. warrants a limited lifetime warranty for its double wall black stove pipe.

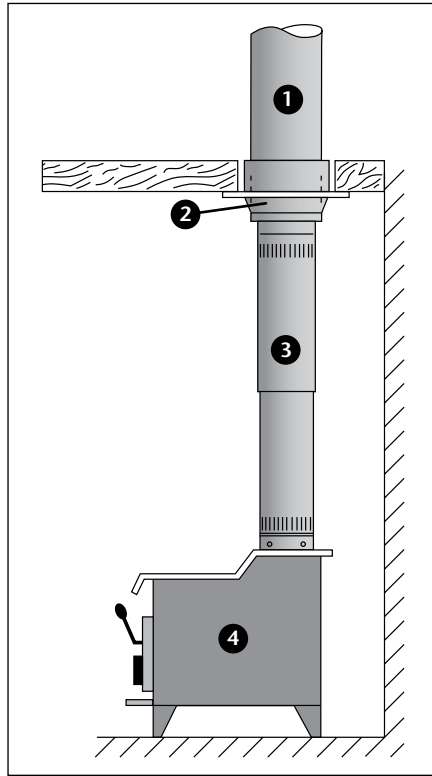
Feature	Benefit
Exclusive Twist-Lock Assembly	<ul style="list-style-type: none"> No screws or other attachments required Fast and easy installation with 1/8-inch turn
Stainless Steel Inner Lining	<ul style="list-style-type: none"> Low reaction to heat Thin inner lining for immediate heating Provides smoother surface Little restriction of flue gases even with a 45° elbow Resists outstanding corrosion
Outer Wall with Series of Openings	<ul style="list-style-type: none"> Allows for maximum recovery of heat from the flue gases Supports the structural load Provides low surface temperature
Telescopic Design Extends from 3-1/2 feet to 5-1/2 feet	<ul style="list-style-type: none"> Adjusts to the application No need to predetermine lengths No need for cutting Saves time and material costs
Limited Lifetime Warranty	<ul style="list-style-type: none"> Assures product confidence and peace of mind

DL Offset/Rise Chart (45 Deg.)						
		Length between elbows				
		None	6"	12"	24"	36"
6	Offset	2-1/4	5-1/4	9-1/2	18	26-1/2
	Rise	11-3/4	14-1/4	18-1/2	27	35-1/2
7	Offset	3	6	10-1/4	18-3/4	27-1/4
	Rise	12	15	19-1/4	27-3/4	36-1/4
8	Offset	3-1/4	6-1/4	10-1/2	19	27-1/2
	Rise	13-1/2	16-1/2	20-3/4	29-1/4	37-3/4



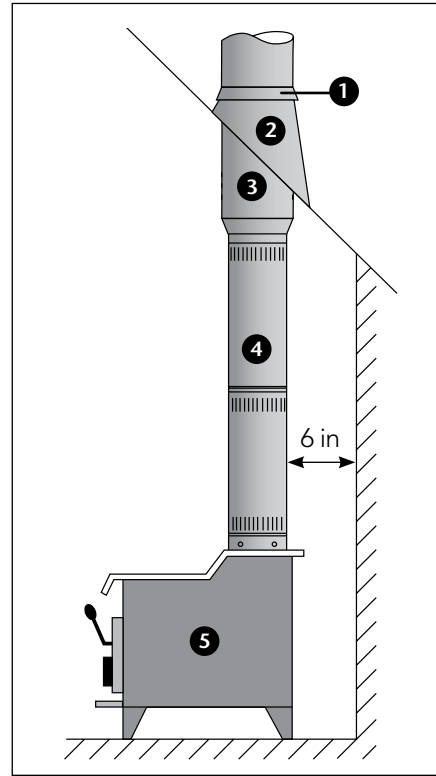
DL Installation

DL – Straight installation



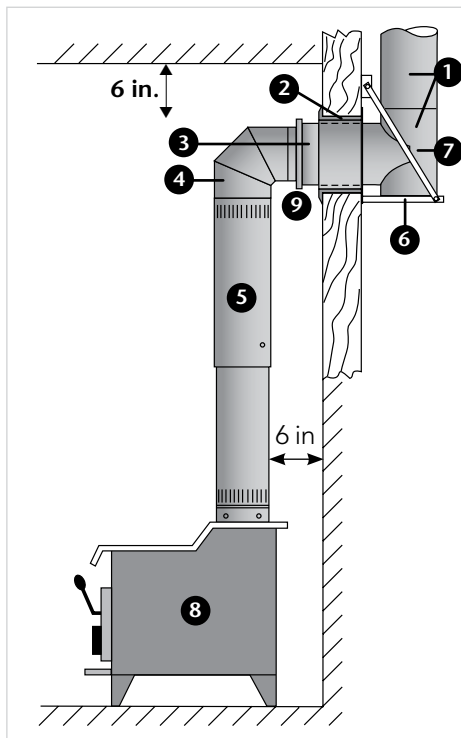
- | | |
|----------------------|----------------------|
| 1. Insulated chimney | 3. Telescopic length |
| 2. Finish support | 4. Appliance |

DL – Cathedral ceiling installation



- | | |
|----------------------|----------------------------------|
| 1. Storm collar | 4. Double wall black pipe length |
| 2. Roof flashing | 5. Appliance |
| 3. Cathedral support | |

DL – Through-the-wall installation



- | |
|-------------------------------------|
| 1. Insulated chimney |
| 2. Wall thimble |
| 3. Decorative collar |
| 4. Elbow |
| 5. Telescopic length |
| 6. Wall support |
| 7. Insulated tee |
| 8. Appliance |
| 9. Insulated chimney flue extension |

DL Lengths

Double Wall Lengths

A	B*	Product Code
6	4-1/8	6DL6
6	10-1/8	6DL12
6	22-1/8	6DL24
6	34-1/8	6DL36
7	4-1/8	7DL6
7	10-1/8	7DL12
7	22-1/8	7DL24
7	34-1/8	7DL36
8	4-1/8	8DL6
8	10-1/8	8DL12
8	22-1/8	8DL24
8	34-1/8	8DL36

*Effective length

Double Wall Telescopic Lengths

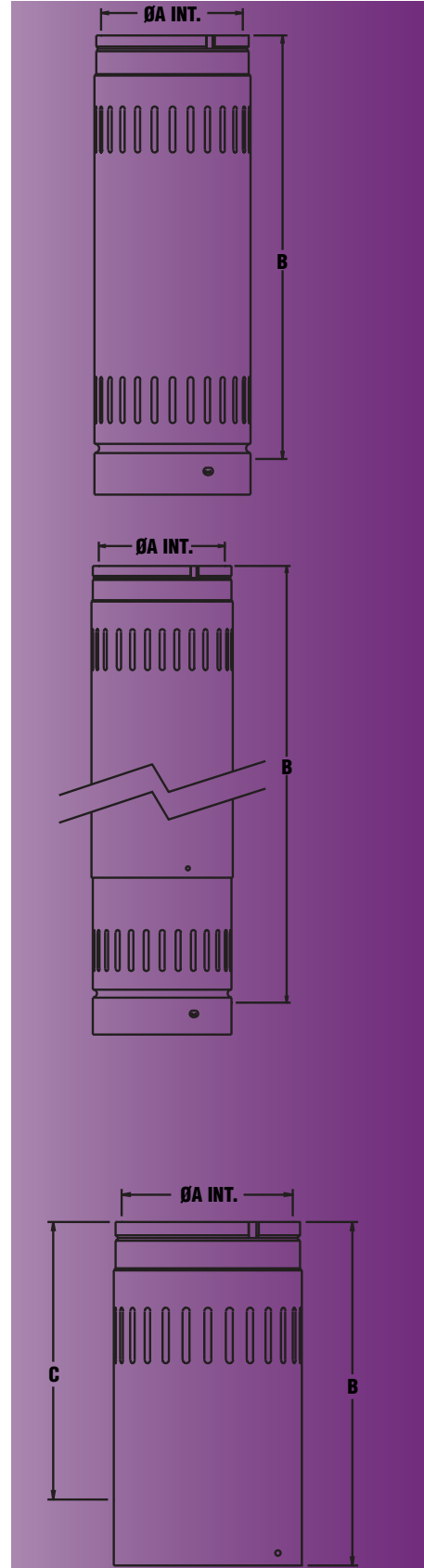
A	B*	Product Code
6	42 @ 66	6DL42A
7	42 @ 66	7DL42A
8	42 @ 66	8DL42A

*Effective length

Double Wall Adjustable Lengths

A	B	C*	Product Code
6	6	3 @ 9	6DL3A
6	36	3 @ 34	6DL36A
7	6	3 @ 9	7DL3A
7	36	3 @ 34	7DL36A
8	6	3 @ 9	8DL3A
8	36	3 @ 34	8DL36A

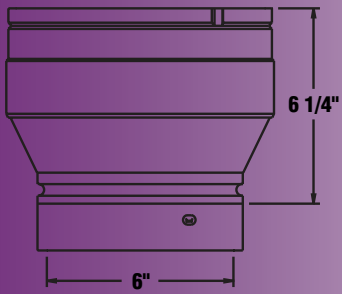
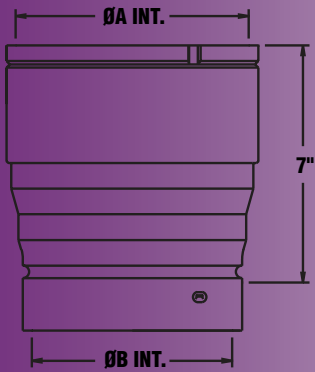
*Adjustment range



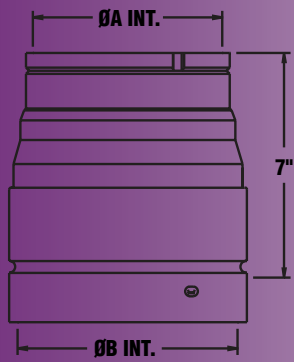
DL Lengths

Double Wall Increaser

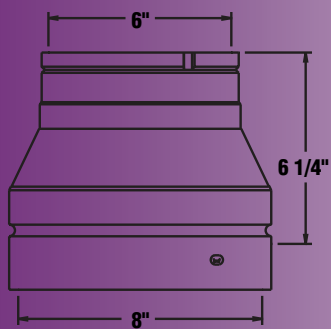
A	B	Product Code
7	6	6DLW7
8	7	7DLW8
8	6	6DLW8



6DLW8



7DLR6 / 8DLR7



8DLR6

Double Wall Reducer

A	B	Product Code
6	7	7DLR6
7	8	8DLR7
6	8	8DLR6



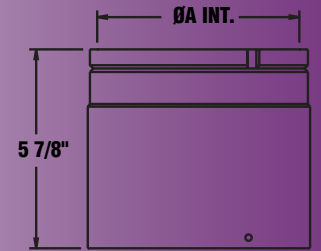
DL Lengths



Double Wall Stove Adaptor

A	B	Product Code
6	—	6DAB
7	—	7DAB
8	—	8DAB

Can be required to connect to a stove.

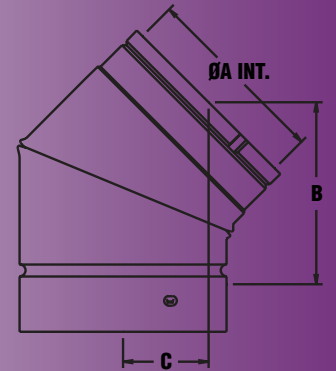


DL Elbows



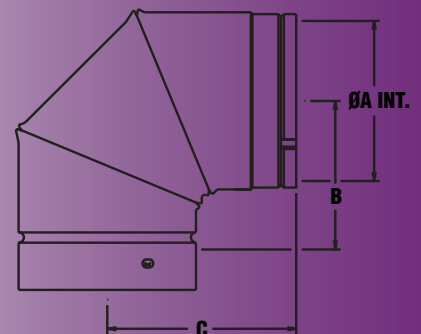
Double Wall 45-Degree Elbows

A	B	C	Product Code
6	5-1/4	2-7/16	6DE45
7	5-1/2	2-5/8	7DE45
8	6-1/4	2-3/4	8DE45



Double Wall 90-Degree Elbows

A	B	C	Product Code
6	5-5/32	5-23/32	6DE90
7	5-3/4	6-5/8	7DE90
8	7-11/16	7-3/4	8DE90

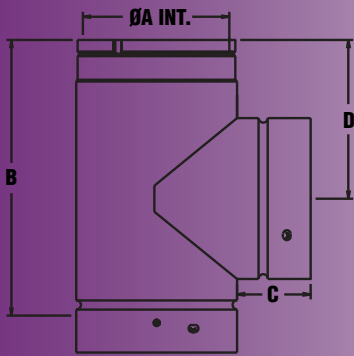


DL Tees

Double Wall Tees

A	B	C	D	Product Code
6	10-1/4	3	6-1/16	6DT
7	12-1/4	2-7/8	7-1/16	7DT
8	14-1/4	3	8-1/16	8DT

Tee cap included.

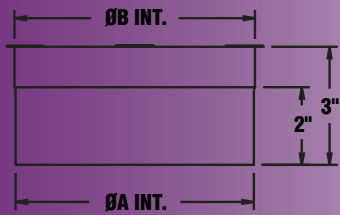
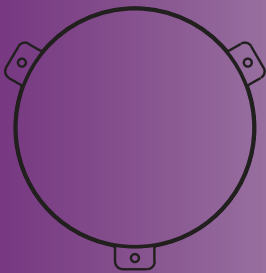


DL Accessories

Insulated Chimney Flue Extension

A	B	Product Code
5-31/32	6-1/16	6UP
6-31/32	7-1/16	7UP
7-15/16	8-1/16	8UP

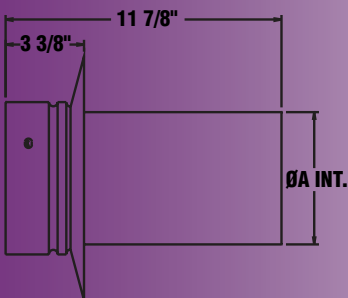
Can be required to connect to an insulated chimney.



Double Wall Masonry Adaptor

A	B	Product Code
6	—	6DMA
7	—	7DMA
8	—	8DMA

Required to connect to a masonry chimney.



DL Accessories



Double Wall Decorative Collar

A	B	C	Product Code*
8-1/8	6-5/8	1-3/8	6DQDH
9-3/8	7-5/8	7/8	7DQDH
10-3/8	8-5/8	7/8	8DQDH
—	—	—	—
10-1/8	6-5/8	7/8	6DQDX
11-1/8	7-5/8	7/8	7DQDX
12-1/8	8-5/8	7/8	8DQDX

Conceals the joint between the double wall and the insulated chimney.

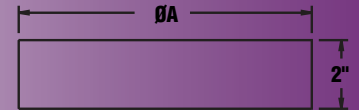
*DQDH for ASHT chimney; DQDX for S-2100 chimney (Canada only)



Double Wall Trim Collar

A	B	Product Code
6-1/2	—	6DQ
7-15/32	—	7DQ
8-17/32	—	8DQ

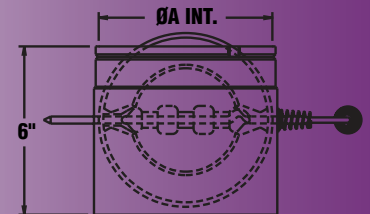
Can be used to cover the joint between the double wall and the insulated chimney.



Double Wall Damper

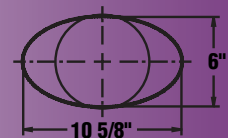
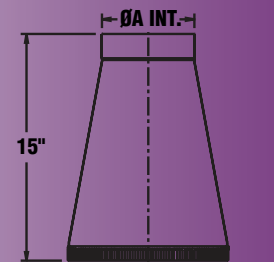
A	B	Product Code
6	—	6DLK
7	—	7DLK
8	—	8DLK

Required for chimney draft control.



Double Wall Oval-Round Adaptor

A	B	Product Code
6	—	8DLORR6A
8	—	8DLORA



Secure Black™ Single Wall (SW) Stove Pipes

With the addition of a single wall (SW) offering in our Secure Black™ stove pipe line, Security Chimneys International proudly delivers a full line of stove venting products. The new SW provides the color match and installation ease that is ideal for your stove connection.

The color that complements

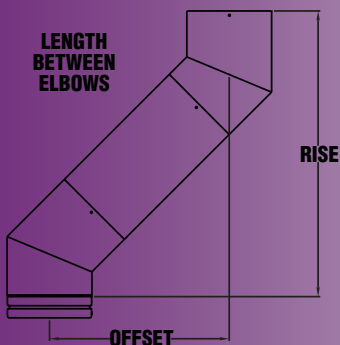
With the introduction of the SW stove pipe, Security Chimneys is delivering a high-quality, competitive option with several distinct advantages. The matte black finish is one of them. By matching most black steel wood stoves on the market, this high-temperature stove paint provides a near-perfect, seamless transition from appliance to vent pipe. That means installations look significantly better and more aesthetically attractive than competitive offerings featuring a low-luster black. Customers will appreciate the difference!

Installation ease and quality construction are givens

With Security Chimney's exclusive rib-reinforced die-formed male end fitting, installing a single wall pipe will be faster than ever before—helping reduce your valuable time on site and getting installers off to the next job. Simply slide the pipe over and screw in using self-tapping screws supplied to securely lock the SW into place.



With its 24-gauge construction, the SW is highly resilient and rivals any single wall offering available today. Security Chimneys also uses a seam weld to enhance the durability of the pipe. You and your customers can be assured that, even during the most demanding conditions, the SW will continue to perform to the highest standards.

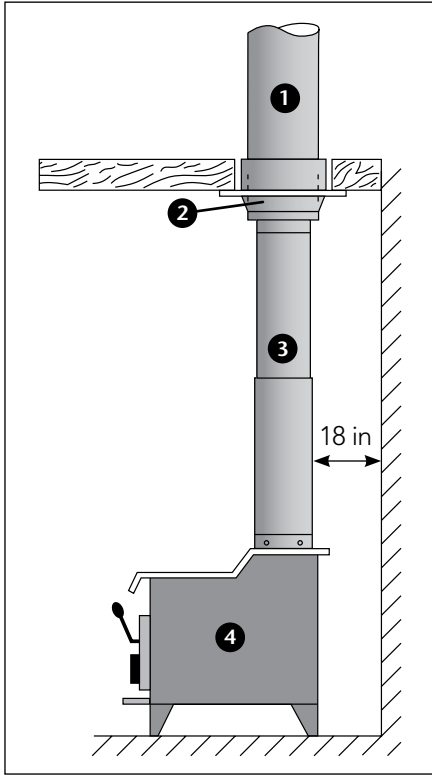


Feature	Benefit
Metallic Black High-Temperature Stove Paint—Stove Bright from Forrest Paint	<ul style="list-style-type: none"> • Matches most stoves available on the market • Provides a seamless transition from stove to vent • Offers a better-looking, more attractive installation
24-gauge (0.024"), seam weld construction	<ul style="list-style-type: none"> • Same thickness as leading competitor • Provides increased durability • Creates a rounder pipe for a better fit

SW Offset/Rise Chart (45 Deg.)							
		Length Between Elbows					
		NONE	6"	12"	24"	36"	48"
All diameters	Offset	5-5/16	8-1/2	12-23/32	21-7/32	29-11/16	38-3/16
	Rise	12-13/16	16	20-7/32	28-23/32	37-3/16	45-11/16

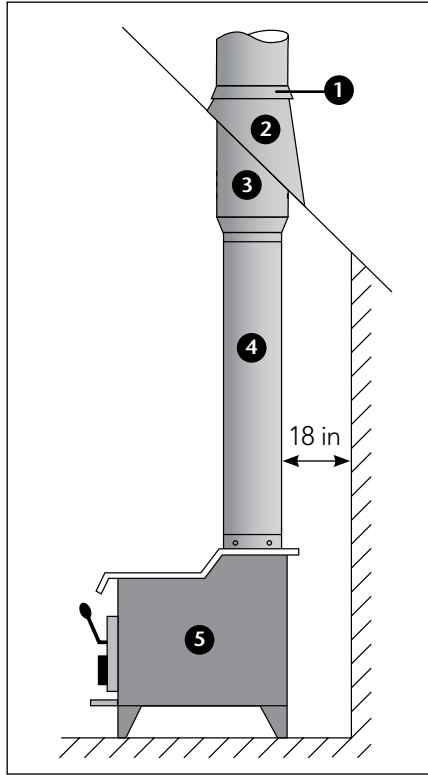
SW Installation

SW – Straight installation



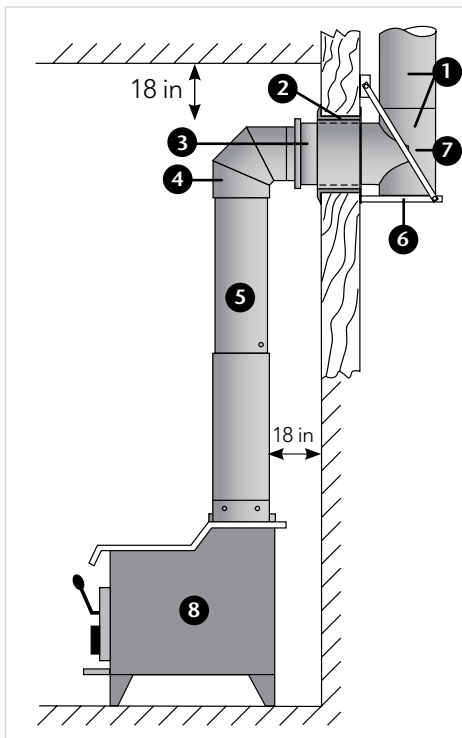
- 1. Insulated chimney
- 2. Finish support
- 3. Telescopic length
- 4. Appliance

SW – Cathedral ceiling installation



- 1. Storm collar
- 2. Roof flashing
- 3. Cathedral support
- 4. Single wall black pipe length
- 5. Appliance

SW – Through-the-wall installation

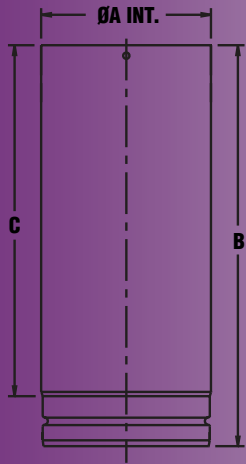


- 1. Insulated chimney
- 2. Wall thimble
- 3. Decorative collar
- 4. Elbow
- 5. Telescopic length
- 6. Wall support
- 7. Insulated tee
- 8. Appliance

SW Lengths

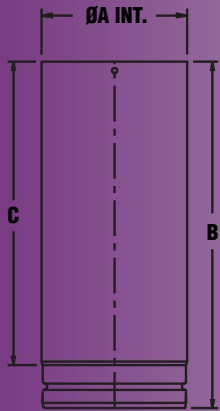
Single Wall Lengths

A	B	C	Product Code
6	6	4-3/8	6SWL6
6	12	10-3/8	6SWL12
6	24	22-3/8	6SWL24
6	36	34-3/8	6SWL36
6	48	46-3/8	6SWL48
7	6	4-3/8	7SWL6
7	12	10-3/8	7SWL12
7	24	22-3/8	7SWL24
7	36	34-3/8	7SWL36
7	48	46-3/8	7SWL48
8	6	4-3/8	8SWL6
8	12	10-3/8	8SWL12
8	24	22-3/8	8SWL24
8	36	34-3/8	8SWL36
8	48	46-3/8	8SWL48



Single Wall Adjustable Lengths

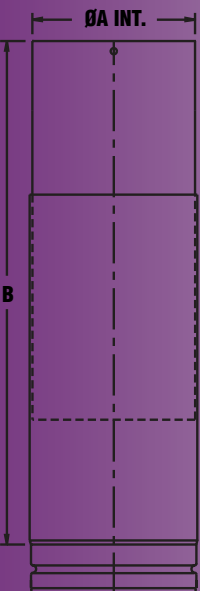
A	B	C	Product Code
6	12	2 @ 8-1/2	6SWLA
7	12	2 @ 8-1/2	7SWLA
8	12	2 @ 8-1/2	8SWLA



Single Wall Telescopic Lengths

A	B*	Product Code
6	38 @ 69	6SWLT
7	38 @ 69	7SWLT
8	38 @ 69	8SWLT

* Adjustment range



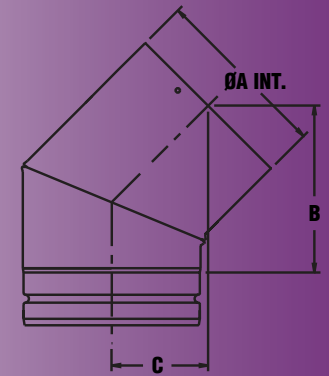
SW Elbows

Single Wall 45-Degree Elbows



A	B	C	Product Code
6	6-3/16	3-3/16	6SWE45
7	6-3/16	3-3/16	7SWE45
8	6-3/16	3-3/16	8SWE45

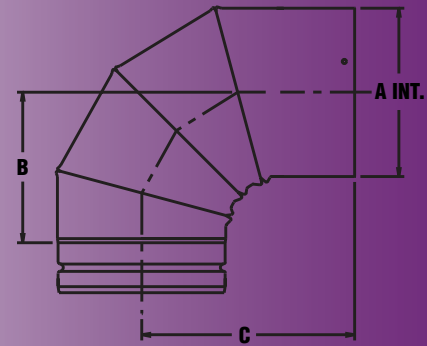
See Offset/Rise Chart on pg. 10 for deviation information.



Single Wall 90-Degree Elbows



A	B	C	Product Code
6	6	7-5/8	6SWE90
7	6	7-5/8	7SWE90
8	6	7-5/8	8SWE90



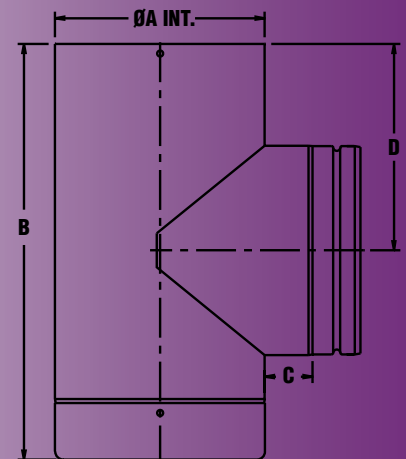
SW Tees

Single Wall Tees



A	B	C	D	Product Code
6	12-1/4	1-1/2	6	6SWT
7	14-1/4	1-1/2	7	7SWT
8	16-1/4	1-1/2	8	8SWT

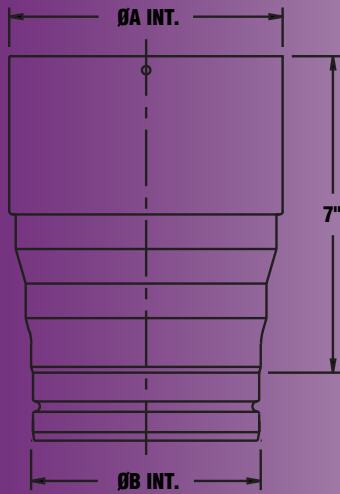
Note: Cap included.



SW Accessories

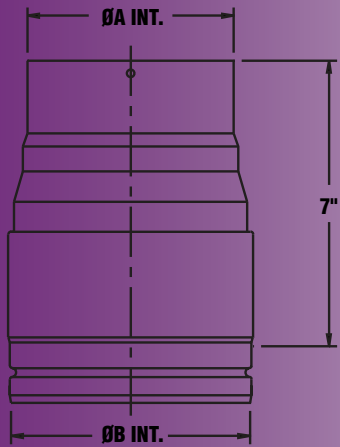
Single Wall Increaser

A	B	Product Code
7	6	6SWIN7
8	7	7SWIN8
8	6	6SWIN8



Single Wall Reducer

A	B	Product Code
6	7	7SWR6
7	8	8SWR7
6	8	8SWR6



Single Wall Decorative Collar

A	B	C	Product Code*
6-1/8	8-1/4	7/8	6PB
7-1/8	9-1/4	7/8	7PB
8-1/8	10-1/4	7/8	8PB
—	—	—	—
6-1/8	10	7/8	6XPB
7-1/8	11	7/8	7XPB
8-1/8	12	7/8	8XPB



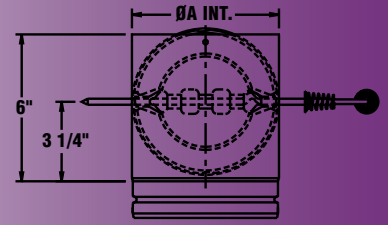
Conceals the joint between the single wall and the insulated chimney.

*PB for ASHT chimney; XPB for S-2100 chimney (Canada only)



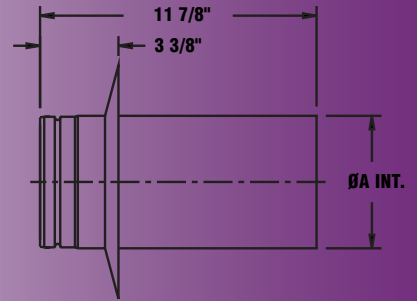
Single Wall Damper

A	B	Product Code
6	—	6SWLK
7	—	7SWLK
8	—	8SWLK



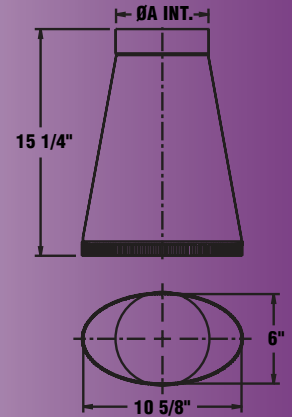
Single Wall Masonry Adaptor

A	B	Product Code
6	—	6SWMA
7	—	7SWMA
8	—	8SWMA



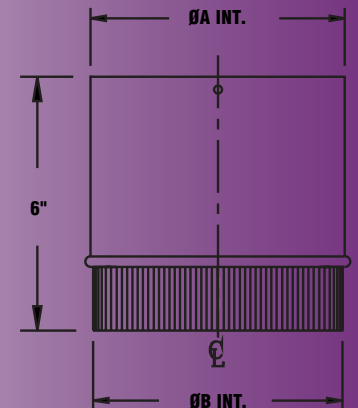
Single Wall Oval-Round Adaptor

A	B	Product Code
6	—	6SWOA
7	—	7SWOA
8	—	8SWOA



Single Wall Stove Adaptor

A	B	Product Code
6	5-7/8	6SWAB
7	6-7/8	7SWAB
8	7-7/8	8SWAB



NOTE: Diagrams, illustrations and photographs are not to scale—consult installation instructions. Product designs, materials, dimensions, specifications, colors and prices subject to change or discontinuance without notice.



ASWDL 09/10
© Lennox Industries Inc. 2010

2125 Monterey, Laval, Quebec, Canada
H7L 3T6
Phone: 450-973-9999
Fax: 450-687-9569
www.securitychimneys.com

