



THIS SYMBOL ON THE PRODUCT  
MEANS IT IS LISTED BY WAR-  
NOCK HERSEY

# INSTALLATION INSTRUCTIONS FOR THE



## BUILDERS 36 SINGLE SPEED BLOWER FAN KIT PART No. 793630

**THIS BLOWER FAN ASSEMBLY IS INTENDED FOR USE WITH FIREPLACES THAT HAVE BEEN CONNECTED TO AN ELECTRICAL CIRCUIT WHEN INSTALLED.**

### STEP 1.

Remove Lower Frame from fireplace after removing the screw on each of the frame mounting flanges. Then remove the switch plug by pressing on plug tabs and pushing from behind the frame as shown on Figure 1.

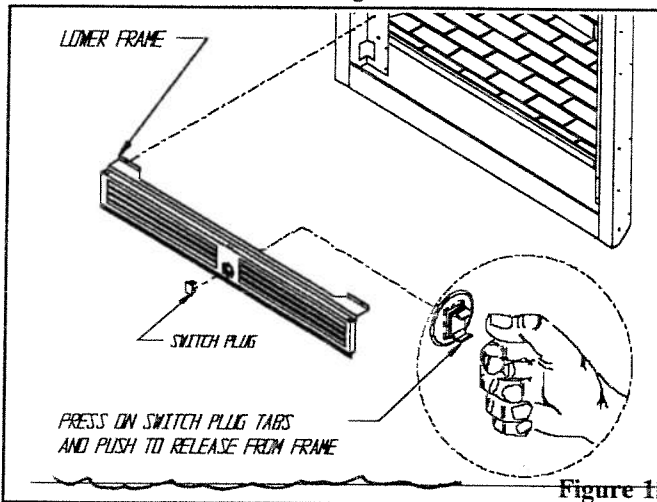


Figure 1

### STEP 2.

Install Fan assembly to fireplace as follows:

a) Place fan assembly horizontally with fan facing down and power cord to your right. Insert under hearth refractory as shown on figure 2. Half way in, tilt fan assembly down to complete insertion as shown on figure 3. Press down on fan electrical wires, if needed, to make sure they will go under refractory as you move assembly forward.

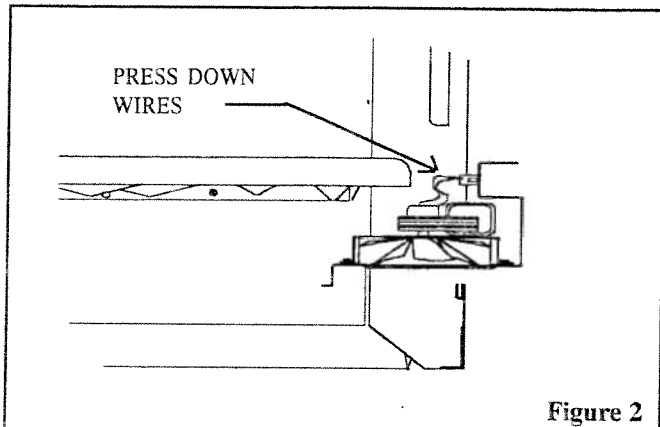


Figure 2

### The Blower Fan Kit Consist of the following:

1. One Fan Assembly
2. One On/Off Switch
3. Three # 10 x 3/8 Philips Screws

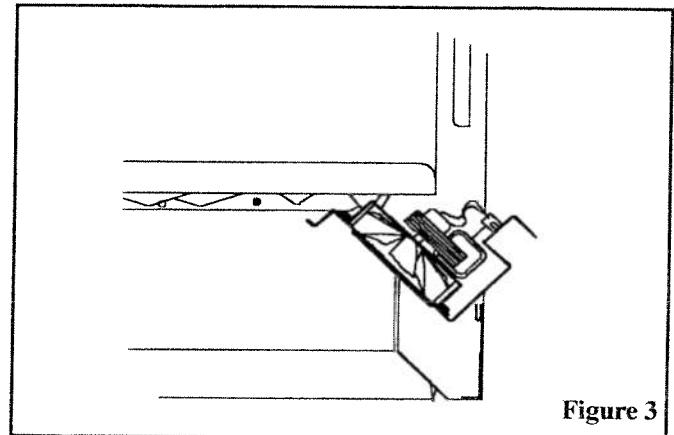


Figure 3

b) Once fan assembly is completely inside fireplace, it must be set upright with top flange placed between the two front beads under hearth support as shown on figure 4.

Some pressure may be applied to force flange over rear bead if needed to bring fan assembly into position.  
Secure the assembly with screws.

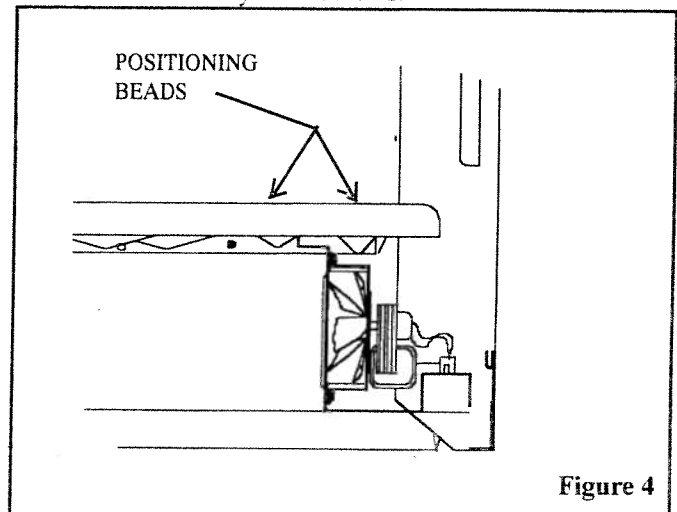


Figure 4

### STEP 3

Connecting the Fan Assembly.

Refer to Figure 5 for illustration on the following steps

**Warning ! Turn Off Electrical Supply to Fireplace Before Attempting to Connect the Fan Assembly.**

Insert switch in frame slot.

Get frame close enough to fan assembly so switch wire leads can reach the rocker switch. Push terminal leads onto switch contact blades, and make connection.

Insert fan assembly power cord plug into electrical outlet on side frame.

Rotate fan blades manually to see there is no interference of any kind and they turn freely.

Place Lower Frame back in place and secure with screws.

Turn On electrical supply to fireplace.

Turn fan switch On and Off to check for proper operation.

