



# INSTALLATION AND OPERATION MANUAL

TDS60

**SAFETY INFORMATION**

**⚠ WARNING**

**FIRE OR EXPLOSION HAZARD**

Failure to follow safety warnings exactly could result in serious injury, death, or property damage.

- Do not store or use gasoline or other flammable vapors and liquids in the vicinity of this or any other appliance.

**- WHAT TO DO IF YOU SMELL GAS:**

- Do not try to light any appliance.
- Do not touch any electrical switch; do not use any phone in your building.
- Immediately call your gas supplier from a neighbour's phone. Follow the gas supplier's instructions.
- If you cannot reach your gas supplier, call the fire department.

**- Installation and service must be performed by a qualified installer, service agency, or the supplier.**

This appliance may be installed in an aftermarket, permanently located, manufactured home (USA only) or mobile home, where not prohibited by local codes.

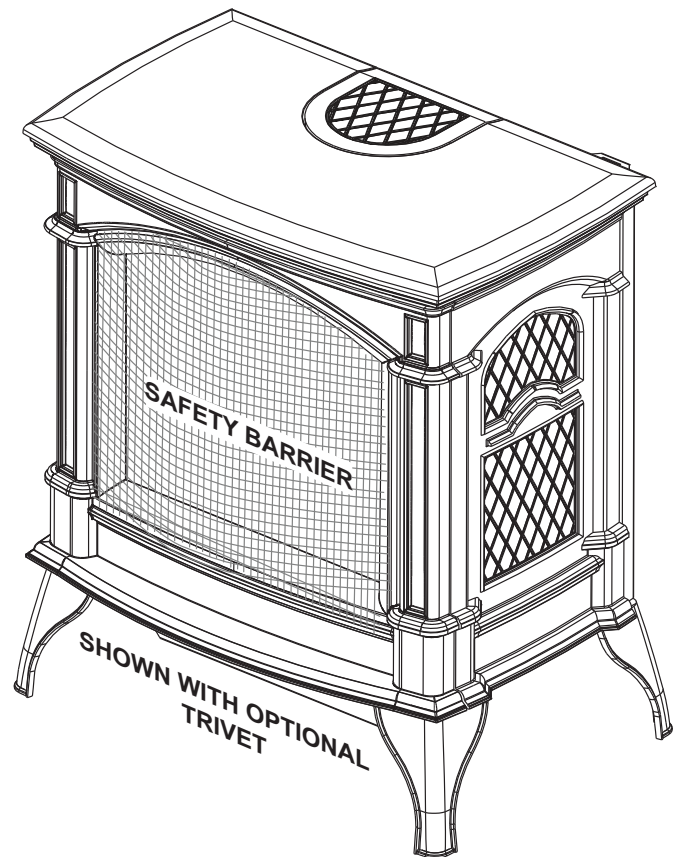
This appliance is only for use with the type of gas indicated on the rating plate. This appliance is not convertible for use with other gases, unless a certified kit is used.

**INSTALLER:**

Leave this manual with the appliance

**CONSUMER:**

Retain this manual for future reference



**FOR INDOOR USE ONLY**

**CERTIFIED TO THE CANADIAN AND AMERICAN NATIONAL STANDARDS: CSA 2.22 AND ANSI Z21.50 FOR VENTED DECORATIVE GAS APPLIANCES**

APPLY SERIAL NUMBER LABEL FROM CARTON



Wolf Steel Ltd., 24 Napoleon Rd., Barrie, ON, L4M 0G8 Canada / 103 Miller Drive, Crittenden, Kentucky, USA, 41030  
 Phone 1 (866) 820-8686 • www.timberwolffireplaces.com • ask@timberwolffireplaces.com

## ! WARNING

- **This appliance is hot when operated and can cause severe burns if contacted.**
- **Any changes or alterations to this appliance or its controls can be dangerous and is prohibited.**
- Do not operate appliance before reading and understanding operating instructions. Failure to operate appliance according to operating instructions could cause fire or injury.
- Ensure the glass door is opened or removed when lighting the pilot for the first time and when the gas supply has run out.
- Risk of fire or asphyxiation, do not operate appliance with fixed glass removed and never obstruct the front opening of the appliance.
- Do not connect 110 volts to the control valve, with the exception of models; GSST8 and GT8.
- Risk of burns. The appliance should be turned off and cooled before servicing.
- Do not install damaged, incomplete or substitute components.
- Risk of cuts and abrasions. Wear protective gloves, protective footwear, and safety glasses during installation. Sheet metal edges may be sharp.
- Do not burn wood or other materials in this appliance.
- Provide adequate ventilation and combustion air. Provide adequate accessibility clearance for servicing and operating the appliance.
- High pressure will damage valve. Disconnect gas supply piping before pressure testing gas line at test pressures above 1/2 psig. Close the manual shut-off valve before pressure testing gas line at test pressures equal to or less than 1/2 psig (35mb).
- The appliance must not be operated at temperatures below freezing (32°F / 0°C). Allow the appliance to warm to above freezing prior to operation, with the exception of models; GSS36, GSS42; these appliances are suitable for 0°F / -18°C.
- **Children and adults should be alerted to hazards of high surface temperature and should stay away to avoid burns or clothing ignition.**
- **Young children should be carefully supervised when they are in the same room as the appliance. Toddlers, young children and others may be susceptible to accidental contact burns. A physical barrier is recommended if there are at risk individuals in the house. To restrict access to an appliance or stove, install an adjustable safety gate to keep toddlers, young children and other at risk individuals out of the room and away from hot surfaces.**
- **Clothing or other flammable material should not be placed on or near the appliance.**
- **Due to high temperatures, the appliance should be located out of traffic and away from furniture and draperies.**
- Furniture or other objects must be kept a minimum of 4 feet (1.22m) away from the front of the appliance.
- Ensure you have incorporated adequate safety measure to protect infants/toddlers from touching hot surfaces.
- Even after the appliance is off, it will remain hot for an extended period of time.
- Check with your local hearth specialty dealer for safety screens and hearth guards to protect children from hot surfaces. These screens and guards must be fastened to the floor.
- **Any safety screen, guard or barrier removed for servicing the appliance, must be replaced prior to operating the appliance.**
- It is imperative that the control compartments, burners and circulating blower and its passageway in the appliance and venting system are kept clean. The appliance and its venting system should be inspected before use and at least annually by a qualified service person. More frequent cleaning may be required due to excessive lint from carpeting, bedding material, etc. The appliance area must be kept clear and free from combustible materials, gasoline and other flammable vapors and liquids.
- If the appliance shuts off, do not re-light until you provide fresh air. If appliance keeps shutting off, have it serviced. Keep burner and control compartment clean.
- Under no circumstances should this appliance be modified.
- Do not allow wind or fans to blow directly into the appliance. Avoid any drafts that alter burner flame patterns.

# DANGER

HOT GLASS WILL CAUSE BURNS.

DO NOT TOUCH GLASS UNTIL COOLED.

NEVER ALLOW CHILDREN TO TOUCH GLASS.

A barrier designed to reduce the risk of burns from the hot viewing glass is provided with this appliance and shall be installed for the protection of children and other at-risk individuals.

**! WARNING**


- Do not use a blower insert, heat exchanger insert or other accessory not approved for use with this appliance.
- This appliance must not be connected to a chimney flue pipe serving a separate solid fuel burning appliance.
- Do not use this appliance if any part has been under water. Immediately call a qualified service technician to inspect the appliance and to replace any part of the control system and any gas control which has been under water.
- Do not operate the appliance with the glass door removed, cracked or broken. Replacement of the glass should be done by a licensed or qualified service person, if equipped.
- Do not strike or slam shut the appliance glass door, if equipped.
- **Only doors / optional fronts certified with the appliance are to be installed on the appliance.**
- Keep the packaging material out of reach of children and dispose of the material in a safe manner. As with all plastic bags, these are not toys and should be kept away from children and infants.
- Carbon or soot should not occur in a vent free appliance as it can distribute into the living area of your home. If you notice any signs of carbon or soot, immediately turn off your appliance and arrange to have it serviced by a qualified technician before operating it again.
- If equipped, the screen must be in place (closed) when the appliance is in operation.
- When equipped with pressure relief doors, they must be kept closed while the appliance is operating to prevent exhaust fumes containing carbon monoxide, from entering into the home. Temperatures of the exhaust escaping through these openings can also cause the surrounding combustible materials to overheat and catch fire.
- Carbon monoxide poisoning may lead to death; early signs of carbon monoxide poisoning resemble the flu, with headache, dizziness and/or nausea. If you have these signs, the appliance may not be working properly. Get fresh air at once! Have appliance serviced. Some people; pregnant women, persons with heart or lung disease, anemia, those under the influence of alcohol, those at high altitudes are more affected by carbon monoxide than others. Failure to keep the primary air opening(s) of the burner(s) clean may result in sooting and property damage.
- As with any combustion appliance, we recommend having your appliance regularly inspected and serviced as well as having a Carbon Monoxide Detector installed in the same area to defend you and your family against Carbon Monoxide (not applicable for outdoor appliances).
- Ensure clearances to combustibles are maintained when building a mantel or shelves above the appliance. Elevated temperatures on the wall or in the air above the appliance can cause melting, discolouration or damage to decorations, a TV or other electronic components.
- **For appliances equipped with a safety barrier; if the barrier becomes damaged, the barrier shall be replaced with the manufacturer's barrier for this appliance.**
- **Installation and repair should be done by a qualified service person. It is imperative that control compartments, burners and circulating air passageways of the appliance be kept clean.**
- For outdoor products only: this appliance must not be installed indoors or within any structure that prevents or inhibits the exhaust gases from dissipating in the outside atmosphere.
- If applicable, the millivolt version of this appliance uses and requires a fast acting thermocouple. Replace only with a fast acting thermocouple supplied by Wolf Steel Ltd.

**! WARNING:** This product can expose you to chemicals including lead and lead compounds, which are known to the State of California to cause cancer, and chemicals including carbon monoxide, which are known to the State of California to cause birth defects or other reproductive harm. For more information, go to [www.P65Warnings.ca.gov](http://www.P65Warnings.ca.gov).

**! WARNING !**

**FIRE RISK HAZARD / DELAYED IGNITION**

**High supply pressure will damage the valve / controls.**



Disconnect the appliance main gas valve/control from the supply piping when pressure testing that system at pressures in excess of 1/2 psi (3.5 kPa).

Isolate the appliance with it's shut off valve during any pressure testing of the supply piping at pressures equal to or less than 1/2 psi (3.5 kPa).

# table of contents

|            |  |           |             |  |           |
|------------|--|-----------|-------------|--|-----------|
| <b>1.0</b> | <b>general information</b>                           | <b>5</b>  | <b>5.0</b>  | <b>finishing</b>                           | <b>36</b> |
| 1.1        | rating plate information                             | 7         | 5.1         | front cast removal                         | 36        |
| 1.2        | dimensions   | 7         | 5.2         | safety barrier installation and removal    | 36        |
| 1.3        | shipping bracket                                     | 8         | 5.3         | glass door installation and removal        | 37        |
| <b>2.0</b> | <b>direct venting - model TDS60-1</b>                | <b>9</b>  | 5.4         | battery housing installation               | 38        |
| 2.1        | typical vent installations                           | 10        | 5.5         | glass / door replacement                   | 38        |
| 2.2        | special vent installations                           | 12        | 5.6         | log placement                              | 39        |
| 2.2.1      | periscope termination                                | 12        | 5.7         | logo placement                             | 40        |
| 2.2.2      | corner termination                                   | 12        | 5.8         | switch and bracket installation            | 40        |
| 2.3        | vent terminal clearances                             | 13        | <b>6.0</b>  | <b>optional blower installation</b>        | <b>41</b> |
| 2.4        | venting application flow chart                       | 14        | <b>7.0</b>  | <b>wiring diagram</b>                      | <b>42</b> |
| 2.5        | definitions  | 15        | 8.1         | operating instructions                     | 43        |
| 2.6        | elbow vent length values                             | 15        | <b>8.0</b>  | <b>operation</b>                           | <b>43</b> |
| 2.7        | top exit horizontal termination                      | 16        | 8.2         | pilot-on-demand                            | 44        |
| 2.8        | top exit horizontal termination                      | 17        | 8.3         | operating instructions - for your safety   |           |
| 2.9        | rear exit horizontal termination                     | 18        |             | read before operating                      | 45        |
| 2.10       | top or rear exit vertical termination                | 20        | 8.4         | lighting instructions                      | 45        |
| <b>3.0</b> | <b>installation preparation - model TDS60-1</b>      | <b>22</b> | <b>9.0</b>  | <b>adjustment</b>                          | <b>46</b> |
| 3.1        | orifice replacement                                  | 22        | 9.1         | pilot burner adjustment                    | 46        |
| 3.2        | changing a top vent to a rear vent                   | 23        | 9.2         | venturi adjustment                         | 46        |
| <b>4.0</b> | <b>installation</b>                                  | <b>24</b> | 9.3         | flame characteristics                      | 47        |
| 4.1        | minimum clearance to combustibles                    | 24        | 9.4         | restricting vertical vents - model TDS60-1 | 47        |
| 4.1.1      | horizontal installation                              | 25        | <b>10.0</b> | <b>maintenance</b>                         | <b>48</b> |
| 4.1.2      | vertical installation                                | 26        | 10.1        | annual maintenance                         | 49        |
| 4.1.3      | horizontal air terminal installation - model TDS60-1 | 27        | 10.2        | care of glass                              | 49        |
| 4.1.4      | vertical air terminal installation - model TDS60-1   | 28        | <b>11.0</b> | <b>replacement parts</b>                   | <b>50</b> |
| 4.2        | appliance vent connection - model TDS60-1            | 29        | 11.1        | overview                                   | 51        |
| 4.3        | vertical through existing chimney                    | 30        | 11.2        | valve train assembly                       | 52        |
| 4.4        | mobile home installation - model TDS60-1             | 31        | <b>12.0</b> | <b>accessories</b>                         | <b>53</b> |
| 4.5        | gas installation                                     | 31        | <b>13.0</b> | <b>troubleshooting</b>                     | <b>54</b> |
| 4.6        | optional wall switch                                 | 31        | <b>14.0</b> | <b>warranty</b>                            | <b>56</b> |
| 4.7        | natural vent specifics - model TS60-1                | 32        | <b>15.0</b> | <b>service history</b>                     | <b>57</b> |
| 4.7.1      | chimney installation                                 | 32        |             |  |           |
| 4.7.2      | installing natural vent                              | 33        |             |  |           |
| 4.7.3      | natural vent   | 33        |             |  |           |
| 4.7.4      | combustion air                                       | 33        |             |  |           |
| 4.7.5      | adding vent sections                                 | 34        |             |  |           |
| 4.7.6      | installing flashing and storm collar                 | 35        |             |  |           |

**NOTE:** Changes, other than editorial, are denoted by a vertical line in the margin.

**Installer, please fill out the following information:**

Customer: \_\_\_\_\_  
 Address: \_\_\_\_\_  
 Date of Installation: \_\_\_\_\_  
 Location of appliance: \_\_\_\_\_  
 Installer: \_\_\_\_\_  
 Dealer/Distributor contact number: \_\_\_\_\_  
 Serial #: \_\_\_\_\_

Model:

**Natural Gas:**     TDS60-1N                      **Propane:**     TDS60-1P  
                           TS60-1N     TS60-1P

## 1.0 general information

When the appliance is installed at elevations above 4,500ft (1371m), and in the absence of specific recommendations from the local authority having jurisdiction, the certified high altitude input rating shall be reduced at the rate of 4% for each additional 1,000ft (305m).

Change in flame appearance from "HI" to "LO" is more evident in natural gas than in propane.

Expansion / contraction noises during heating up and cooling down cycles are normal and to be expected.

This appliance is only for use with the type of gas indicated on the rating plate. This appliance is not convertible for use with other gases, unless a certified kit is used.

**TDS60-1** - This appliance is not approved for closet or recessed installations. It is approved for bathroom, bedroom and bed-sitting room installations. This appliance may be installed in an aftermarket permanently located, manufactured (mobile) home, where not prohibited by local codes. **(Rear vent)** Rear exit installations which terminate horizontally and have no vertical vent runs must have the BTU input reduced to 21,000 BTU/hr by changing the orifice (supplied).

**TS60-1** - This appliance is approved for bedroom and bed-sitting room installations.

|   | TDS60-1  |   | TS60-1                      |                            |
|---|--|---|-----------------------------|----------------------------|
|   | NG   | P   | NG                          | P                          |
| Altitude (FT)                             | 0-4,500  |   | 0-4500                      |                            |
| Max. Input (BTU/HR)                       | 35,000 <b>(Top vent)</b><br>21, 000 <b>(Rear vent)</b> | 31,500 <b>(Top vent)</b><br>22,000 <b>(Rear vent)</b> | 35, 000                     | 31,500                     |
| Max. Output (BTU/HR)                      | 27,300   | 24,570  | 27,300                      | 24,570                     |
| Min. Inlet Gas Supply Pressure            | 4.5" (11mb)<br>Water Column                            | 11" (27mb)<br>Water Column                            | 4.5" (11mb)<br>Water Column | 11" (27mb)<br>Water Column |
| Max. Inlet Gas Supply Pressure            | 7" (17mb)<br>Water Column                              | 13" (33mb)<br>Water Column                            | 7" (17mb)<br>Water Column   | 13" (33mb)<br>Water Column |
| Manifold Pressure (Under Flow Conditions) | 3.5" (9mb)<br>Water Column                             | 10" (25mb)<br>Water Column                            | 3.5" (9mb)<br>Water Column  | 10" (25mb)<br>Water Column |



Batteries must be disposed of according to the local laws and regulations. Some batteries may be recycled, and may be accepted for disposal at your local recycling center. Check with your municipality for recycling instructions.

## WARNING

- Always light the pilot - whether for the first time or if the gas supply has run out - with the glass door opened or removed.
- Provide adequate clearance for servicing and operating the appliance.
- Provide adequate ventilation.
- Never obstruct the front opening of the appliance.
- Objects placed in front of the appliance must be kept a minimum of 48" (121.9cm) from the front face of the appliance.
- Surfaces around and especially above the appliance can become hot. Avoid contact when the appliance is operating.
- Fire risk. Explosion hazard.
- High pressure will damage valve. Disconnect gas supply piping before pressure testing gas line at test pressures above 1/2psig. Close the manual shut-off valve before pressure testing gas line at test pressures equal to or less than 1/2psig (35mb).
- Use only Wolf Steel-approved optional accessories and replacement parts with this appliance. Using non-listed accessories (blowers, doors, louvres, trims, gas components, venting components, etc.) could result in a safety hazard and will void the warranty and certification.

**THIS GAS APPLIANCE MUST BE INSTALLED AND SERVICED BY A QUALIFIED INSTALLER** to conform with local codes. Installation practices vary from region to region and it is important to know the specifics that apply to your area, for example in the state of Massachusetts:

- This product must be installed by a licensed plumber or gas fitter when installed within the commonwealth of Massachusetts.
- The appliance damper must be removed or welded in the open position prior to installation of an appliance insert or gas log.
- The appliance off valve must be a "T" handle gas cock.
- The flexible connector must not be longer than 36 inches (0.9m).
- A carbon monoxide detector is required in all rooms containing gas fired appliances.
- The appliance is not approved for installation in a bedroom or bathroom unless the unit is a direct vent sealed combustion product.

The installation must conform with local codes or, in absence of local codes, the National Gas and Propane Installation Code CSA B149.1 in Canada, or the National Fuel Gas Code, ANSI Z223.1 / NFPA 54 in the United States. Suitable for mobile home installation if installed in accordance with the current standard CAN/CSA Z240MH Series, for gas equipped mobile homes, in Canada or ANSI Z223.1 and NFPA 54 in the United States.

The appliance and its individual shutoff valve must be disconnected from the gas supply piping system during any pressure testing of that system at test pressures in excess of 1/2 psig (35 mb).

The appliance must be isolated from the gas supply piping system by closing its individual manual shutoff valve during any pressure testing of the gas supply piping system at test pressures equal to or less than 1/2 psig (35 mb). When installed with a blower or fan, the junction box must be electrically connected and grounded in accordance with local codes. In the absence of local codes, use the current CSA C22.1 Canadian Electrical Code in Canada or the ANSI / NFPA 70 National Electric Code in the United States. In the case where the blower is equipped with a power cord, it must be connected into a properly grounded receptacle. The grounding prong must not be removed from the cord plug.

The following does not apply to inserts; as long as the required clearance to combustibles is maintained, the most desirable and beneficial location for an appliance is in the center of a building, thereby allowing the most efficient use of the heat created. The location of windows, doors and, the traffic flow in the room where the appliance is to be located should be considered. If possible, you should choose a location where the vent will pass through the house without cutting a floor or roof joist. If the appliance is installed directly on carpeting, vinyl tile or other combustible material other than wood flooring, the appliance shall be installed on a metal or wood panel extending the full width and depth, unless otherwise tested.

When the appliance is installed directly on carpeting, vinyl tile or other combustible material other than wood flooring, the appliance shall be installed on a metal or wood panel extending the full width and depth.

The appliance, when installed with a blower, must be electrically connected and grounded in accordance with local codes. In the absence of local codes, use the current CSA C22.1 Canadian Electrical Code in Canada or the ANSI/NFPA 70-1996 National Electrical Code in the United States. The blower power cord must be connected into a properly grounded receptacle. The grounding prong must not be removed from the cord plug.

**NATIONAL  
FIREPLACE  
INSTITUTE**



**CERTIFIED**


[www.nficertified.org](http://www.nficertified.org)

We suggest that our gas hearth products be installed and serviced by professionals who are certified in the U.S. by the National Fireplace Institute® (NFI) as NFI Gas Specialists

### 1.1 rating plate information

Certified to Canadian and American National Standards: **CSA 2.22-XXXX / ANSI Z21.50-XXXX for Vented Decorative Gas Appliances**  
 Certifié selon les normes Nationales Canadiennes et Américaines: **CSA 2.22-XXXX / ANSI Z21.50-XXXX pour les Appareils à gaz décoratif à évacuation**

Direct vent, vented gas fireplaces. Approved for bedroom, bathroom and bed-sitting room installation. Suitable for mobile home installation, if installed in accordance with the current standard CAN / CSA Z240MH Series gas equipped mobile homes in Canada, or, in the United States, the *Manufactured Home Construction and Safety Standard, Title 24 CFR, Part 3280*. When this US Standard is not applicable, use the *Standard for Fire Safety Criteria for Manufactured Home Installations, Sites and Communities, ANSI / NFPA 501A*. This appliance must be installed in accordance with local codes, if any; if none, follow the current ANSI Z223.1 or CSA B149. **For use with barrier WXXX-XXXX. Follow installation instructions.**  
 Foyer à gaz venté. Homologué pour installation dans une chambre à coucher, une salle de bain et un studio. Apprôprié pour installation dans une maison mobile si son installation conforme aux exigences de la norme CAN / CSA Z240MH Série de maisons mobile équipées au gaz en vigueur au Canada, ou, aux États-Unis selon la norme *24 CFR, Part 3280, Manufactured Home Construction and Safety Standard*. Dans le cas où cette norme d'États-Unis n'est pas pertinente, utiliser la norme *NFPA 501A, Fire Safety Criteria for Manufactured Home Installations, Sites and Communities*. Installer l'appareil selon les codes ou règlements locaux ou, en l'absence de tels règlements, selon les codes d'installation ANSI Z223.1 ou CSA B149 en vigueur. **Utiliser uniquement avec l'écran WXXX-XXXX. Suivre les instructions d'installation.**



**US**  
Energy Verified  
Énergie vérifiée

REFERENCE# 161746

**VENTED DECORATIVE GAS APPLIANCE: NOT A SOURCE OF HEAT, NOT INTENDED FOR USE AS A HEATING APPLIANCE, NOT FOR USE WITH SOLID FUEL.**  
**APPAREIL À GAZ DÉCORATIF À ÉVACUATION: N'EST PAS UNE SOURCE DE CHALEUR; N'EST PAS DESTINÉ À ÊTRE UTILISÉ COMME UN APPAREIL DE CHAUFFAGE; NE CONVIENT PAS AUX COMBUSTIBLES SOLIDES.**

**FOR USE WITH GLASS DOORS CERTIFIED WITH THIS APPLIANCE ONLY. POUR UTILISATION UNIQUEMENT AVEC LES PORTES EN VERRE CERTIFIÉES AVEC L'APPAREIL.**

For natural gas when equipped with No. XX drill size orifice.  
 For propane when equipped with No. XX drill size orifice.  
 Convient au gaz naturel quand l'appareil est muni d'un injecteur de diamètre no. XX.  
 Convient au propane quand l'appareil est muni d'un injecteur de diamètre no. XX.

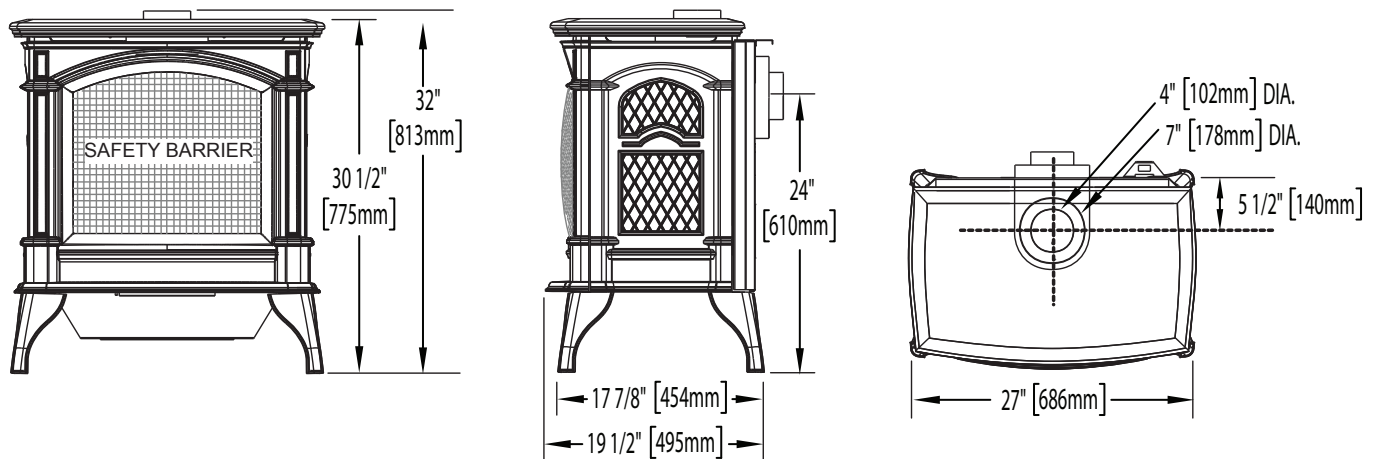
**WARNING:** Do not add any material to the appliance which will come in contact with the flames, other than that supplied by the manufacturer with the appliance.  
**AVERTISSEMENT:** N'ajoutez pas à cet appareil aucun matériau devant entretien contact avec les flammes autre que celui qui est fourni avec cet appareil par le fabricant.  
 The appliance must be vented using the appropriate Napoleon vent kits. See installation manual for venting specifications. Proper reinstallation and resealing is necessary after servicing the vent-air intake system.  
 L'appareil doit être venté à l'aide de l'ensemble d'évacuation propre à Napoleon. Référez au manuel d'installation pour les spécifications d'évacuation. Il est nécessaire de bien réinstaller et resceller l'évacuation après avoir exécuté l'entretien du système de prise d'air.

**Serial Number / N° de Série: WOLF STEEL LTD. 24 Napoleon Road, Barrie, ON, L4M 0G8 Canada**      **W385-XXXX**

This illustration is for reference only. Refer to the rating plate on the appliance for accurate information.

**NOTE:** The rating plate must remain with the appliance at all times. It must not be removed.

### 1.2 dimensions



# general information

## 1.3 shipping bracket

### **! WARNING**

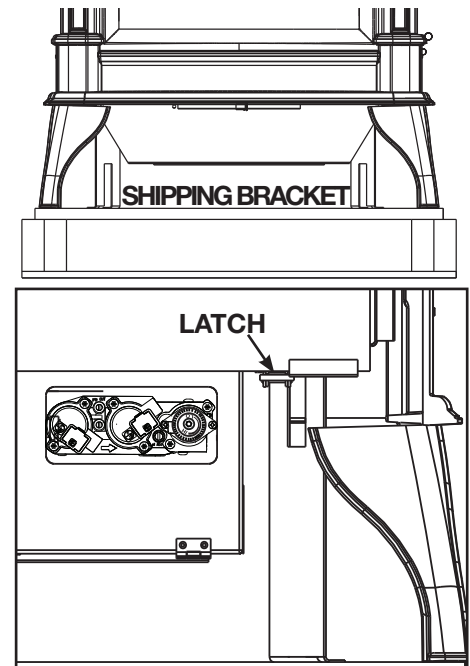
- The top casting is not fastened to the stove assembly. It simply sits on the stove as a lid. For shipping purposes, it is held in place by plastic strapping. Once the strapping is cut, the top should be lifted off carefully and stored in a safe place to avoid damage while completing the installation of the stove. To avoid the appliance being damaged during shipping, a shipping bracket has been used and must be unbolted before the appliance can be installed.

#### **SHIPPING BRACKET REMOVAL**

- A. Remove the four screws holding the shipping bracket to the bottom of the appliance.
- B. Lift the appliance off the skid and set on a flat surface.
- C. Discard the screws, brackets and skid.

#### **GLASS DOOR REMOVAL**

- A. Lift the top casting off.
- B. Open the valve control cover. Pull the latch handles forward to release. The door may now be safely removed by swinging the bottom out and lifting it off.





**! WARNING**

- Risk of fire. Maintain specified air space clearances to vent pipe and appliance.
- The vent system must be supported every 3'(0.9m) for both vertical and horizontal runs. Use support ring assembly W010-0067 or equivalent non-combustible strapping to maintain the minimum clearance to combustibles for both vertical and horizontal runs. Spacers are attached to the inner pipe at predetermined intervals to maintain an even air gap to the outer pipe. This gap is required for safe operation. A spacer is required at the start, middle, and end of each elbow to ensure this gap is maintained. These spaces must not be removed.

**This appliance uses a 4" (102mm) exhaust / 7" (178mm) air intake vent pipe system. Refer to the section applicable to your installation.**

For safe and proper operation of the appliance, follow the venting instructions exactly. Deviation from the minimum vertical vent length can create difficulty in burner start-up and/or carboning. Under extreme vent configurations, allow several minutes (5-15) for the flame to stabilize after ignition. Although not a requirement, it is recommended for vent lengths that pass through unheated spaces (attics, garages, crawl spaces) be insulated with the insulation wrapped in a protective sleeve to minimize condensation. Provide a means for visually checking the vent connection to the appliance after the appliance is installed. Use a firestop, vent pipe shield or attic insulation shield when penetrating interior walls, floor or ceiling.

The vent terminal may be painted with a high temperature paint to match exterior colours. Use an outdoor paint suitable for 400°F (200°C). Application and performance of paint is the consumer's responsibility. Spot testing is recommended.

|  |
|--|
| <b>note:</b>   |
| If for any reason the vent air intake system is disassembled, re-install per the instructions provided for the initial installation.   |
| This appliance must be installed with a continuous connection of exhaust and air intake vent pipes. Utilizing alternate constructions such as a chimney as part of the vent system is not permitted. |

Use only Wolf Steel, Simpson Dura-Vent, Selkirk Direct Temp, American Metal Amerivent or Metal-Fab venting components. Minimum and maximum vent lengths, for both horizontal and vertical installations, clearances from vent pipes to combustibles and air terminal locations as set out in this manual apply to all vent systems and must be adhered to. For Simpson Dura-Vent, Selkirk Direct Temp, American Metal Amerivent and Metal-Fab, follow the installation procedure provided with the venting components or on the website for your venting supplier.

A starter adaptor must be used with the following vent systems and may be purchased from the corresponding supplier:

| Venting System | Starter Adapter Part Number               | Supplier       | Website                       |
|----------------|---|----------------|-------------------------------|
| Duravent       | GDS924N                                   | Wolf Steel     | www.duravent.com              |
| Amerivent      | 4DSCB-N1 (stoves)<br>4DSC-N2 (fireplaces) | American Metal | www.americanmetalproducts.com |
| Direct Temp    | 4DT-AAN                                   | Selkirk        | www.selkirkcorp.com           |
| SureSeal       | 4DNA                                      | Metal-Fab      | www.mtfab.com                 |

For vent systems that provide seals on the inner exhaust flue, only the outer air intake joints must be sealed using a red high temperature silicone (RTV). This same sealant may be used on both the inner exhaust and outer intake vent pipe joints of all other approved vent systems except for the exhaust vent pipe connection to the appliance flue collar which must be sealed using the black high temperature sealant Mill Pac. High temperature sealant must be ordered separately.

When using Wolf Steel venting components, use only approved Wolf Steel rigid / flexible components with the following termination kits: wall terminal kit **GD-222**, **GD-222R**, **ST47U** or 1/12 to 7/12 pitch roof terminal kit **GD-110**, 8/12 to 12/12 roof terminal kit **GD-111**, flat roof terminal kit **GD-112** or periscope kit **GD-201** (for wall penetration below grade). With flexible venting, in conjunction with the various terminations, use either the 5 foot (1.5m) vent kit **GD-220** or the 10 foot (3.1m) vent kit **GD-330**. For stoves only: wall terminal kit **GD-175** (venting included).

**For optimum flame appearance and appliance performance, keep the vent length and number of elbows to a minimum.**

**The air terminal must remain unobstructed at all times. Examine the air terminal at least once a year to verify that it is unobstructed and undamaged.**

**Rigid and flexible venting systems must not be combined. Different venting manufacturer components must not be combined.**

These vent kits allow for either horizontal or vertical venting of the appliance. The maximum allowable horizontal run is 20 feet (6.1m). The maximum allowable vertical vent length is 40 feet (12.2m). The maximum number of vent connections is two horizontally or three vertically (excluding the appliance and the air terminal connections) when using flexible venting.

# venting

Horizontal runs may have a 0" rise per foot or 0mm rise per meter however for optimum performance it is recommended that all horizontal runs have a minimum 1/4" rise per foot or 21mm rise per meter using flexible venting. For safe and proper operation of the appliance, follow the venting instructions exactly.

A terminal shall not terminate directly above a sidewalk or paved driveway which is located between two single family dwellings and serves both dwellings. Local codes or regulations may require different clearances.

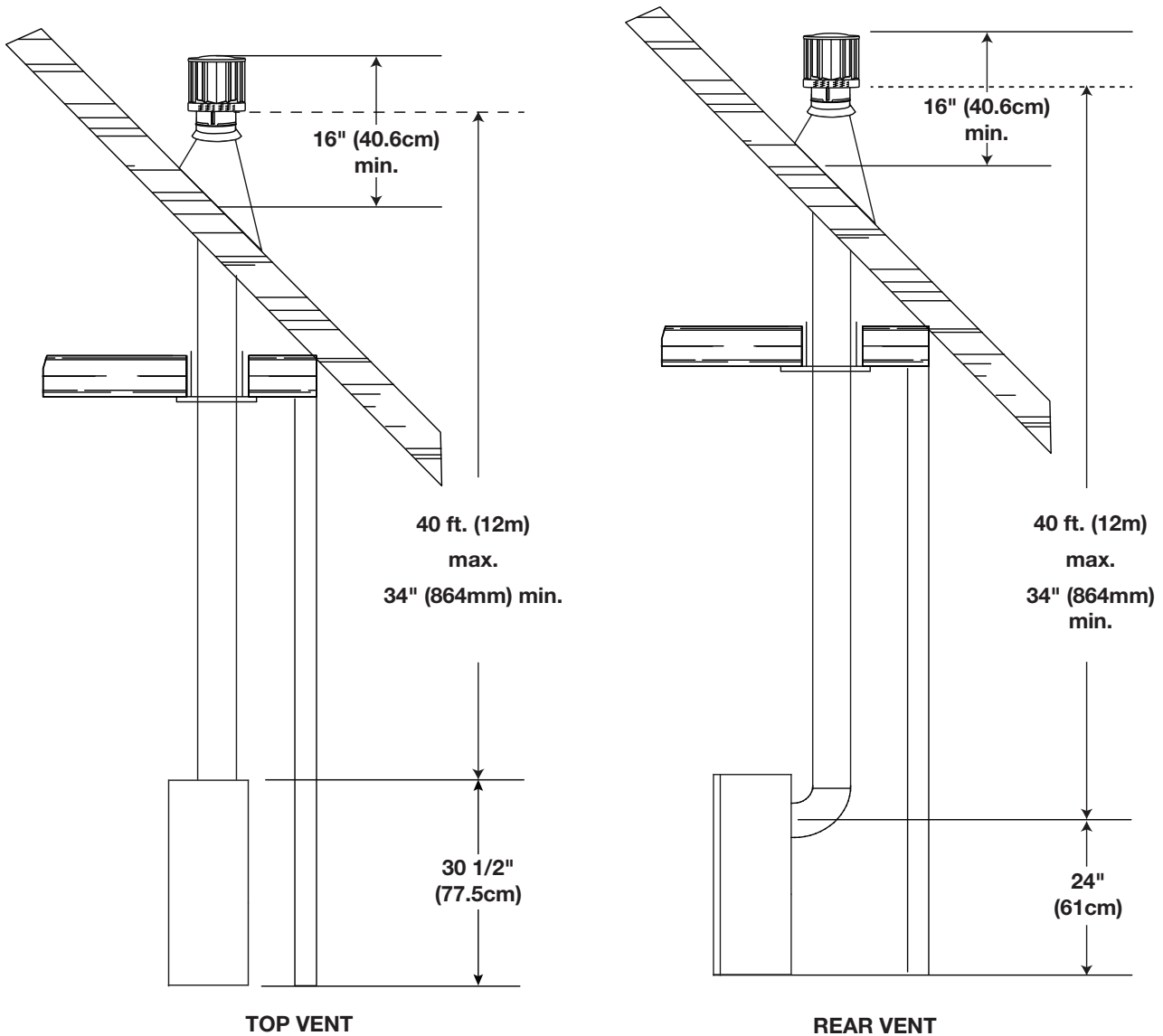
Do not allow the inside liner to bunch up on horizontal or vertical runs and elbows. Keep it pulled tight. A 1 1/4" (31.8mm) air gap all around between the inner liner and outer liner is required for safe operation.

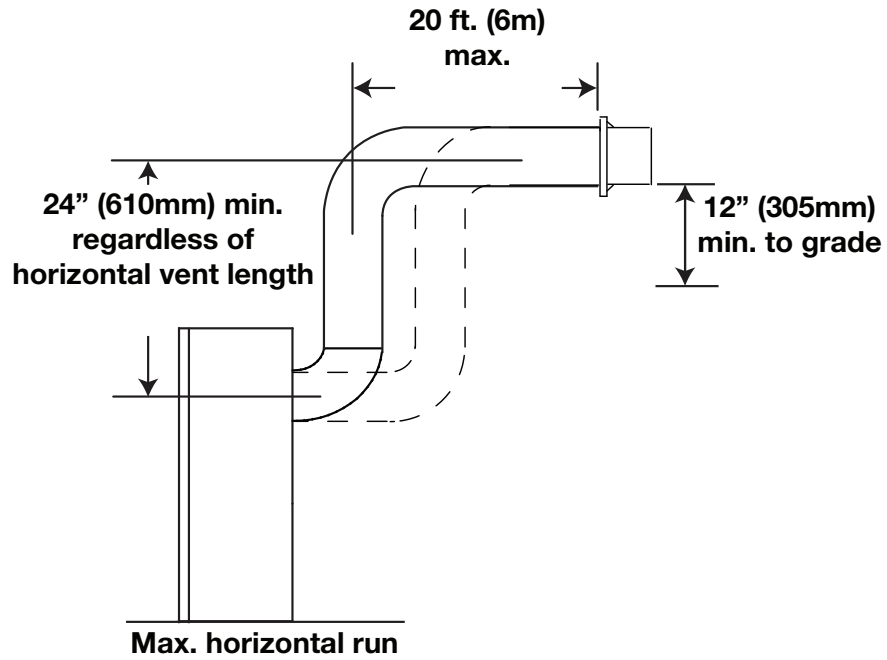
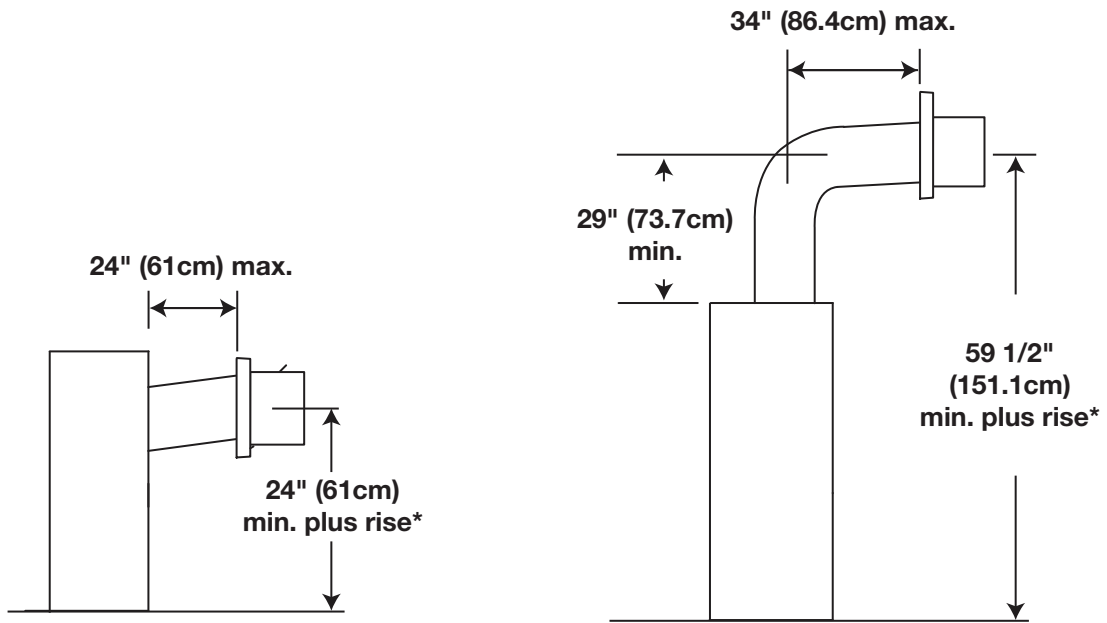
**Use a firestop when penetrating interior walls, floor or ceiling.**

**A terminal shall not terminate directly above a sidewalk or paved driveway which is located between two single family dwellings and serves both dwellings. Local codes or regulations may require different clearances.**

Use only Wolf Steel, Simpson Dura-Vent, Selkirk Direct Temp or American Metal Amerivent venting components. Minimum and maximum vent lengths, for both horizontal and vertical installations, and air terminal locations for either systems are set out in this manual and must be adhered to.

## 2.1 typical vent installations





\* See "venting" section.

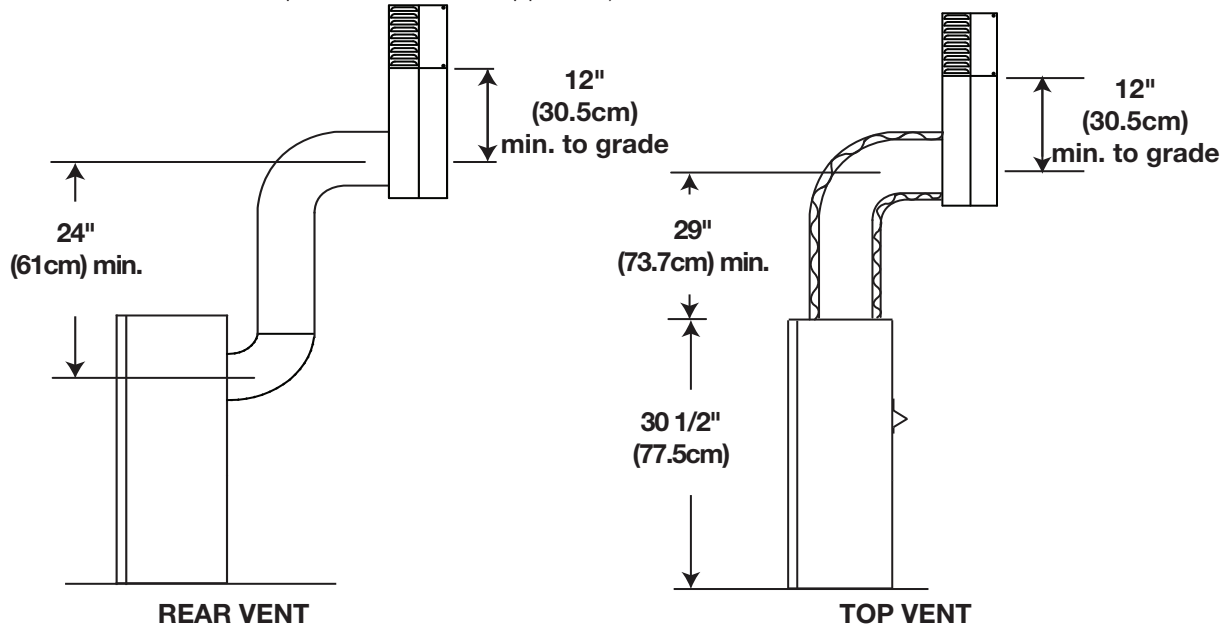
# venting

## 2.2 special vent installations

### 2.2.1 periscope termination

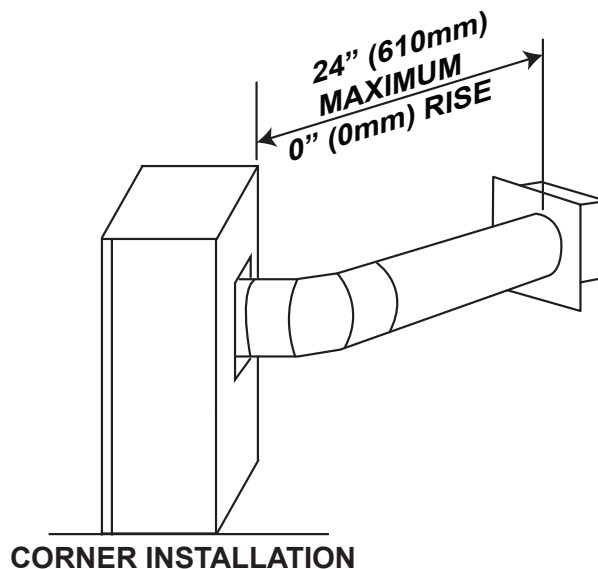
Use the periscope kit to locate the air termination above grade. The periscope must be installed so that when final grading is completed, the bottom air slot is located a minimum 12" (305mm) above grade. The maximum allowable vent length (including both rise and run) is 10' (3m) for a fireplace and 8' (2m) for a stove. An insulation sleeve is illustrated in the top vent image below, use only when supplied with the appliance.

(The insulation sleeve is not required with a stove appliance)

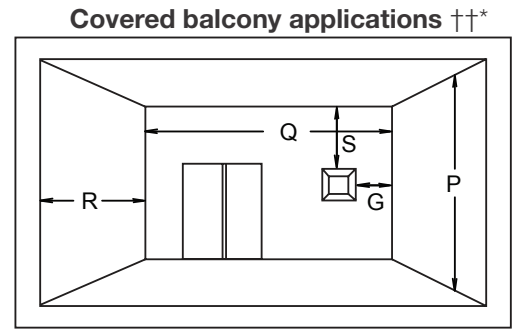
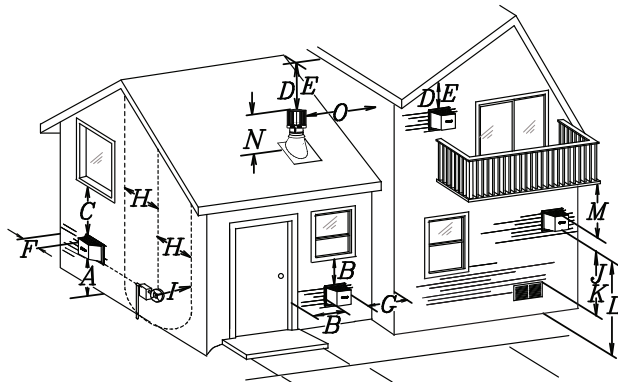


### 2.2.2 corner termination

The maximum vent length for a corner installation is 24" (61cm).



2.3 vent terminal clearances



$Q_{MIN} = 3 \text{ feet (0.9m)}$      $R_{MAX} = 2 \times Q_{ACTUAL}$      $R_{MAX} \leq 15 \text{ feet (4.6m)}$

**note:**  
Wall terminals are for illustration purposes only. Size and shapes may vary.

| INSTALLATIONS |                           |                         |  |
|---------------|---------------------------|-------------------------|--|
|               | CANADA                    | U.S.A.                  |  |
| <b>A</b>      | 12" (30.5cm)              | 12" (30.5cm)            | Clearance above grade, veranda porch, deck or balcony.   |
| <b>B</b>      | 12" (30.5cm) <sup>Δ</sup> | 9" (229mm) <sup>Δ</sup> | Clearance to windows or doors that open.   |
| <b>C</b>      | 12" (30.5cm)*             | 12" (30.5cm)*           | Clearance to permanently closed windows.   |
| <b>D</b>      | 18" (45.7cm)**            | 18" (45.7cm)**          | Vertical clearance to ventilated soffits located above the terminal within a horizontal distance of 2' (0.6m) from the center line of the terminal.                |
| <b>E</b>      | 12" (30.5cm)**            | 12" (30.5cm)**          | Clearance to unventilated soffit.  |
| <b>F</b>      | 0" (0mm)                  | 0" (0mm)                | Clearance to an outside corner wall.   |
| <b>G</b>      | 0" (0mm)***               | 0" (0mm)***             | Clearance to an inside <b>non</b> -combustible corner wall or protruding <b>non</b> -combustible obstructions (chimney, etc.).                                     |
|               | 2" (51mm)***              | 2" (51mm)***            | Clearance to an inside combustible corner wall or protruding combustible obstructions (vent chase, etc.).  |
| <b>H</b>      | 3' (0.9m)                 | 3' (0.9m)****           | Clearance to each side of the center line extended above the meter / regulator assembly to a maximum vertical distance of 15' (4.6m).                              |
| <b>I</b>      | 3' (0.9m)                 | 3' (0.9m)****           | Clearance to a service regulator vent outlet.  |
| <b>J</b>      | 12" (30.5cm)              | 9" (229mm)              | Clearance to a non-mechanical air supply inlet to the building or a combustion air inlet to any other appliance.   |
| <b>K</b>      | 6' (1.8m)                 | 3' (0.9m) †             | Clearance to a mechanical air supply inlet.  |
| <b>L</b>      | 7' (2.1m) ‡               | 7' (2.1m) ****          | Clearance above a paved sidewalk or paved driveway located on public property.   |
| <b>M</b>      | 12" (30.5cm) ††           | 12" (30.5cm)****        | Clearance under a veranda, porch, deck or overhang.  |
| <b>N</b>      | 16" (40.6cm)              | 16" (40.6cm)            | Clearance above the roof.  |
| <b>O</b>      | 2' (0.6m) †*              | 2' (0.6m) †*            | Clearance from an adjacent wall including neighbouring buildings.  |
| <b>P</b>      | 8' (2.4m)                 | 8' (2.4m)               | Roof must be <b>non</b> -combustible without openings.   |
| <b>Q</b>      | 3' (0.9m)                 | 3' (0.9m)               | See chart for wider wall dimensions.   |
| <b>R</b>      | 6' (1.8m)                 | 6' (1.8m)               | See chart for deeper wall dimensions. The terminal shall not be installed on any wall that has an opening between the terminal and the open side of the structure. |
| <b>S</b>      | 12" (30.5cm)              | 12" (30.5cm)            | Clearance under a covered balcony  |

Δ The terminal shall not be located less than 6 feet under a window that opens on a horizontal plane in a structure with three walls and a roof.

\* Recommended to prevent condensation on windows and thermal breakage

\*\* It is recommended to use a heat shield and to maximize the distance to vinyl clad soffits.

\*\*\* The periscope requires a minimum 18 inches clearance from an inside corner.

\*\*\*\* This is a recommended distance. For additional requirements, check local codes.

† 3 feet above if within 10 feet horizontally.

‡ A vent shall not terminate where it may cause hazardous frost or ice accumulations on adjacent property surfaces.

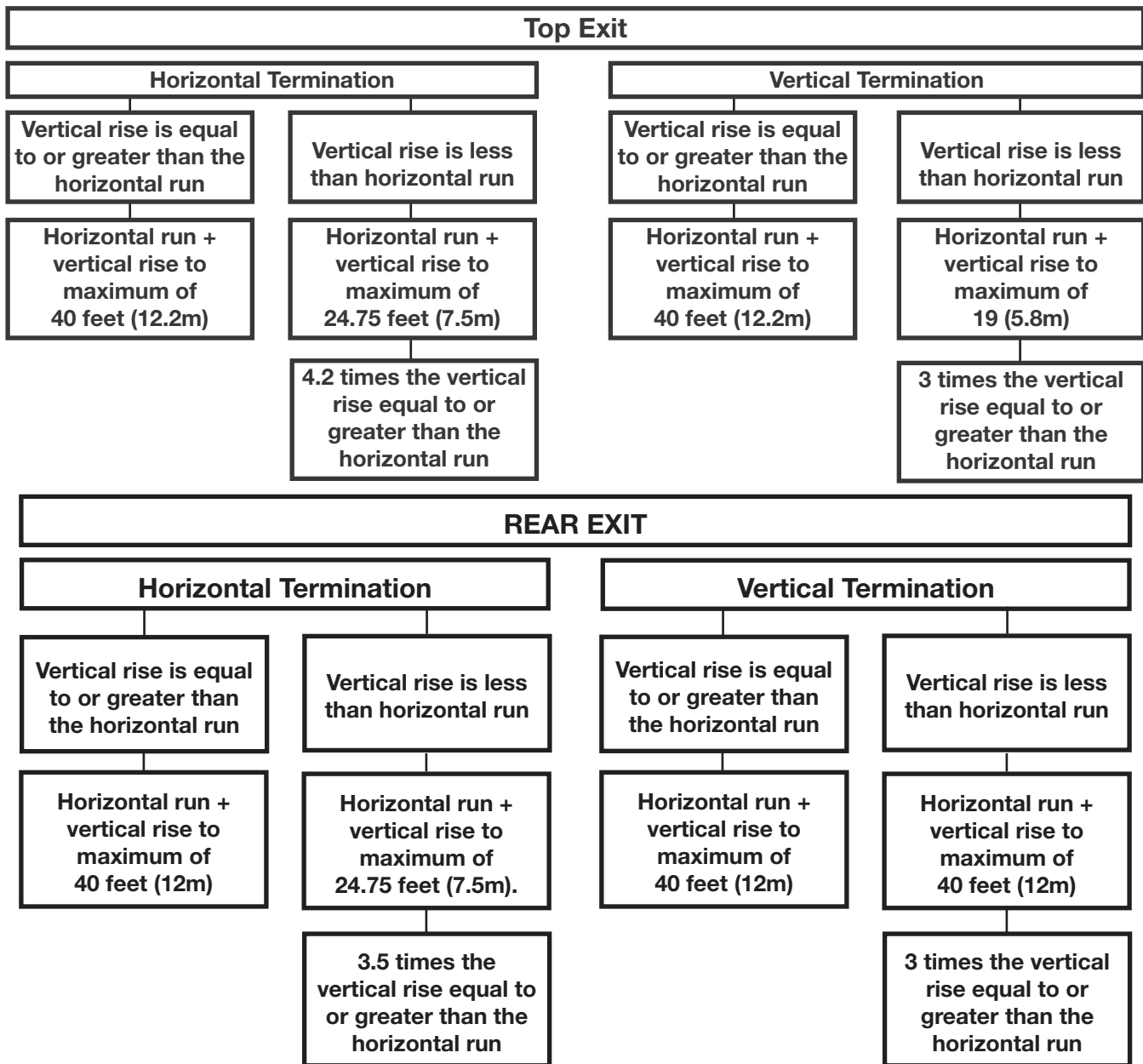
†† Permitted only if the veranda, porch, or deck is fully open on a minimum of two sides beneath the floor.

†\* Recommended to prevent recirculation of exhaust products. For additional requirements, check local codes.

††\* Permitted only if the balcony is fully open on a minimum of one side.

**note:**  
Clearances are to be in accordance with local installation codes and the requirements of the gas supplier. In their absence, clearances are to be as listed above and are based on national codes.

## 2.4 venting application flow chart



## 2.5 definitions

For the following symbols used in the venting calculations and examples are:

> - greater than

≥ - equal to or greater than

< - less than

≤ - equal to or less than

$H_T$  - total of both horizontal vent lengths ( $H_r$ ) and offsets ( $H_o$ ) in feet

$H_R$  - combined horizontal vent lengths in feet

$H_{O_1}$  - offset factor: .03 (total degrees of offset - 90°\*) in feet

$H_{O_2}$  - offset factor: .03 (total degrees of offset - 135°\*) in feet

$V_T$  - combined vertical vent lengths in feet

## 2.6 elbow vent length values

|      | Feet | Inches | Millimeters |
|------|------|--------|-------------|
| 1°   | 0.03 | 0.5    | 12.7        |
| 15°  | 0.45 | 6.0    | 152.4       |
| 30°  | 0.9  | 11.0   | 279.4       |
| 45°  | 1.35 | 16.0   | 406.4       |
| 90°* | 2.7  | 32.0   | 812.8       |

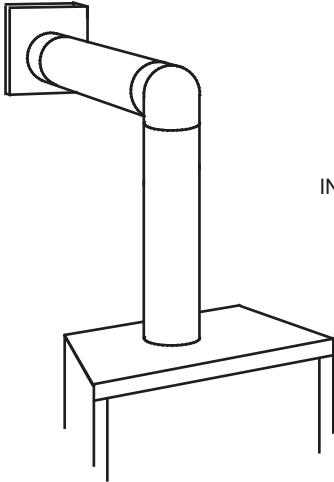
\* The first 90° offset has a zero value and is shown in the formula as - 90°

\* The first 45° and 0° offset have a zero value and is shown in the formula as -45° and -90° respectively or -135° when combined **(for 45° exit only)**.

## 2.7 top exit horizontal termination

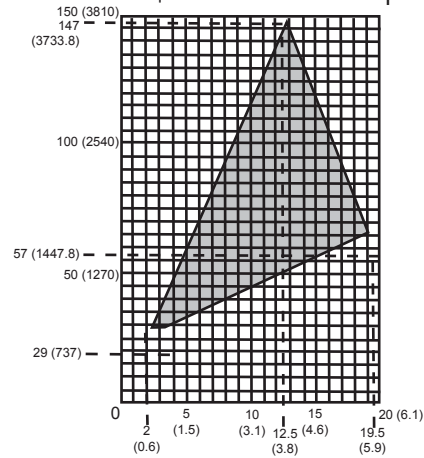
$$(H_T) > (V_T)$$

Simple venting configuration (only one 90° elbow)



REQUIRED  
VERTICAL RISE IN  
INCHES (MILLIMETERS)  $V_T$

See graph to determine the required vertical rise  $V_T$  for the required horizontal run  $H_T$ .



HORIZONTAL VENT RUN PLUS OFFSET IN FEET (METERS)  $H_T$

The shaded area within the lines represents acceptable values for  $H_T$  and  $V_T$

For vent configurations requiring more than one 90° elbow, the following formulas apply:

**Formula 1:**  $H_T \leq 4.2 V_T$

**Formula 2:**  $H_T + V_T \leq 24.75$  feet (7.5m)

**Example:**

$$V_1 = V_T = 6 \text{ FT (1.8m)}$$

$$H_1 = 3 \text{ FT (0.9m)}$$

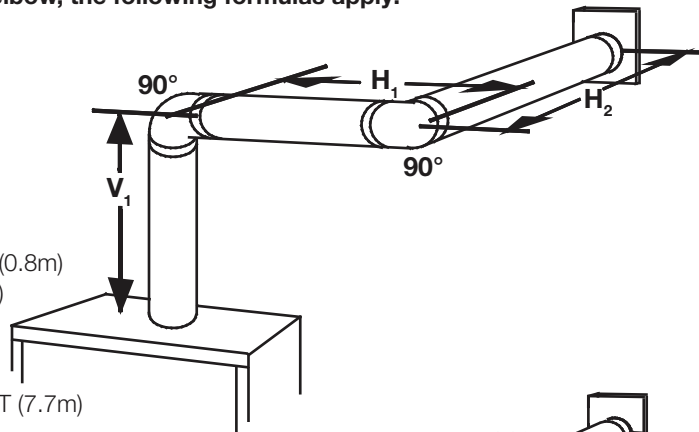
$$H_2 = 5 \text{ FT (1.5m)}$$

$$H_R = H_1 + H_2 = 3 \text{ FT (0.9m)} + 5 \text{ FT (1.5m)} = 8 \text{ FT (2.4m)}$$

$$H_O = .03 \text{ (two } 90^\circ \text{ elbows - } 90^\circ) = .03 \text{ (} 180^\circ - 90^\circ) = 2.7 \text{ FT (0.8m)}$$

$$H_T = H_R + H_O = 8 \text{ FT (2.4m)} + 2.7 \text{ FT (0.8m)} = 10.7 \text{ FT (3.3m)}$$

$$H_T + V_T = 10.7 \text{ FT (3.3m)} + 6 \text{ FT (1.8m)} = 16.7 \text{ FT (5.1m)}$$



**Formula 1:**  $H_T \leq 4.2 V_T$

$$4.2 V_T = 4.2 \text{ FT (1.3m)} \times 6 \text{ FT (1.8m)} = 25.2 \text{ FT (7.7m)}$$

$$10.7 \text{ FT (3.3m)} \leq 25.2 \text{ FT (7.7m)}$$

**Formula 2:**  $H_T + V_T \leq 24.75$  FT (7.5m)

$$16.7 \text{ FT (5.1m)} \leq 24.75 \text{ FT (7.5m)}$$

Since both formulas are met, this vent configuration is acceptable.

**Example:**

$$V_1 = 4 \text{ FT (1.2m)}$$

$$V_2 = 1.5 \text{ FT (0.5m)}$$

$$V_T = V_1 + V_2 = 4 \text{ FT (1.2m)} + 1.5 \text{ FT (0.5m)} = 5.5 \text{ FT (1.7m)}$$

$$H_1 = 2 \text{ FT (0.6m)}$$

$$H_2 = 1 \text{ FT (0.3m)}$$

$$H_3 = 1 \text{ FT (0.3m)}$$

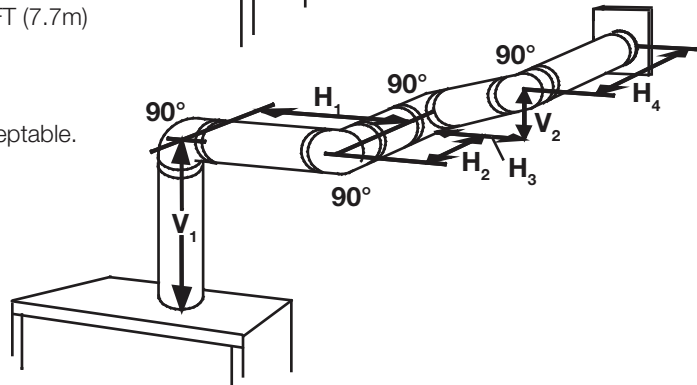
$$H_4 = 1.5 \text{ FT (0.5m)}$$

$$H_R = H_1 + H_2 + H_3 + H_4 = 2 \text{ FT (0.6m)} + 1 \text{ FT (0.3m)} + 1 \text{ FT (0.3m)} + 1.5 \text{ FT (0.5m)} = 5.5 \text{ FT (1.7m)}$$

$$H_O = .03 \text{ (four } 90^\circ \text{ elbows - } 90^\circ) = .03 \text{ (} 360^\circ - 90^\circ) = 8.1 \text{ FT (2.5m)}$$

$$H_T = H_R + H_O = 5.5 \text{ FT (1.7m)} + 8.1 \text{ FT (2.5m)} = 13.6 \text{ FT (4.2m)}$$

$$H_T + V_T = 13.6 \text{ FT (4.2m)} + 5.5 \text{ FT (1.7m)} = 19.1 \text{ FT (5.8m)}$$



**Formula 1:**  $H_T \leq 4.2 V_T$

$$4.2 V_T = 4.2 \text{ FT (1.3m)} \times 5.5 \text{ FT (1.7m)} = 23.1 \text{ FT (7m)}$$

$$13.6 \text{ FT (4.2m)} \leq 23.1 \text{ FT (7m)}$$

**Formula 2:**  $H_T + V_T \leq 24.75$  FT (7.5m)

$$19.1 \text{ FT (5.8m)} \leq 24.75 \text{ FT (7.5m)}$$

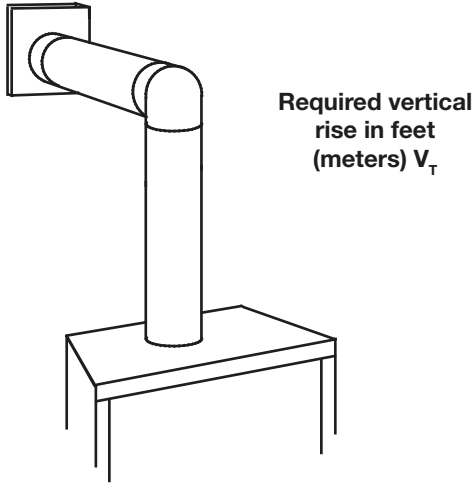
Since both formulas are met, this vent configuration is acceptable.



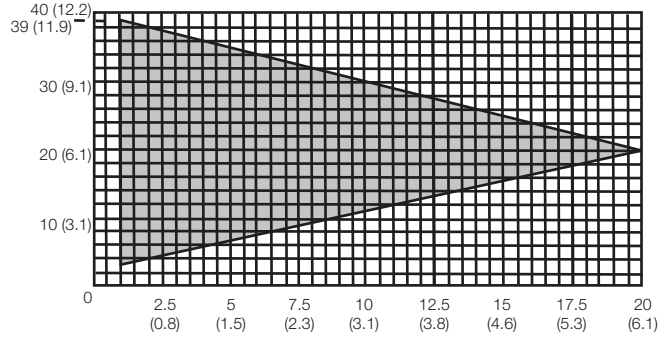
2.8 top exit horizontal termination

$$(H_T) \leq (V_T)$$

Simple venting configuration (only one 90° elbow)



See graph to determine the required vertical rise  $V_T$  for the required horizontal run  $H_T$ .



Horizontal vent run plus offset in feet (meters)  $H_T$

The shaded area within the lines represents acceptable values for  $H_T$  and  $V_T$

For vent configurations requiring more than one 90° elbow, the following formulas apply:

Formula 1:  $H_T \leq V_T$

Formula 2:  $H_T + V_T \leq 40$  feet (12.2m)

Example:

$V_1 = 3$  ft (0.9m)

$V_2 = 8$  ft (2.4m)

$V_T = V_1 + V_2 = 3$  ft (0.9m) + 8 ft (2.4m) = 11 ft (3.4m)

$H_1 = 2.5$  ft (0.8m)

$H_2 = 2$  ft (0.6m)

$H_R = H_1 + H_2 = 2.5$ ft (0.8m) + 2 ft (0.6m) = 4.5 ft (1.4m)

$H_O = .03$  (two 90° elbows - 90°) = .03 (180° - 90°) = 5.4 ft (1.7m)

$H_T = H_R + H_O = 4.5$  ft (1.4m) + 5.4 ft (1.6m) = 9.9 ft (3m)

$H_T + V_T = 9.9$  ft (3m) + 11 ft (3.4m) = 20.9 ft (6.4m)

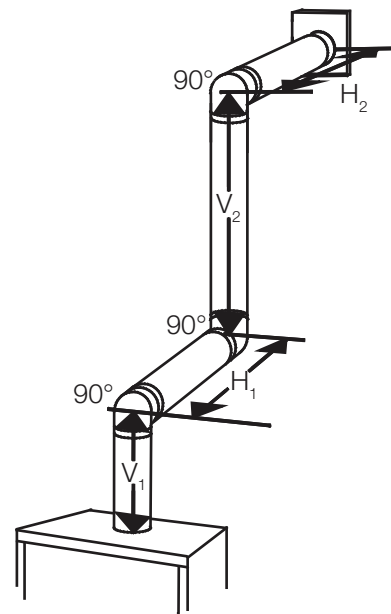
Formula 1:  $H_T \leq V_T$

9.9 ft (3m)  $\leq$  11 ft (3.4m)

Formula 2:  $H_T + V_T \leq 40$  ft (12.2m)

20.9 ft (6.4m)  $\leq$  40 ft (12.2m)

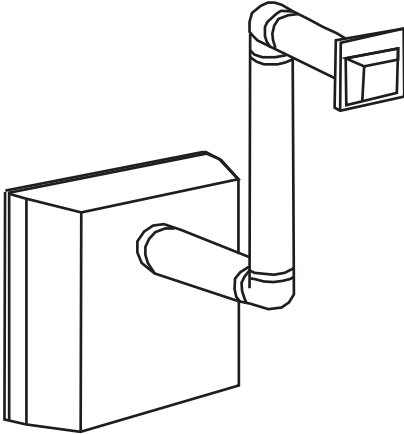
Since both formulas are met, this vent configuration is acceptable.



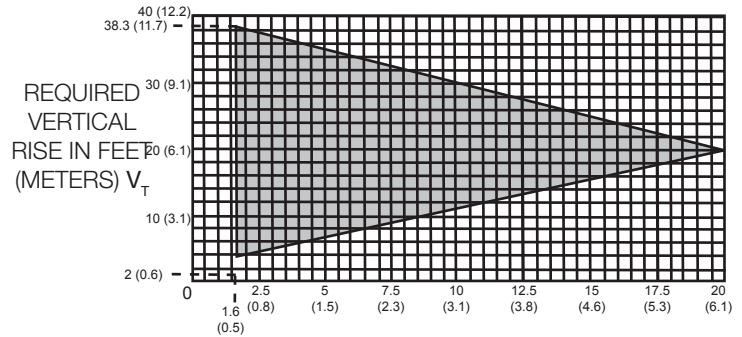
## 2.9 rear exit horizontal termination

$$(H_T) \leq (V_T)$$

Simple venting configuration  
(only two 90° elbows)



See graph to determine the required vertical rise  $V_T$  for the required horizontal run  $H_T$ .



The shaded area within the lines represents acceptable values for  $H_T$  and  $V_T$ .

For vent configurations requiring more than two 90° elbows, the following formulas apply:

Formula 1:  $H_T \leq V_T$

Formula 2:  $H_T + V_T \leq 40$  feet (12.2m)

Example:

$$V_1 = 9 \text{ FT (2.7m)}$$

$$V_2 = 6 \text{ FT (1.8m)}$$

$$V_T = V_1 + V_2 = 9\text{FT (2.7m)} + 6\text{FT (1.8m)} = 15\text{FT (4.6m)}$$

$$H_1 = 3 \text{ FT (0.9m)}$$

$$H_2 = 2 \text{ FT (0.6m)}$$

$$H_3 = 1.5 \text{ FT (0.5m)}$$

$$H_R = H_1 + H_2 + H_3 = 3\text{FT (0.9m)} + 2\text{FT (0.6m)} + 1.5\text{FT (0.5m)} = 6.5\text{FT (2m)}$$

$$H_O = .03 (\text{four } 90^\circ \text{ elbows} - 90^\circ) = .03 (360^\circ - 90^\circ) = 8.1 \text{ FT (2.5m)}$$

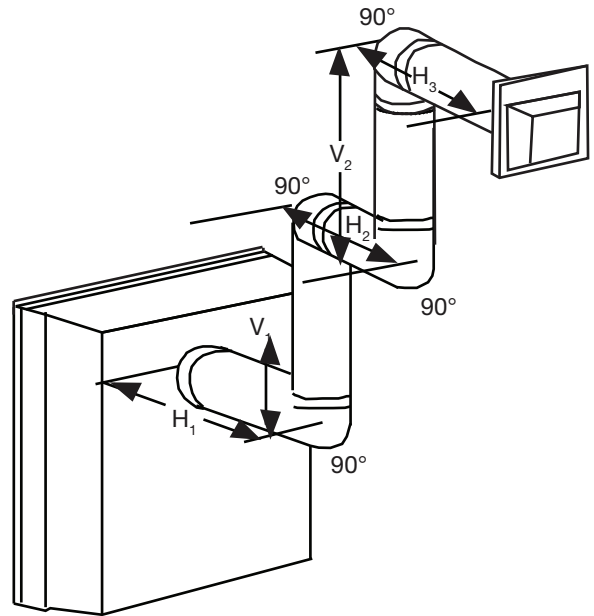
$$H_T = H_R + H_O = 6.5\text{FT (2m)} + 8.1\text{FT (2.5m)} = 14.6\text{FT (4.5m)}$$

$$H_T + V_T = 14.6\text{FT (4.5m)} + 15\text{FT (4.6m)} = 29.6 \text{ FT (9m)}$$

Formula 1:  $H_T \leq V_T$   
 $14.6 \text{ FT (4.5m)} \leq 15 \text{ FT (4.6m)}$

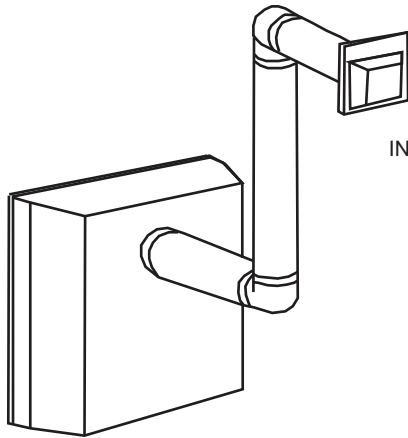
Formula 2:  $H_T + V_T \leq 40 \text{ FT (12.2m)}$   
 $29.6 \text{ FT (9m)} \leq 40 \text{ FT (12.2m)}$

Since both formulas are met, this vent configuration is acceptable.



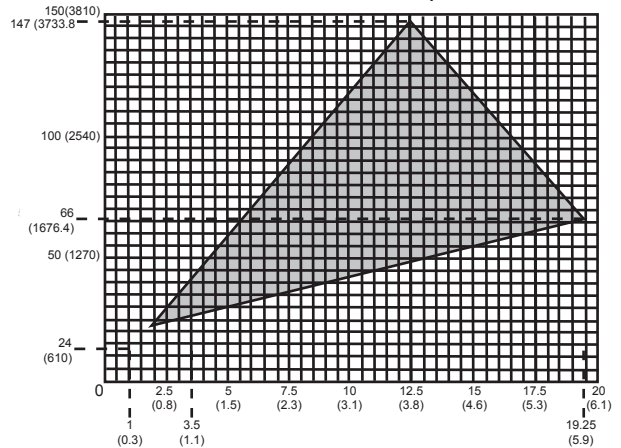
$(H_T) > (V_T)$

**Simple venting configuration  
(only two 90° elbows)**



REQUIRED  
VERTICAL RISE IN  
INCHES (MILLIMETERS)  $V_T$

See graph to determine the required vertical rise  $V_T$  for the required horizontal run  $H_T$ .



HORIZONTAL VENT RUN PLUS OFFSET IN FEET (METERS)  $H_T$

The shaded area within the lines represents acceptable values for  $H_T$  and  $V_T$

For vent configurations requiring more than two 90° elbows, the following formulas apply:

**Formula 1:**  $H_T \leq 3.5V_T$

**Formula 2:**  $H_T + V_T \leq 24.75$  feet (7.5m)

**Example:**

$V_1 = 4$  FT (1.2m)

$V_2 = 1.5$  FT (0.5m)

$V_T = V_1 + V_2 = 4$  FT (1.2m) + 1.5 FT (0.5m) = 5.5 FT (1.7m)

$H_1 = 2$  FT (0.6m)

$H_2 = 1$  FT (0.3m)

$H_3 = 1$  FT (0.3m)

$H_4 = 1.5$  FT (0.5m)

$H_R = H_1 + H_2 + H_3 + H_4 = 2$  FT (0.6m) + 1 FT (0.3m) + 1 FT (0.3m) + 1.5 FT (0.5m) = 5.5 FT (1.7m)

$H_O = .03$  (four 90° elbows + one 45° elbow - 90°)

= .03 (90 + 90 + 90 + 90 + 45 - 90) = 9.45 FT (2.9m)

$H_T = H_R + H_O = 5.5$  FT (1.7m) + 9.45 FT (2.9m) = 14.95 FT (4.6m)

$H_T + V_T = 14.95$  FT (4.6m) + 5.5 FT (1.7m) = 20.45 FT (6.2m)

**Formula 1:**  $H_T \leq 3.5V_T$

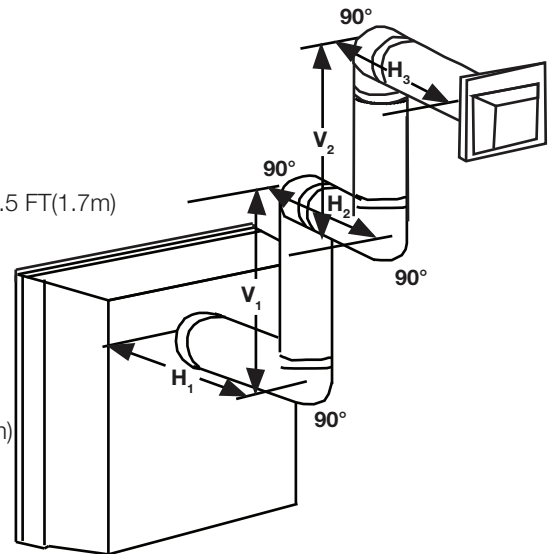
$3.5V_T = 3.5$  FT (1.1m) x 5.5 FT (1.7m) = 19.25 FT (5.9m)

14.95 FT (4.6m)  $\leq$  19.25 FT (5.9m)

**Formula 2:**  $H_T + V_T \leq 24.75$  FT (7.5m)

20.45 FT (6.2m)  $\leq$  24.75 FT (7.5m)

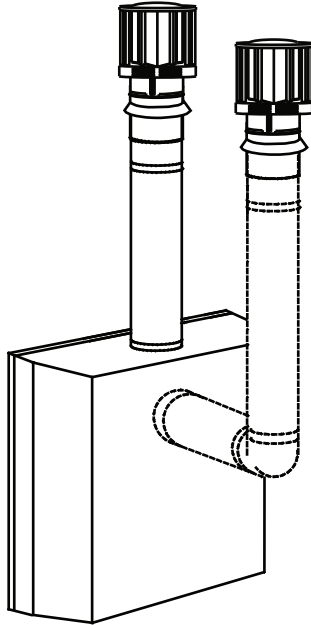
Since both formulas are met, this vent configuration is acceptable.



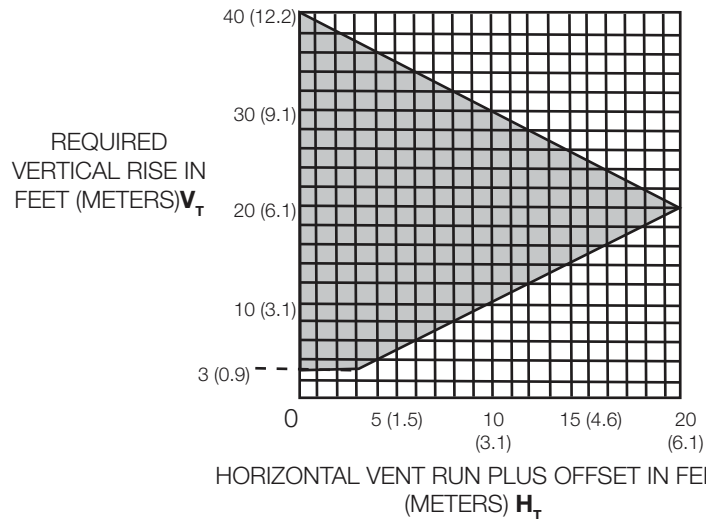
## 2.10 top or rear exit vertical termination

$$(H_T) \leq (V_T)$$

Simple venting configurations.



See graph to determine the required vertical rise  $V_T$  for the required horizontal run  $H_T$ .



The shaded area within the lines represents acceptable values for  $H_T$  and  $V_T$ .

For vent configurations requiring one or more 90° elbows (top exit) or one or more 90° elbows (rear exit), the following formulas apply:

**Formula 1:**  $H_T \leq V_T$

**Formula 2:**  $H_T + V_T \leq 40$  feet (12.2m)

**Example:**

$$V_1 = 5 \text{ FT (1.5m)}$$

$$V_2 = 6 \text{ FT (1.8m)}$$

$$V_3 = 10 \text{ FT (3.1m)}$$

$$V_T = V_1 + V_2 + V_3 = 5\text{FT (1.5m)} + 6\text{FT (1.8m)} + 10\text{FT (3.1m)} = 21 \text{ FT (6.4m)}$$

$$H_1 = 8 \text{ FT (2.4m)}$$

$$H_2 = 2.5 \text{ FT (0.8m)}$$

$$H_R = H_1 + H_2 = 8\text{FT (2.4m)} + 2.5\text{FT (0.8m)} = 10.5\text{FT (3.2m)}$$

$$H_O = .03 \text{ (four } 90^\circ \text{ elbows} - 90^\circ)$$

$$= .03 \text{ (} 360^\circ - 90^\circ) = 8.1 \text{ FT (2.5m)}$$

$$H_T = H_R + H_O = 10.5\text{FT (3.2m)} + 8.1\text{FT (2.5m)} = 18.6\text{FT (5.7m)}$$

$$H_T + V_T = 18.6\text{FT (5.7m)} + 21\text{FT (6.4m)} = 39.6\text{FT (12.1m)}$$

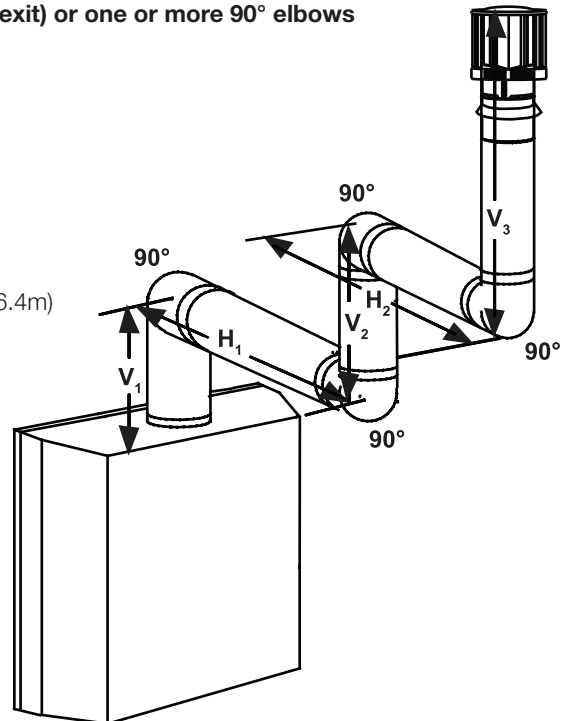
**Formula 1:**  $H_T \leq 3.5V_T$

$$18.6 \text{ FT (5.7m)} \leq 21 \text{ FT (6.4m)}$$

**Formula 2:**  $H_T + V_T \leq 40 \text{ FT (12.2m)}$

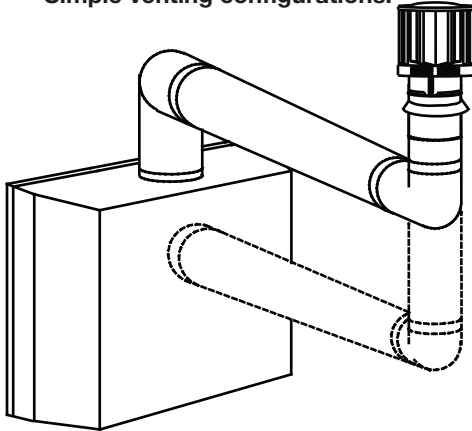
$$39.6\text{FT (12.1m)} \leq 40 \text{ FT (12.2m)}$$

Since both formulas are met, this vent configuration is acceptable.

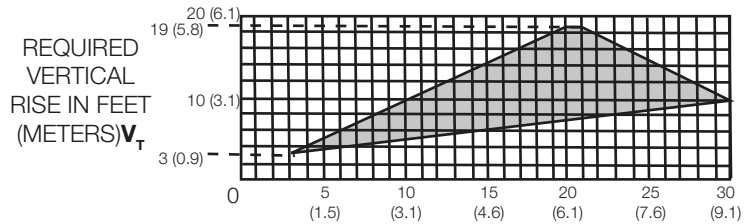


$(H_T) > (V_T)$

Simple venting configurations.



See graph to determine the required vertical rise  $V_T$  for the required horizontal run  $H_T$ .



HORIZONTAL VENT RUN PLUS OFFSET IN FEET (METERS)  $H_T$

The shaded area within the lines represents acceptable values for  $H_T$  and  $V_T$

For vent configurations requiring more than two 90° elbows (top exit) or one 90° elbow (rear exit), the following formulas apply:

**Formula 1:**  $H_T \leq 3 V_T$

**Formula 2:**  $H_T + V_T \leq 40$  feet (12.2m)

**Example:**

$V_1 = 2$  FT (0.6m)

$V_2 = 1$  FT (0.3m)

$V_3 = 1.5$  FT (0.5m)

$V_T = V_1 + V_2 + V_3 = 2$  FT (0.6m) + 1 FT (0.3m) + 1.5 FT (0.5m) = 4.5 FT (1.4m)

$H_1 = 6$  FT (1.8m)

$H_2 = 2$  FT (0.6m)

$H_R = H_1 + H_2 = 6$  FT (1.8m) + 2 FT (0.6m) = 8 FT (2.4m)

$H_O = .03$  (four 90° elbows - 90°)

= .03 (360° - 90°) = 8.1 FT (2.5m)

$H_T = H_R + H_O = 8$  FT (2.4m) + 8.1 FT (2.5m) = 16.1 FT (4.9m)

$H_T + V_T = 16.1$  FT (4.9m) + 4.5 FT (1.4m) = 20.6 FT (6.3m)

**Formula 1:**  $H_T \leq 3.5 V_T$

$3.5 V_T = 3$  FT (0.9m) x 4.5 FT (1.4m) = 13.5 FT (4.1m)

16.1 FT (4.9m)  $\leq$  13.5 FT (4.1m)

Since this formula is not met, this vent configuration is **unacceptable**.

**Formula 2:**  $H_T + V_T \leq 40$  FT (12.2m)

16.1 FT (4.9m)  $\leq$  13.5 (4.1m)

Since only formula 2 is met, this vent configuration is unacceptable and a new fireplace location or vent configuration will need to be established to satisfy both formulas.

**Example:**

$V_1 = 1.5$  FT (0.5m)

$V_2 = 5$  FT (1.5m)

$V_T = V_1 + V_2 = 1.5$  FT (0.5m) + 5 FT (1.5m) = 6.5 FT (2m)

$H_1 = 1$  FT (0.3m)

$H_2 = 1$  FT (0.3m)

$H_3 = 10.75$  FT (3.3m)

$H_R = H_1 + H_2 + H_3 = 1$  FT (0.3m) + 1 FT (0.3m) + 10.75 FT (3.3m) = 12.75 FT (3.9m)

$H_O = .03$  (four 90° elbows + one 45° elbow - 90°)

= .03 (360° + 45° - 90°) = 6.75 FT (2.1m)

$H_T = H_R + H_O = 12.75$  FT (3.9m) + 6.75 FT (2.1m) = 19.5 FT (5.9m)

$H_T + V_T = 19.5$  FT (5.9m) + 6.5 FT (2m) = 26 FT (7.9m)

**Formula 1:**

$H_T \leq 3 V_T$

$3 V_T = 3$  FT (0.9m) x 6.5 FT (2m) = 19.5 FT (5.9m)

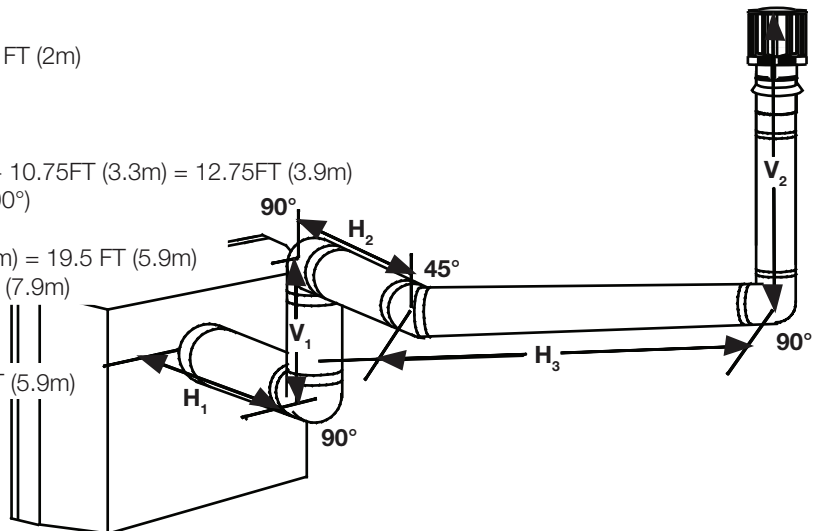
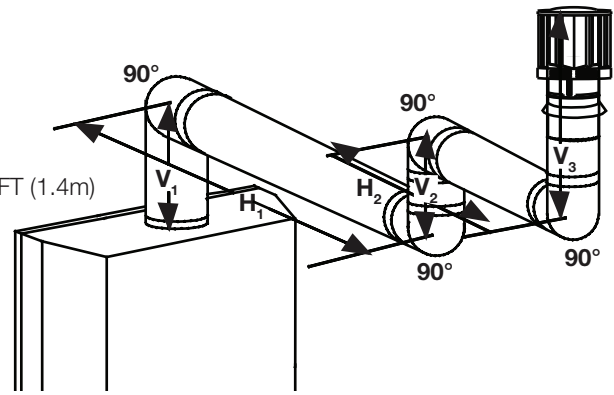
19.5 FT (5.9m) = 19.5 FT (5.9m)

**Formula 2:**

$H_T + V_T \leq 40$  FT (12.2m)

26 FT (7.9m)  $\leq$  40 FT (12.2m)

Since both formulas are met, this vent configuration is acceptable.



## 3.0 installation preparation

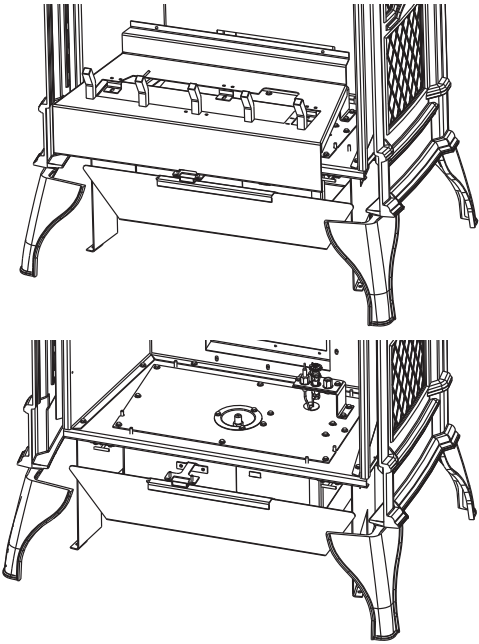
### 3.1 orifice replacement

#### REAR VENT TERMINATION:

Rear exit installations which terminate horizontally and have no vertical vent runs must have the BTU input reduced to 21,000 BTU/hr by changing the orifice (supplied).

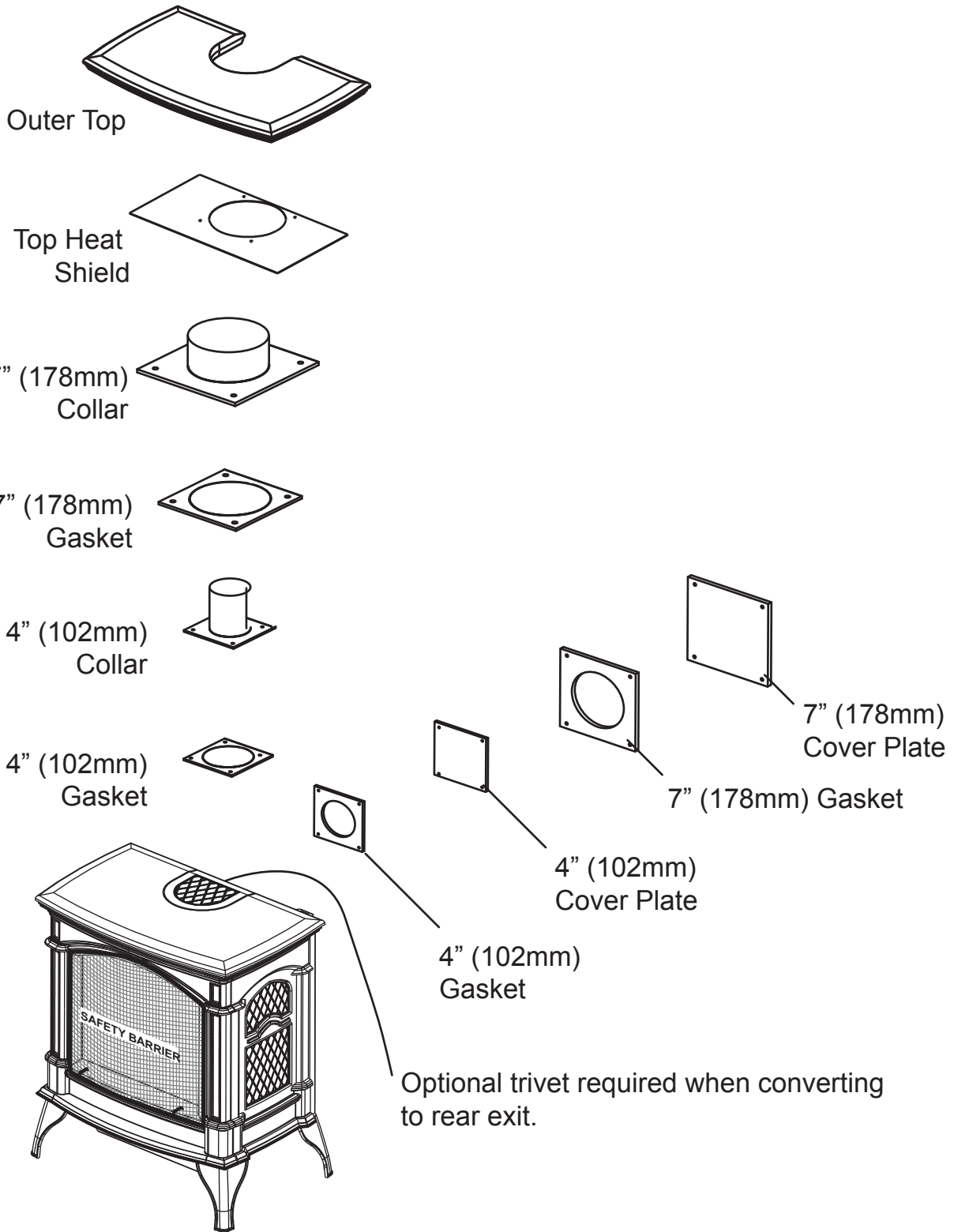
In order to access the orifice, the log support secured by two screws, must be removed.

Care should be taken not to damage the manifold gas pipe. When removing the orifice, using a socket wrench, a back-up wrench must be used on the manifold, located below the housing, to ensure that the aluminum tubing does not twist or kink.



### 3.2 changing a top vent to a rear vent

In order to convert the venting configuration from a top exit to a rear exit, remove components as illustrated. When reinstalling in the alternate position: Check gaskets for tears, replace if necessary to ensure a proper seal.



## 4.0 installation

### ! WARNING

- Ensure to unpack all loose materials from inside the firebox prior to connecting the gas and electrical supply
- **If your appliance is supplied with a remote, ensure the remote receiver is in the "OFF" position prior to connecting the gas and electrical supply to the appliance.**
- For safe and proper operation of the appliance, follow the venting instructions exactly.
- **The appliance exhaust flue collar must be sealed using Mill Pac.** All exhaust and intake vent pipe joints must be sealed using red RTV high temp silicone sealant (W573-0002) (not supplied) or black high temp Mill Pac (W573-0007) (not supplied).
- If using pipe clamps to connect rigid vent components, a minimum of 3 screws must also be used to ensure the connection cannot slip off.
- Do not clamp the flexible vent pipe.
- Risk of fire, explosion, or asphyxiation. Improper support of the entire venting system may allow vent to sag and separate. Use vent run supports and connect vent sections per installation instructions.
- Risk of fire, do not allow loose materials or insulation to touch the vent pipe. Remove insulation to allow for the installation of the attic shield and to maintain clearances to combustibles.
- Do not fill the space between the vent pipe and enclosure with any type of material. Do not pack insulation or combustibles between ceiling firestops. Always maintain specified clearances around venting and firestop systems. Install wall shields and firestops as specified. Failure to keep insulation or other materials away from vent pipe may cause fire.
- **For gas stoves only:** If the appliance is installed directly on carpeting, vinyl tile, or other combustible material other than wood flooring, the appliance shall be installed on a metal or wood panel extending the full width and depth, unless otherwise tested.

For optimum performance, it is recommended that all horizontal runs have a minimum 1/4" (6mm) rise per foot when venting. For safe and proper operation of the appliance, follow the venting instructions exactly.

### 4.1 minimum clearance to combustibles

#### TDS60-1:

**HORIZONTAL VENT SECTIONS:** A minimum clearance of 2" (51mm) at the top and 1" (25mm) at the bottom and sides of the vent pipe on all horizontal runs is required.

**VERTICAL VENT SECTIONS:** A minimum of 1" (25mm) all around the vent pipe on all vertical runs to combustibles is required.

#### TS60-1:

A minimum of 1" (25mm) all around the B vent pipe on both horizontal and vertical runs to combustibles is required.

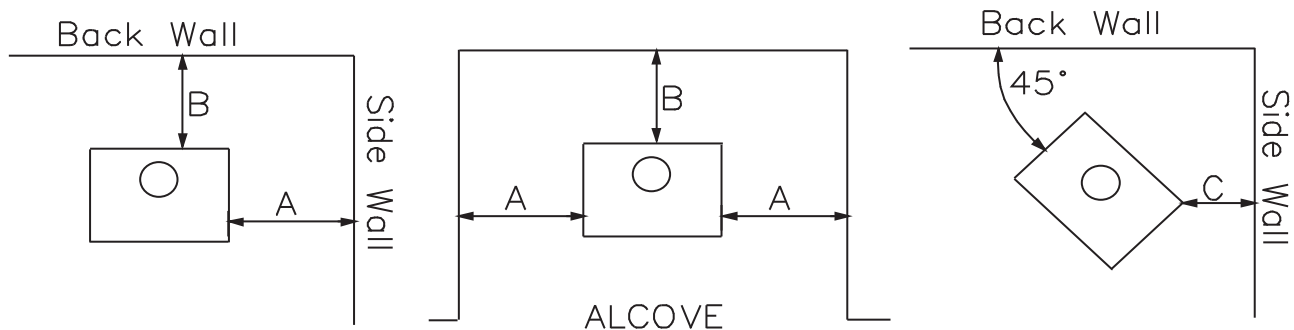
#### MAINTAIN THESE MINIMUM CLEARANCES TO COMBUSTIBLES:

**A.** 6" (152mm)      **B.** 6" (152mm)      **C.** 2" (51mm)\*

Minimum 20" (508mm) from appliance top to ceiling.

6" (152.4mm) to single wall connector.

\*At a distance of 2" (51mm) from the wall, access to the blower switch, on-off switch or the blower power cord may not be practical.





### 4.1.1 horizontal installation

## ! WARNING

- The firestop assembly must be installed with the vent shield to the top.
- Terminals must not be recessed into a wall or siding more than the depth of the return flange of the mounting plate.

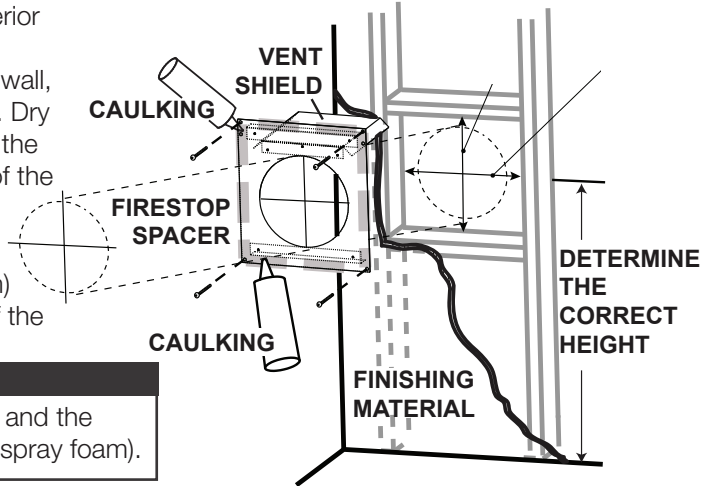
This application occurs when venting through an exterior wall. Having determined the correct height for the air terminal location, cut and frame a hole in the exterior wall, as illustrated, to accommodate the firestop assembly. Dry fit the firestop assembly before proceeding to ensure the brackets on the rear surface fit to the inside surface of the horizontal framing.

The length of the vent shield may be cut shorter for combustible walls that are less than 8 1/2" (215.9mm) thick but the vent shield must extend the full depth of the combustible wall.

**note:**

Do not fill the air space between the firestop spacer and the exterior wall with any type of insulating material (i.e. spray foam).

- Apply a bead of caulking (not supplied) around the outer edge of the hole of the firestop assembly, fit the firestop assembly to the hole and secure using 4 screws.
- Once the vent pipe is installed in its final position, apply red RTV silicone (W573-0002) (not supplied) between the pipe and the firestop.



**note:**

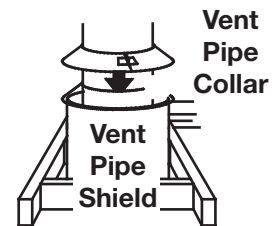
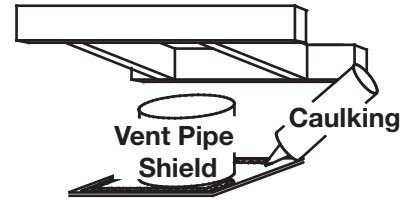
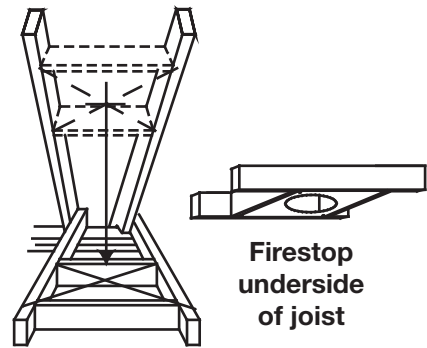
The above is for illustration purposes only. Vents do not always pass through center of frame.

# installation

## 4.1.2 vertical installation

This application occurs when venting through a roof. Installation kits for various roof pitches are available from your authorized dealer / distributor. See the “accessories” section to order specific kits required.

- A. Determine the air terminal location, cut and frame a square opening, as illustrated, in the ceiling and the roof to provide the minimum 1" (25mm) clearance between the vent pipe and any combustible material. Try to center the vent pipe location midway between two joists to prevent having to cut them. Use a plumb bob to line up the center of the openings. A vent pipe shield will prevent any materials such as insulation, from filling up the 1" (25mm) air space around the pipe. Nail headers between the joist for extra support.
- B. Apply a bead of caulking (not supplied) to the framework or to the Wolf Steel vent pipe shield plate or equivalent (in the case of a finished ceiling), and secure over the opening in the ceiling. A firestop must be placed on the bottom of each framed opening in a roof or ceiling that the venting system passes through. Apply a bead of caulking all around and place a firestop spacer over the vent shield to restrict cold air from being drawn into the room or around the fireplace. Ensure that both spacer and shield maintain the required clearance to combustibles. Once the vent pipe is installed in its final position, apply red RTV silicone (W573-0002) (not supplied) between the pipe and the firestop assembly.
- C. In the attic, slide the vent pipe collar down to cover up the open end of the shield and tighten. This will prevent any materials, such as insulation, from filling up the 1" (25mm) air space around the pipe.

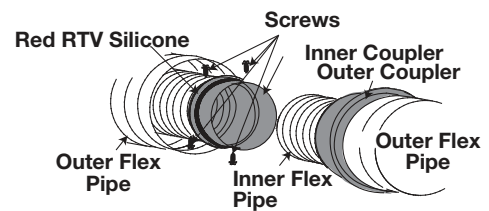
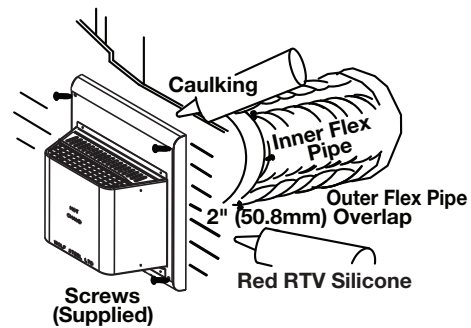


### 4.1.3 horizontal air terminal installation - model TDS60-1

## ! WARNING

- Terminals must not be recessed into a wall or siding more than the depth of the return flange of the mounting plate.

- Stretch the inner flex pipe to the required length taking into account the additional length needed for the finished wall surface. Apply a heavy bead of the red RTV silicone (W573-0002) (not supplied) to the inner sleeve of the air terminal. Slip the vent pipe a minimum of 2" (50.8mm) over the inner sleeve of the air terminal and secure with a minimum of 3 screws.
- Using the outer flex pipe, slide over the outer combustion air sleeve of the air terminal and secure with a minimum of 3 screws. Seal using red RTV silicone (W573-0002) (not supplied).
- Insert the vent pipes through the firestop maintaining the required clearance to combustibles. Holding the air terminal (lettering in an upright, readable position), secure to the exterior wall and make weather tight by sealing with caulking (not supplied).
- If more vent pipe needs to be used to reach the fireplace, couple them together, as illustrated. The vent system must be supported approximately every 3 feet (0.9m) for both vertical and horizontal runs. Use non-combustible strapping to maintain the minimum clearance to combustibles.
- Stove Appliances Only:** From inside the house, using Red RTV Silicone (W573-0002) (not supplied), seal between the vent pipe and the firestop. Then slide the black trim collar over the vent pipe up to the firestop.



The air terminal mounting plate may be recessed into the exterior wall or siding no greater than the depth of its return flange.

## 4.1.4 vertical air terminal installation - model TDS60-1

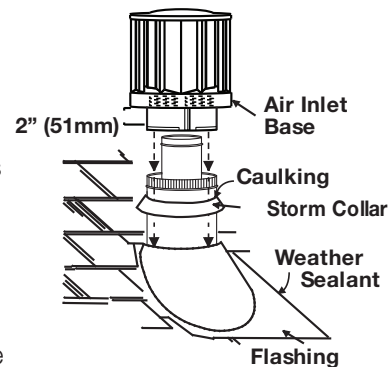
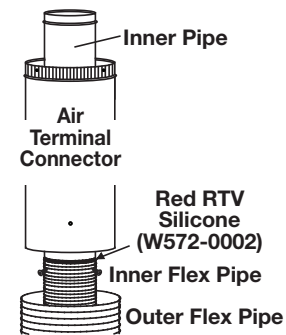
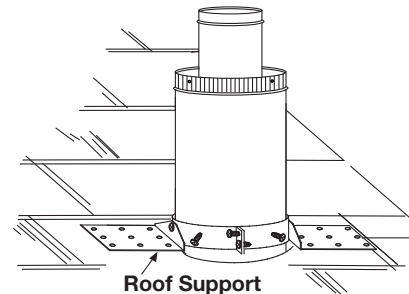
### ! WARNING

- Maintain a minimum 2" (51mm) space between the air inlet base and the storm collar.

#### note:

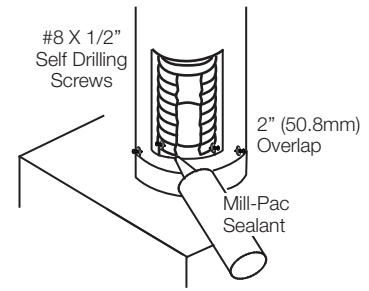
Fastening hardware provided with appropriate roof terminal and liner kits.

- Fasten the roof support to the roof using 6 screws. The roof support is optional. In this case, the venting is to be adequately supported using either an alternate method suitable to the authority having jurisdiction or the optional roof support.
- Stretch the inner flex pipe to the required length. Slip the inner flex pipe a minimum of 2" (51mm) over the inner pipe of the air terminal connector and secure with a minimum of three screws, when 4/7, 5/8 and 3/5 venting is used and a minimum of six screws when using 8/10 or 8/11 venting. Seal using a heavy bead of red RTV silicone sealant (W573-0002) (not supplied).
- Repeat using the outer flex pipe, using a heavy bead of red RTV silicone sealant (W573-0002) (not supplied) and a minimum of three screws, when 4/7, 5/8 and 3/5 venting is used and a minimum of six screws when using 8/10 or 8/11 venting.
- Thread the air terminal connector / vent pipe assembly down through the roof. The air terminal must be positioned vertically and plumb. Attach the air terminal connector to the roof support, ensuring that the top of the air terminal is 16" (40.6cm) above the highest point that it penetrates the roof.
- Remove nails from the shingles, above and to the sides of the air terminal connector. Place the flashing over the air terminal connector leaving a min. 3/4" (19mm) of the air terminal connector showing above the top of the flashing. Slide the flashing underneath the sides and upper edge of the shingles. Ensure that the air terminal connector is properly centered within the flashing, giving a 3/4" (19mm) margin all around. Fasten to the roof. Do not nail through the lower portion of the flashing. Make weather-tight by sealing with caulking. Where possible, cover the sides and top edges of the flashing with roofing material.
- Aligning the seams of the terminal and air terminal connector, place the terminal over the air terminal connector making sure the vent pipe goes into the hole in the terminal. Secure with a minimum of three screws, when 4/7, 5/8 and 3/5 venting is used and a minimum of six screws when using 8/10 or 8/11 venting.
- Apply a heavy bead of weatherproof caulking 2" (51mm) above the flashing. Install the storm collar around the air terminal and slide down to the caulking. Tighten to ensure that a weather-tight seal between the air terminal and the collar is achieved.
- If more vent pipe needs to be used to reach the appliance, see "**horizontal air terminal installation**" section.



## 4.2 appliance vent connection - model TDS60-1

- A. Attach the adjustable pipe to the last section of rigid pipe. Secure with screws and seal.
- B. Install the inner flex pipe to the appliance. Secure with a minimum of three screws and flat washers when installing 3"/5", 4"/7" or 5"/8" venting, or six screws and flat washers when installing 8"/10" or 8"/11" venting. Seal the joint and screw holes using Mill Pac sealant (W573-0007) (not supplied).
- C. Run a bead of high temperature red RTV silicone sealant (W573-0002) (not supplied) around the inside of the air intake collar. Pull the adjustable pipe a minimum 2" (50.8mm) into the air intake collar.



**note:**

Always finish vent system installation with the appliance vent connection. Ensure that the sealant is not visible on the exterior pipes once installation is completed. An optional decorative black band may be available with this appliance. In the event that the venting must be disassembled, care must be taken to reseal the venting.

# installation

## 4.3 vertical through existing chimney

### ! WARNING

- Risk of fire.
- Co-axial to co-linear venting configurations must only be used in a non-combustible chimney or enclosure. Installation in a combustible enclosure could result in a fire.

This appliance is designed to be attached to a 3" (76.2mm) co-linear aluminum flex vent system running the full length of a masonry chimney.

The flex liners accommodate any contours of a masonry chimney, however, it is necessary to keep the flexible liners as straight as possible. The inlet air collar of the termination cap must be connected to the air intake flex liner and the exhaust collar must be connected to the exhaust flexible liner.

Both Simpson Duravent and Selkirk co-linear to co-axial adaptors have been approved on this appliance

#### note:

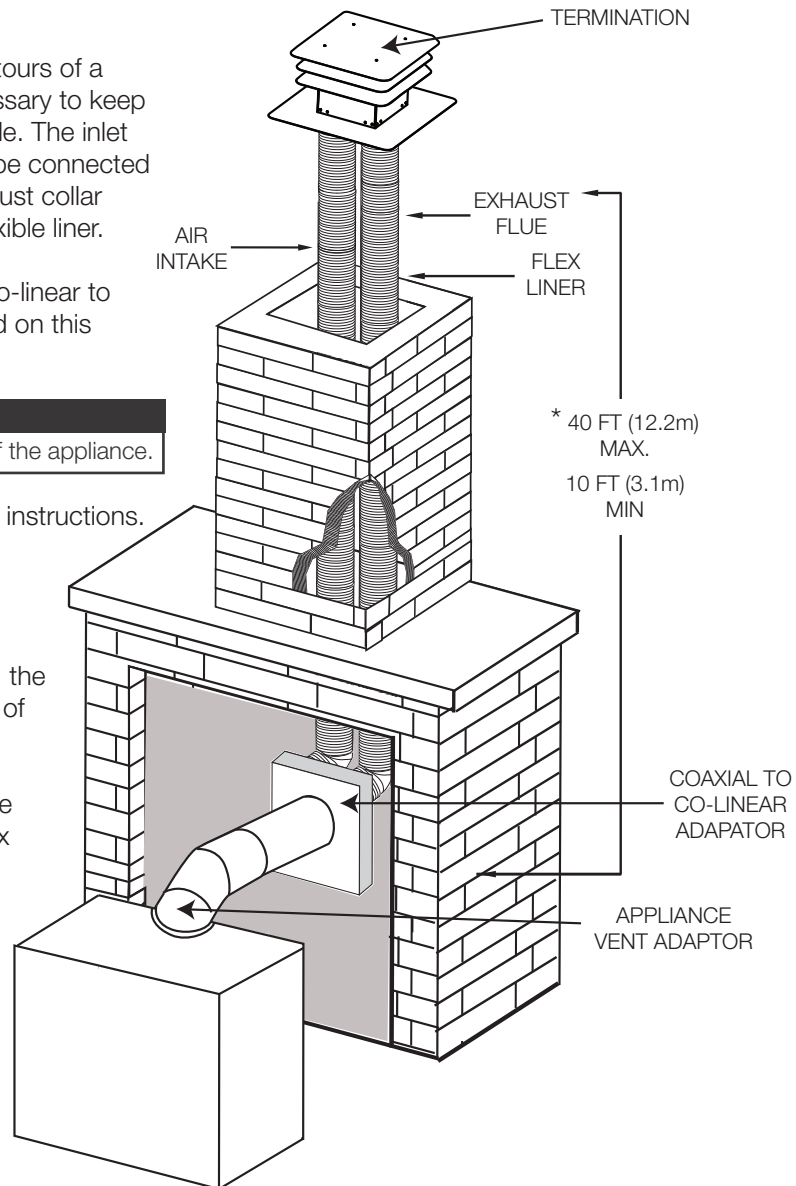
A vent adaptor will be required directly off the appliance.

Follow vent manufacturer's installation instructions.

Different manufacturer's venting components must not be combined. Once the preferred manufacturer's appliance adaptor has been attached, the remainder of the system must be that of the same manufacturer.

The only exception to this rule is to use Wolf Steel's approved 3" (76.2mm) flex liner and co-linear termination.

\* Measured from appliance flue collar to termination flue collar



#### 4.4 mobile home installation - model TDS60-1

In Canada, mobile home installation may be vented horizontally or vertically. In the United States, it may only be installed vertically. See "vertical venting" or "horizontal air terminal installation" section for installation.

For mobile home installations, the appliance must be fastened in place. It is recommended that the appliance be secured in all installations. Use the levelling / securing kit, GDSLL-KT for this purpose.

#### 4.5 gas installation

### **WARNING**

- Risk of fire, explosion, or asphyxiation. Ensure there are no ignition sources such as sparks or open flames.
- Support gas control when attaching gas supply pipe to prevent damaging gas line.
- Always light the pilot whether for the first time or if the gas supply has run out with the glass door opened or removed. Purging of the gas supply line should be performed by a qualified service technician. Ensure that a continuous gas flow is at the burner before closing the door. Ensure adequate ventilation. For gas and electrical locations, see "dimensions" section.
- All gas connections must be contained within the appliance when complete (**gas fireplaces only**).
- High pressure will damage valve. Disconnect gas supply piping before testing gas line at test pressures above 1/2 PSIG.
- Valve settings have been factory set, do not change.

#### **Installation and servicing to be done by a qualified installer.**

- Move the appliance into position and secure.
- If equipped with a flex connector, the appliance is designed to accept a 1/2" (13mm) gas supply. Without the connector, it is designed to accept a 3/8" (9.5mm) gas supply. The appliance is equipped with a manual shut off valve to turn off the gas supply to the appliance.
- Connect the gas supply in accordance to local codes. In the absence of local codes, install to the current CAN/CSA-B149.1 Installation Code in Canada or to the current National Fuel Gas Code, ANSI Z223.1 / NFPA 54 in the United States.
- When flexing any gas line, support the gas valve so that the lines are not bent or kinked.
- The gas line flex-connector should be installed to provide sufficient movement for shifting the burner assembly on its side to aid with servicing components.
- Check for gas leaks by brushing on a soap and water solution. **Do not use open flame.**

#### 4.6 optional wall switch

For ease of accessibility, an optional remote wall switch may be installed in a convenient location. Route 2 strand solid core millivolt wire from the gas appliance to the wall switch. The recommended maximum lead length depends on the wire size:

| <b>WIRE SIZE</b> | <b>MAX. LENGTH</b> |
|------------------|--------------------|
| 14 gauge         | 100 feet (30m)     |
| 16 gauge         | 60 feet (18m)      |
| 18 gauge         | 40 feet (12m)      |

**DIRECT VENT MODEL TDS60-1:** Disconnect one of the wire leads to the on/off switch then connect the wire leads from the optional wall switch / remote. See "wiring diagram" section.

**B-VENT MODEL TS60-1:** Disconnect one of the wire leads to the on/off switch then connect the wire leads from the optional wall switch / remote / spill switch to "B" vent adaptor. See "WIRING DIAGRAM" section.

# installation

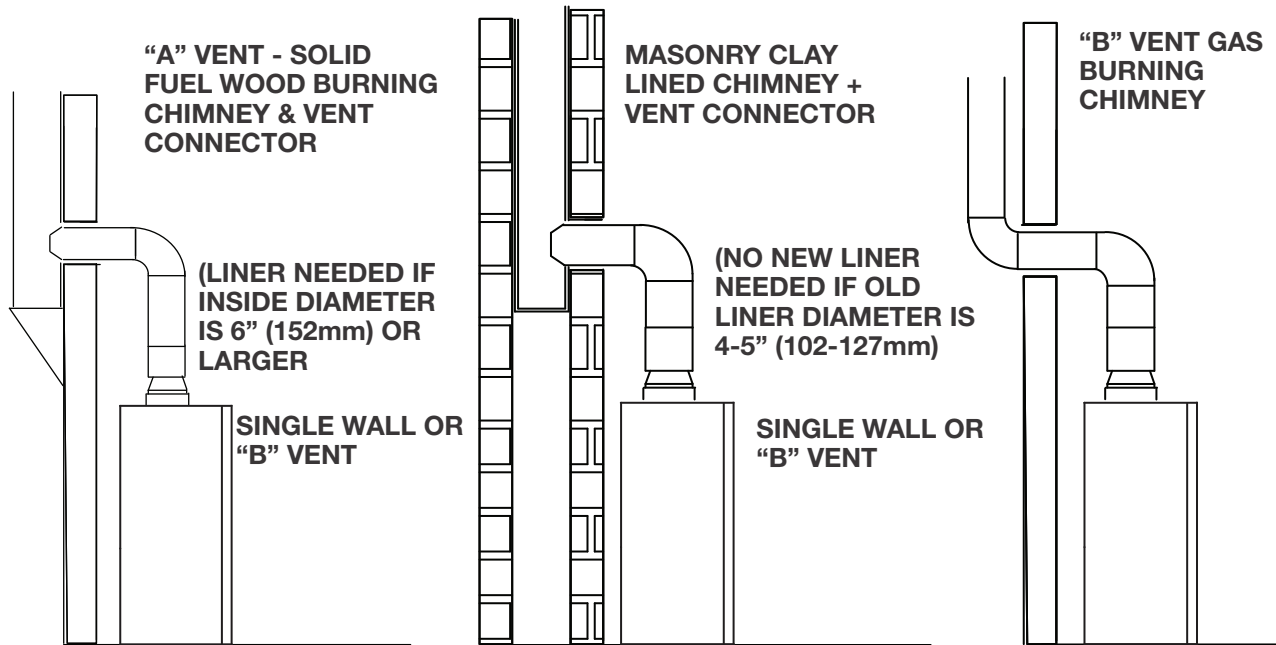
## 4.7 natural vent specifics - model TS60-1

### 4.7.1 chimney installation

#### **! WARNING**

- A chimney venting this appliance shall not vent any solid fuel burning appliance.

Three types of chimney systems may be used with this appliance.



All horizontal runs must have a 1/4" (6.4mm) rise per foot (0.3m)



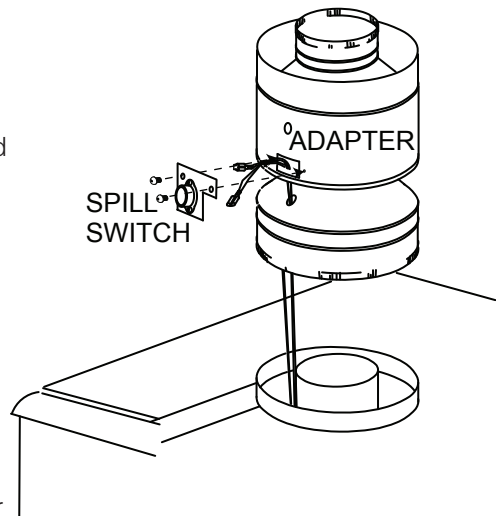
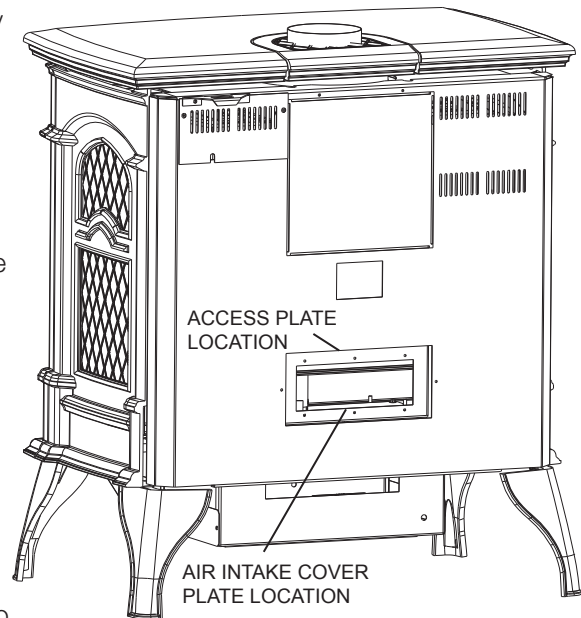
### 4.7.2 installing natural vent

Follow the instructions of the "B" vent manufacturer for chimney installation.

- A. Remove the access plate. Remove and discard the air intake cover plate located directly behind the access plate.
- B. Feed the 2 wires, supplied, through the 7" (178mm) collar at the top of the unit, bring them out the air intake opening but behind the rear panel as shown.

**NOTE: Ensure that 2 female ends remain at the top. Re-secure the access plate.**

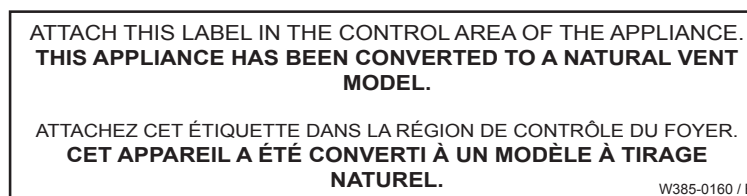
- C. Remove the spill switch bracket from the rear of the adapter. Unscrew the spill switch and discard the bracket. Attach the spill switch to the bracket supplied with the appliance and secure onto the adapter.
- D. Bring the wires through the lower hole in the adapter. To pass the wires through the hole more easily, temporarily tape the two terminals together.
- E. With the spill switch opening aligned to the back of the appliance, take hold of the adapter base and push the crimped edge into the appliance flue collar.
- F. Connect the upper wire terminals to the spill switch.
- G. Disconnect the wire leads to on/off switch, see "wiring diagram" section and reconnect to the ends of the spill switch wires. Leave all excess wire in an orderly manner.



For aesthetics, the adapter has been designed to accept a standard matte black 7" (178mm) appliance pipe and the Napoleon® decorative brass band (standard with the GS-150KT). Both are available from your local authorized dealer / distributor.

### 4.7.3 natural vent

Attach the natural vent label, shown, in the control area of the appliance.



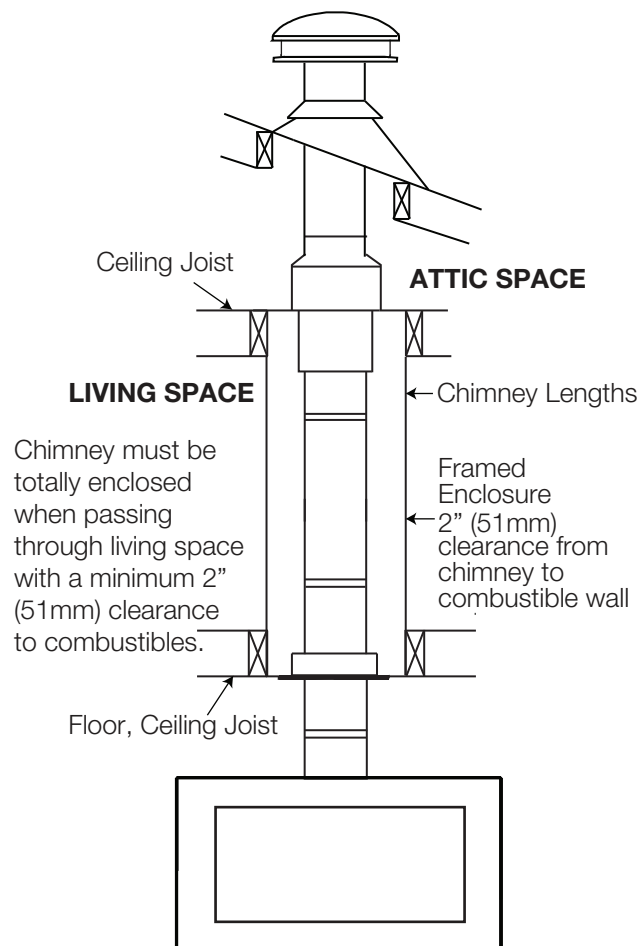
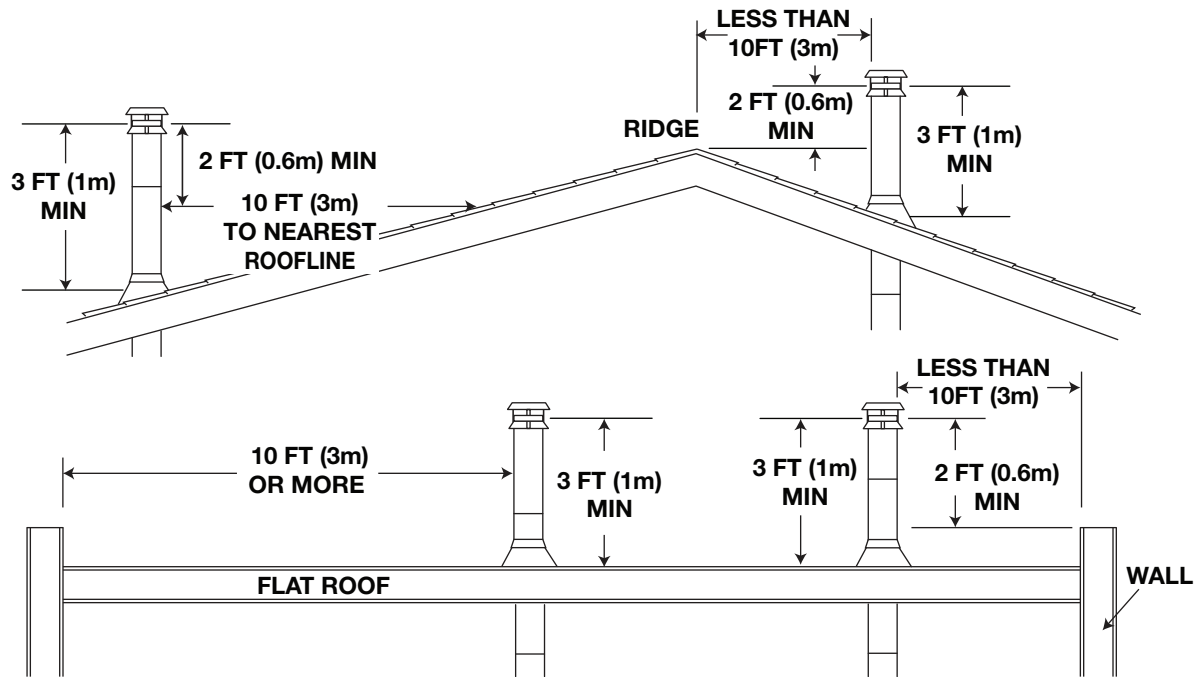
### 4.7.4 combustion air

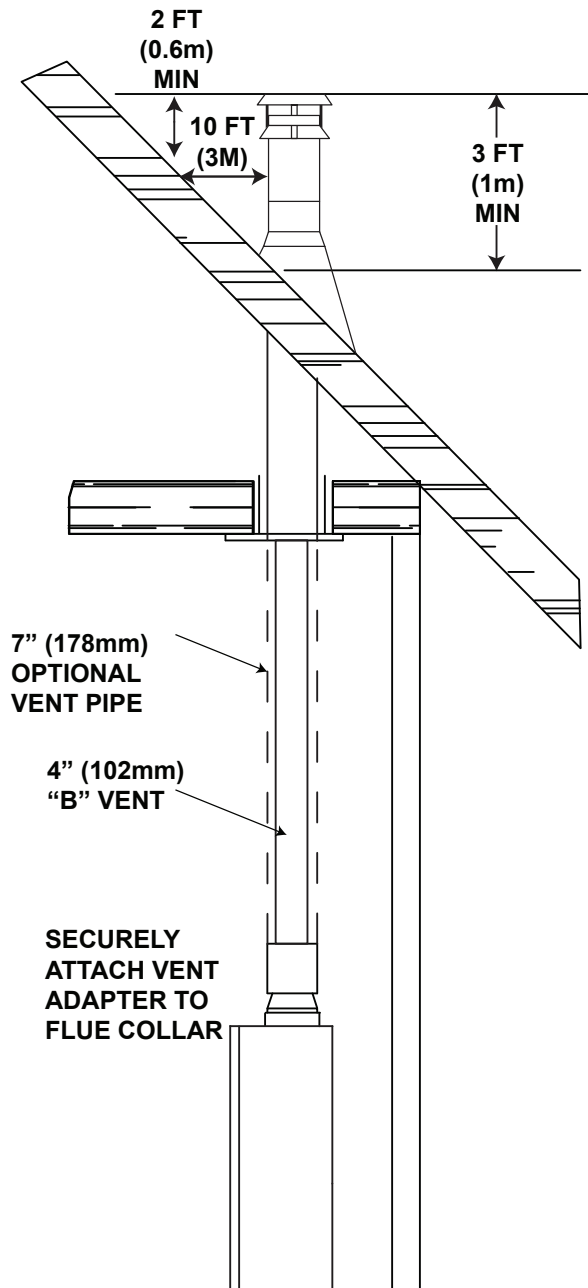
This appliance needs air for safe operation and must be installed in such a way that adequate combustion air is available.

# installation

## 4.7.5 adding vent sections

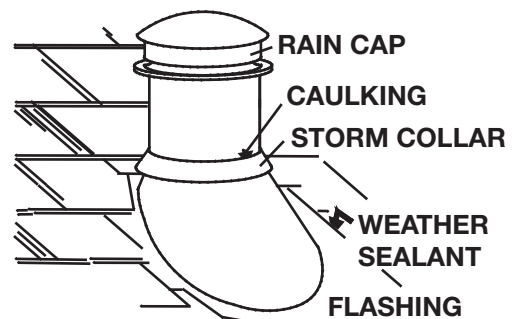
Add chimney sections, according to the manufacturer's installation instructions. If the chimney system passes through an attic space, a rafter radiation shield or attic insulation shield is required. The chimney must extend at least 3ft (0.9m) above its point of contact with the roof and at least 2ft (0.6m) higher than any wall, roof or building within 10ft (3.1m). If the chimney extends more than 5ft (1.5m) above the roof, it must be secured using a roof brace or guide wires. A raincap must be installed to avoid internal damage and corrosion.





#### 4.7.6 installing flashing and storm collar

The following are generic installation instructions for installing the flashing around a chimney. Installation of all types of factory-built chimney systems is to be in accordance with the chimney manufacturer's installation instructions. Remove the nails from the shingles above and to the sides of the chimney. Place the flashing over the chimney pipe and slide underneath the sides and upper edge of the shingles. Ensure that the chimney pipe is properly centered within the flashing, giving a 3/4" (19.1mm) margin all around. Fasten to the roof on the top and sides. **DO NOT NAIL** through the lower portion of the flashing. Make weather-tight by sealing with caulking. Where possible, cover the sides and top edges of the flashing with roofing material. Apply waterproof caulking, provided with the flashing, around the chimney, 1" (25.4mm) above the top of the flashing and push the storm collar down into the caulking. Insert a rain cap onto the top of the last chimney section.



## 5.0 finishing

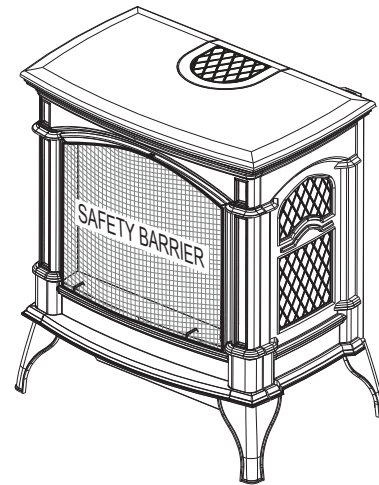
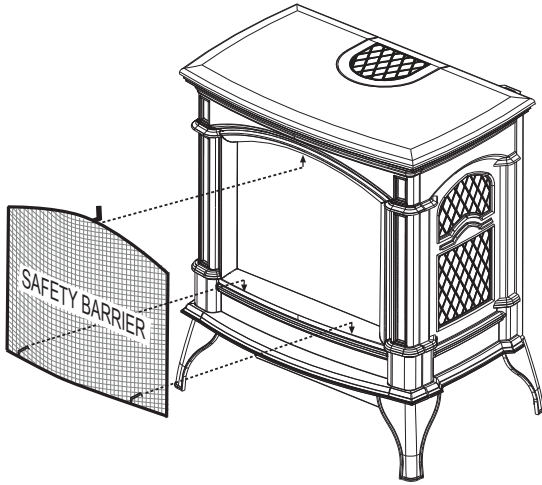
### 5.1 front cast removal

- A. Lift the cast top off the unit.
- B. Loosen the securing bolts on the cast front (located at either side on the top). Lift up and out.
- C. To install the front, repeat in reverse order.

### 5.2 safety barrier installation and removal

**A barrier designed to reduce the risk of burns from the hot viewing glass, is provided with the appliance and shall be installed.**

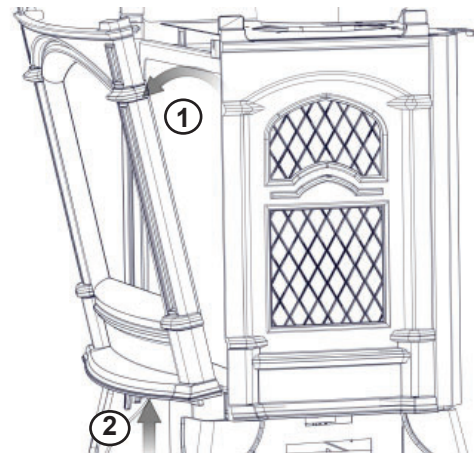
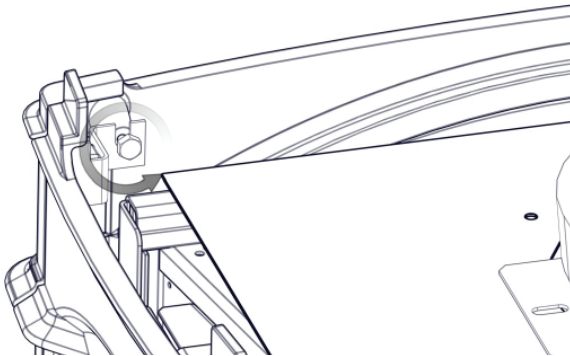
- A. Remove the safety barrier by lifting up slightly, swing out bottom then lower screen. Remove and discard plastic wrap.
- B. Tilt the top of the safety barrier toward the appliance and hook under the top arch of the cast front.
- C. Swing the bottom of the safety barrier into position and lower, allowing the bottom clips to rest on the bottom opening. Careful not to scratch the cast bottom.



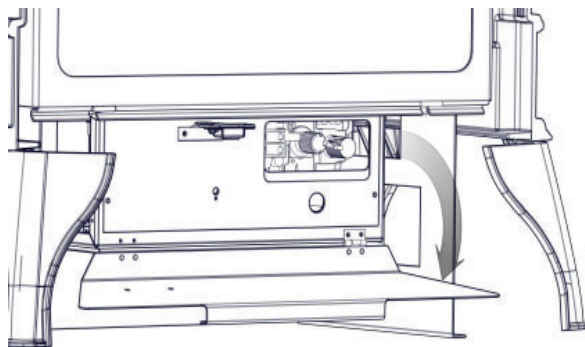
### 5.3 glass door installation and removal

Care must be taken when removing and installing door to ensure that the gasket at the top of the door does not bunch. When removing the glass door, a simple procedure must be followed in order to not damage the components.

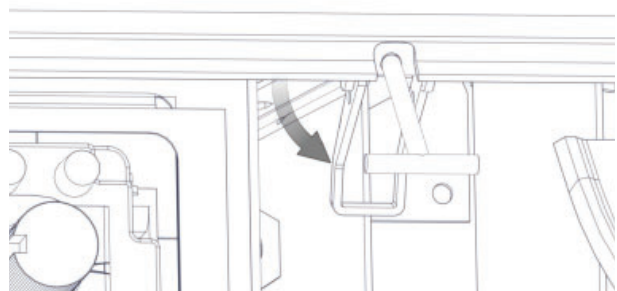
**A.** Lift the cast top off the appliance.



**B.** Remove securing bolts on cast front (located behind either side on the top) using a 10mm wrench (not supplied).



**C.** Tilt top of cast front forward and lift out.

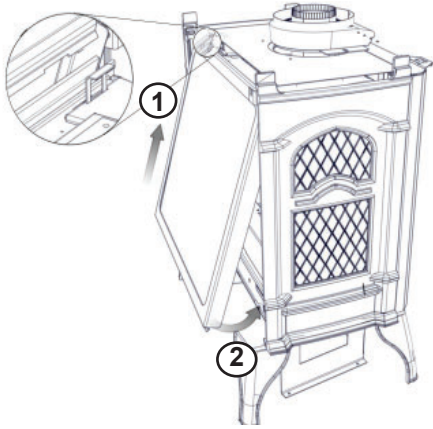


**D.** Open valve control door.

**E.** Pull quick release handles (located on bottom of either side) forward and release 'T' latches. 'T' latch is threaded and can be loosened or tightened to adjust for an effective door seal.

**F.** Lift glass door up and off edge of firebox top and slide it under top retainers to remove.

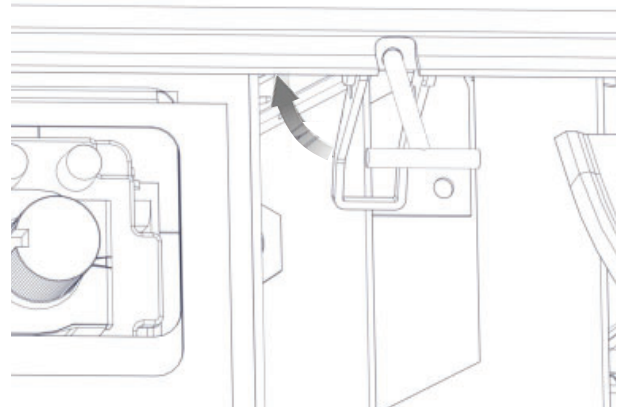
**NOTE:** When removing the glass door, a simple procedure must be followed in order to not damage the components.



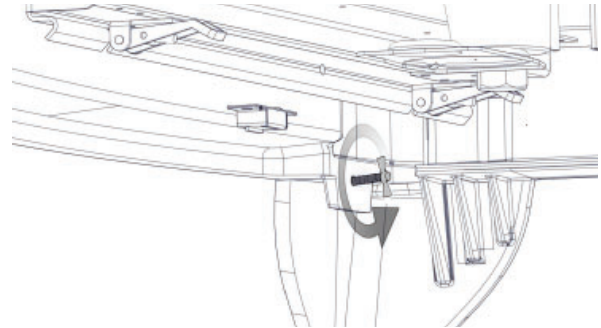
**G.** Slide glass door under top retainers and rest on edge of firebox. Swing bottom inwards.

**I.** Set cast front over legs and reinstall bolts removed at step B until secure.

**J.** Place cast top on top of appliance.



**H.** Slide 'T' latches into grooves at bottom of glass and fasten release handles.



**NOTE:** If gap adjustment is required between cast front and side, tighten or loosen wing nut screws (located behind either side on the bottom).

## 5.4 battery housing installation

### ! WARNING

- Ensure the gas and electrical power to the appliance is turned off.
- Appliance may be hot. Do not service until the appliance has cooled.

- Insert 4 AA batteries (not supplied) into the battery housing supplied, note the polarity of the batteries and insert as indicated on the cover (+/-). (To open the battery housing slide the back piece upwards and off of the battery housing).
- Attach the wires from the wiring harness of the appliance to the battery housing.
- Place the battery housing into the valve compartment below the burner, ensure that the battery housing is placed in a clean and easily accessible location.
- Turn the gas and electrical power back on to begin operating the appliance.

## 5.5 glass / door replacement

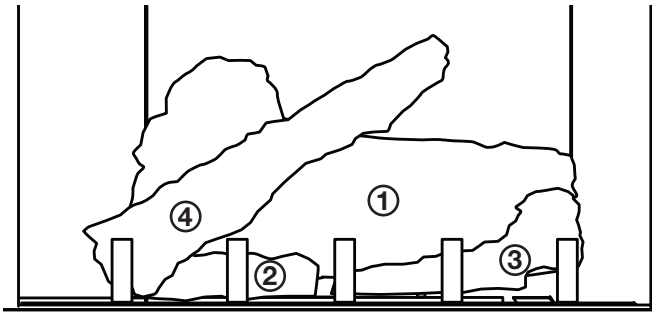
### ! WARNING

- Do not use substitute materials.
- Glass may be hot. Do not touch glass until cooled.
- Care must be taken when removing and disposing of any broken door glass or damaged components. Be sure to vacuum up any broken glass from inside appliance before operation.
- Do not strike, slam, or scratch. Do not operate appliance with glass removed, cracked, broken, or scratched.

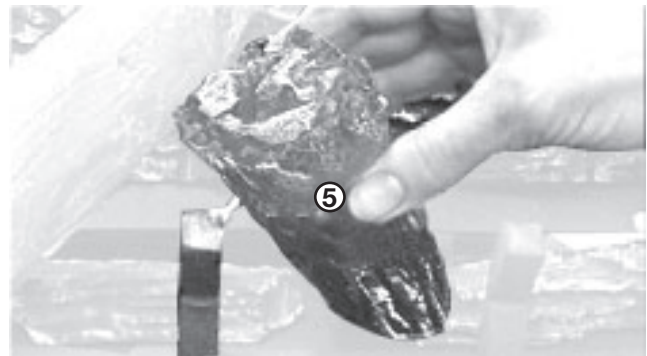
Replacement glass/frame assembly shall be replaced as a complete unit as supplied by the appliance manufacturer.

## 5.6 log placement

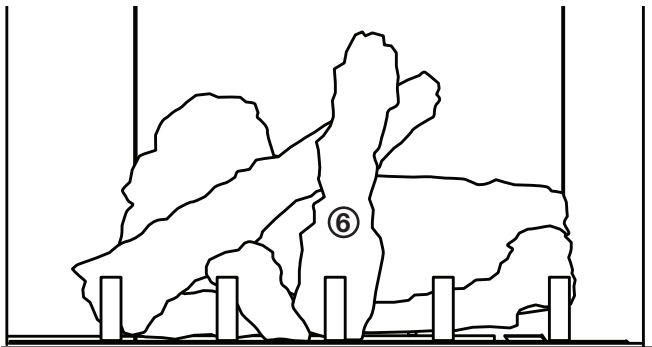
Blocked burner ports can cause an incorrect flame pattern, carbon deposits and delayed ignition. Phazer™ logs glow when exposed to direct flame and provide a unique and realistic glowing effect. Use only certified phazer™ logs available from your Napoleon® dealer.



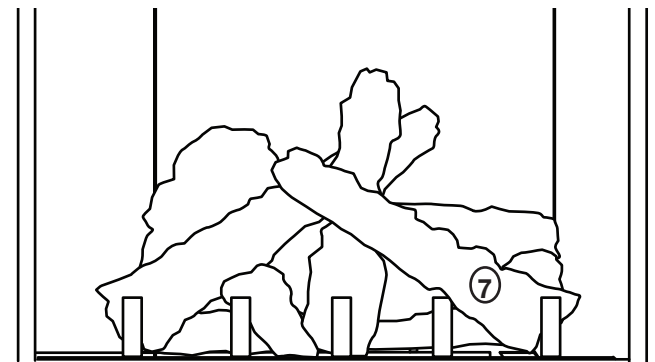
Place log #1 onto the burner, centering it onto the burner tray and pushing it as close to the rear wall of the firebox as possible. Move logs # 2 and 3 into position, lining up the studs located on the burner with the holes on the bottom of the logs. Sit the notch at the bottom of log #4 against the left outermost grate post and position the top of the log into the pocket provided on the rear log (#1).



The notch in log #5 should be pressed down onto the skewering pin located at the end of the grate as shown to prevent it from rocking.



Position the notch located in log #6 against the grate post.



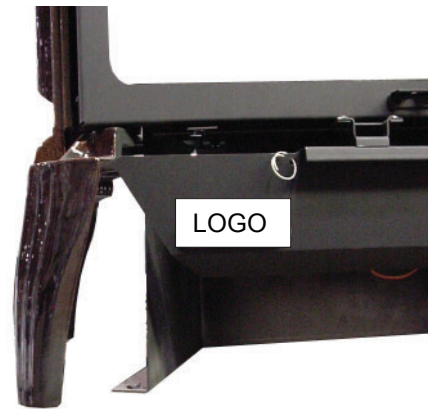
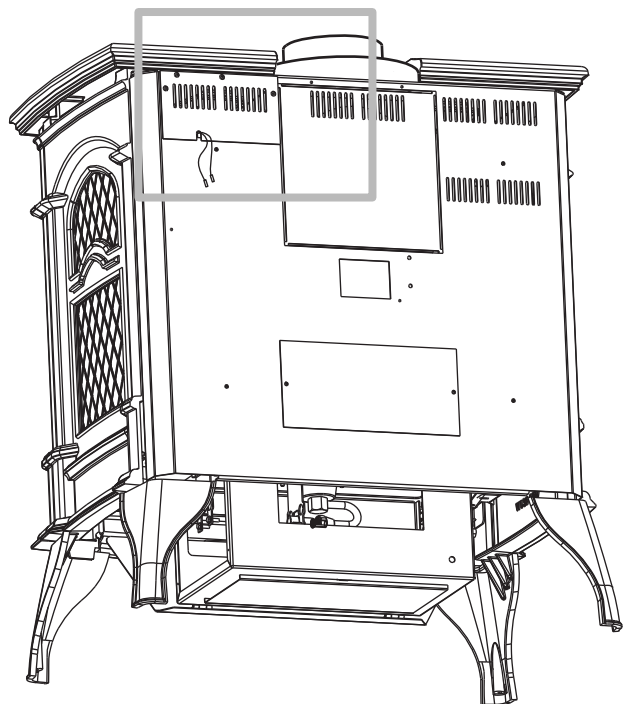
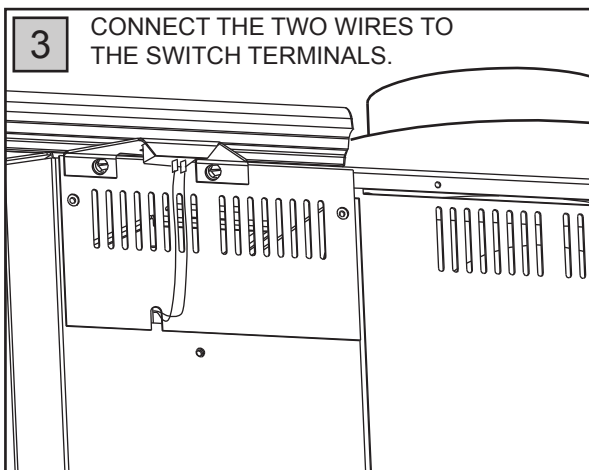
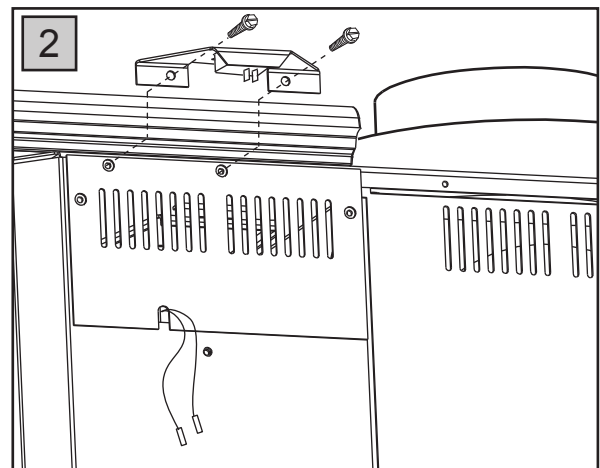
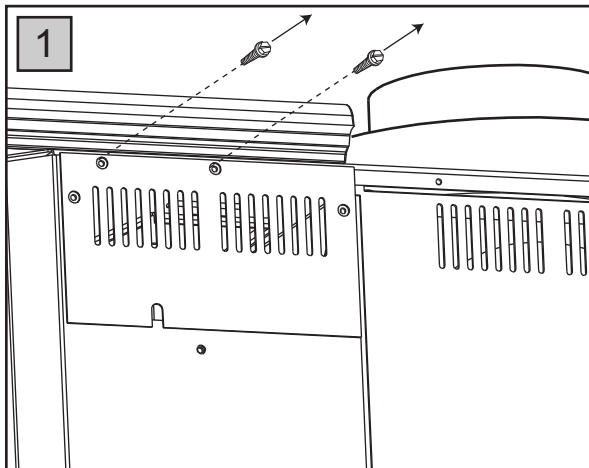
Place the bottom of log #7 against the right outermost grate post and the top into the pocket provided on the center log (#6). Bend up the tab in the log support to cradle log #7. Tear the glowing embers into pieces and place onto the front of the burner. Care should be taken to shred the embers into thin, small irregular pieces as only the exposed edges of the fibre hairs will glow when exposed to direct flame; however care should be taken to not block the burner ports. Blocked ports can cause an incorrect flame pattern, carbon deposits and delayed ignition.

Log colours may vary. During the initial use of the appliance, the colours will become more uniform as colour pigments burn in during the heat activated curing process.

**POSITIONING THE LOGS IMPROPERLY WILL CAUSE FLAME IMPINGEMENT AND CARBONING.**

**5.7 logo placement**

Remove the backing of the logo supplied and place, as illustrated.

**5.8 switch and bracket installation**



## 6.0 optional blower installation

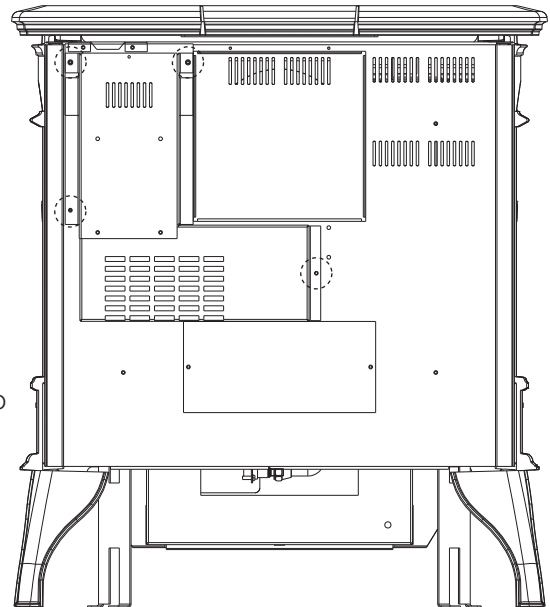
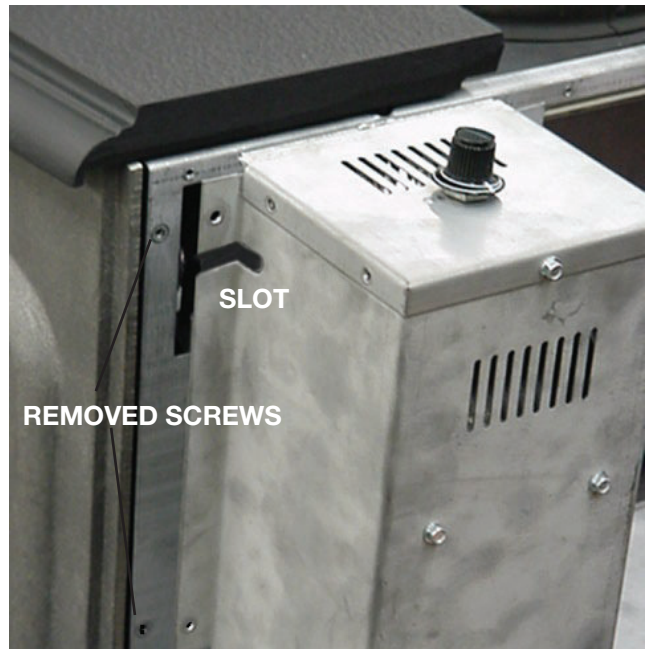
EN

- A.** Ensure that the access cover plate has been installed. For location, see "switch and bracket installation" section.
- B.** Remove the on/off switch bracket and the cover plate below it. The switch spacers and cover plate may now be discarded.
- C.** Decide which side of the blower housing you prefer the on/off switch to be located on.
- D.** Remove the top 2 screws from the left outer edge of the rear appliance panel.
- E.** Mount and secure the blower housing using 4 screws (two of which were removed in previous step). Ensure that the on/off switch wires pass through the appropriate slot located on either side of the blower housing.
- F.** Remove the 2 screws from the side of the blower housing that you want the switch to be located on and re-secure the on/off switch.

Because the blower is thermally activated, when turned on, it will automatically start approximately 15-30 minutes after lighting the appliance and will run for approximately 30-45 minutes after the appliance has been turned off. Use of the fan increases the output of heat.

Drywall dust will penetrate into blower bearings causing irreparable damage and must be prevented from coming into contact with the blower or its compartment.

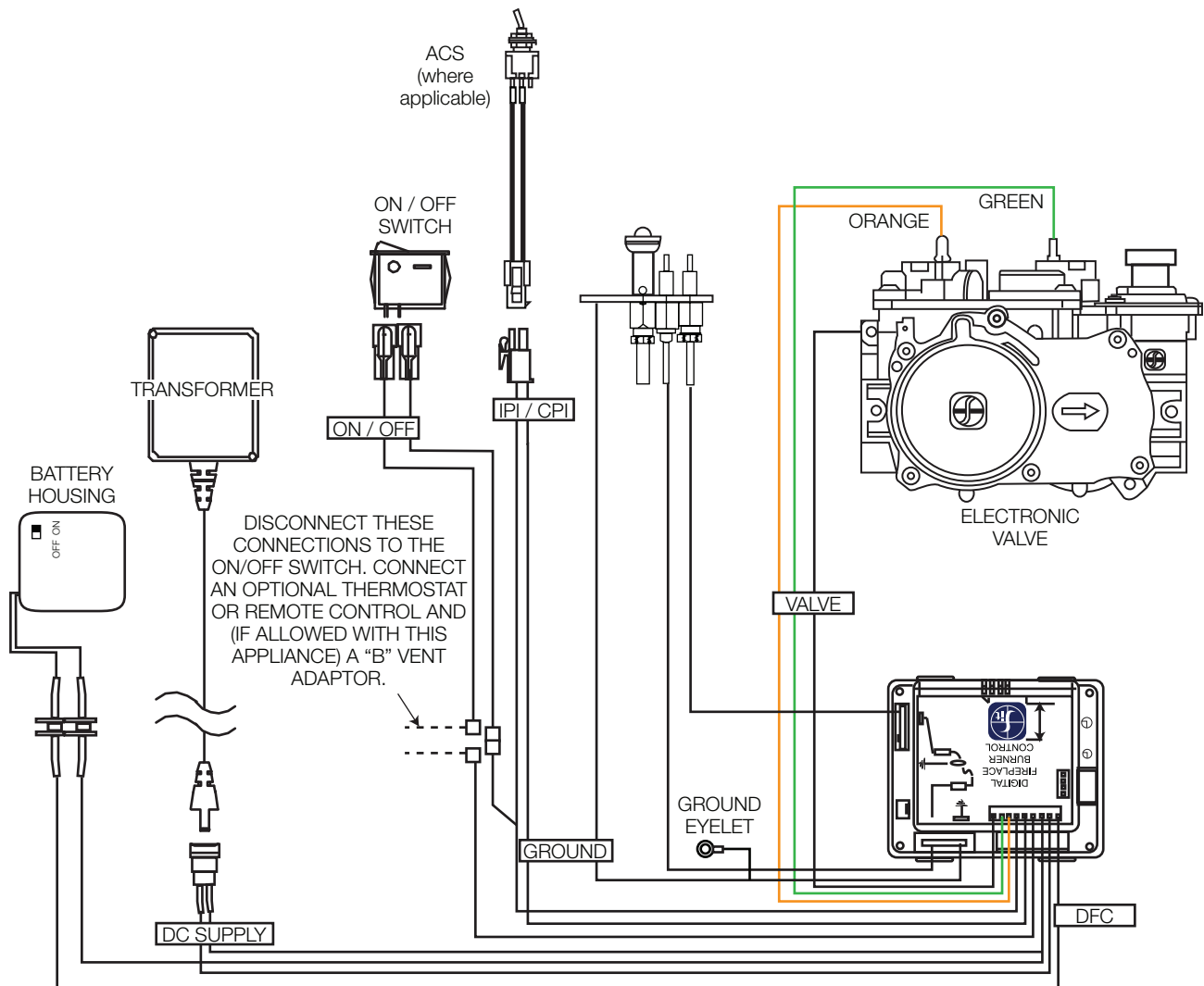
Any damage resulting from this condition is not covered by the warranty policy.



## 7.0 wiring diagram

### ⚠ WARNING

- Do not wire 110 volts to the valve or wall switch.



WHERE APPLICABLE, APPLIANCES WITH "B" VENT ADAPTORS MUST HAVE THE SPILL SWITCH WIRED IN SERIES WITH EITHER THE EXISTING SWITCH OR OPTIONAL WALL SWITCH, THERMOSTAT OR REMOTE.

#### note:

This appliance comes equipped with a battery back-up. If this backup is used, install 4 'AA' batteries (not supplied) into the holder and connect to the wire harness. Connect the battery holder to the wire harness before using the appliance. Place near the DFC board. If the backup is used, it must be connect to this 6 volt battery pack (supplied).

| Legend     |  |
|------------|--|
| <b>DFC</b> | Digital Fireplace Control                    |
| <b>DC</b>  | Direct Current                               |
| <b>IPI</b> | Intermittent Pilot Ignition                  |
| <b>CPI</b> | Continuous Pilot Ignition (with 7-day timer) |
| <b>ACS</b> | Anti-Condensation Switch (IPI / CPI)         |

## WARNING

- If you do not follow these instructions exactly, a fire or explosion may result causing property damage, personal injury or loss of life.
- Always light the pilot whether for the first time or if the gas supply has ran out with the glass door opened or removed.
- Tampering with the spill switch can result in carbon monoxide (CO) poisoning and possible death (TS60-1N only).

### **MODEL TS60-1 ONLY: SPILL SWITCH**

This is a thermally activated switch, attached to the back of the chimney adaptor, which senses the change in temperature and shuts down the gas valve in the event of a blocked or disconnected vent. It acts as a safety shut-off to prevent a build up of carbon monoxide or an explosion of unburned gases during start up. If the flue is blocked or has no "draw", the spill switch will automatically shut off the supply of gas within about 5-10 minutes.

### **MODEL TS60-1 ONLY: VENTING ACTION CHECK**

A CHECK FOR CORRECT VENTING ACTION MUST BE MADE BEFORE THE INSTALLED APPLIANCE IS LEFT WITH THE CUSTOMER. Test in the following manner:

- Close all doors and windows in the room / start exhaust fans in the home / turn appliance blower off (if equipped).
- Set controls to "high" and light the unit.
- Wait 5 minutes. Light a match and extend it 1" (51 mm) into the hole located above the spill switch bracket on the adaptor.
- Venting action is satisfactory if the flame stays lit. Venting action is unsatisfactory if the flame extinguishes.
- If venting action is unsatisfactory, turn the unit off, wait 10 minutes and try again. If the match does not stay lit, turn the unit off and check for vent blockage or restriction. If necessary, consult with a qualified inspector.

## 8.1 operating instructions

The on-off switch is located on the back of the unit at the top left corner on models TDS60-1 and TS60-1.

**NOTE: The upper firebox baffle of your new cast appliance has intentionally been left unpainted. Its shiny appearance will quickly transform to a dull black finish during the curing process.**

When lit for the first time, the appliance will emit a slight odour for a few hours. This is a normal temporary condition caused by the "burn-in" of internal paints and lubricants used in the manufacturing process and will not occur again. Simply open a window to sufficiently ventilate the room. After extended periods of non-operation such as following a vacation or a warm weather season, the appliance may emit a slight odour for a few hours. This is caused by dust particles in the heat exchanger burning off. Open a window to sufficiently ventilate the room.

# operation

## 8.2 pilot-on-demand

This appliance is equipped with an “On Demand” intermittent pilot ignition system (IPI) which also includes a continuous pilot ignition (CPI) mode with an integrated seven day timer. This system minimizes your appliance’s carbon footprint as well as reducing its annual fuel consumption and operating costs.

In IPI mode, the pilot will ignite prior to the main burner, when the appliance is turned on using a switch, remote or from a call for heat with the thermostat (if equipped). Once the appliance is turned off (or the call for heat is satisfied), the main burner and pilot flame will shut down.

The continuous (CPI) mode is intended to enhance the performance of the appliance during the startup phase in colder climates and extreme weather by keeping the system warm when the main burner is not in use. However, the timer feature provides the convenience that the appliance automatically switches off the pilot when the appliance has not been used for seven days to save unnecessary fuel consumption.

When the CPI function is turned on, the pilot will remain on after the main burner is turned off. A timer will then begin the countdown for approximately seven days before shutting off the pilot if the appliance is not used. This countdown will reset anytime the appliance main burner is used. Therefore, if the appliance is regularly used day to day, the pilot will remain on. However, this system does not require the user to remember to turn the pilot off as summer approaches and avoids unnecessary fuel consumption while still readily turned back on when the cold weather returns.

Your appliance may be equipped with an ACS or remote control device which enables you to select IPI or CPI modes.

If your appliance is equipped with an ACS switch, it has the option to change modes. If installed with the blue wire facing up, flipping the switch UP turns on the continuous pilot with timer and flipping the switch DOWN turns on the intermittent pilot ignition. If installed with the white wire facing up, the opposite is true.

If your appliance is equipped with a remote control device capable of selecting IPI / CPI modes, refer to remote operating instructions.

In order to start your pilot, turning the main burner on with the switch, remote or thermostat and then turning it off will reactivate the continuous pilot mode and reset the seven day timer.



### 8.3 operating instructions - for your safety read before operating

**OPERATING INSTRUCTIONS / INSTRUCTIONS D'OPÉRATION**  
**FOR YOUR SAFETY READ BEFORE OPERATING / POUR VOTRE SÉCURITÉ LIRE AVANT DE FAIRE FONCTIONNER**

**WARNING:** DO NOT TURN ON IF CHILDREN OR OTHER AT RISK INDIVIDUALS ARE NEAR THE APPLIANCE. IF YOU DO NOT FOLLOW THESE INSTRUCTIONS EXACTLY, A FIRE OR EXPLOSION MAY RESULT CAUSING PROPERTY DAMAGE, PERSONAL INJURY OR LOSS OF LIFE. INITIAL LIGHTING OF THE PILOT AND MAIN BURNERS MUST BE DONE WITH THE GLASS DOOR OFF. DO NOT CONNECT VALVE OR WALL SWITCH TO ELECTRICITY. SEE INSTALLATION INSTRUCTIONS.

**ATTENTION:** NE PAS ALLUMER SI DES ENFANTS OU D'AUTRES INDIVIDUS À RISQUE SONT À PROXIMITÉ DU FOYER. QUICONQUE NE RESPECTE PAS À LA LETTRE LES INSTRUCTIONS DANS LA PRÉSENTE NOTICE, RISQUE DE DÉCLENCHER UN INCENDIE OU UN EXPLOSION ENTRAÎNANT DES DOMMAGES, DES BLESSURES OU LA MORT. L'ALLUMAGE INITIAL DE LA VEILLEUSE ET DU BRÛLEUR PRINCIPAL DOIT SE FAIRE AVEC LA PORTE VITRÉE ENLEVÉE. NE RACCORDEZ PAS LA SOUPAPE OU L'INTERRUPTEUR MURAL À L'ÉLECTRICITÉ. CONSULTEZ LES INSTRUCTIONS D'INSTALLATION.

A. THIS APPLIANCE IS EQUIPPED WITH AN IGNITION DEVICE WHICH AUTOMATICALLY LIGHTS THE PILOT. DO NOT TRY TO LIGHT BY HAND.  
 B. BEFORE OPERATING, SMELL ALL AROUND THE APPLIANCE AREA FOR GAS AND NEXT TO THE FLOOR BECAUSE SOME GAS IS HEAVIER THAN AIR AND WILL SETTLE ON THE FLOOR.

**WHAT TO DO IF YOU SMELL GAS:**

- TURN OFF ALL GAS TO THE APPLIANCE.
- OPEN WINDOWS.
- DO NOT TRY TO LIGHT ANY APPLIANCE.
- DO NOT TOUCH ANY ELECTRICAL SWITCH; DO NOT USE ANY PHONE IN YOUR BUILDING.
- IMMEDIATELY CALL YOUR GAS SUPPLIER FROM A NEIGHBOUR'S PHONE. FOLLOW THE GAS SUPPLIER'S INSTRUCTIONS.
- IF YOU CANNOT REACH YOUR GAS SUPPLIER, CALL THE FIRE DEPARTMENT.

C. DO NOT TRY TO REPAIR ANY PART OF THIS ASSEMBLY. CALL A QUALIFIED SERVICE TECHNICIAN. FORCE OR ATTEMPTED REPAIR MAY RESULT IN A FIRE OR EXPLOSION.  
 D. DO NOT USE THIS APPLIANCE IF ANY PART HAS BEEN UNDER WATER. IMMEDIATELY CALL A QUALIFIED SERVICE TECHNICIAN TO INSPECT THE APPLIANCE AND REPLACE ANY PART OF THE CONTROL SYSTEM AND ANY GAS CONTROL WHICH HAS BEEN UNDER WATER.

A. CET APPAREIL EST MUNI D'UN DISPOSITIF D'ALLUMAGE QUI ALLUME AUTOMATIQUEMENT LA VEILLEUSE. NE TENTEZ PAS D'ALLUMER LA VEILLEUSE MANUELLEMENT.  
 B. AVANT DE FAIRE FONCTIONNER, RENIFLEZ TOUT AUTOUR DE L'APPAREIL POUR DÉCELER UN ODEUR DE GAZ. RENIFLEZ PRÈS DU PLANCHER, CAR CERTAINS GAZ SONT PLUS LOURDS QUE L'AIR ET PEUVENT S'ACCUMULER AU NIVEAU DU SOL.

**QUE FAIRE SI VOUS DÉTECTEZ UNE ODEUR DE GAZ:**



- COUPEZ L'ALIMENTATION DE GAZ PRINCIPALE.
- OUVREZ LES FENÊTRES.
- NE PAS TENTER D'ALLUMER D'APPAREIL.
- NE TOUCHEZ À AUCUN INTERRUPTEUR; NE PAS VOUS SERVIR DES TÉLÉPHONES SE TROUVANT DANS LE BÂTIMENT.
- APPELÉZ IMMÉDIATEMENT VOTRE FOURNISSEUR DE GAZ DEPUIS UN VOISIN. SUIVEZ LES INSTRUCTIONS DU FOURNISSEUR.
- SI VOUS NE POUVEZ REJOINDRE LE FOURNISSEUR APPELÉZ LE SERVICE DES INCENDIES.

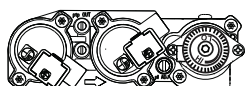
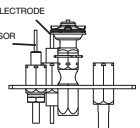
C. N'ESSAYEZ PAS DE RÉPARER AUCUNE PIÈCE DE CET ASSEMBLAGE. APPELÉZ UN TECHNICIEN QUALIFIÉ. FORCER OU TENTER DE RÉPARER L'ASSEMBLAGE POURRAIT CAUSER UN FEU OU UNE EXPLOSION.  
 D. N'UTILISEZ PAS CET APPAREIL S'IL A ÉTÉ PLONGÉ DANS L'EAU, MÊME PARTIELLEMENT. FAITES INSPECTER L'APPAREIL PAR UN TECHNICIEN QUALIFIÉ ET REMPLACEZ TOUTE PARTIE DU SYSTÈME DE CONTRÔLE ET TOUTE COMMANDE QUI ONT ÉTÉ PLONGÉS DANS L'EAU.

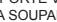

W385-0460 / E

### 8.4 lighting instructions


**LIGHTING INSTRUCTIONS / INSTRUCTIONS D'ALLUMAGE**


1. **STOP!** READ ALL INFORMATION OF OPERATING AND LIGHTING INSTRUCTIONS BEFORE PROCEEDING.
2. TURN OFF ELECTRICAL POWER TO THE APPLIANCE.
3. THIS APPLIANCE IS EQUIPPED WITH AN IGNITION DEVICE WHICH AUTOMATICALLY LIGHTS THE PILOT. DO NOT TRY TO LIGHT THE PILOT BY HAND.
4. OPEN THE GLASS DOOR.
5. TURN MANUAL SHUTOFF VALVE CLOCKWISE  TO OFF.
6. WAIT FIVE (5) MINUTES TO CLEAR OUT ANY GAS. IF YOU SMELL GAS, INCLUDING NEAR THE FLOOR, **STOP!** FOLLOW "B" OF THE OPERATING INSTRUCTIONS. IF YOU DON'T SMELL GAS, GO TO THE NEXT STEP.
7. TURN MANUAL SHUTOFF VALVE COUNTER-CLOCKWISE  TO ON.
8. CLOSE THE GLASS DOOR.
9. TURN ON ALL ELECTRICAL POWER TO THE APPLIANCE.
10. TURN ON MAIN BURNER.

1. **ARRÊTEZ!** LISEZ TOUTES LES INSTRUCTIONS DE FONCTIONNEMENT ET D'ALLUMAGE AVANT DE CONTINUER.
2. COUPEZ L'ALIMENTATION ÉLECTRIQUE À L'APPAREIL.
3. CET APPAREIL EST MUNI D'UN DISPOSITIF D'ALLUMAGE QUI ALLUME LA VEILLEUSE AUTOMATIQUEMENT. N'ESSAYEZ PAS D'ALLUMER LA VEILLEUSE MANUELLEMENT.
4. OUVREZ LA PORTE VITRÉE.
5. TOURNEZ LA SOUPAPE DE SECTIONNEMENT MANUELLE VERS LA DROITE  À « OFF ».
6. ATTENDEZ CINQ (5) MINUTES POUR QUE LE GAZ PUISSE S'ÉCHAPPER. SI VOUS DÉTECTEZ UNE ODEUR DE GAZ, **ARRÊTEZ!** SUIVEZ « B » DANS LES INSTRUCTIONS DE FONCTIONNEMENT.
7. SI IL N'Y A PAS D'ODEUR DE GAZ, PASSES À L'ÉTAPE SUIVANTE.
8. TOURNEZ LA SOUPAPE DE SECTIONNEMENT MANUELLE VERS LA GAUCHE  À « ON ».
9. FERMEZ LA PORTE VITRÉE.
10. RÉTABLISSEZ L'ALIMENTATION ÉLECTRIQUE AU FOYER.
11. ALLUMEZ LE BRÛLEUR PRINCIPAL.

**TO TURN OFF GAS / INSTRUCTIONS POUR COUPER LE GAZ**

1. TURN OFF ALL ELECTRICAL POWER TO THE APPLIANCE IF SERVICE IS TO BE PERFORMED.
2. TURN MANUAL SHUTOFF VALVE CLOCKWISE  TO OFF. DO NOT FORCE.

1. COUPEZ L'ALIMENTATION ÉLECTRIQUE AU FOYER SI UN TRAVAIL D'ENTRETIEN DOIT SE FAIRE.
2. TOURNEZ LA SOUPAPE D'ARRÊT MANUELLE VERS LA DROITE  À « OFF ». NE FORCEZ PAS.

W385-0460 / E

## 9.0 adjustment

### 9.1 pilot burner adjustment

Adjust the pilot screw to provide properly sized flame. Turn in a clockwise direction to reduce the gas flow.

#### Check Pressure Readings:

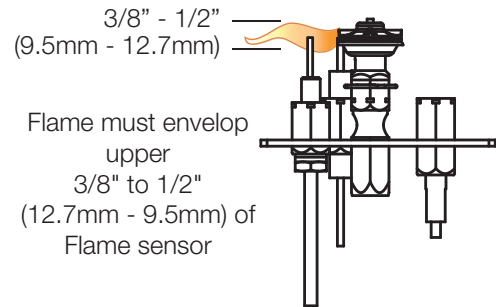
Inlet pressure can be checked by turning screw (A) counter-clockwise 2 or 3 turns and then placing pressure gauge tubing over the test point. Gauge should read as described on the chart below. Check pressure with main burner operating on "HI".

Outlet pressure can be checked the same as above using screw (B). Gauge should read as described on the chart below. Check pressure with main burner operating on "HI".

**After taking pressure readings, be sure to turn screws clockwise firmly to reseal. Do not overtorque.**

Leak test with a soap and water solution.

Prior to pilot adjustment, ensure that the pilot assembly has not been painted. If overspray or painting of the pilot assembly has occurred remove the paint from the pilot assembly, or replace. Fine emery cloth or a synthetic scrub pad (such as Scotch-Brite™) can be used to remove the paint from the pilot hood, electrode and flame sensor.



| Pressure | Natural Gas<br>(inches) | Natural Gas<br>(millibars) | Propane<br>(inches)  | Propane<br>(millibars)     |
|----------|-------------------------|----------------------------|----------------------|----------------------------|
| Inlet    | *7"<br>(minimum 4.5")   | 17.4mb<br>(minimum 11.2mb) | 13"<br>(minimum 11") | 32.4mb<br>(minimum 27.4mb) |
| Outlet   | 3.5"                    | 8.7mb                      | 10"                  | 24.9mb                     |

**\*Maximum inlet pressure not to exceed 13"**

### 9.2 venturi adjustment

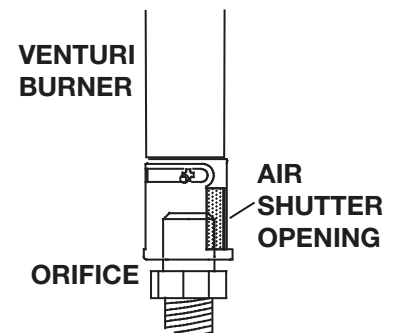
This appliance has an air shutter that has been factory set open according to the chart below:

Regardless of venturi orientation, closing the air shutter will cause a more yellow flame, but can lead to carbonization. Opening the air shutter will cause a more blue flame, but can cause flame lifting from the burner ports. The flame may not appear yellow immediately; allow 15 to 30 minutes for the final flame colour to be established.

**AIR SHUTTER ADJUSTMENT MUST ONLY BE DONE BY A QUALIFIED INSTALLER.**

#### note:

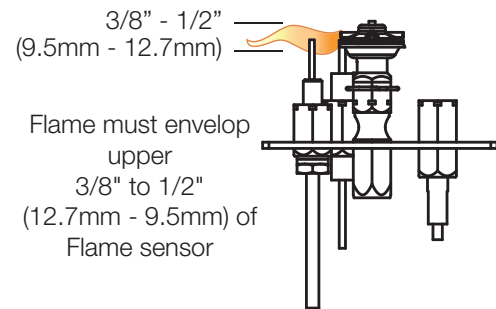
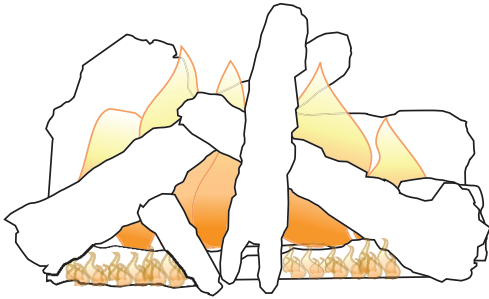
It is important that the orifice is securely inserted into the venturi.



| TDS60-1 |               |
|---------|---------------|
| NG      | 3/8" (9.5mm)  |
| P       | 5/16" (7.9mm) |

### 9.3 flame characteristics

It's important to periodically perform a visual check of the pilot and burner flames. Compare them to the illustration provided. If any flames appear abnormal, call a service person.



### 9.4 restricting vertical vents - model TDS60-1

Vertical installations may display a very active flame. If this appearance is not desirable, the vent exit must be restricted using a restrictor vent kit. Refer to the "**replacement parts**" section of the owner's manual for the appropriate kit. This will reduce the velocity of the exhaust gases, slowing down the flame pattern and creating a more traditional gentle flame appearance. Specific instructions are included with the kit.

## WARNING

- Turn off the gas and electrical power before servicing the appliance.
- Appliance may be hot. Do not service until appliance has cooled.
- Do not use abrasive cleaners on glass.
- Do not paint the pilot assembly.

This appliance and its venting system should be inspected before use and at least annually by a qualified service person. The following suggested checks should be performed by a qualified technician. The appliance area must be kept clear and free of combustible materials, gasoline, or other flammable vapors and liquids. The flow of combustion and ventilation air must not be obstructed.

### note:

Caution: Label all wires prior to disconnection when servicing controls. Wiring errors can cause improper and dangerous operation. Verify proper operation after servicing.

1. In order to properly clean the burner and pilot assembly, remove the logs, rocks and/or glass to expose both assemblies.
2. Keep the control compartment, media, burner, air shutter opening and the area surrounding the appliance clean by vacuuming or brushing, at least once a year.
3. Check to see that all burner ports are burning. Clean out any of the ports which may not be burning or are not burning properly.
4. Check to see that the pilot flame is large enough to engulf the flame sensor and/or thermocouple / thermopile as well as it reaches the burner.
5. If your appliance is equipped with a safety barrier, cleaning may be necessary due to excessive lint / dust from carpeting, pets, etc. simply vacuum using the brush attachment.
6. If your appliance is equipped with relief doors, ensure the system performs effectively. Check that the gasket is not worn or damaged. Replace if necessary.
7. Replace the cleaned logs, rocks or glass. Failure to properly position the media may cause carboning which can be distributed in the surrounding living area, inside the firebox and on exterior surfaces surrounding vent termination.
8. Check to see that the main burner ignites completely on all ports when turned on. A 5 to 10 second total light-up period is satisfactory. If ignition takes longer, consult your local authorized dealer / distributor.
9. Visually inspect the appliance for carbon build up. Using a small whisk or brush, brush off the carbon and vacuum up or sweep into garbage.
10. **This step is not applicable for Vent Free appliances:** Check to see that the appliance is venting correctly. Ensure chimney system is safe and unobstructed. (If for any reason the vent air intake system is disassembled, re-install and re-seal per the instructions provided for the initial installation).



## 10.1 annual maintenance

### **WARNING**

- Annual maintenance should be performed by a qualified service technician
- The firebox becomes very hot during operation. Let the appliance cool completely or wear heat resistant gloves before conducting service.
- Never vacuum hot embers.
- Do not paint the pilot assembly

- This appliance will require maintenance which should be planned on an annual basis.
- Service should include cleaning, battery replacement, venting inspection and inspection of the burner, media, and firebox. Refer to the door removal section and remove the door as instructed.
- Carefully remove media if necessary (logs, glass, brick panels, etc.).
- Using a vacuum with soft brush attachment, gently remove any dirt, debris, or carbon build up from the logs, firebox, and burner. For glass media, follow the installation instructions for pre-cleaning.
- Gently remove any build-up on the pilot assembly including thermopile, thermocouple, flame sensor, and igniter (if equipped).

**note:**

Clean flame sensor using a fine emery cloth or a synthetic scrub pad (such as Scotch-Brite™) to remove any oxides. Clean the pilot assembly using a vacuum with a soft brush attachment. It is important that the pilot assembly is not painted.

- Inspect all accessible gaskets and replace as required.
- If equipped with a blower, access the blower and clean using a soft brush and vacuum.
- Re-assemble the various components in reverse order.
- Inspect the relief system. The appliance relieves through the main glass door or through the flaps on the firebox top. Ensure they open freely, and close sealed.
- Check the gas control valve pilot and Hi / Lo knobs move freely, if equipped. Replace if any stiffness in movement is experienced.
- Check for gas leaks on all gas connections up and downstream from the gas valve including pilot tube connections.

## 10.2 care of glass

### **WARNING**

- Do not clean glass when hot! Do not use abrasive cleaners to clean glass.

Buff lightly with a clean dry soft cloth to remove accumulated dust or fingerprints. Clean both sides of the glass after the first 10 hours of operation with an ammonia-free glass cleaner.

**note:**

Vinegar-based glass cleaners have demonstrated an ability to provide a clean, streak free glass surface.

Thereafter, clean as required. If the glass is not kept clean permanent discoloration and / or blemishes may result. Contact you local authorized dealer / distributor for complete cleaning instructions.

Razor blades, steel wool, or other metallic objects must not be used on both surfaces of the glass. Doing so can remove a thin layer of metal from the razor blades, steel wool, or other metallic objects that may then be deposited onto the coating. This can result in a discoloured stain or scratch-like mark. More importantly, this can scratch the glass surface, thereby reducing its strength.

Do not operate the appliance with broken glass, as leakage of flue gases may result.

Contact your local authorized dealer / distributor for complete cleaning instructions.

If the glass should ever crack or break while the fire is burning, do not open the door until the fire is out. Do not operate the appliance until the glass has been replaced. Contact you local authorized dealer / distributor for replacement parts. **DO NOT SUBSTITUTE MATERIALS.**

This appliance is factory equipped with 5mm ceramic glass. Use only replacement parts as supplied by the appliance manufacturer. **DO NOT SUBSTITUTE MATERIALS.**

## 11.0 replacement parts

### **WARNING**

- Failure to position the parts in accordance with this manual or failure to use only parts specifically approved with this appliance may result in property damage or personal injury.

Contact your dealer for questions concerning prices and policies on replacement parts. Normally, all parts can be ordered through your Authorized dealer / distributor.

**For warranty replacement parts, a photocopy of the original invoice will be required to honour the claim.**

When ordering replacement parts always give the following information:

- Model & Serial Number of appliance
- Installation date of appliance
- Part number
- Description of part
- Finish

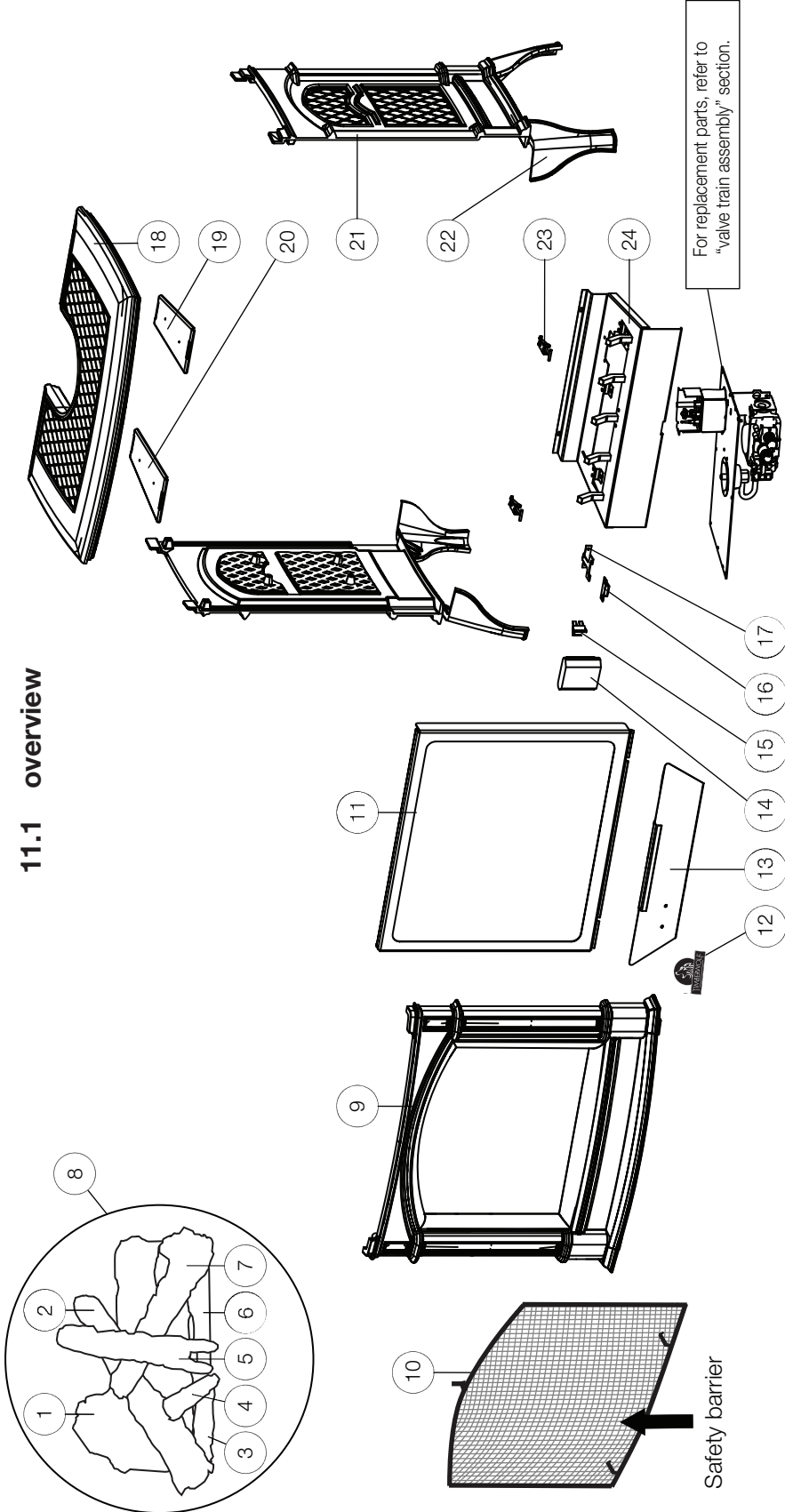
**Parts, part numbers, and availability are subject to change without notice.**

**Parts identified as stocked will be delivered within 2 to 5 business days for most delivery destinations.**

**Parts not identified as stocked will be delivered within a 2 to 4 week period, for most cases.**

**Parts identified as 'SO' are special order and can take up to 90 days for delivery.**

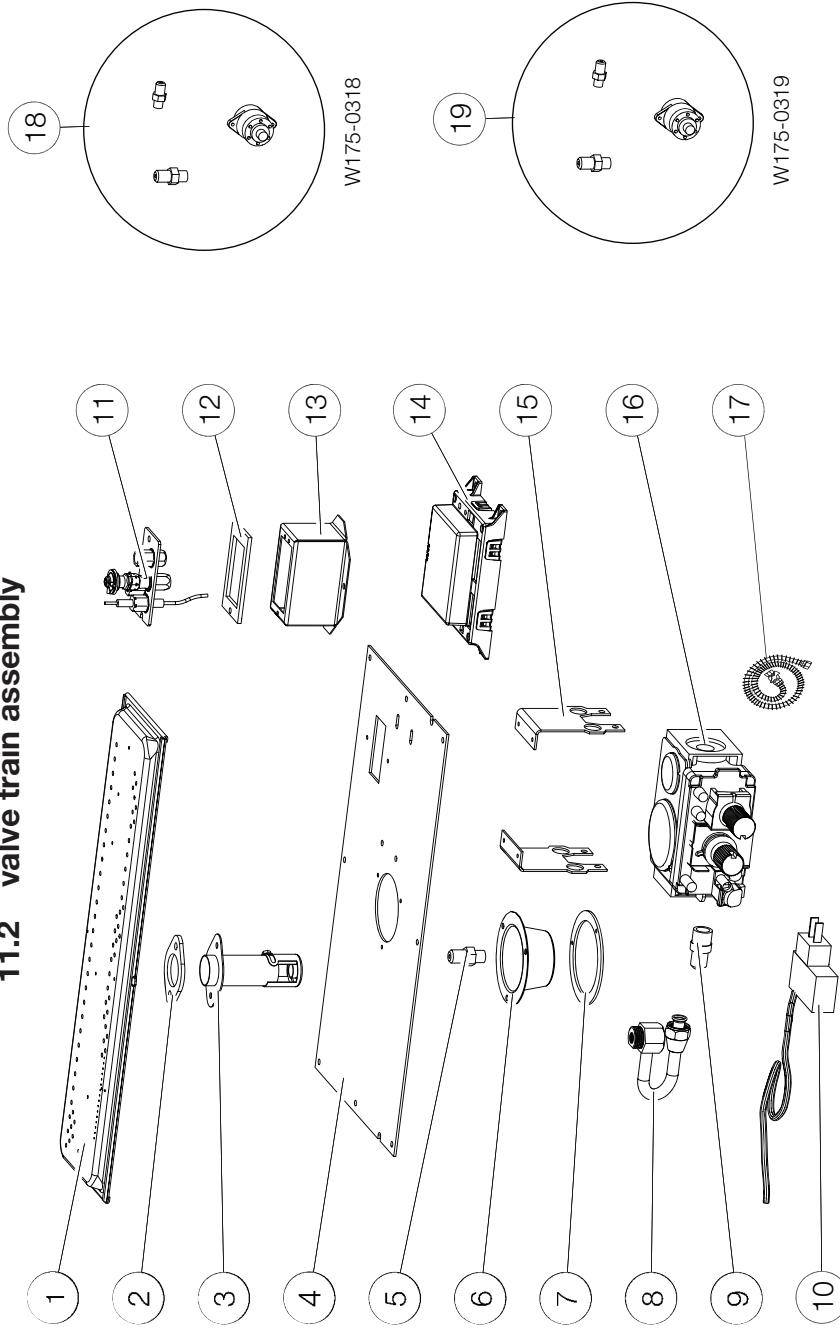
11.1 overview



Items may not appear exactly as illustrated.

| Ref. No. | Part number | Description                          | Stocked |
|----------|-------------|--------------------------------------|---------|
| 1        | W135-0209   | Rear log (GL-646)                    | Yes     |
| 2        | W135-0210   | Left crossover log (GL-646)          | Yes     |
| 3        | W135-0082   | Left charcoal log (GL-646)           | Yes     |
| 4        | W135-0211   | Small right log (GL-646)             | Yes     |
| 5        | W135-0212   | Middle crossover log (GL-646)        | Yes     |
| 6        | W135-0182   | Right charcoal log (GL-646)          | Yes     |
| 7        | W135-0213   | Right crossover log (GL-646)         | Yes     |
| 8        | GL-646      | Log set                              | Yes     |
| 9        | W135-0803   | Front casting (Metallic Black)       |         |
| 9        | W135-0803N  | Front casting (Majolica Brown)       |         |
| 10       | W010-3296   | Safety barrier assembly              |         |
| 11       | W010-2112   | Door assembly (c/w glass and gasket) | Yes     |
| 12       | W385-0487   | Timberwolf Logo                      | Yes     |
| 13       | W010-2114   | Control panel assembly               |         |
| 14       | W350-0342   | Battery housing                      | Yes     |
| 15       | W660-0009   | On / Off switch                      | Yes     |
| 16       | W430-0013   | Door catch magnet assembly           |         |
| 17       | W080-1009   | Magnet bracket                       | Yes     |
| 18       | W135-0802   | Top casting (Metallic Black)         | Yes     |
| 18       | W135-0802N  | Top casting (Majolica Brown)         | Yes     |
| 19       | W010-1596   | (RS) Relief door assembly            |         |
| 20       | W010-1607   | (LS) Relief door assembly            |         |
| 21       | W135-0804   | Side casting (X2) (Metallic Black)   | Yes     |
| 21       | W135-0804N  | Side casting (X2) (Majolica Brown)   | Yes     |
| 22       | W135-0805   | Feet casting (Metallic Black)        | Yes     |
| 22       | W135-0805N  | Feet casting (Majolica Brown)        | Yes     |
| 23       | W390-0001   | Door latches (X2)                    |         |
| 24       | W010-3074   | Log support assembly                 |         |

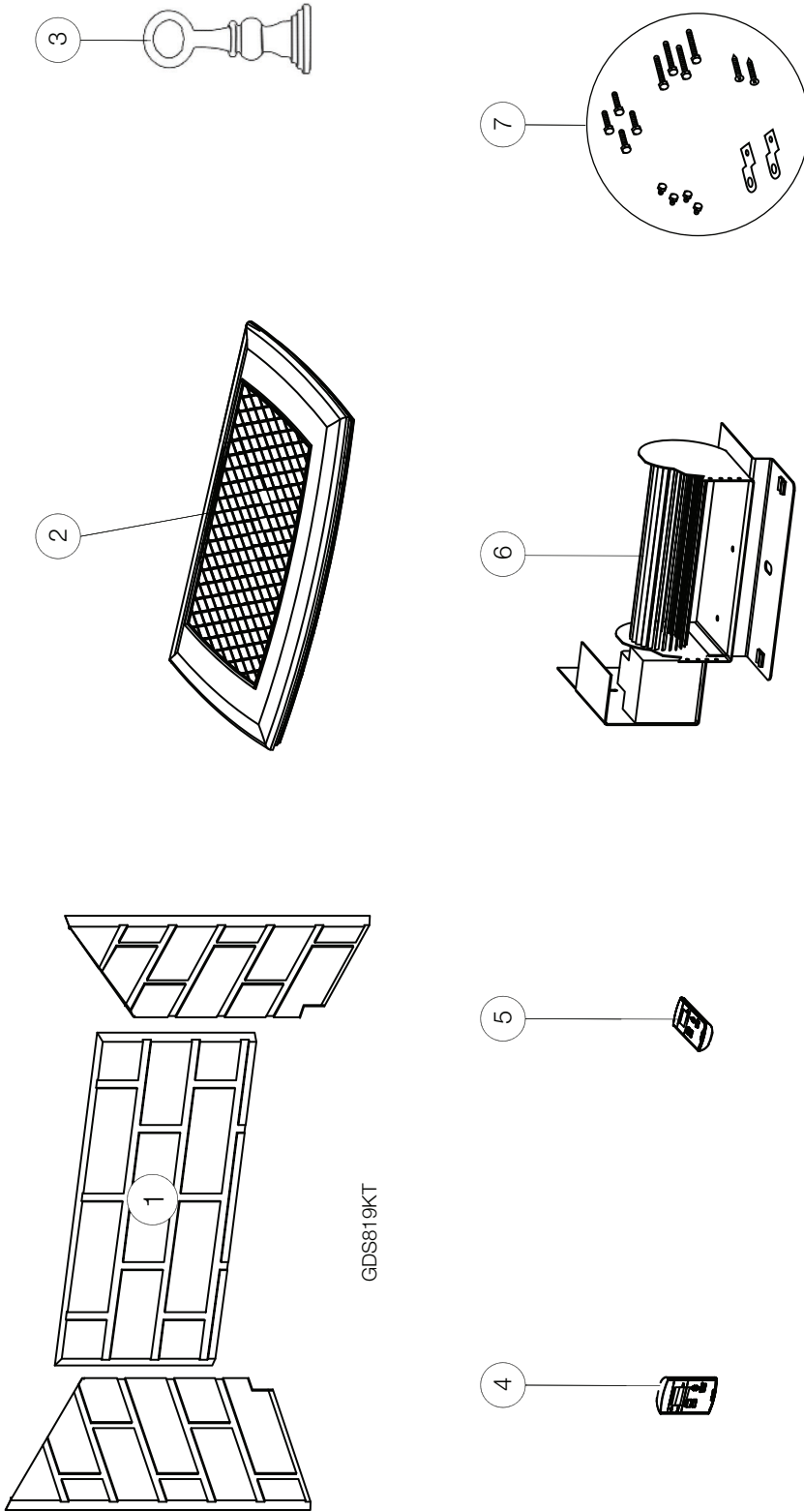
11.2 valve train assembly



Items may not appear exactly as illustrated

| Ref. No. | Part number | Description            | Stocked |
|----------|-------------|------------------------|---------|
| 1        | W100-0071   | Burner assembly        |         |
| 2        | W290-0018   | Venturi gasket         | Yes     |
| 3        | W720-0069   | Venturi                |         |
| 4        | W035-0289   | Burner base            | Yes     |
| 5        | W456-0035   | Burner orifice #35     | Yes     |
| 6        | W350-0417   | Venturi housing        |         |
| 7        | W290-0127   | Venturi housing gasket | Yes     |
| 8        | W432-0062   | 3/8" manifold          | Yes     |
| 9        | W445-0038   | 3/8" connector         | Yes     |
| 10       | W707-0010   | Transformer            | Yes     |

| Ref. No. | Part number | Description           | Stocked |
|----------|-------------|-----------------------|---------|
| 11       | W010-2763   | Pilot assembly        | Yes     |
| 12       | W290-0029   | Pilot gasket          | Yes     |
| 13       | W350-0227   | Pilot housing         |         |
| 14       | W190-0175   | Control board         | Yes     |
| 15       | W080-1004   | Valve bracket (X2)    |         |
| 16       | W725-0062   | Gas valve             | Yes     |
| 17       | W175-0217   | Flex connector        | Yes     |
| 18       | W175-0318   | Conversion kit (NG-P) | Yes     |
| 19       | W175-0319   | Conversion kit (P-NG) | Yes     |



GDS819KT

Items may not appear exactly as illustrated.

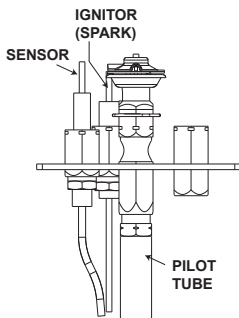
| Ref. No. | Part number | Description                       | Stocked | Ref. No. | Part number | Description                  | Stocked |
|----------|-------------|-----------------------------------|---------|----------|-------------|------------------------------|---------|
| 1        | GDS819KT    | Decorative Brick Panels Sandstone |         | 5        | F45 / F60   | Handheld remote control      |         |
| 2        | GS831K      | Trivet (black)                    |         | 6        | GS-64KT     | Blower kit                   |         |
| 3        | ANI-K       | Cast iron andirons (X2)           |         | 7        | GDSL-L-KT   | Leg levelling / securing kit |         |
| 4        | W660-0081   | Wall mounted thermostat           |         |          |             |                              |         |

# 13.0 troubleshooting

## ! WARNING

- Always light the pilot whether for the first time or if the gas supply has run out, with the glass door open or removed.
- Turn off gas and electrical power before servicing the appliance.
- Appliance may be hot. Do not service until appliance has cooled.
- Do not use abrasive cleaners

| symptom  | problem  | test solution   |
|--|--|---|
| Pilot will not light.<br>Makes noise with no spark at pilot burner.                    | Wiring.  | - Verify the wire for the sensor and the wire for the ignitor are connected to the correct terminals. (not reversed) on the module.<br>NOTE: Sensor has 3/16" (4.8mm) connection and ignitor has 1/8" (3.2mm) connection.   |
|  | Loose connection.  | - Verify no loose connections, electrical shorts in the wiring or ground out to any metal object.   |
|  | Module.  | Turn the ON / OFF switch to the "OFF" position. Remove the ignitor wire from the module. Place the ON / OFF switch to the "ON" position. Hold a grounded wire about 3/16" (4.8mm) away from the ignitor (spark) terminal on the module. If no spark, the ignitor terminal module must be replaced. If there is a spark, the ignitor terminal is fine. Inspect pilot assembly for a shorted wire or cracked insulator around the electrode.  |
|  | Ignitor spark gap is incorrect.  | - Spark gap the ignitor to the pilot should be 1/8" (3.2mm).  |
|  | Transformer.   | - Verify the transformer is installed and plugged into the module. Check voltage of the transformer under load at the spade connections on the module with the ON / OFF switch in the "ON" position. Acceptable readings of a good transformer are between 6.2 and 7.0 volts A.C.   |
|  | Battery backup (if power is off).  | - Check batteries.  |
|  | A shorted or loose connection.   | - Remove and reinstall the wiring harness that plugs into the module. Remove and verify continuity of each wire in wiring harness.  |
|  | Improper switch wiring.  | - Troubleshoot the system with the simplest ON / OFF switch.  |
| Pilot sparks but will not light.   | Module is not grounded.  | - Verify the valve and pilot assemblies are properly grounded to the metal chassis of the appliance or log set.   |
|  | Gas supply.  | - Verify that the incoming gas line and ball valve is "Open". Verify that the inlet pressure reading is within the acceptable limits. Inlet pressures must not exceed 14" w.c. (34mb).  |
| Carbon is being deposited on glass, logs, rocks, media or combustion chamber surfaces. | Out of propane gas.  | - Fill the tank.  |
|  | Air shutter has become blocked.  | - Ensure air shutter opening is free of lint or other obstructions.   |
| Continues to spark and pilot lights, but main burner will not light.                   | Flame is impinging on the glass, logs, rocks, media or combustion chamber. | - Check that the glass, logs, rocks or media are correctly positioned.<br>- Too much glass around the burner can cause carboning.<br>- Open air shutter to increase primary air.<br>- Check the input rate: check the manifold pressure and orifice size as specified by the rating plate values.<br>- Check that the door gasketing is not broken or missing and that the seal is tight.<br>- Check that both vent liners are free of holes and well sealed at all joints.<br>- Check that the minimum rise per foot has been adhered to for any horizontal venting. |
|  | Short or loose connection in sensor rod.                                   | - Verify all connections. Verify the connections from the pilot assembly are tight; also verify these connections are not grounding out to any metal.   |
|  | Poor flame rectification or contaminated sensor rod.                       | - Verify the flame is engulfing the sensor rod. This will increase the flame rectification. Verify correct pilot orifice is installed and inlet gas specifications to manual. (Remember, the flame carries the rectification current, not the gas. If the flame lifts from the pilot hood, the circuit is broken. A wrong orifice or too high of an inlet pressure can cause the pilot flame to lift). The sensor rod may need cleaning.  |
|  | Poor grounding between pilot assembly and gas valve.                       | - Verify that the wire harness is firmly connected to the module. Verify that the ceramic insulator around the sensor rod is not cracked, damaged, or loose. Verify the connection from the sensor rod to the sensor wire.  |
|  | Damaged pilot or dirty sensor rod.   | - Clean sensor rod with a fine steel wool to remove any contamination that may have accumulated on the sensor rod. Verify continuity with multimeter with ohms set at the lowest range.   |



| symptom   | problem   | test solution   |
|---|---|---|
| Pilot lights<br>Stops sparking / pilot<br>remains lit but burner<br>will not turn on. | Wiring / connection.  | - Inspect all wires, ensure good tight connections. Verify that all wiring is installed exactly as specified.   |
|   | Wiring harness.   | - Inspect the wiring harness and verify the harness is tightly connected to the module. Verify that all wires are connected in the right order. see "wiring diagram" section.   |
| Exhaust fumes smelled<br>in room, headaches.  | Appliance is spilling   | Check all seals.<br>Check if exhaust is re-entering through an open door or window.   |
| White / grey film forms.  | Sulphur from fuel is being deposited on glass, logs or combustion chamber surfaces. | - Clean the glass, see "care of glass" section.<br>- DO NOT CLEAN GLASS WHEN HOT.<br>- If deposits are not cleaned off regularly, the glass may become permanently marked.  |
| Flames are very aggressive<br><b>TDS60-1 ONLY</b>                                     | Door is ajar.   | - Tighten door clamps (if applicable).  |
|   | Venting action is too great.  | - Restrict vent exit with restrictor plate. See "restricting vents" section (if applicable).  |
| Main burner flame is a blue, lazy, transparent flame.<br><br><b>TDS60-1 ONLY</b>      | Blockage in vent.   | - Remove blockage. In extreme conditions, ice buildup may occur on the terminal and should be removed. To minimize this from happening again, it is recommended that the vent lengths that pass through unheated spaces (attics, garages, crawl spaces) should be wrapped with an insulated mylar sleeve. Prevent sleeve from sagging. Contact your local authorized dealer for more information. |
|   | Compromised venting.  | - Check venting system parameters (seal, length, rise, etc.).   |
| Main burner goes out;<br>pilot goes out.  | Vent recirculation.   | - Check joint seals and installation.   |
| Main burner and pilot<br>cycles on and off.   | Venting is spilling.  | - Test with spill switch bypassed. Replace if defective.<br>- Check for vent blockage.  |
| <b>TS60-1 ONLY</b>  |   |   |

## 14.0 warranty

Timberwolf® products are manufactured under the strict standard of the world recognized ISO 9001 : 2015 Quality Management System.

Timberwolf® products are designed with superior components and materials assembled by trained craftsmen who take great pride in their work. The burner and valve assembly are leak and test-fired at a quality test station. The complete appliance is again thoroughly inspected by a qualified technician before packaging to ensure that you, the customer, receives the quality product that you expect from Timberwolf®.

### Timberwolf® Gas Appliance Limited Warranty

The following materials and workmanship in your new Timberwolf® gas appliance are warranted against defects for a period of 5 years, this covers: combustion chamber, heat exchanger, stainless / steel burner, Phazer™ logs and embers, rocks, ceramic glass (thermal breakage only), gold plated parts against tarnishing, porcelainized enameled components and aluminum extrusion trims.\*

Electrical (110V and millivolt) components and wearable parts are covered and Timberwolf® will provide replacement parts free of charge during the first year of the limited warranty. This covers: blowers, gas valves, thermal switches, switches, wiring, remote controls, ignitors, gaskets and pilot assemblies.\*

Any labour related to warranty repair is not covered.

\* Construction of models vary. Warranty applies only to components included with your specific appliance.

### Conditions and Limitations

Timberwolf® warrants its products against manufacturing defects to the original purchaser only. Registering your warranty is not necessary. Simply provide your proof of purchase along with the model and serial number to make a warranty claim. Timberwolf® reserves the right to have its representative inspect any product or part thereof prior to honouring any warranty claim. Provided that the purchase was made through an authorized Timberwolf® dealer your appliance is subject to the following conditions and limitations:

Warranty coverage begins on the date of original installation. This factory warranty is non-transferable and may not be extended whatsoever by any of our representatives. The gas appliance must be installed by a licensed, authorized service technician or contractor. Installation must be done in accordance with the installation instructions included with the product and all local and national building and fire codes. This limited warranty does not cover damages caused by misuse, lack of maintenance, accident, alterations, abuse or neglect, and parts installed from other manufacturers will nullify this warranty. This limited warranty further does not cover any scratches, dents, corrosion or discoloring caused by excessive heat, abrasive and chemical cleaners nor chipping on porcelain enamel parts, mechanical breakage of Phazer™ logs and embers. In the first year only, this warranty extends to the repair or replacement of warranted parts which are defective in material or workmanship provided that the product has been operated in accordance with the operation instructions and under normal conditions. After the first year, with respect to this Limited Warranty, Timberwolf® may, at its discretion, fully discharge all obligations with respect to this warranty by refunding to the original warranted purchaser the wholesale price of any warranted but defective part(s).

Timberwolf® will not be responsible for installation, labour, or any other expenses related to the reinstallation of a warranted part and such expenses are not covered by this warranty. Notwithstanding any provisions contained in the Limited Warranty, Timberwolf®'s responsibility under this warranty is defined as above and it shall not in any event extend to any incidental, consequential or indirect damages. This warranty defines the obligations and liability of Timberwolf® with respect to the Timberwolf® gas appliance and any other warranties expressed or implied with respect to this product, its components or accessories are excluded. Timberwolf® neither assumes, nor authorizes any third party to assume, on its behalf, any other liabilities with respect to the sale of this product. Timberwolf® will not be responsible for: over-firing, downdrafts, spillage caused by environmental conditions such as rooftops, buildings, nearby trees, hills, mountains, inadequate vents or ventilation, excessive venting configurations, insufficient makeup air, or negative air pressures which may or may not be caused by mechanical systems such as exhaust fans, furnaces, clothes dryers, etc. Any damages to the appliance, combustion chamber, heat exchanger, plated trim or other components due to water, weather damage, long periods of dampness, condensation, damaging chemicals or cleaners will not be the responsibility of Timberwolf®. All parts replaced under the Limited Warranty Policy are subject to a single claim.

All parts replaced under the warranty will be covered for a period of 90 days from the date of their installation. The manufacturer may require that defective parts or products be returned or that digital pictures be provided to support the claim. Returned products are to be shipped prepaid to the manufacturer for investigation. If a product is found to be defective, the manufacturer will repair or replace such defect. Before shipping your appliance or defective components, your dealer must obtain an authorization number. Any merchandise shipped without authorization will be refused and returned to sender. Shipping costs are not covered under this warranty. Additional service fees may apply if you are seeking warranty service from a dealer. Labour, travel diagnostic tests, shipping and other related charges are not covered by this warranty.

All specifications and designed are subject to change without prior notice due to on-going product improvements. Timberwolf® is a registered trademark of Wolf Steel Ltd.







**TIMBERWOLF**

Produced and distributed by:

**WOLF STEEL** LTD.

24 Napoleon Road, Barrie, Ontario, Canada L4M 0G8  
Tel: 1-866-820-8686

[timberwolffireplaces.com](http://timberwolffireplaces.com)



TIMBERWOLF

# MANUEL D'INSTALLATION ET D'OPÉRATION

TDS60

## CONSIGNES DE SÉCURITÉ

### ⚠️ AVERTISSEMENT

#### RISQUE D'INCENDIE OU D'EXPLOSION

Incapacité à suivre ces avertissements exactement peuvent entraîner de grave blessures, des pertes de vie ou des dommages matériels.

- N'entreposez pas et n'utilisez pas d'essence ou autres liquides et vapeurs inflammables à proximité de cet appareil ou tout autre appareil.

#### - QUE FAIRE SI VOUS DÉTECTEZ UN ODEUR DE GAZ:

- N'allumez aucun appareil.
- Ne touchez à aucun interrupteur électrique; n'utilisez aucun téléphone dans votre immeuble.
- Appelez immédiatement votre fournisseur de gaz d'un téléphone voisin. Suivez ses instructions.
- Si vous ne pouvez pas rejoindre votre fournisseur de gaz, appelez le service des incendies.

- L'installation et l'entretien doivent être faits par un installateur qualifié, une agence d'entretien ou le fournisseur.

Cet appareil peut être installé dans une maison préfabriquée (mobile) déjà installée à demeure si les règlements locaux le permettent.

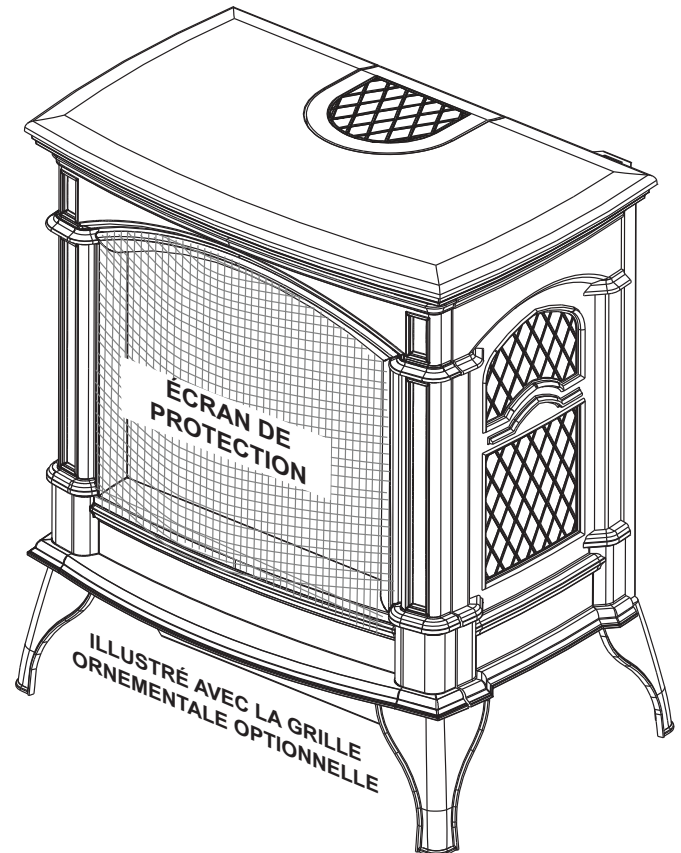
Cet appareil doit être utilisé uniquement avec le type de gaz indiqué sur la plaque d'homologation. Cet appareil ne peut être converti à d'autres gaz, sauf si une trousse de conversion est utilisée.

#### INSTALLATEUR:

Laissez ce manuel avec l'appareil

#### PROPRIÉTAIRE:

Conservez ce manuel pour consultation ultérieure



## POUR USAGE INTÉRIEUR SEULEMENT

CERTIFIÉ SELON LES NORMES NATIONALES CANADIENNES ET AMÉRICAINES: CSA 2.22 ET ANSI Z21.50 POUR LES APPAREILS À GAZ DÉCORATIF À ÉVACUATION

APPLY SERIAL NUMBER LABEL FROM CARTON



Wolf Steel Ltd., 24 Napoleon Rd., Barrie, ON, L4M 0G8 Canada / 103 Miller Drive, Crittenden, Kentucky, USA, 41030  
Téléphone 1(866)820-8686 • www.timberwolffireplaces.com • ask@timberwolffireplaces.com

## AVERTISSEMENT

- **Cet appareil est chaud lorsqu'il fonctionne et peut causer de graves brûlures en cas de contact.**
- **Toute modification apportée à cet appareil ou aux contrôles peut être dangereuse et est interdite.**
- Ne faites pas fonctionner l'appareil avant d'avoir lu et compris les instructions d'opération. Omettre d'utiliser l'appareil selon les instructions d'opération pourrait causer un incendie ou des blessures.
- S'assurez que la porte vitrée est ouverte ou retirée de l'appareil lorsque vous allumez le pilote pour la première fois et lorsque le gaz est épuisé.
- Risque d'incendie ou d'asphyxie, ne faites pas fonctionner l'appareil avec la vitre retirée et jamais obstruer l'ouverture sur le devant de l'appareil.
- Ne branchez pas la soupape à du courant 110 volts, avec les exceptions de modèles; GSST8 et GT8.
- Risque de brûlures. L'appareil doit être éteint et refroidi avant d'effectuer un entretien.
- N'installez pas de composants endommagés ou incomplets ni des composants substitués.
- Risque de coupures et d'éraflures. Portez des gants protecteurs, des chaussures de protection et des lunettes de sécurité lors de l'installation. Les bordures des pièces de métal peuvent être coupantes.
- Ne brûlez pas de bois ou autres matériaux dans cet appareil.
- Assurez-vous d'une quantité suffisante d'air de combustion et de ventilation. Prévoyez un accès suffisant pour entretenir et opérer l'appareil.
- Haute pression endommagera la soupape. Débrancher la tuyauterie d'alimentation en gaz avant de tester la pression de ligne de gaz à la pression d'essai au-dessus de 1/2 psig. Fermer l'arrêt manuel de la soupape avant de tester la pression de ligne de gaz à la pression égale ou inférieure à 1/2 psig (35 mb).
- L'appareil ne doit pas être utilisé aux températures au-dessous de zéro (32°F / 0°C). Permettre à l'appareil pour réchauffer au-dessus de zéro avant la fonctionnalité, avec l'exception de modèles; GSS36, GSS42; ces appareils sont adaptés pour 0°F / -18°C.
- **Les enfants et les adultes devraient être informés des dangers que posent les températures de surface élevées et se tenir à distance afin d'éviter des brûlures ou que leurs vêtements ne s'enflamment.**
- **Les jeunes enfants doivent être surveillés attentivement lorsqu'ils sont dans la même pièce que l'appareil. Les jeunes enfants et autres personnes à risque sont sujets aux brûlures accidentelles. Une barrière de protection est recommandée si des individus à risque se trouvent dans la maison. Afin de restreindre l'accès à l'appareil, installez une barrière de protection ajustable pour garder les jeunes enfants ou autres personnes à risque hors de la pièce et loin des surfaces chaudes.**
- **Les vêtements et autres matériaux combustibles ne doivent pas être posés sur l'appareil ou à proximité.**
- **En raison des températures élevées, l'appareil devrait être placé loin des endroits passants et loin des meubles et des rideaux.**
- Les meubles ou autres objets doivent être gardés à une distance d'au moins 4 pieds (1.22m) du devant de l'appareil.
- Assurez-vous de disposer de mesures de sécurité adéquates pour empêcher les jeunes enfants de toucher aux surfaces chaudes.
- Même une fois que l'appareil est éteint, l'appareil demeurera chaud pendant un temps prolongé.
- Consultez votre détaillant local de l'appareil pour connaître les écrans de protection et les protections du foyer offerts pour protéger les enfants des surfaces chaudes. Ces écrans de protection et les protections du foyer doivent être fixés au plancher.
- **Tout écran de protection, garde ou barrière enlevés pour faire l'entretien devront être remis en place avant d'utiliser l'appareil.**
- Il est primordial de garder propres les compartiments de contrôle, les brûleurs, la soufflerie, les bouches d'air de l'appareil ainsi que le système d'évacuation. L'appareil et son système d'évacuation doivent être inspectés avant la première utilisation et au moins une fois l'an par un spécialiste en entretien. Un entretien plus fréquent pourrait être nécessaire en raison des peluches provenant des tapis, literie, etc. L'emplacement de l'appareil doit être gardé libre de tous matériaux combustibles, essence ou autres liquides et vapeurs inflammables.
- Si l'appareil s'éteint, n'allumez pas l'appareil jusqu'à ce que vous donniez de l'air frais. Si l'appareil continue de s'éteindre, faire réparer. Garder propres le brûleur et le compartiment de contrôle.
- Cet appareil ne devra être modifié en aucun cas.
- Ne laissez pas les ventilateurs souffler directement sur l'appareil. Empêchez les courants d'air de modifier l'apparence de la flamme.

## AVERTISSEMENT

**LA VITRE CHAUDE CAUSERA DES BRÛLURES.**

**NE PAS TOUCHER LA VITRE AVANT QU'ELLE AIT REFROIDI.**

**NE JAMAIS LAISSER LES ENFANTS TOUCHER LA VITRE.**



Une barrière conçue à réduire le risque de brûlures causées par le verre chaud est fournie avec l'appareil et sera installée pour la protection des enfants et d'autres personnes à risque.

## AVERTISSEMENT

- N'utilisez pas une soufflerie intégrée, un échangeur de chaleur intégré ni un autre accessoire non approuvé pour cet appareil.
- Cet appareil ne doit pas être raccordé au conduit d'une cheminée desservant un autre appareil de chauffage à combustible solide.
- N'utilisez pas cet appareil si une partie quelconque a été submergée. Contactez immédiatement un technicien de service qualifié pour inspecter l'appareil et pour remplacer toute pièce du système de contrôle et du contrôle du gaz qui aurait été submergée.
- Ne pas opérer l'appareil lorsque la porte vitrée est enlevée, fissurée ou brisée. Le remplacement de la vitre devra être effectué par un technicien de service certifié ou qualifié, si équipé.
- Ne frappez pas et ne claquez pas la porte vitrée de l'appareil, si équipé.
- **Seulement les portes/façades certifiées pour l'appareil peuvent être utilisées avec cet appareil.**
- Gardez les matériaux d'emballage hors de la portée des enfants et mettez ces matériaux au rebut de façon sécuritaire. Comme tous les emballages de plastique, ces matériaux ne sont pas des jouets et doivent demeurer hors de la portée des enfants et des bébés.
- Le carbone ou la suie ne doit pas se produire dans un appareil sans événement car il peut être distribué dans une zone habitable de votre maison. Si vous remarquez des signes de carbone ou de suie, éteignez immédiatement votre appareil et arrangez-le pour le faire entretenir par un technicien qualifié avant de l'actionner à nouveau.
- Si équipé, l'écran doivent être (fermez) en place pendant le fonctionnement de l'appareil.
- Lorsque l'appareil est muni de portes d'évacuation de pression, elles doivent demeurer fermées pendant le fonctionnement de l'appareil afin d'empêcher les gaz de combustion contenant du monoxyde de carbone de s'infiltrer dans la maison. La température des gaz de combustion s'échappant par ces ouvertures peut aussi causer les matériaux combustibles avoisinants à surchauffer et à prendre feu.
- L'empoisonnement au monoxyde de carbone peut conduire à la mort; les premiers signes d'une intoxication au monoxyde de carbone ressemblent à la grippe, avec céphalées, vertiges et/ou des nausées. Si vous présentez ces signes, l'appareil peut ne pas fonctionner correctement. Obtenir l'air frais! Faire réparer l'appareil. Certaines personnes; les femmes enceintes, les personnes ayant une maladie cardiaque ou pulmonaire, anémie, ceux sous l'influence de l'alcool, ceux à haute altitude sont plus touchés par le monoxyde de carbone que d'autres. Défaut de garder l'ouverture d'air primaire(s) du brûleur(s) propre peut entraîner la formation de suies et dommages à la propriété.
- Comme dans le cas de tout appareil à combustion, il est recommandé de faire inspecter et entretenir votre appareil régulièrement. De même, installez un détecteur de monoxyde de carbone dans la pièce pour vous protéger, ainsi que votre famille, contre les intoxications (pas applicable pour les appareils pour l'extérieure).
- Assurez-vous que les distances requises pour les dégagements aux matériaux combustibles sont respectées lorsque vous installez une tablette décorative ou des tablettes au-dessus de l'appareil. En raison des températures élevées, un téléviseur ou d'autres composants électroniques pourraient être endommagés prématurément ou ils pourraient fondre, se déformer ou se décolorer.
- **Pour les appareils avec une barrière; si la barrière est endommagée, elle devra être remplacée par la barrière conçu par le fabricant pour cet appareil.**
- **L'installation et la réparation devraient être effectuées par un technicien qualifié. Il est impératif que les compartiments de contrôle, le brûleur et les passages de circulation d'air soient gardés propres afin de fournir une combustion et une circulation d'air adéquates.**
- Produits pour l'extérieur seulement: Cet appareil ne doit pas être installé à l'intérieur ni dans une structure qui empêche la dissipation des gaz de combustion dans l'environnement extérieur.
- S'il y a lieu, la version de millivolt de cet appareil utilise et requiert un thermocouple à action rapide. Remplacez uniquement par un thermocouple à action rapide de Wolf Steel Itée.

** AVERTISSEMENT: Ce produit peut vous exposer à des substances chimiques incluant le plomb et les composés de plomb qui, selon l'État de Californie, causeraient le cancer, et des substances chimiques incluant le monoxyde de carbone qui, selon d'État de Californie, causeraient des malformations congénitales ou autres dangers pour la reproduction. Pour de plus amples renseignements, visitez le [www.P65Warnings.ca.gov](http://www.P65Warnings.ca.gov).**

| <b> AVERTISSEMENT/ADVERTENCIA </b> |   |
|--|---|
| <b>RISQUE D'INCENDIE /<br/>RETARD D'ALLUMAGE</b>   | <b>RIESGO DE INCENDIO / PELIGRO<br/>DE ENCENDIDO DEMORADO</b>   |
| <b>Une pression d'alimentation élevée peut endommager la soupape et ses composantes.</b>   | <b>El suministro a alta presión dañará la válvula/los controles.</b>  |
| Débrancher la soupape de gaz de la ligne d'alimentation en gaz pendant les essais de pression de ce système lorsque les pressions excèdent 1/2 lb/po2 (3,5 kPa).   | Desconectar la válvula/el control principal de gas del aparato del caño de suministro cuando se compruebe la presión del sistema a más de 1/2 psi (3.5 kPa).            |
| Isoler l'appareil en fermant la soupape d'arrêt pendant tout essai de pression du système d'alimentation en gaz lorsque les pressions sont de 1/2 lb/po2 (3,5 kPa) ou moins.                               | Aislar el aparato con su válvula de cierre durante cualquier comprobación de la presión de la cañería de suministro a una presión igual o inferior a 1/2 psi (3.5 kPa). |
|   |    |

# table des matières

FR

|            |  |           |                 |       |  |
|------------|--|-----------|-----------------|-------|--|
| <b>1.0</b> | <b>information générale</b>                                      | <b>63</b> |                 |       |  |
| 1.1        | information à propos de la plaque d'homologation                 | 65        |                 | 4.7.1 | installation de la cheminée 90   |
| 1.2        | dimensions   | 65        |                 | 4.7.2 | installation du tirage naturel 91  |
| 1.3        | support de transport   | 66        |                 | 4.7.3 | tirage naturel 91  |
| <b>2.0</b> | <b>évacuation - modèle TDS60-1</b>                               | <b>67</b> |                 | 4.7.4 | air comburant 91   |
| 2.1        | installations typique d'événements                               | 68        |                 | 4.7.5 | ajout de sections d'événements 92  |
| 2.2        | installations particulière d'événements                          | 70        | <b>5.0</b>      | 4.7.6 | installation du solin et du collet de solin 93   |
| 2.2.1      | ensemble périscopique  | 70        | <b>5.0</b>      |       |  |
| 2.2.2      | installation en coin   | 70        | <b>finition</b> |       |  |
| 2.3        | dégagements de la terminaison                                    | 71        | 5.1             |       | enlèvement de la façade en fonte 94  |
| 2.4        | charte d'application des évacuations                             | 72        | 5.2             |       | installation et enlèvement de l'écran de protection 94   |
| 2.5        | légende  | 73        | 5.3             |       | enlèvement et installation de la porte vitrée 94   |
| 2.6        | valeur du coude en longueur d'événement                          | 73        | 5.4             |       | installation de boîtier de piles 96  |
| 2.7        | évacuation sur le dessus/terminaison horizontale                 | 74        | 5.5             |       | remplacement de la vitre de la porte 96  |
| 2.8        | évacuation sur le dessus / terminaison horizontale               | 75        | 5.6             |       | disposition des bûches 97  |
| 2.9        | évacuation à l'arrière / terminaison horizontale                 | 76        | 5.7             |       | mise en place du logo 98   |
| 2.10       | évacuation sur le dessus ou à l'arrière / terminaison verticale  | 78        | 5.8             |       | installation de l'interrupteur et du support 98  |
| <b>3.0</b> | <b>préparatifs pour l'installation - modèle TDS60-1</b>          | <b>80</b> | <b>6.0</b>      |       | <b>installation de la soufflerie 99</b>  |
| 3.1        | remplacement de l'injecteur du brûleur                           | 80        | <b>7.0</b>      |       | <b>schéma de câblage 100</b>   |
| 3.2        | modification d'évacuation sur le dessus à évacuation à l'arrière | 81        | 8.1             |       | instructions de fonctionnement 101   |
| <b>4.0</b> | <b>installation</b>  | <b>82</b> | <b>8.0</b>      |       | <b>opération 101</b>   |
| 4.1        | dégagements minimaux aux matériaux combustibles                  | 82        | 8.2             |       | veilleuse sur demande 102  |
| 4.1.1      | installation horizontale   | 83        | 8.3             |       | instructions de fonctionnement - pour votre sécurité, lisez ce qui suit avant d'allumer l'appareil 103 |
| 4.1.2      | installation verticale   | 84        | 8.4             |       | instructions d'allumage 103  |
| 4.1.3      | installation de la terminaison horizontale - modèle TDS60-1      | 85        | <b>9.0</b>      |       | <b>réglages 104</b>  |
| 4.1.4      | installation de la terminaison verticale - modèle TDS60-1        | 86        | 9.1             |       | réglage de la veilleuse 104  |
| 4.2        | raccordement des événements à l'appareil - modèle TDS60-1        | 87        | 9.2             |       | réglage du venturi 104   |
| 4.3        | terminaison verticale à travers une cheminée existante           | 88        | 9.3             |       | caractéristiques de la flamme 105  |
| 4.4        | installation dans une maison mobile - modèle TDS60-1             | 89        | 9.4             |       | étranglement des événements verticaux - modèle TDS60-1 105   |
| 4.5        | branchement du gaz   | 89        | <b>10.0</b>     |       | <b>entretien 106</b>   |
| 4.6        | interrupteur / thermostat mural optionnel                        | 89        | 10.1            |       | entretien annuel 107   |
| 4.7        | spécification pour le tirage naturel - modèle TS60-1             | 90        | 10.2            |       | soins de la vitre 107  |
|            |  |           | <b>11.0</b>     |       | <b>pièces de rechange 108</b>  |
|            |  |           | 11.1            |       | vue d'ensemble 109   |
|            |  |           | 11.2            |       | assemblage de la soupape 110   |
|            |  |           | <b>12.0</b>     |       | <b>accessoires 111</b>   |
|            |  |           | <b>13.0</b>     |       | <b>guide de dépannage 112</b>  |
|            |  |           | <b>14.0</b>     |       | <b>garantie 114</b>  |
|            |  |           | <b>15.0</b>     |       | <b>historique d'entretien 115</b>  |

**NOTE :** Les changements autres que de nature éditoriale sont dénotés par une ligne verticale dans la marge.

## Installateur, veuillez remplir les informations suivants:

Client: \_\_\_\_\_  
 Adresse: \_\_\_\_\_  
 Date d'Installation: \_\_\_\_\_  
 Location de l'Appareil: \_\_\_\_\_  
 Installateur: \_\_\_\_\_  
 Numéro de contact  
 du détaillant / distributeur: \_\_\_\_\_  
 # de Série: \_\_\_\_\_

Modèle:

**Gaz Naturel:**  TDS60-1N  
 TS60-1N

**Propane:**  TDS60-1P  
 TS60-1P

## 1.0 information générale

Lorsque l'appareil est installé à des élévations dépassant 4500 pieds (1371m), et en l'absence de recommandations spécifiques de l'autorité compétente locale, l'indice certifié du débit à haute altitude devra être réduit au taux de 4 % pour chaque 1000 pieds (308m) supplémentaires.

Le changement de l'apparence de la flamme de « HI » à « LO » est plus apparent pour le gaz naturel que pour le propane.

Les bruits causés par l'expansion et la contraction lors des cycles de chauffage et de refroidissement sont tout à fait normaux et il faut s'y attendre.

Cet appareil ne doit fonctionner qu'avec le gaz spécifié sur la plaque d'homologation. Cet appareil ne peut être converti à un autre type de gaz à moins d'utiliser un ensemble de conversion certifié.

**TDS60-1** - Cet appareil n'est pas approuvé pour installation dans un placard ou en retrait. Il est approuvé pour installation dans les salles de bain, les chambres à coucher et les chambres studio. Cet appareil peut être installé dans une maison mobile installée en permanence dans les endroits où les codes locaux ne l'interdisent pas.

**(Évacuation arrière)** Pour les installations à évacuation arrière qui se terminent horizontalement et ne comportent pas de conduits d'évents verticaux, le débit minimal doit être réduite à 21 000 BTU / h en changeant l'orifice (fourni).

**TS60-1** - Cet appareil est approuvé pour installation dans les salles de bain et les chambres studio.

|   | TDS60-1   |   | TS60-1                    |                          |
|---|---|---|---------------------------|--------------------------|
|   | GN  | P   | GN                        | P                        |
| Altitude (Pi)                                   | 0-4500  |   | 0-4500                    |                          |
| Débit minimal (BTU/H)                           | 35000 ( <b>Évac. dessus</b> )<br>21000 ( <b>Évac. arrière</b> ) | 31500 ( <b>Évac. dessus</b> )<br>22000 ( <b>Évac. arrière</b> ) | 35000                     | 31500                    |
| Débit maximal (BTU/H)                           | 27300   | 24570   | 27300                     | 24570                    |
| Pression minimale d'alimentation en gaz         | 4,5" Colonne d'eau (11mb)                                       | 11" Colonne d'eau (27mb)  | 4,5" Colonne d'eau (11mb) | 11" Colonne d'eau (27mb) |
| Pression maximale d'alimentation en gaz         | 7" Colonne d'eau (17mb)   | 13" Colonne d'eau (32mb)  | 7" Colonne d'eau (17mb)   | 13" Colonne d'eau (32mb) |
| Pression au collecteur (lorsque le gaz circule) | 3,5" Colonne d'eau (9mb)  | 10" Colonne d'eau (25mb)  | 3,5" Colonne d'eau (9mb)  | 10" Colonne d'eau (25mb) |



Les piles doivent être mises au rebut conformément aux lois et à la réglementation locales. Certaines piles peuvent être recyclées dans votre centre de recyclage local. Renseignez-vous auprès de votre municipalité au sujet des directives de recyclage.

## WARNING

- Always light the pilot - whether for the first time or if the gas supply has run out - with the glass door opened or removed.
- Provide adequate clearance for servicing and operating the appliance.
- Provide adequate ventilation.
- Never obstruct the front opening of the appliance.
- Objects placed in front of the appliance must be kept a minimum of 48" (121.9cm) from the front face of the appliance.
- Surfaces around and especially above the appliance can become hot. Avoid contact when the appliance is operating.
- Fire risk. Explosion hazard.
- High pressure will damage valve. Disconnect gas supply piping before pressure testing gas line at test pressures above 1/2psig. Close the manual shut-off valve before pressure testing gas line at test pressures equal to or less than 1/2psig (35mb).
- Use only Wolf Steel-approved optional accessories and replacement parts with this appliance. Using non-listed accessories (blowers, doors, louvers, trims, gas components, venting components, etc.) could result in a safety hazard and will void the warranty and certification.

**Cet appareil au gaz devrait être installé et entretenu par un installateur qualifié** en se conformant aux codes locaux. Les pratiques d'installation peuvent varier d'une région à l'autre. Il est donc important de connaître les normes spécifiques qui s'appliquent à votre région. Par exemple, dans l'état du Massachusetts:

- Ce produit doit être installé par un plombier certifié ou un installateur pour le gaz lorsque installé dans le Commonwealth du Massachusetts.
- Le registre de l'appareil doit être enlevé ou bloqué en le soudant en position ouverte avant d'installer un encastré ou un ensemble de bûches à gaz.
- La soupape d'arrêt doit être un robinet à gaz avec une poignée en T.
- Le raccord flexible ne doit pas mesurer plus que 36 pouces (914,4mm).
- Un détecteur de monoxyde de carbone est requis dans toutes les pièces contenant des appareils alimentés au gaz.
- L'appareil n'est pas approuvé pour installation dans une chambre à coucher ou une salle de bain à moins d'être un appareil avec une chambre de combustion scellée à évacuation directe.

L'installation doit se conformer aux codes locaux. En l'absence de codes locaux, l'installation doit être conforme au Code d'installation du gaz naturel et du propane CSA B149.1 au Canada ou au National Fuel Gas Code, ANSI Z223.1 / NFPA 54 aux États-Unis. Cet appareil convient pour installation dans une maison mobile si l'installation est conforme aux normes actuelles pour les maisons mobiles équipées au gaz CAN/CSA Z240 SÉRIE MM au Canada ou selon les normes ANSI Z223.1 et NFPA 54 aux États-Unis.

L'alimentation de gaz de l'appareil doit être débranchée pendant les essais de pression de ce système lorsque les pressions d'essai excèdent  $\frac{1}{2}$  lb/po<sup>2</sup> (3,5 kpa). Fermez la soupape d'arrêt manuelle pendant tout essai de pression du système d'alimentation en gaz lorsque la pression est de  $\frac{1}{2}$  lb/po<sup>2</sup> (3,5 mb) ou moins. Si la soufflerie ou ventilateur est installer la boîte de dérivation doit être branchée au circuit électrique et mise à la terre conformément aux codes locaux. En l'absence de codes locaux utilisez la version courante du Code Canadien de l'Électricité CSA C22.1 au Canada ou le National Electrical Code ANSI/NFPA 70 aux États-Unis. Dans le cas où le soufflerie est équipé d'un cordon d'alimentation il doit être connecté à une réceptacle correctement mise à la terre. La fiche de mise à la terre ne doit pas être retiré du cordon d'alimentation.

Ce qui suit ne s'applique pas aux foyers encastrés; tant que les distances requises pour les dégagements aux matériaux combustibles sont respectées, le meilleur endroit pour un appareil est le centre de la maison, car ceci permet une meilleure utilisation de la chaleur fournie. L'emplacement des fenêtres, des portes et la circulation dans la pièce où se trouve l'appareil devront être pris en considération. Si possible, vous devriez choisir un emplacement où le système d'évent peut passer à travers la maison sans avoir à découper des solives de plancher ou de toit, sauf indication contraire à l'essai.

**NATIONAL  
FIREPLACE  
INSTITUTE**



**CERTIFIED**

[www.nficertified.org](http://www.nficertified.org)

Nous suggérons que nos appareils au gaz soient installés et que l'entretien soit effectué par des professionnels certifiés par le National Fireplace Institute® (NFI) comme spécialiste du gaz NFI.




Lorsque l'appareil est installé directement sur un tapis, sur une surface de vinyle ou tout autre revêtement de plancher combustible autre que le bois, l'appareil devra être monté sur un panneau continu de métal ou de bois se prolongeant sur toute la largeur et la profondeur.

S'il est équipé d'une soufflerie, l'appareil doit être branché au circuit électrique et mis à la terre conformément aux codes locaux. En l'absence de codes locaux, utilisez la version courante du CODE CANADIEN DE L'ÉLECTRICITÉ CSA C22.1 au Canada ou du NATIONAL ELECTRICAL CODE ANSI/NFPA 70-1996 aux États-Unis. Le cordon d'alimentation de la soufflerie doit être branché dans une prise adéquatement mise à la terre. Ne retirez pas la pointe de mise à la terre de la fiche du cordon d'alimentation.

## 1.1 information à propos de la plaque d'homologation

Certified to Canadian and American National Standards: **CSA 2.22-XXXX / ANSI Z21.50-XXXX for Vented Decorative Gas Appliances**  
 Certifié selon les normes Nationales Canadiennes et Américaines: **CSA 2.22-XXXX / ANSI Z21.50-XXXX pour les Appareils à gaz décoratif à évacuation**

Direct vent, vented gas fireplaces. Approved for bedroom, bathroom and bed-sitting room installation. Suitable for mobile home installation, if installed in accordance with the current standard CAN / CSA Z240MH Series gas equipped mobile homes in Canada, or, in the United States, the *Manufactured Home Construction and Safety Standard, Title 24 CFR, Part 3280*. When this US Standard is not applicable, use the *Standard for Fire Safety Criteria for Manufactured Home Installations, Sites and Communities, ANSI / NFPA 501A*. This appliance must be installed in accordance with local codes, if any; if none, follow the current ANSI Z223.1 or CSA B149. **For use with barrier WXXX-XXXX. Follow installation instructions.**  
 Foyer à gaz ventilé. Homologué pour installation dans une chambre à coucher, une salle de bain et un studio. Appropriate pour installation dans une maison mobile si son installation conforme aux exigences de la norme CAN / CSA Z240MH Séries de maisons mobile équipées au gaz en vigueur au Canada, ou, aux États-Unis selon la norme 24 CFR, Part 3280, *Manufactured Home Construction and Safety Standard*. Dans le cas où cette norme d'États-Unis n'est pas pertinente, utiliser la norme *NFPA 501A Fire Safety Criteria for Manufactured Home Installations, Sites and Communities*. Installer l'appareil selon les codes ou règlements locaux ou, en l'absence de tels règlements, selon les codes d'installation ANSI Z223.1 ou CSA B149 en vigueur. **Utiliser uniquement avec l'écran WXXX-XXXX. Suivre les instructions d'installation.**



REFERENCE# 161746

**VENTED DECORATIVE GAS APPLIANCE: NOT A SOURCE OF HEAT, NOT INTENDED FOR USE AS A HEATING APPLIANCE, NOT FOR USE WITH SOLID FUEL.**  
**APPAREIL À GAZ DÉCORATIF À ÉVACUATION: N'EST PAS UNE SOURCE DE CHALEUR; N'EST PAS DESTINÉ À ÊTRE UTILISÉ COMME UN APPAREIL DE CHAUFFAGE; NE CONVIENT PAS AUX COMBUSTIBLES SOLIDES.**

**FOR USE WITH GLASS DOORS CERTIFIED WITH THIS APPLIANCE ONLY. POUR UTILISATION UNIQUEMENT AVEC LES PORTES EN VERRE CERTIFIÉES AVEC L'APPAREIL.**

For natural gas when equipped with No. XX drill size orifice.  
 For propane when equipped with No. XX drill size orifice.  
 Convient au gaz naturel quand l'appareil est muni d'un injecteur de diamètre no. XX.  
 Convient au propane quand l'appareil est muni d'un injecteur de diamètre no. XX.

**WARNING:** Do not add any material to the appliance which will come in contact with the flames, other than that supplied by the manufacturer with the appliance.  
**AVERTISSEMENT:** N'ajoutez pas à cet appareil aucun matériau devant entretenir contact avec les flammes autre que celui qui est fourni avec cet appareil par le fabricant.

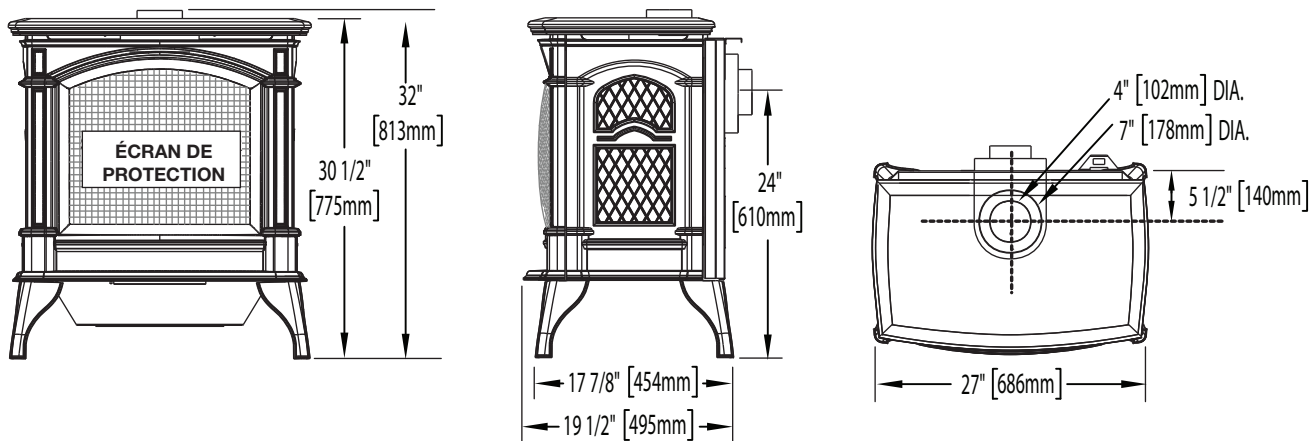
The appliance must be vented using the appropriate Napoleon vent kits. See installation manual for venting specifications. Proper reinstallation and resealing is necessary after servicing the vent-air intake system.  
 L'appareil doit être ventilé à l'aide de l'ensemble d'évacuation propre à Napoleon. Référez au manuel d'installation pour les spécifications d'évacuation. Il est nécessaire de bien réinstaller et resceller l'évacuation après avoir exécuté l'entretien du système de prise d'air.

**Serial Number / N° de Série: XXXX** **W385-XXXX**

Cette illustration est à titre de référence seulement. Consultez la plaque d'homologation pour obtenir l'information précise.

**NOTE:** La plaque d'homologation doit rester avec l'appareil à tout le temps. Il ne doit pas être enlevé.

## 1.2 dimensions



### **! AVERTISSEMENT**

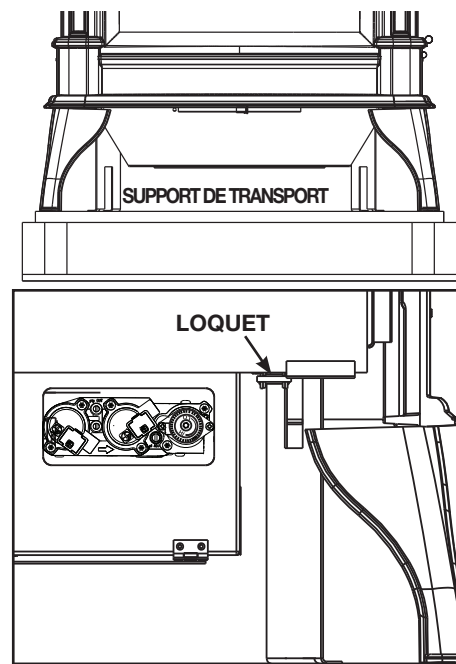
- Le dessus du poêle n'est pas fixé à l'appareil. Il repose sur l'appareil, tel un couvercle. À des fins de transport, il est maintenu en place à l'aide de courroies de plastique. Une fois les courroies coupées, le dessus du poêle doit être soulevé minutieusement et rangé dans un endroit sécuritaire pour éviter de l'endommager durant l'installation de l'appareil. Pour éviter tous dommages à l'appareil durant le transport, un support de transport a été installé et doit être retiré avant l'installation de l'appareil.

#### **ENLÈVEMENT DU SUPPORT DE TRANSPORT**

- A. Enlevez les 4 vis retenant le support de transport au bas de l'appareil.
- B. Soulevez l'appareil hors de la palette et placez-le sur une surface plate.
- C. Jetez les vis, le support et la palette.

#### **ENLÈVEMENT DE LA PORTE VITRÉE**

- A. Retirez la pièce moulée supérieure de l'appareil.
- B. Ouvrez la porte de contrôle de la soupape. Tirez la poignée des loquets vers l'avant pour ouvrir. La porte peut maintenant être enlevée en toute sécurité, en tirant sur le bas et en la soulevant.



## AVERTISSEMENT

- Risque d'incendie. Conservez les dégagements nécessaires au conduit d'évent et à l'appareil.
- Les courses horizontales et verticales du système doivent être supportées à tous les 3 pi (0,9m). Utilisez l'ensemble de support mural Wolf Steel W010-0067 ou des attaches incombustibles équivalents afin de maintenir le dégagement aux matériaux combustibles pour les courses verticales et horizontales. Des espaceurs sont fixés au conduit intérieur à intervalles prédéterminé afin de garder un espace vide avec le conduit extérieur. Pour que le fonctionnement soit sécuritaire, un espace vide est requis. Un espaceur est requis au début, au milieu et à la fin de chaque coude afin de maintenir cet espace vide. N'enlevez pas ces espaceurs.

**Cet appareil utilise un système de conduits de 4" (102mm) pour l'évacuation et de 7" (178mm) pour la prise d'air.**

**Veillez consulter la section qui correspond à votre installation.**

Afin d'assurer un fonctionnement sécuritaire et adéquat de l'appareil, vous devez observer les instructions d'évacuation à la lettre. Un changement à la longueur verticale minimale de l'évacuation pourrait entraîner des problèmes d'allumage du brûleur et/ou des accumulations de carbone. Sous des configurations d'évacuation extrêmes, allouez de 5 à 15 minutes pour que la flamme se stabilise après l'allumage. Il est suggéré fortement de les événements qui passent à travers des espaces non chauffés (greniers, garages, espaces réduits) devraient être recouverts d'un manchon isolant pour minimiser la condensation. Prévoyez un moyen d'inspecter visuellement le raccord des événements à l'appareil après que l'appareil est installé. Utilisez un espaceur coupe-feu, un protecteur de conduit d'évacuation ou un écran thermique de grenier lorsque les murs intérieurs, le plancher ou le plafond sont traversés.

La terminaison peut être peinte avec une peinture haute température pour faire correspondre les couleurs extérieures. Utilisez une peinture extérieure pour 400°F (200°C). Application et performance de la peinture est la responsabilité du consommateur. Spot test est recommandé.

### note:

Si pour une raison quelconque le système d'évents de prise d'air est démonté, réinstallez-le selon les instructions fournies dans l'installation initiale.

Cet appareil doit être installé de manière à ce que le conduit d'évacuation et de prise d'air se prolongent sur toute la longueur de la cheminée. Toute autre méthode d'installation telle que d'utiliser la cheminée comme partie du système d'évent est interdite.

Utilisez uniquement des composants d'évacuation Wolf Steel, Simpson Dura-Vent, Selkirk Direct Temp, American Metal Amerivent ou Metal-Fab. Les minimums et maximums des longueurs d'évent, pour les installations verticales et horizontales, et les emplacements des terminaisons pour les deux systèmes sont précisés dans ce manuel et doivent être respectés. Pour le Simpson Duravent, le Selkirk Direct Temp, l'American Metal Amerivent et le Metal-Fab, suivez la procédure d'installation fournie avec les composants d'évacuation.

Un adaptateur de départ est nécessaire et peut être acheté chez le fournisseur correspondant :

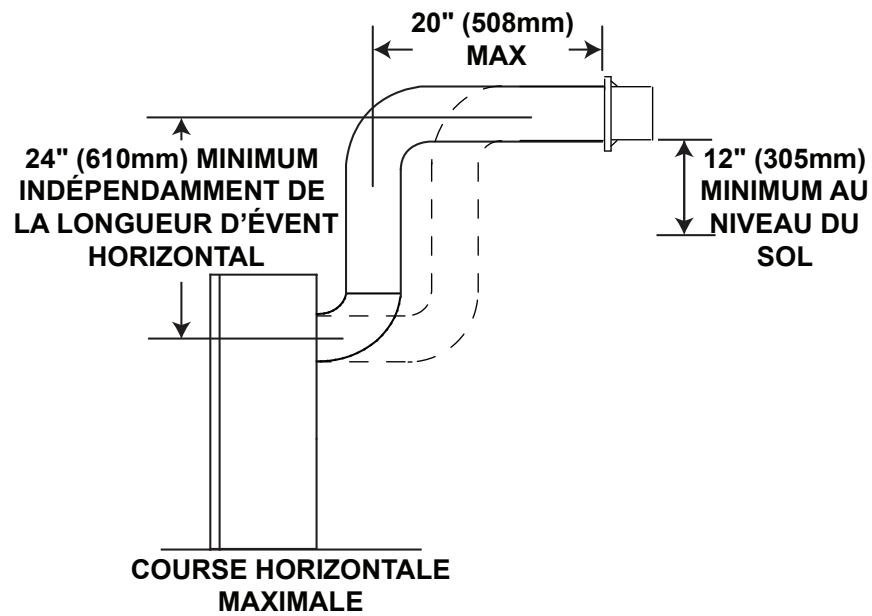
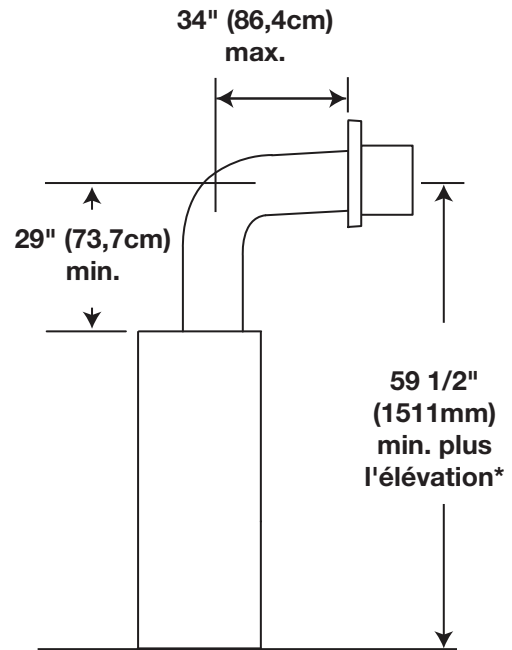
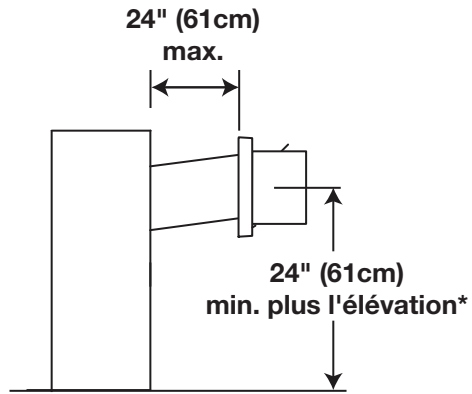
| Système d'évacuation | No. de pièce de l'adaptateur de départ | Fournisseur    | Site Web                      |
|----------------------|--|----------------|-------------------------------|
| Duravent             | GDS924N                                | Wolf Steel     | www.duravent.com              |
| Amerivent            | 4DSCB-N1 (poêles)<br>4DSC-N2 (foyers)  | American Metal | www.americanmetalproducts.com |
| Direct Temp          | 4DT-AAN                                | Selkirk        | www.selkirkcorp.com           |
| SureSeal             | 4DNA                                   | Metal-Fab      | www.mtlfab.com                |

Pour les systèmes d'évents dont le conduit intérieur d'évacuation possède déjà des joints scellés, seuls les joints du conduit extérieur de prise d'air doivent être scellés avec un scellant de silicone rouge à haute température (RTV). Ce même scellant peut être utilisé sur les joints des conduits intérieurs et extérieurs de tous les autres systèmes d'évents approuvés à l'exception du raccordement du conduit d'évacuation à la buse du foyer qui doit être scellé avec le scellant noir à haute température Mill Pac. Le scellant à haute température doit être commandé séparément.

Lorsque vous utilisez des composants d'évacuation de Wolf Steel: n'utilisez que des composants flexibles/rigides d'évacuation Wolf Steel Itée conjointement avec les ensembles de terminaison suivants : les ensembles de terminaison murale **GD222**, **GD222R**, **ST47U**, ou l'ensemble de terminaison pour toit de pente 1/12 à 7/12 **GD110**, l'ensemble de terminaison pour toit de pente 8/12 à 12/12 **GD111**, l'ensemble de terminaison pour toit plat **GD112** ou l'ensemble périscopique **GD201** (pour pénétration des murs sous le niveau du sol). Lorsque vous utilisez des conduits flexibles, conjointement avec les différentes terminaisons, utilisez l'ensemble d'évents de 5PI (1,5m) **GD220** ou l'ensemble d'évents de 10PI (3,1m) **GD330**. Pour les poêles seulement: ensembles de terminaison murale **GD175** (systèmes d'évents fourni).

**Pour une performance optimale de l'appareil et une apparence optimale des flammes, gardez la longueur des événements et le nombre de coudes au minimum.**





\* Voir la section « évacuation ».

# évacuation

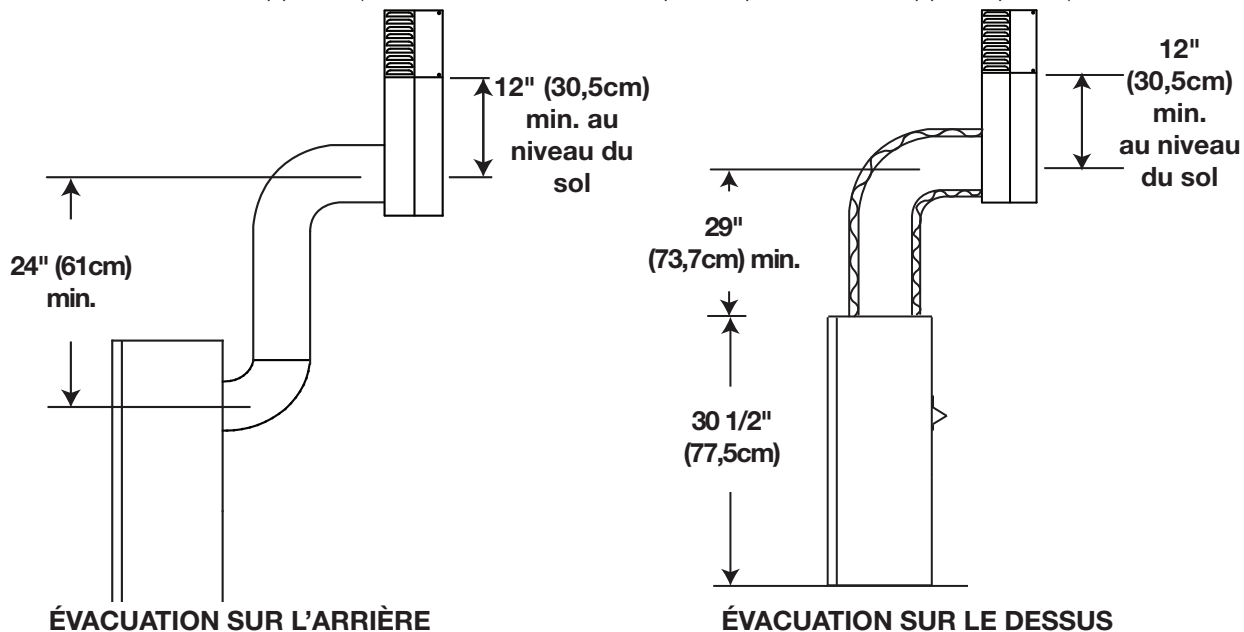
FR

## 2.2 installations particulière d'évents

### 2.2.1 ensemble périscopique

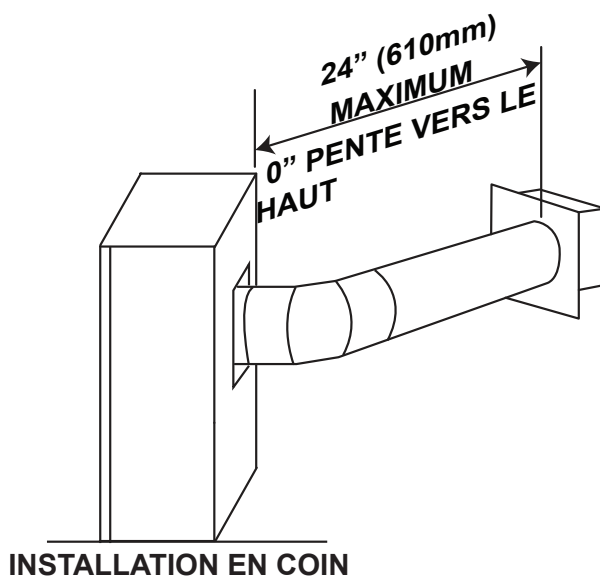
Utilisez l'ensemble périscopique afin de positionner la terminaison au-dessus du niveau du sol. L'ensemble périscopique doit être installé de façon à ce que la fente d'air du bas soit située à un minimum de 12 pouces (305mm) au-dessus du niveau du sol. La longueur maximale permise de l'évent (comprenant l'hauteur et la longueur) est 10 pieds (3m) pour une foyer et 8 pieds (2m) pour une poêle.

Un manchon isolant est illustré dans l'illustration ci-dessous de l'évacuation sur le dessus, utiliser seulement lorsqu'ils sont fournis avec l'appareil. (Un manchon isolant n'est pas requis avec une appareil poêle.)

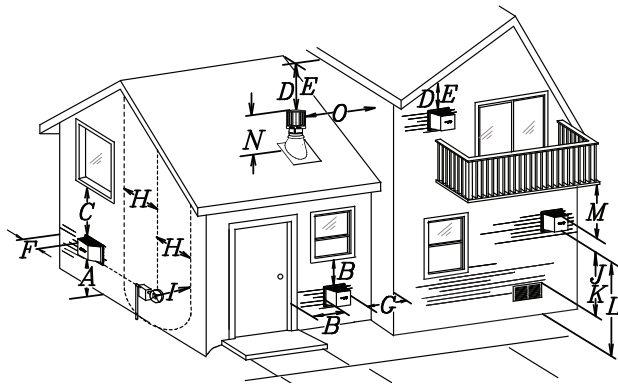


### 2.2.2 installation en coin

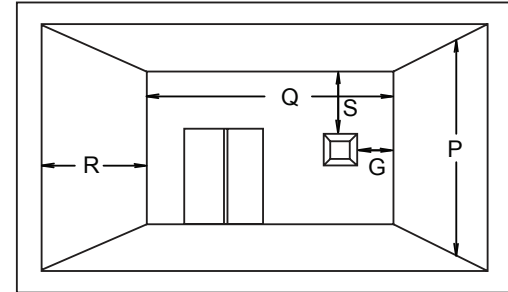
Lorsque l'évent est installé en coin, la longueur maximale du conduit d'évacuation est de 24" (610mm).



## 2.3 dégagements de la terminaison



### Applications pour balcon couvert ††\*



|   |   |   |
|---|---|---|
| $Q_{\text{MIN}} = 3 \text{ feet}$<br>(0.9m) | $R_{\text{MAX}} = 2 \times Q_{\text{ACTUAL}}$ | $R_{\text{MAX}} \leq 15 \text{ feet}$<br>(4.6m) |
|---|---|---|

**note:**

Les terminaux du mur sont à des fins d'illustration seulement. La taille et les formes peuvent varier.

|          | INSTALLATIONS             |                         |   |
|----------|---------------------------|-------------------------|---|
|          | CANADA                    | É.-U.                   |   |
| <b>A</b> | 12" (30,5cm)              | 12" (30,5cm)            | Dégagement au-dessus du sol, d'une véranda, d'une terrasse en bois ou d'un balcon.  |
| <b>B</b> | 12" (30,5cm) <sup>Δ</sup> | 9" (229mm) <sup>Δ</sup> | Dégagement des fenêtres ou des portes qui ouvrent.  |
| <b>C</b> | 12" (30,5cm)*             | 12" (30,5cm)*           | Dégagement des fenêtres fermées en permanence.  |
| <b>D</b> | 18"<br>(45,7cm)**         | 18"<br>(45,7cm)**       | Dégagement verticale d'un soffite ventilé situé au-dessus de la terminaison si la distance horizontale est de moins de 2' (0,6m) de la ligne médiane de la terminaison.                             |
| <b>E</b> | 12" (30,5cm)**            | 12" (30,5cm)**          | Dégagement d'un soffite non ventilé.  |
| <b>F</b> | 0" (0mm)                  | 0" (0mm)                | Dégagement des murs faisant coin extérieur.   |
| <b>G</b> | 0" (0mm)***               | 0" (0mm)***             | Dégagement des murs extérieurs incombustibles faisant coin intérieur ou aux obstructions incombustibles (cheminée, etc.)  |
|          | 2" (51mm)***              | 2" (51mm)***            | Dégagement des murs extérieurs combustibles faisant coin intérieur ou aux obstructions combustibles (habillage extérieur, etc.).  |
| <b>H</b> | 3' (0,9m)                 | 3' (0,9m)****           | Dégagement horizontale de chaque côté depuis la ligne verticale tirée du centre d'un ensemble de régulateur/compteur pour une distance verticale maximale de 15' (4,6m).                            |
| <b>I</b> | 3' (0,9m)                 | 3' (0,9m)****           | Dégagement d l'évent du régulateur.   |
| <b>J</b> | 12" (30,5cm)              | 9" (229mm)              | Dégagement d'une prise d'air de ventilation non mécanique de la maison ou d'une prise d'air de combustion de tout autre appareil.   |
| <b>K</b> | 6' (1,8m)                 | 3' (0,9m) †             | Dégagement d'une prise d'air mécanique.   |
| <b>L</b> | 7' (2,1m) ‡               | 7' (2,1m) ****          | Dégagement au-dessus d'un trottoir ou d'une entrée pavée situées sur une propriété publique.  |
| <b>M</b> | 12" (30,5cm)††            | 12" (30,5cm)****        | Dégagement sous une véranda, une porche, une terrasse en bois ou un surplomb.   |
| <b>N</b> | 16" (40,6cm)              | 16" (40,6cm)            | Dégagement au-dessus du toit.   |
| <b>O</b> | 2' (0,6m)†*               | 2' (0,6m) †*            | Dégagement des murs adjacents, incluant les maisons voisines.   |
| <b>P</b> | 8' (2,4m)                 | 8' (2,4m)               | Le toit doit être incombustible et sans ouvertures.   |
| <b>Q</b> | 3' (0,9m)                 | 3' (0,9m)               | Voir le tableau pour les dimensions d'un mur plus large.  |
| <b>R</b> | 6' (1,8m)                 | 6' (1,8m)               | Voir le tableau pour les dimensions d'un mur plus profond. La terminaison ne doit pas être installée sur quelconque mur ayant une ouverture entre la terminaison et le côté ouvert de la structure. |
| <b>S</b> | 12" (30,5cm)              | 12" (30,5cm)            | Dégagement sous un balcon ouvert.   |

Δ Pour les structures comportant trois murs et un toit, la terminaison doit être située à plus de 6 pieds (1,8m) sous une fenêtre s'ouvrant sur un plan horizontal.

\* Recommandé afin de prévenir la formation de buée dans les fenêtres et les cassures thermiques.

\*\* Il est recommandé d'utiliser un protecteur de chaleur et de maximiser la distance au soffite de plastique.

\*\*\* L'ensemble périscopique requiert un dégagement minimal de 18 pouces (45,7cm) d'un mur extérieur faisant coin intérieur.

\*\*\*\* Ceci est une distance recommandée. Vérifiez les codes locaux pour connaître les contraintes additionnelles.

† Trois pieds au-dessus si la distance horizontale est de moins de 10 pieds (3,1m).

‡ Une terminaison d'évacuation ne doit pas être installée à un endroit où elle pourrait causer une formation dangereuse de givre ou de glace sur les surfaces d'une propriété adjacente.

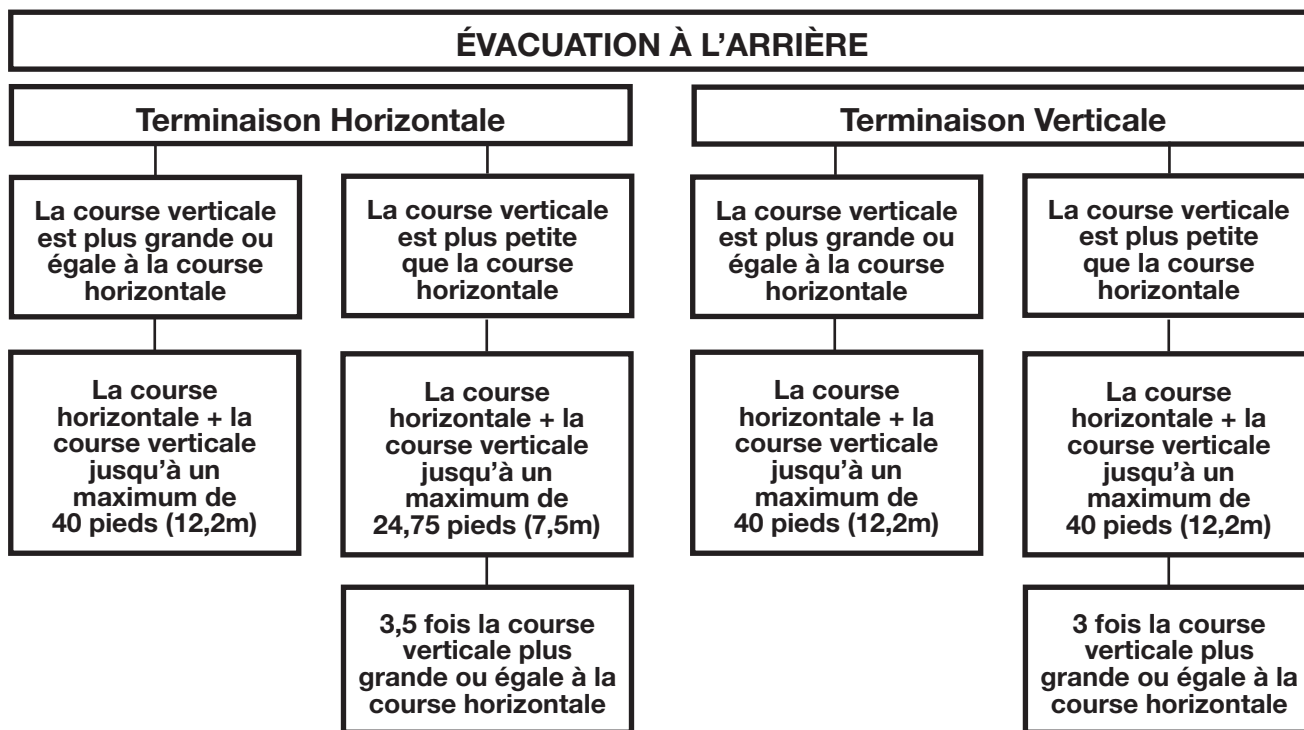
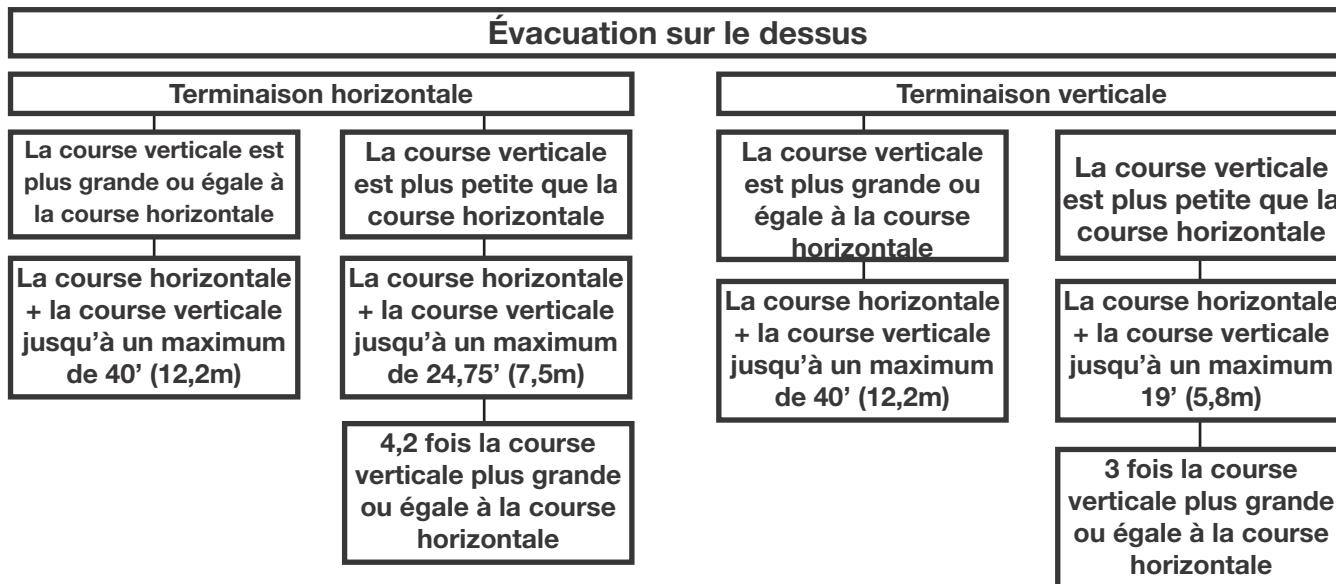
†† Permis seulement si la véranda ou la terrasse en bois sont complètement ouverts sur un minimum de deux côtés sous le plancher.

†\* Recommandé afin d'éviter la recirculation des produits d'échappement. Vérifiez les codes locaux pour connaître les contraintes additionnelles.

††† Permis seulement si le balcon est complètement ouvert sur au moins un côté.

**note:**

Les dégagements doivent être conformes aux codes d'installation locaux et les exigences du fournisseur de gaz. En leur absence, les dégagements doivent être comme indiqué ci-dessous et sont basés sur des codes nationaux.





## 2.5 légende

Les symboles suivants sont utilisés dans le calcul et les exemples d'évacuation :

> - plus grand que

≥ - plus grand ou égal à

< - plus petit que

≤ - plus petit ou égal à

$H_T$  - total de la longueur des courses horizontales ( $H_R$ ) plus la valeur des déviations ( $H_D$ ) en pieds

$H_R$  - longueur des courses horizontales combinées en pieds

$H_O$  - facteur de la valeur d'une déviation : 0,03 (du total des degrés de déviation - 90°\*) en pieds

$H_{O'}$  - facteur de la valeur d'une déviation : 0,03 (total des degrés de déviation - 135°\*) en pieds

$V_T$  - longueur des courses verticales combinées en pieds

## 2.6 valeur du coude en longueur d'évent

|      | <u>Pieds</u> | <u>Pouces</u> | <u>Millimètres</u> |
|------|--------------|---------------|--------------------|
| 1°   | 0,03         | 0,5           | 12,7               |
| 15°  | 0,45         | 6,0           | 152,4              |
| 30°  | 0,9          | 11,0          | 279,4              |
| 45°  | 1,35         | 16,0          | 406,4              |
| 90°* | 2,7          | 32,0          | 812,8              |

\* La première déviation de 90° a une valeur zéro et est illustrée dans la formule comme - 90°.

\* La première déviation de 45° et de 90° a une valeur zéro et est illustrée dans la formule comme -45° et -90° respectivement ou -135° lorsque combinées (**Pour la 45° sortie seulement**).

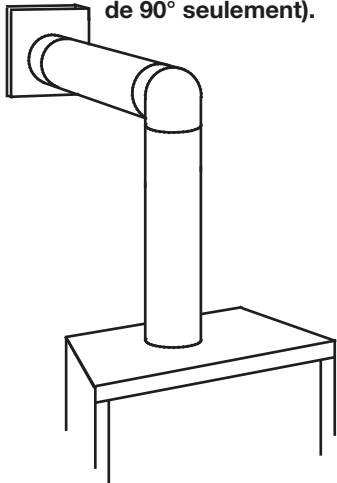
# évacuation

FR

## 2.7 évacuation sur le dessus/terminaison horizontale

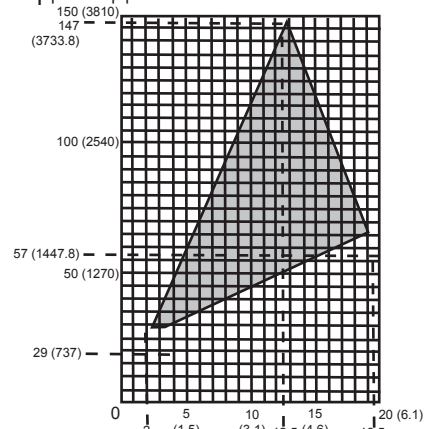
$$(H_T) > (V_T)$$

Configuration d'évacuation simple (un coude de 90° seulement).



COURSE VERTICALE REQUISE EN POUCES (MILLIMÈTRES)  
 $V_T$

Consultez le graphique pour déterminer la course verticale nécessaire  $V_T$  par rapport à la course horizontale requise  $H_T$ .



LONGUEUR DES COURSES HORIZONTALES PLUS LES DÉVIATIONS EN PIEDS (MÈTRES)  $H_T$

La section ombragée à l'intérieur des lignes représente des valeurs acceptables pour  $H_T$  et  $V_T$ .

Lorsque la configuration de l'évacuation exige plus d'un coude de 90°, les formules suivantes s'appliquent :

**Formule 1:**  $H_T \leq 4,2 V_T$

**Formule 2:**  $H_T + V_T \leq 24,75$  pieds (7,5m)

**Exemple:**

$$V_1 = V_T = 6 \text{ PI (1,8m)}$$

$$H_1 = 3 \text{ PI (0,9m)}$$

$$H_2 = 5 \text{ PI (1,5m)}$$

$$H_R = H_1 + H_2 = 3\text{PI (0,9m)} + 5\text{PI (1,5m)} = 8\text{PI (2,4m)}$$

$$H_o = .03 \text{ (two } 90^\circ \text{ elbows - } 90^\circ) = .03 (180^\circ - 90^\circ) = 2,7\text{PI (0,8m)}$$

$$H_T = H_R + H_o = 8\text{PI (2,4m)} + 2,7\text{PI (0,8m)} = 10,7\text{PI (3,3m)}$$

$$H_T + V_T = 10,7\text{PI (3,3m)} + 6\text{PI (1,8m)} = 16,7\text{PI (5,1m)}$$

**Formule 1:**  $H_T \leq 4,2 V_T$

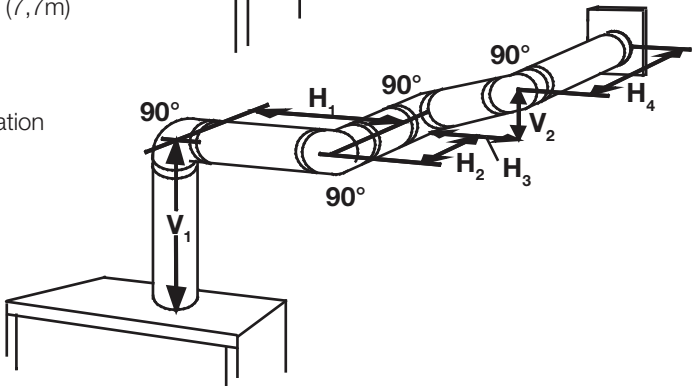
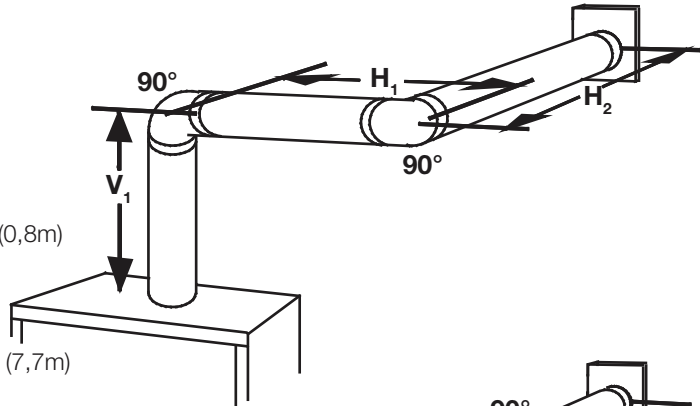
$$4,2 V_T = 4,2\text{PI (1,3m)} \times 6\text{PI (1,8m)} = 25,2\text{PI (7,7m)}$$

$$10,7\text{PI (3,3m)} \leq 25,2\text{PI (7,7m)}$$

**Formule 2:**  $H_T + V_T \leq 24,75$  PI (7,5m)

$$16,7\text{PI (5,1m)} \leq 24,75\text{PI (7,5m)}$$

Puisque les deux formules sont respectées, cette configuration d'évacuation est acceptable.



**Exemple:**

$$V_1 = 4 \text{ PI (1,2m)}$$

$$V_2 = 1,5 \text{ PI (0,5m)}$$

$$V_T = V_1 + V_2 = 4\text{PI (1,2m)} + 1,5\text{PI (0,5m)} = 5,5 \text{ PI (1,7m)}$$

$$H_1 = 2 \text{ PI (0,6m)}$$

$$H_2 = 1 \text{ PI (0,3m)}$$

$$H_3 = 1 \text{ PI (0,3m)}$$

$$H_4 = 1,5 \text{ PI (0,5m)}$$

$$H_R = H_1 + H_2 + H_3 + H_4 = 2\text{PI (0,6m)} + 1\text{PI (0,3m)} + 1\text{PI (0,3m)} + 1,5\text{PI (0,5m)} = 5,5 \text{ PI (1,7m)}$$

$$H_o = 0,03 \text{ (quatre coudes } 90^\circ - 90^\circ) = 0,03 (360^\circ - 90^\circ) = 8,1 \text{ PI (2,5m)}$$

$$H_T = H_R + H_o = 5,5\text{PI (1,7m)} + 8,1 \text{ PI (2,5m)} = 13,6 \text{ PI (4,2m)}$$

$$H_T + V_T = 13,6 \text{ PI (4,2m)} + 5,5\text{PI (1,7m)} = 19,1\text{PI (5,8m)}$$

**Formule 1:**  $H_T \leq 4,2 V_T$

$$4,2 V_T = 4,2 \text{ PI (1,3m)} \times 5,5\text{PI (1,7m)} = 23,1 \text{ PI (7m)}$$

$$13,6 \text{ PI (4,2m)} \leq 23,1 \text{ PI (7m)}$$

**Formule 2:**  $H_T + V_T \leq 24,75$  PI (7,5m)

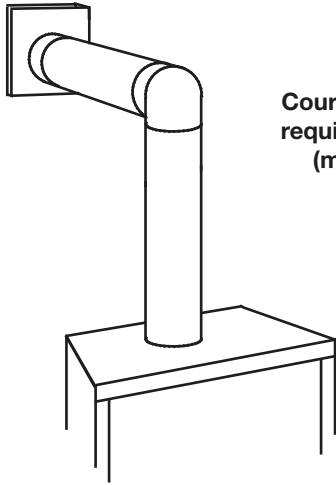
$$19,1\text{PI (5,8m)} \leq 24,75 \text{ PI (7,5m)}$$

Puisque les deux formules sont respectées, cette configuration d'évacuation est acceptable.

2.8 évacuation sur le dessus / terminaison horizontale

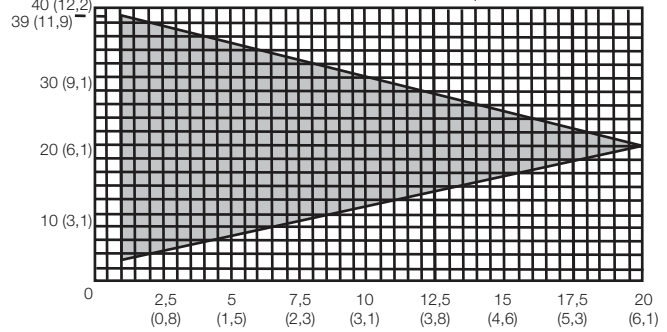
$(H_T) \leq (V_T)$

Configuration d'évacuation simple (un coude de 90° seulement)



Course verticale requise en pieds (mètres)  $V_T$

Consultez le graphique pour déterminer la course verticale nécessaire  $V_T$  par rapport à la course horizontale requise  $H_T$



Longueur des courses horizontales plus les déviations en pieds (mètres)  $H_T$

La section ombragée à l'intérieur des lignes représente des valeurs acceptables pour  $H_T$  et  $V_T$

Lorsque la configuration de l'évacuation exige plus d'un coude de 90°, les formules suivantes s'appliquent:

Formule 1:  $H_T \leq V_T$

Formule 2:  $H_T + V_T \leq 40$  pieds (12,2m)

Exemple:

$V_1 = 3$  pi (0,9m)

$V_2 = 8$  pi (2,4m)

$V_T = V_1 + V_2 = 3$  pi (0,9m) + 8 pi (2,4m) = 11 pi (3,4m)

$H_1 = 2,5$  pi (0,8m)

$H_2 = 2$  pi (0,6m)

$H_R = H_1 + H_2 = 2,5$  pi (0,8m) + 2 pi (0,6m) = 4,5 pi (1,4m)

$H_O = 0,03$  (deux 90° elbows - 90°) = 0,03 (180° - 90°) = 5,4 pi (1,7m)

$H_T = H_R + H_O = 4,5$  pi (1,4m) + 5,4 pi (1,6m) = 9,9 pi (3m)

$H_T + V_T = 9,9$  pi (3m) + 11 pi (3,4m) = 20,9 pi (6,4m)

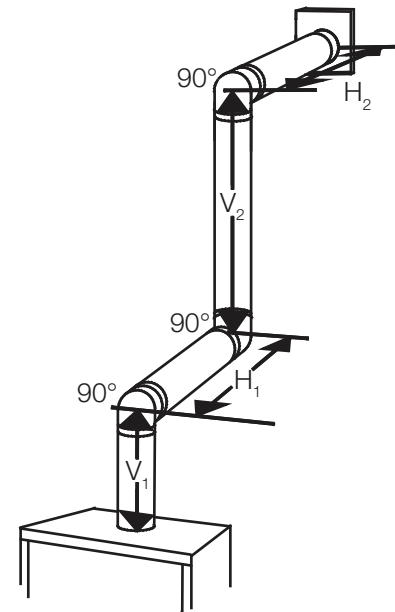
Formule 1:  $H_T \leq V_T$

9,9 pi (3m)  $\leq$  11 pi (3,4m)

Formule 2:  $H_T + V_T \leq 40$  pi (12,2m)

20,9 pi (6,4m)  $\leq$  40 pi (12,2m)

Puisque les deux formules sont respectées, cette configuration d'évacuation est acceptable.



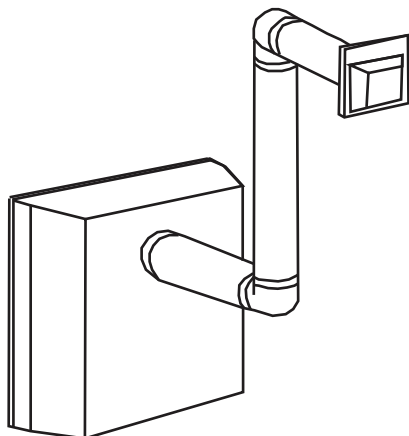
# Évacuation

FR

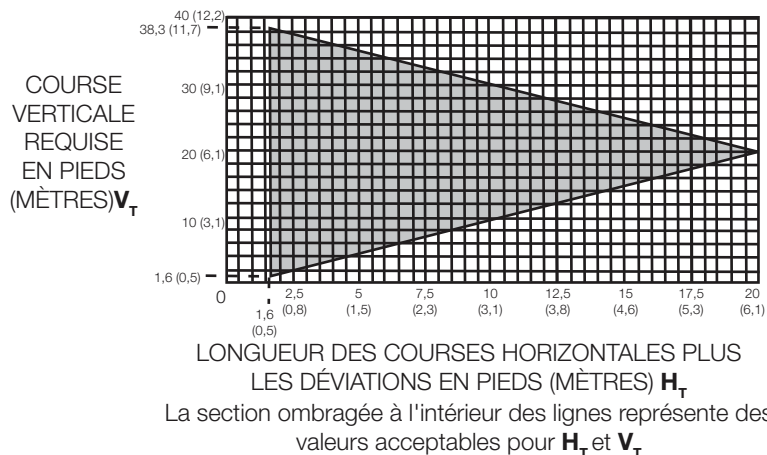
## 2.9 Évacuation à l'arrière / terminaison horizontale

$$(H_T) \leq (V_T)$$

Configuration d'évacuation simple  
(deux coudes de 90° seulement)



See graph to determine the required vertical rise  $V_T$  for the required horizontal run  $H_T$ .



Lorsque la configuration de l'évacuation exige plus qu'un coude de 90°, les formules suivantes s'appliquent :

Formule 1:  $H_T \leq V_T$

Formule 2:  $H_T + V_T \leq 40$  pieds (12,2m)

Exemple:

$$V_1 = 9 \text{ PI (2,7m)}$$

$$V_2 = 6 \text{ PI (1,8m)}$$

$$V_T = V_1 + V_2 = 9 \text{ PI (2,7m)} + 6 \text{ PI (1,8m)} = 15 \text{ PI (4,6m)}$$

$$H_1 = 3 \text{ PI (0,9m)}$$

$$H_2 = 2 \text{ PI (0,6m)}$$

$$H_3 = 1,5 \text{ PI (0,5m)}$$

$$H_R = H_1 + H_2 + H_3 = 3 \text{ PI (0,9m)} + 2 \text{ PI (0,6m)} + 1,5 \text{ PI (0,5m)} = 6,5 \text{ PI (2m)}$$

$$H_O = 0,03 \text{ (quatre coudes } 90^\circ - 90^\circ) = 0,03 \text{ (} 360^\circ - 90^\circ) = 8,1 \text{ PI (2,5m)}$$

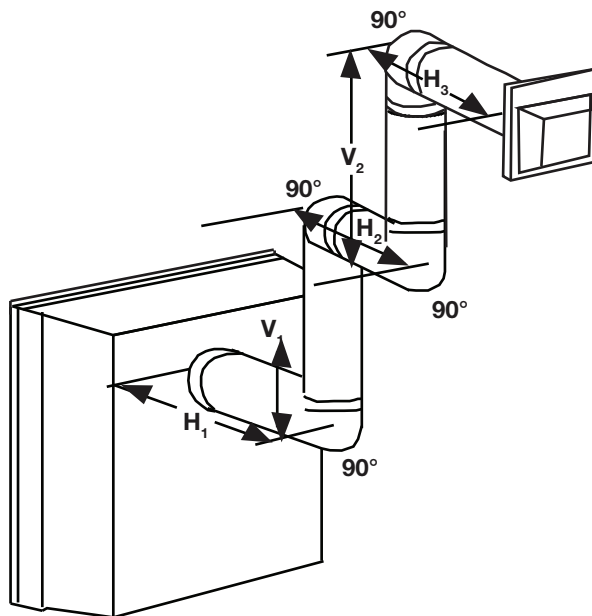
$$H_T = H_R + H_O = 6,5 \text{ PI (2m)} + 8,1 \text{ PI (2,5m)} = 14,6 \text{ PI (4,5m)}$$

$$H_T + V_T = 14,6 \text{ PI (4,5m)} + 15 \text{ PI (4,6m)} = 29,6 \text{ PI (9m)}$$

Formule 1:  $H_T \leq V_T$   
 $14,6 \text{ PI (4,5m)} \leq 15 \text{ PI (4,6m)}$

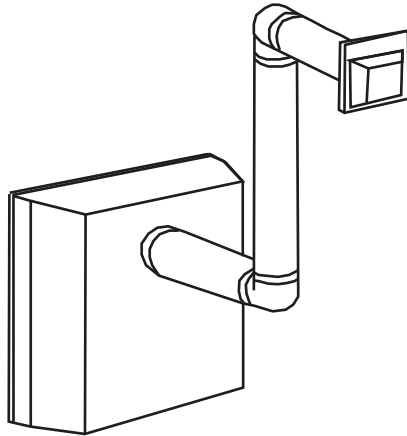
Formule 2:  $H_T + V_T \leq 40 \text{ PI (12,2m)}$   
 $29,6 \text{ PI (9m)} \leq 40 \text{ PI (12,2m)}$

Puisque les deux formules sont respectées, cette configuration d'évacuation est acceptable.



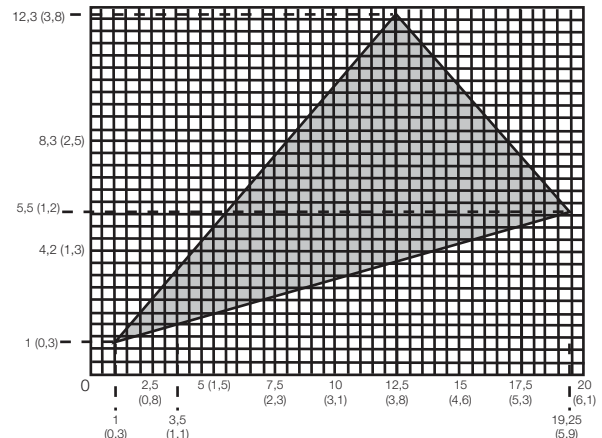
$$(H_T) > (V_T)$$

## Configuration d'évacuation simple (deux coudes de 90° seulement)



COURSE  
VERTICALE  
REQUISE  
EN POUCES  
(MILLIMÈTRES)  $V_T$

Consultez le graphique pour déterminer la course verticale nécessaire  $V_T$  par rapport à la course horizontale requise  $H_T$ .



LONGUEUR DES COURSES HORIZONTALES PLUS  
LES DÉVIATIONS EN PIEDS (MÈTRES)  $H_T$

La section ombragée à l'intérieur des lignes représente des valeurs acceptables pour  $H_T$  et  $V_T$

Lorsque la configuration de l'évacuation exige plus qu'un coude de 90°, les formules suivantes s'appliquent :

**Formule 1 :**  $H_T \leq 3,5V_T$

**Formule 2 :**  $H_T + V_T \leq 24,75$  pieds (7,5m)

### Exemple :

$V_1 = 4$  PI (1,2m)

$V_2 = 1,5$  PI (0,5m)

$V_T = V_1 + V_2 = 4$ PI (1,2m) + 1,5PI (0,5m) = 5,5 PI (1,7m)

$H_1 = 2$  PI (0,6m)

$H_2 = 1$  PI (0,3m)

$H_3 = 1$  PI (0,3m)

$H_4 = 1,5$  PI (0,5m)

$H_R = H_1 + H_2 + H_3 + H_4 = 2$ PI(0,6m) + 1PI(0,3m) + 1PI(0,3m) + 1,5PI(0,5m) = 5,5PI(1,7m)

$H_O = 0,03$  (quatre coudes 90° + un coude 45° - 90°)  
= 0,03 (90 + 90 + 90 + 90 + 45 - 90) = 9,45 PI (2,9m)

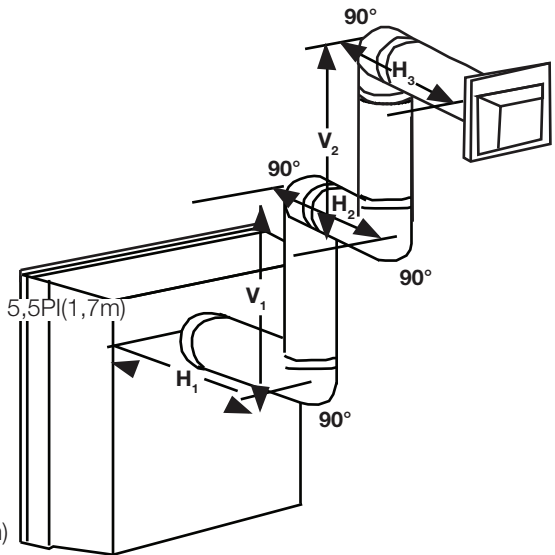
$H_T = H_R + H_O = 5,5$ PI (1,7m) + 9,45PI (2,9m) = 14,95PI (4,6m)

$H_T + V_T = 14,95$ PI (4,6m) + 5,5PI (1,7m) = 20,45PI (6,2m)

**Formule 1 :**  $H_T \leq 3,5V_T$   
 $3,5V_T = 3,5$ PI (1,1m) x 5,5PI (1,7m) = 19,25PI (5,9m)  
14,95 PI (4,6m)  $\leq$  19,25 PI (5,9m)

**Formule 2 :**  $H_T + V_T \leq 24,75$  PI (7,5m)  
20,45 PI (6,2m)  $\leq$  24,75 PI (7,5m)

Puisque les deux formules sont respectées, cette configuration d'évacuation est acceptable.

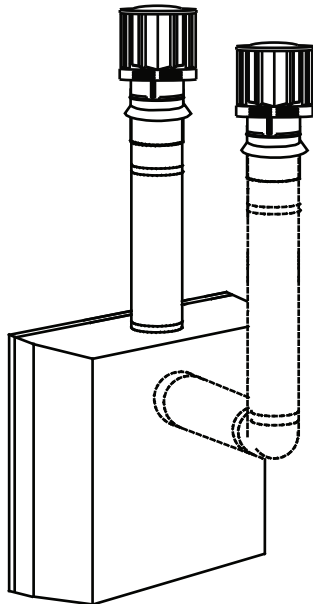


# évacuation

## FR 2.10 évacuation sur le dessus ou à l'arrière / terminaison verticale

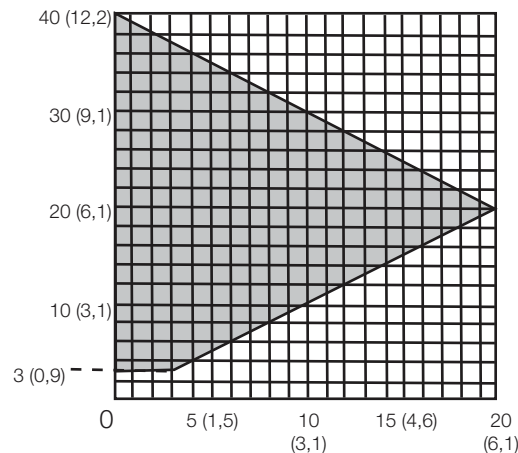
$$(H_T) \leq (V_T)$$

Configurations d'évacuation simples.



Consultez le graphique pour déterminer la course verticale nécessaire  $V_T$  par rapport à la course horizontale requise  $H_T$ .

COURSE VERTICALE REQUISE EN PIEDS (MÈTRES)  $V_T$



LONGUEUR DES COURSES HORIZONTALES PLUS LES DÉVIATIONS EN PIEDS (MÈTRES)  $H_T$   
La section ombragée à l'intérieur des lignes représente des valeurs acceptables pour  $H_T$  et  $V_T$

Lorsque les configurations de l'évacuation exigent plus que zéro coude de 90° (évacuation sur le dessus) ou un coude de 90° (évacuation à l'arrière), les formules suivantes s'appliquent :

Formule 1:  $H_T \leq V_T$

Formule 2:  $H_T + V_T \leq 40$  pieds (12,2m)

Exemple:

$$V_1 = 5 \text{ PI (1,5m)}$$

$$V_2 = 6 \text{ PI (1,8m)}$$

$$V_3 = 10 \text{ PI (3,1m)}$$

$$V_T = V_1 + V_2 + V_3 = 5\text{PI (1,5m)} + 6\text{PI (1,8m)} + 10\text{PI (3,1m)} = 21\text{PI (6,4m)}$$

$$H_1 = 8 \text{ PI (2,4m)}$$

$$H_2 = 2,5 \text{ PI (0,8m)}$$

$$H_R = H_1 + H_2 = 8\text{PI (2,4m)} + 2,5\text{PI (0,8m)} = 10,5\text{PI (3,2m)}$$

$$H_O = 0,03 \text{ (quatre coudes } 90^\circ - 90^\circ)$$

$$= 0,03 (360^\circ - 90^\circ) = 8,1 \text{ PI (2,5m)}$$

$$H_T = H_R + H_O = 10,5\text{PI (3,2m)} + 8,1\text{PI (2,5m)} = 18,6\text{PI (5,7m)}$$

$$H_T + V_T = 18,6\text{PI (5,7m)} + 21\text{PI (6,4m)} = 39,6\text{PI (12,1m)}$$

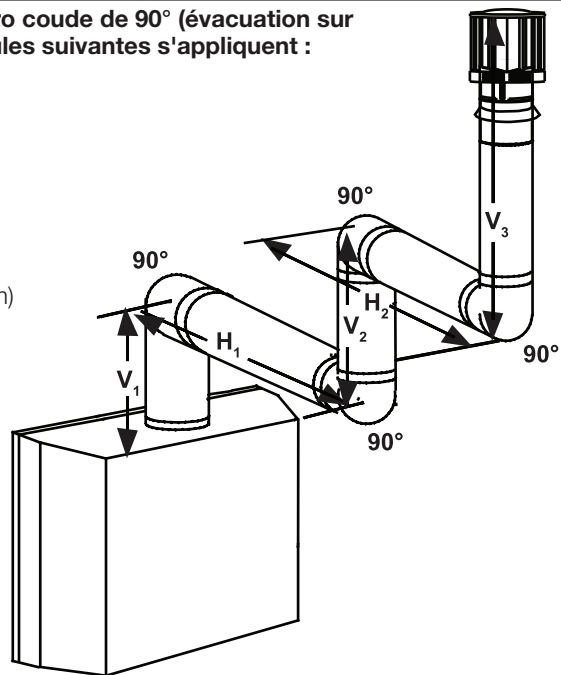
Formule 1:  $H_T \leq 3,5V_T$

$$18,6 \text{ PI (5,7m)} \leq 21 \text{ PI (6,4m)}$$

Formule 2:  $H_T + V_T \leq 40 \text{ PI (12,2m)}$

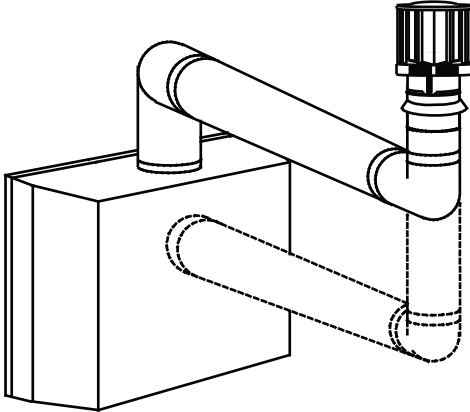
$$39,6\text{PI (12,1m)} \leq 40 \text{ PI (12,2m)}$$

Puisque les deux formules sont respectées, cette configuration d'évacuation est acceptable.



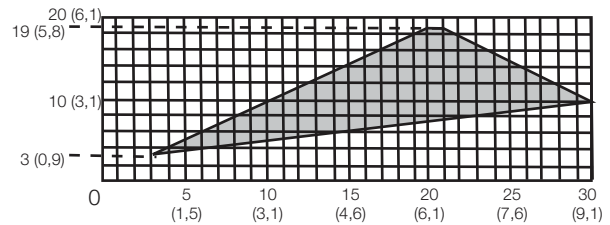
$$(H_T) > (V_T)$$

## Configurations d'évacuation simples.



COURSE VERTICALE REQUISE EN PIEDS (MÈTRES)  $V_T$

Consultez le graphique pour déterminer la course verticale nécessaire  $V_T$  par rapport à la course horizontale requise  $H_T$ .



LONGUEUR DES COURSES HORIZONTALES PLUS LES DÉVIATIONS EN PIEDS (MÈTRES)  $H_T$

La section ombragée à l'intérieur des lignes représente des valeurs acceptables pour  $H_T$  et  $V_T$

Lorsque les configurations de l'évacuation exigent plus que zéro coude de 90° (évacuation sur le dessus) ou un coude de 90° (évacuation à l'arrière), les formules suivantes s'appliquent :

**Formule 1 :**  $H_T \leq 3 V_T$

**Formule 2 :**  $H_T + V_T \leq 40$  pieds (12,2m)

**Exemple :**

$$V_1 = 2 \text{ PI (0,6m)}$$

$$V_2 = 1 \text{ PI (0,3m)}$$

$$V_3 = 1,5 \text{ PI (0,5m)}$$

$$V_T = V_1 + V_2 + V_3 = 2\text{PI (0,6m)} + 1\text{PI (0,3m)} + 1,5\text{PI (0,5m)} = 4,5\text{PI (1,4m)}$$

$$H_1 = 6 \text{ PI (1,8m)}$$

$$H_2 = 2 \text{ PI (0,6m)}$$

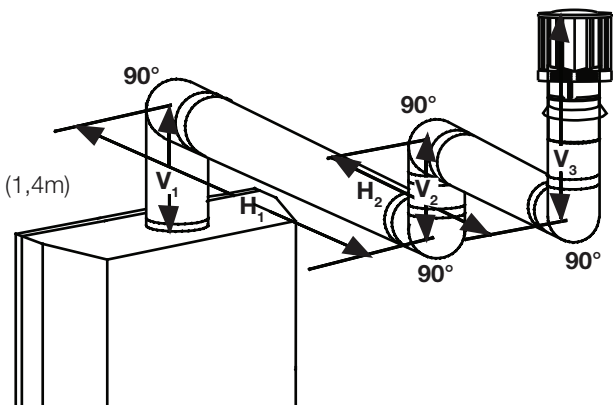
$$H_R = H_1 + H_2 = 6\text{PI (1,8m)} + 2\text{PI (0,6m)} = 8 \text{ PI (2,4m)}$$

$$H_O = 0,03 \text{ (quatre coudes } 90^\circ - 90^\circ)$$

$$= 0,03 (360^\circ - 90^\circ) = 8,1 \text{ PI (2,5m)}$$

$$H_T = H_R + H_O = 8\text{PI (2,4m)} + 8,1\text{PI (2,5m)} = 16,1 \text{ PI (4,9m)}$$

$$H_T + V_T = 16,1\text{PI (4,9m)} + 4,5\text{PI (1,4m)} = 20,6 \text{ PI (6,3m)}$$



**Formule 1 :**  $H_T \leq 3V_T$

$$3V_T = 3 \text{ PI (0,9m)} \times 4,5 \text{ PI (1,4m)} = 13,5 \text{ PI (4,1m)}$$

$$16,1\text{PI (4,9m)} > 13,5 \text{ PI (4,1m)}$$

Puisque cette formule n'est pas respectée, cette configuration d'évacuation est **inacceptable**.

**Formule 2 :**  $H_T + V_T \leq 40$  PI (12,2m)

$$20,6 \text{ PI (4,9m)} \leq 40 \text{ PI (12,2m)}$$

Puisque seulement la formule 2 est respectée, cette configuration est inacceptable et l'on devra trouver un autre endroit pour installer l'appareil ou trouver une configuration d'évacuation qui pourra respecter les deux formules.

**Exemple :**

$$V_1 = 1,5 \text{ PI (0,5m)}$$

$$V_2 = 5 \text{ PI (1,5m)}$$

$$V_T = V_1 + V_2 = 1,5\text{PI (0,5m)} + 5\text{PI (1,5m)} = 6,5 \text{ PI (2m)}$$

$$H_1 = 1 \text{ PI (0,3m)}$$

$$H_2 = 1 \text{ PI (0,3m)}$$

$$H_3 = 10,75 \text{ PI (3,3m)}$$

$$H_R = H_1 + H_2 + H_3 = 1\text{PI (0,3m)} + 1\text{PI (0,3m)} + 10,75\text{PI (3,3m)} = 12,75\text{PI (3,9m)}$$

$$H_O = 0,03 \text{ (quatre coudes } 90^\circ + \text{ un coude } 45^\circ - 90^\circ)$$

$$= 0,03 (360^\circ + 45^\circ - 90^\circ) = 6,75 \text{ PI (2,1m)}$$

$$H_T = H_R + H_O = 12,75\text{PI (3,9m)} + 6,75\text{PI (2,1m)} = 19,5\text{PI (5,9m)}$$

$$H_T + V_T = 19,5\text{PI (5,9m)} + 6,5 \text{ PI (2m)} = 26 \text{ PI (7,9m)}$$

**Formule 1 :**

$$H_T \leq 3 V_T$$

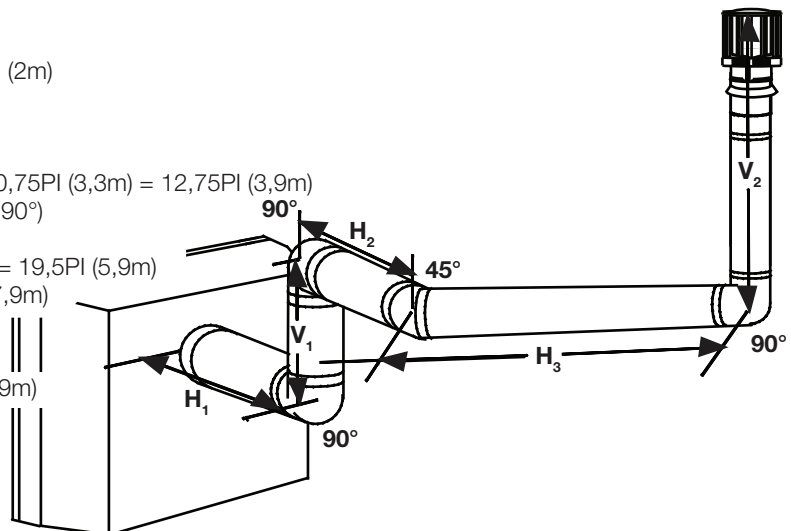
$$3 V_T = 3\text{PI (0,9m)} \times 6,5\text{PI (2m)} = 19,5\text{PI (5,9m)}$$

$$19,5 \text{ PI (5,9m)} = 19,5 \text{ PI (5,9m)}$$

**Formule 2 :**

$$H_T + V_T \leq 40 \text{ PI (12,2m)}$$

$$26 \text{ PI (7,9m)} \leq 40 \text{ PI (12,2m)}$$



Puisque les deux formules sont respectées, cette configuration d'évacuation est acceptable.

## 3.0 préparatifs pour l'installation - modèle TDS60-1

FR

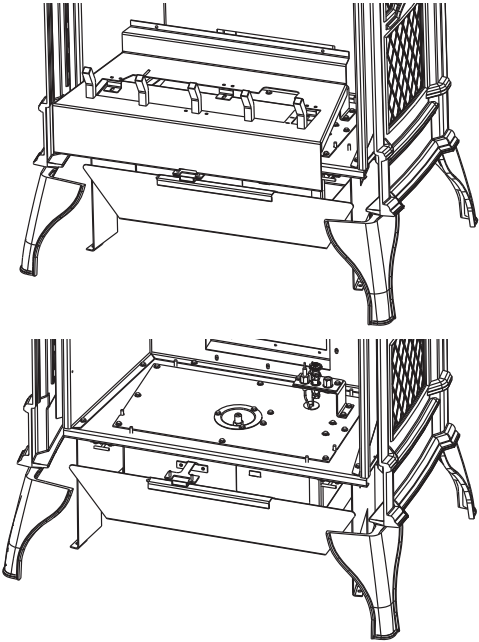
### 3.1 remplacement de l'injecteur du brûleur

#### TERMINAISON POUR UNE ÉVACUATION À L'ARRIÈRE :

Pour les installations à évacuation arrière qui se terminent horizontalement et ne comportent pas de conduits d'évents verticaux, le débit minimal doit être réduite à 21 000 BTU / h en changeant l'orifice (fourni).

Afin d'accéder à l'injecteur, vous devez d'abord retirer le support à bûches qui est fixé par deux vis.

Prenez soin de ne pas endommager la conduite de gaz. Pour retirer l'injecteur, utilisez une clé et une que vous utiliserez sur le collecteur, situé sous le boîtier, pour vous assurer que le tube d'aluminium ne se torde ou ne se plie.

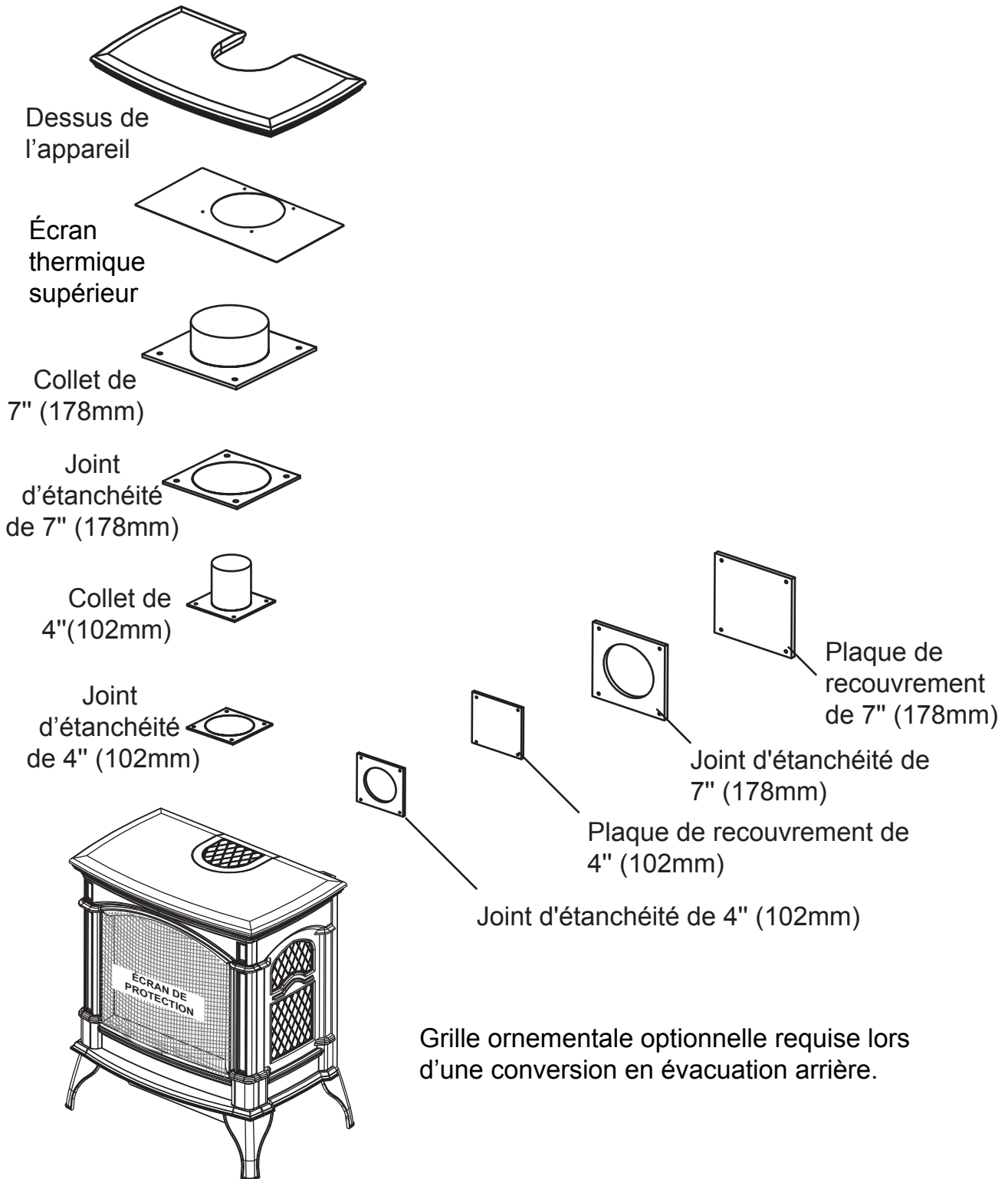




# préparatifs pour l'installation - modèle GDS60-1

## 3.2 modification d'évacuation sur le dessus à évacuation à l'arrière

Afin de convertir le système d'évent à évacuation sur le dessus en évacuation à l'arrière, retirez les composants tel qu'illustré: Lors de la réinstallation à la position alternative : inspectez les joints d'étanchéité pour des déchirures, remplacez-les si nécessaire pour assurer une bonne étanchéité.



## 4.0 installation

FR

### ⚠ AVERTISSEMENT

- Avant d'effectuer les branchements pour l'alimentation en gaz et électronique, assurez-vous de retirer toute composante non fixée à l'intérieur de la chambre de combustion.
- **Si votre appareil comprend un système de télécommande, assurez-vous que le récepteur est à la position « OFF » avant d'effectuer les branchements pour l'alimentation en gaz et électronique.**
- Afin d'assurer un fonctionnement sécuritaire et adéquat de l'appareil, vous devez observer les instructions d'évacuation à la lettre.
- Tous les joints des conduits doivent être scellés avec du scellant de silicone rouge à haute température RTV (W573-0002) (non fourni) ou du scellant noir à haute température Mill Pac (W573-0007) (non fourni) à l'exception du raccordement du conduit d'évacuation à la buse de l'appareil qui doit être scellé avec le scellant Mill Pac.
- Si vous utilisez des colliers pour tuyau pour raccorder les composants d'évacuation, vous devez aussi installer trois vis pour vous assurer que le raccordement ne défasse pas.
- Ne serrez pas la gaine flexible.
- Risque d'incendie, d'explosion ou d'asphyxie. Si l'ensemble du système de conduit d'évent n'est pas adéquatement soutenu, il risque de fléchir ou de se séparer. Utilisez des supports de conduit et raccordez les sections de conduits selon les instructions d'installation.
- Risque d'incendie. Évitez que l'isolant touche au conduit d'évacuation. Retirez l'isolant pour permettre l'installation de l'écran protecteur du grenier et pour maintenir les dégagements aux matériaux combustibles.
- Ne remplissez pas l'espace entre le conduit d'évent et la charpente avec aucun type de matériau. Ne bourrez pas d'isolant ni de matériaux combustibles entre les espaceurs coupe-feu du plafond. Conservez toujours les dégagements requis autour des conduits d'évent et l'assemblage de l'espaceur coupe-feu. Installez les écrans muraux et les espaceurs coupe-feu tel que spécifié. Si vous ne gardez pas l'isolant ou tout autre matériau à l'écart du conduit d'évent, un risque d'incendie pourrait s'ensuivre.
- **Pour les poêles à gaz seulement:** Si l'appareil est installé directement sur un tapis, sur une surface de vinyle, ou tout autre revêtement de plancher combustible autre que le bois, l'appareil devra être monté sur un panneau continu de métal ou de bois se prolongeant sur toute la largeur et la profondeur, sauf indication contraire à l'essai.

Pour une performance optimale de l'appareil, toutes les courses horizontales devraient avoir une élévation minimale de 1/4" (6,4mm) par pied lorsque vous utilisez des composants d'évacuation. Afin d'assurer un fonctionnement sécuritaire et adéquat de l'appareil, vous devez observer les instructions d'évacuation à la lettre.

### 4.1 dégagements minimaux aux matériaux combustibles

#### **TDS60-1:**

**SECTIONS D'ÉVÉNEMENTS HORIZONTALES :** Un dégagement minimal de 2" (51mm) au-dessus et 1" (25mm) au-dessous et sur les côtés de l'évent doit être maintenu sur toutes les courses horizontales.

**SECTIONS D'ÉVÉNEMENTS VERTICALES :** Un dégagement minimal aux matériaux combustibles de 1" (25mm) est requis sur toutes les courses verticales.

#### **TS60-1:**

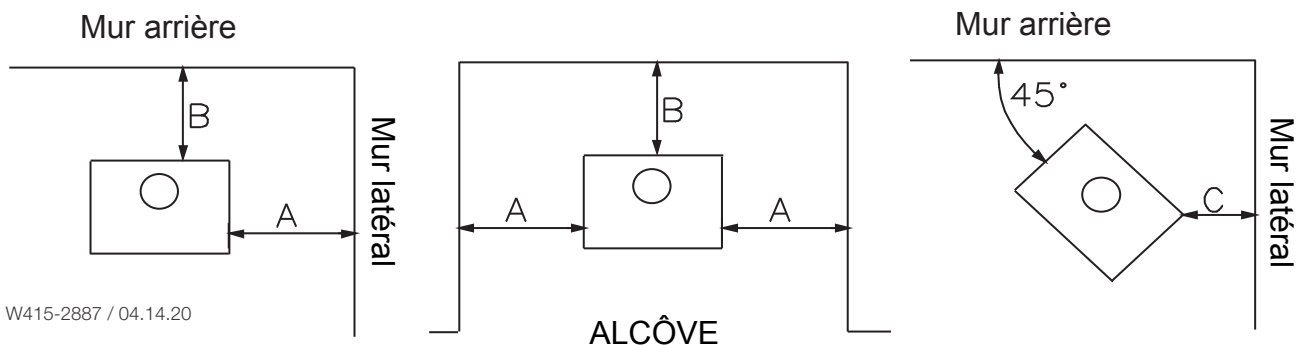
Un dégagement minimal aux matériaux combustibles de 1" (25mm) tout autour de l'évent de type B est requis sur les courses horizontales et verticales.

#### **CONSERVEZ CES DÉGAGEMENTS MINIMAUX AUX MATÉRIEAUX COMBUSTIBLES :**

**A.** 6" (152mm)    **B.** 6" (152mm)    **C.** 2" (51mm)\*

Aucune protection de plancher supplémentaire n'est nécessaire. Un minimum de 20" (508mm) est requis entre le dessus de l'appareil et le plafond. 6" (152mm) d'un raccord à paroi simple.

\*À une distance de 2" (51mm) du mur, l'accès à l'interrupteur de la soufflerie, à l'interrupteur marche/arrêt ou au cordon d'alimentation de la soufflerie peut s'avérer difficile.



## 4.1.1 installation horizontale

### **AVERTISSEMENT**

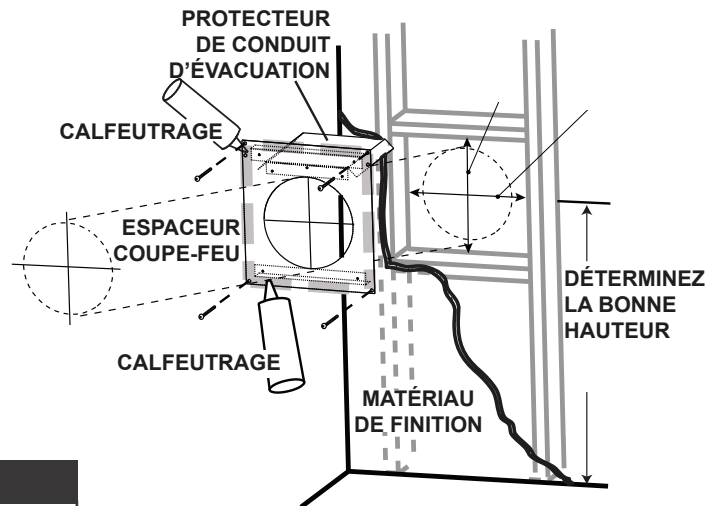
- L'espaceur coupe-feu doit être installé avec l'écran protecteur orienté vers le haut.
- La terminaison ne doit pas être enchâssée dans le mur ou le revêtement extérieur plus que l'épaisseur de la bride de la plaque de montage.

Cette configuration s'applique lorsque le conduit d'évent traverse un mur extérieur. Une fois que vous aurez déterminé la hauteur exacte pour l'emplacement de la terminaison, découpez et charpentez une ouverture dans le mur extérieur, comme illustré, pour permettre l'installation de l'espaceur coupe-feu. Avant de continuer, placez l'espaceur coupe-feu dans l'ouverture pour vous assurer que les supports sur la surface arrière soient placés contre la face intérieure de la pièce charoentre horizontale.

L'écran protecteur peut être taillé pour des murs combustibles qui ont moins de 8 1/2" (215,9mm) de profond, mais doit se prolonger sur toute la profondeur du mur combustible.

#### **note:**

Ne remplir pas l'espace d'air entre l'espaceur coupe-feu et le mur extérieur avec n'importe quel type de matériaux isolant (e.x., mousse de pulvérisation).



#### **note:**

Ce qui précède est uniquement à des fins d'illustration. Les événements ne passent pas toujours par le centre du cadre.

- Appliquez un joint de calfeutrage (non fourni) tout autour de la bordure de la face intérieure de l'espaceur coupe-feu, installez l'espaceur coupe-feu contre le trou et fixez à l'aide des quatre vis.
- Une fois que le conduit d'évent est en place, appliquez du scellant à haute température rouge RTV (W573-0002) (non fourni) entre le conduit d'évent et l'espaceur coupe-feu.

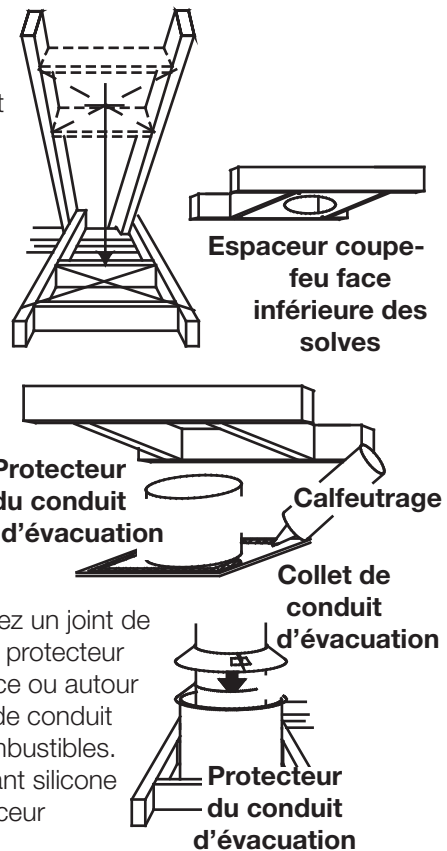
# installation

FR

## 4.1.2 installation verticale

Cette configuration s'applique lorsque l'évacuation se fait à travers un toit. Des ensembles d'installation pour les différentes pentes de toit sont disponibles chez votre détaillant autorisé. Voir la section « accessoires » dans le manuel du propriétaire pour commander l'ensemble spécifique dont vous avez besoin.

- A. Une fois que vous aurez déterminé l'emplacement de la terminaison, découpez et charpentez une ouverture dans le plafond et le toit pour laisser le dégagement minimal de 1" (25,4mm) entre le conduit d'évent et tout matériau combustible. Essayez de positionner le conduit d'évent à mi-chemin entre deux solives pour ne pas être obligé de les couper. Utilisez du fil à plomb pour aligner le centre des ouvertures. Un protecteur de conduit d'évacuation empêchera tout matériau, tel que l'isolant, de remplir l'espace vide de 1" (25,4mm) autour de l'évent. Fixez des entretoises entre les solives pour assurer un support additionnel.
- B. Appliquez un joint de calfeutrage (non fourni) sur la charpente ou sur le protecteur de conduit d'évacuation Wolf Steel ou l'équivalent (dans le cas d'un plafond fini) et fixez le protecteur de conduit d'évacuation de façon à recouvrir l'ouverture dans le plafond. Un espaceur coupe-feu doit être fixé à la base de chaque ouverture charpentée dans un toit ou un plafond par lequel traverse le système d'évacuation. Appliquez un joint de calfeutrage tout autour et placez un espaceur coupe-feu par-dessus le protecteur de conduit d'évacuation pour empêcher l'arrivée d'air froid dans la pièce ou autour de l'appareil. Assurez-vous que l'espaceur coupe-feu et le protecteur de conduit d'évacuation conservent le dégagement nécessaire aux matériaux combustibles. Une fois que le conduit d'évacuation est en place, appliquez une scellant silicone rouge (W573-0002) (non fourni) entre le conduit d'évacuation et l'espaceur coupe-feu.
- C. Dans le grenier, faites glisser le collet de conduit d'évacuation vers le bas afin de recouvrir l'extrémité ouverte du protecteur de conduit d'évacuation et serrez. Ceci empêchera tout matériau, tel que l'isolant, de remplir l'espace vide de 1 po (25,4mm) autour de l'évent

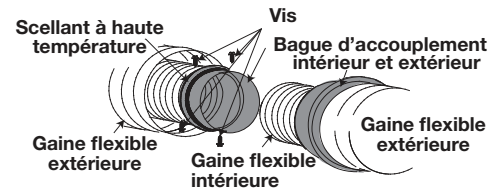
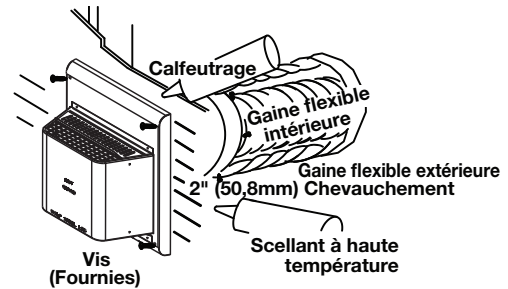


## 4.1.3 installation de la terminaison horizontale - modèle TDS60-1

### AVERTISSEMENT

- La terminaison ne doit pas être enchâssée dans un mur ou un revêtement extérieur à une profondeur excédant celle de la bride de la plaque de montage.

- Étirez la gaine flexible intérieure à la longueur requise en tenant compte de la longueur additionnelle nécessaire pour la surface du mur fini. Appliquez un généreux joint de scellant à haute température Mill Pac (W573-0007) (non fourni). Glissez la gaine flexible sur le manchon intérieur de la terminaison en assurant un chevauchement minimal de 2" (50,8mm) et fixez à l'aide d'une minimum de trois vis.
- Installez la gaine flexible extérieure en la glissant sur le manchon extérieur de la terminaison et fixez à l'aide d'une minimum de trois vis. Scellez avec du scellant à haute température RTV rouge (W573-0002) (non fourni).
- Insérez les gaines dans le coupe-feu tout en conservant le dégagement nécessaire aux matériaux combustibles. En soutenant la terminaison (les inscriptions étant à l'endroit et lisibles), fixez-la au mur extérieur et rendez-la étanche en la scellant avec du calfeutrage (non fourni).
- Si plus de sections de gaine doivent être utilisées pour atteindre l'appareil, raccordez-les ensemble tel qu'illustré. Le système d'évacuation doit être soutenu à environ tous les 3 pieds (0,9m) pour les courses verticales et horizontales. Utilisez des supports incombustibles afin de maintenir le dégagement minimal aux matériaux combustibles.
- Pour les Poêles seulement:** De l'intérieur de la maison, scellez avec du scellant à haute température RTV rouge (W573-0002) (non fourni), entre le conduit d'évent et le coupe-feu. Glissez ensuite le collet de finition noir sur le conduit d'évent jusqu'au coupe-feu.



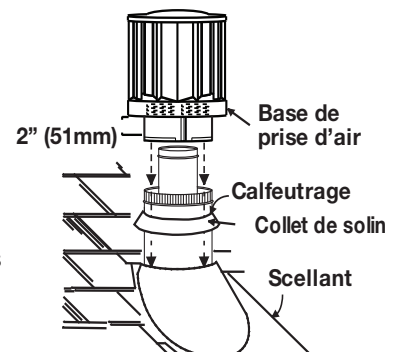
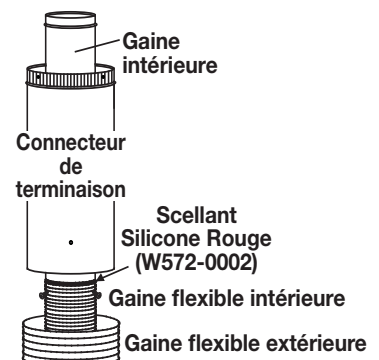
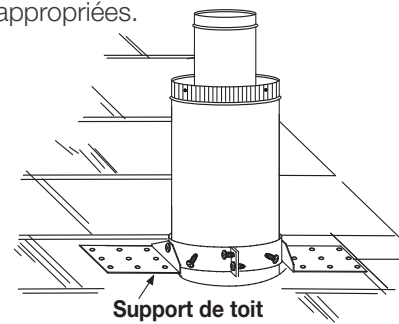
**Les terminaisons ne doivent pas être enchâssées dans un mur ou un revêtement extérieur plus que l'épaisseur de la bride de la plaque de montage.**

### **! AVERTISSEMENT**

- Conservez un espace minimale de 2 po (51mm) entre la base de la prise d'air et le collet de solin.

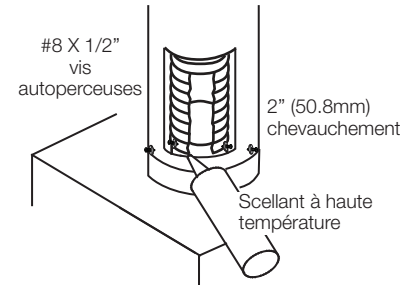
Matériel de fixation fourni avec les ensembles de terminal pour toit et raccord appropriées.

- Fixez le support de toit au toit à l'aide de 6 vis. Le support de toit est optionnel. Dans ce cas, l'évent doit être supporté adéquatement soit en utilisant une méthode alternative se conformant aux normes des autorités compétentes, soit en utilisant le support de toit optionnel.
- Étirez la gaine flexible intérieure à la longueur requise. Glissez la gaine flexible intérieure sur le conduit intérieur du connecteur de terminaison en assurant un chevauchement minimal de 2 po (51mm). Fixez à l'aide d'au moins trois vis, lorsque vous utilisant une évent de 4/7, 5/8 et 3/5 ou un minimum de six vis lorsque vous utilisant une évent de 8/10 ou 8/11. Scellez en appliquant un généreux joint de scellant silicone rouge (W573-0002) (non fourni).
- Répétez avec la gaine flexible extérieure, en appliquant la silicone à haute température rouge (W573-0002) (non fourni) et en utilisant au moins trois vis, lorsque vous utilisant une évent de 4/7, 5/8 et 3/5 ou un minimum de six vis lorsque vous utilisant une évent de 8/10 ou 8/11.
- Faites passer le montage du connecteur de terminaison/gaines flexibles à travers le toit. La terminaison doit être verticale et d'aplomb. Fixez le connecteur de terminaison au support de toit en vous assurant que le dessus de la terminaison excède le côté le plus élevé du toit d'au moins 16" (40,6cm) une fois fixée.
- Enlevez les clous des bardeaux sur le dessus et les côtés du connecteur de terminaison. Placez le solin par-dessus le connecteur de terminaison en laissant un minimum de 3/4" (19,1mm) de connecteur de terminaison visible au-dessus du haut du solin. Glissez le solin sous les côtés et le bord supérieur des bardeaux. Assurez-vous que le connecteur de terminaison est bien centré dans le solin, en laissant une marge de 3/4" (19,1mm) tout autour. Fixez-le au toit. Ne clouez pas à travers la partie inférieure du solin. Imperméabilisez-le en le scellant avec du calfeutrage. Si possible, recouvrez les côtés et le bord supérieur du solin avec des matériaux de couverture.
- Alignez les joints de la terminaison et du connecteur de terminaison et placez la terminaison par-dessus le connecteur de terminaison en vous assurant que le manchon pénètre dans le trou de la terminaison. Fixer avec au moins de trois vis, lorsque vous utilisant une évent de 4/7, 5/8 et 3/5 ou un minimum de six vis lorsque vous utilisant une évent de 8/10 ou 8/11.
- Appliquez un généreux joint de calfeutrage à l'épreuve de l'eau à 2" (51mm) au-dessus du solin. Installez le collet de solin autour de la terminaison et glissez-le jusqu'à la ligne de calfeutrage. Serrez afin d'assurer l'étanchéité entre la terminaison et le collet.
- Si plus de sections de gaine doivent être utilisées pour atteindre l'appareil, voir la section « **installation de la terminaison horizontale** ».



## 4.2 raccordement des événements à l'appareil - modèle TDS60-1

- A. Attachez le tuyau télescopique à la dernière section de conduit rigide. Fixez-le avec des vis et scellez.
- B. Fixez-la à l'aide d'au moins trois vis et rondelles lorsque vous utilisant une évent de 3"/5", 4"/7" ou 5"/8" ou une minimum de six vis et rondelles lorsque vous utilisant une évent de 8"/10" ou 8"/11". Scellez le joint et les têtes de vis avec du scellant à haute température W573-0007 (non fourni).
- C. Appliquez un joint de scellant à haute température (non fourni) à l'intérieur de la buse de prise d'air. Glissez le conduit télescopique à l'intérieur de la buse de prise d'air sur une longueur d'au moins 2" (50.8mm).



### note:

Assurez-vous que le scellant n'est pas visible sur les tuyaux extérieurs une fois l'installation terminée. Une bande décorative noire optionnelle est disponible à cet effet. Dans l'éventualité où le système d'évents doit être démonté, il faudra prendre soin de sceller les événements à nouveau.

### ! AVERTISSEMENT

- Risque d'incendie
- Les configurations d'évacuation coaxiales à colinéaires ne doivent être utilisées que dans une cheminée ou une enceinte de nature incombustible. Une installation dans une enceinte combustible peut causer un incendie.

Cet appareil est conçu pour être raccordé à un système d'évent flexible colinéaire de 3" (7,6cm) en aluminium se prolongeant sur toute la longueur de la cheminée de maçonnerie.

Les conduits flexibles s'adaptent à tous les contours d'une cheminée de maçonnerie. Néanmoins, vous devez garder les conduits flexibles aussi droit que possible. Le collet de prise d'air de la terminaison doit être raccordé au conduit flexible de prise d'air et le collet d'évacuation de la terminaison au conduit flexible d'évacuation.

Les adaptateurs colinéaire à coaxial Simpson Duravent et Selkirk sont approuvés pour cet appareil.

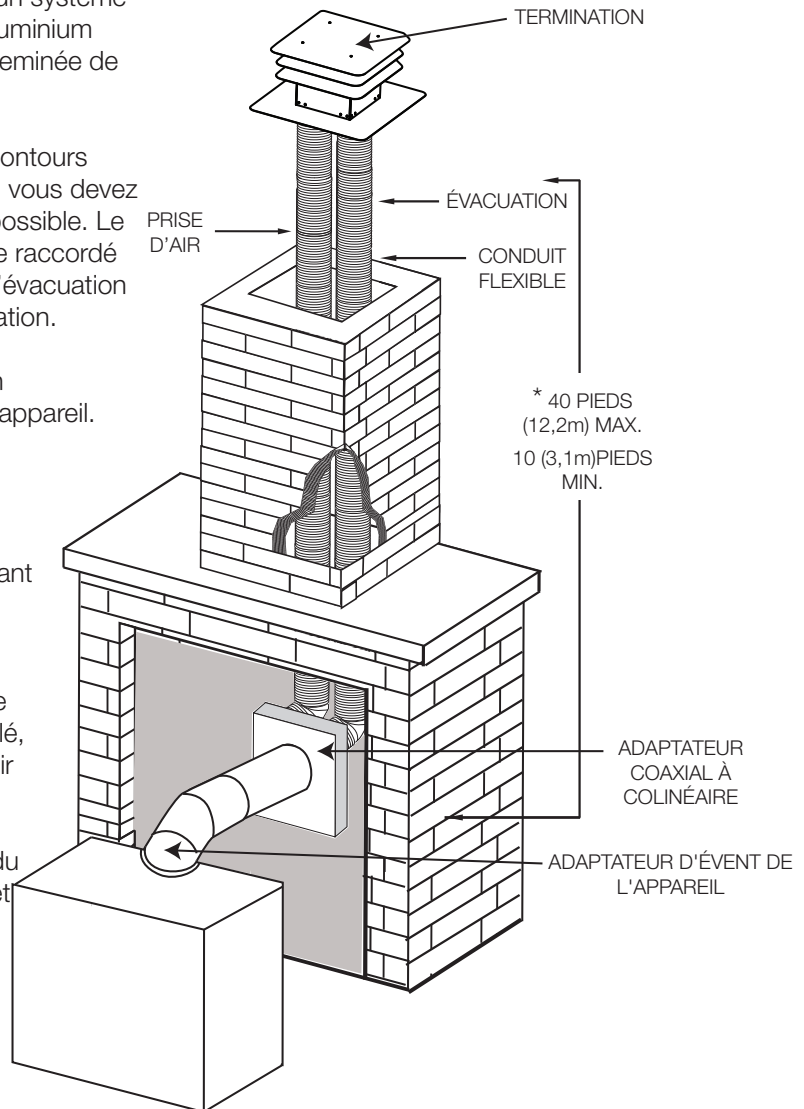
#### note:

Un adaptateur d'évent sera nécessaire directement à partir de l'appareil.

Suivez les instructions d'installation du fabricant du système d'évacuation.

Des composants d'évacuation de différents fabricants ne doivent pas être combinés. Une fois que l'adaptateur de votre choix est installé, le reste du système d'évacuation doit provenir du même fabricant.

La seule exception à cette règle est l'usage du système de conduit flexible de 3" (7,6cm) et de terminaison colinéaire Wolf Steel.



\* Mesurée à partir de la buse de l'appareil jusqu'au collet de la terminaison.



## 4.4 installation dans une maison mobile - modèle TDS60-1

Au Canada, l'installation de l'évacuation dans une maison mobile peut être horizontale ou verticale. Aux États-Unis, l'évacuation ne peut être que verticale. Voir les sections « évacuation verticale » ou « installation de la terminaison horizontale » pour l'installation.

Pour une installation dans une maison mobile, l'appareil doit être fixé en place. Il est recommandé de fixer l'appareil dans tous les types d'installation. Utilisez l'ensemble de bride de fixation et de nivellement GDSLL-KT à cet effet.

## 4.5 branchement du gaz

### AVERTISSEMENT

- Risque d'incendie, d'explosion, ou d'asphyxie. Assurez-vous qu'il n'y ait aucune source d'allumage comme des étincelles ou une flamme nue.
- Soutenez le contrôle du gaz lorsque vous attachez le tuyau pour éviter de plier la conduite de gaz.
- Allumez toujours la veilleuse, que ce soit pour la première fois ou lorsque l'approvisionnement en gaz est épuisé, avec la porte vitrée ouverte ou retirée. La purge doit être effectuée par un technicien qualifié. Assurez-vous que l'arrivée de gaz au brûleur est continue avant de fermer la porte. Assurez-vous d'une ventilation adéquate pour les emplacements de l'entrée du gaz et de l'entrée électrique, voir la section « dimensions ».
- Lorsque le branchement est terminé, tous les raccords de gaz doivent se trouver à l'intérieur de l'appareil (**foyer de gaz seulement**).
- Les pressions élevées endommageront la soupape. L'alimentation en gaz doit être débranchée pendant les essais de pression de ce système lorsque les pressions d'essai excèdent 1/2 LB/PO<sup>2</sup> (3,5 KPA).
- Les réglages de la soupape ont été faits en usine; ne les modifiez pas.

### L'installation et l'entretien doivent être effectuées par un installateur qualifié.

- Mettez l'appareil en place et fixez-le.
- Si l'appareil est muni d'un raccord flexible, celui-ci est conçu pour recevoir une conduite de gaz de 1/2" (13mm). Sans raccord flexible, l'appareil est conçu pour recevoir une conduite de gaz de 3/8" (9,5mm). L'appareil est muni d'une soupape d'arrêt manuelle pour fermer l'alimentation en gaz.
- Branchez le gaz en conformité avec les codes locaux. En l'absence de codes locaux, l'installation doit être conforme au Code d'installation du gaz CAN/CSA-B149.1 dans sa version pour le Canada ou le National Fuel Gas Code, ANSI Z223.1 / NFPA 54 pour les États-Unis.
- Lorsque vous manipulez des conduites de gaz, soutenez la soupape de gaz pour éviter que les conduites ne se plient.
- Le raccord flexible de l'alimentation en gaz devrait être suffisamment mobile pour permettre de placer l'assemblage de brûleur sur le côté pour aider avec l'entretien des composants.
- Vérifiez pour des fuites de gaz en appliquant une solution d'eau savonneuse. **N'utilisez jamais une flamme nue.**

## 4.6 interrupteur / thermostat mural optionnel

Pour faciliter l'accès, un interrupteur mural ou un thermostat millivolt optionnel peut être installé dans un endroit pratique. Passez un fil millivolt à deux brins (noyau solide) de l'appareil à l'interrupteur mural/thermostat millivolt. La longueur maximale dépend du calibre du fil :

| DIAMÈTRE DU FIL | LONGUEUR MAX.   |
|-----------------|-----------------|
| calibre 14      | 100 pieds (30m) |
| calibre 16      | 60 pieds (18m)  |
| calibre 18      | 40 pieds (12m)  |

**MODÈLE À ÉVACUATION DIRECTE TDS60-1:** Débranchez un des fils de l'interrupteur marche/arrêt puis branchez les fils aux fils de l'interrupteur mural/thermostat/récepteur du système de commande à distance. Voir la section « SCHÉMA DE CÂBLAGE ».

**MODÈLE À ÉVACUATION DE TYPE « B » TS60-1:** Débranchez un des fils de l'interrupteur marche/arrêt puis branchez les fils aux fils de l'interrupteur mural/thermostat/récepteur du système de commande à distance/interrupteur d'écoulement de l'adaptateur pour évent de type «B». Voir la section « SCHÉMA DE CÂBLAGE ».

# installation

FR

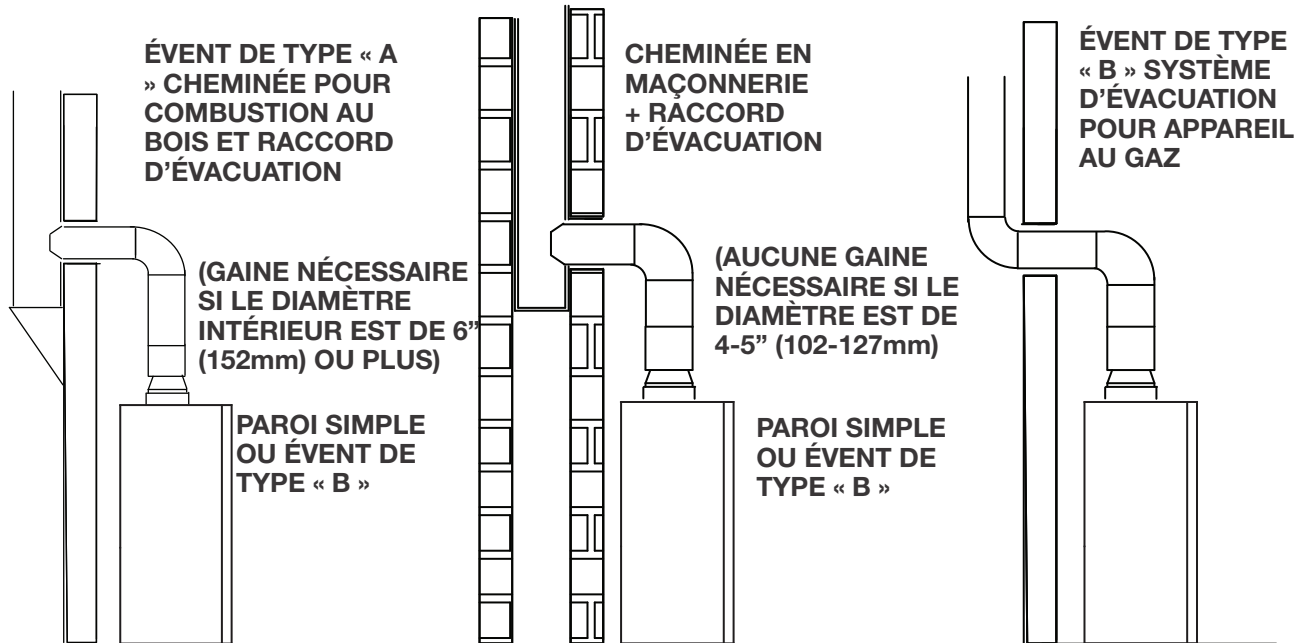
## 4.7 spécification pour le tirage naturel - modèle TS60-1

### 4.7.1 installation de la cheminée

#### **! AVERTISSEMENT**

- Une cheminée servant d'évacuation à cet appareil ne doit pas servir pour un appareil de chauffage à combustible solide.

Trois types de systèmes de cheminée peuvent être utilisés avec cet appareil.



Toutes les courses horizontales doivent avoir une élévation minimale de 1/4" (6,4mm) par pied (0,3m).

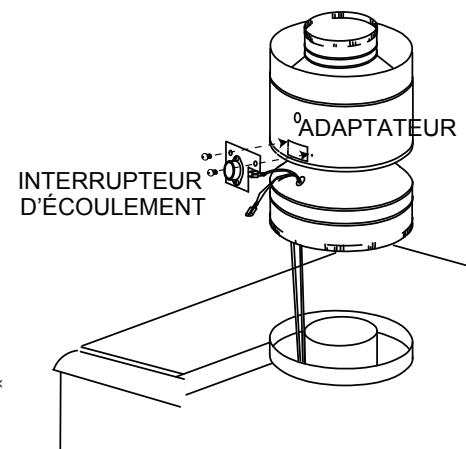
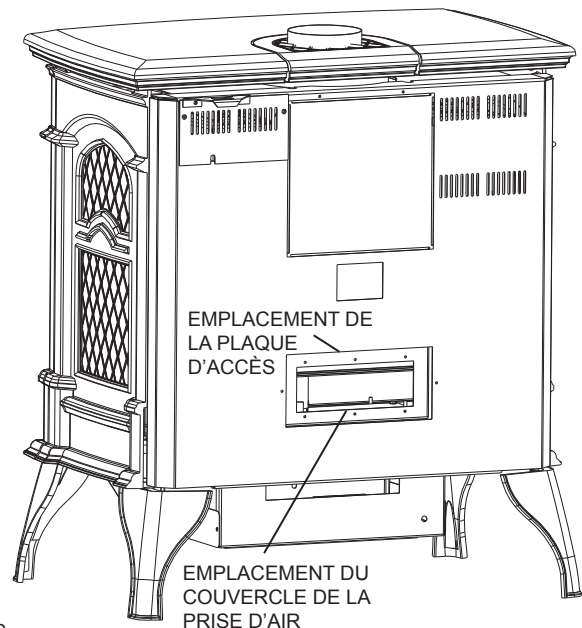
## 4.7.2 installation du tirage naturel

Suivez les instructions du fabricant un tirage naturel pour l'installation de la cheminée.

- A. Enlevez la plaque d'accès. Retirez et jetez le couvercle de la prise d'air situé directement en arrière de la plaque d'accès.
- B. Passez les deux fils fournis à travers le collet de 7" (178mm) sur le dessus de l'appareil; sortez-les par l'ouverture de la prise d'air, mais tout en demeurant derrière le panneau arrière tel qu'illustré.

**NOTE : Assurez-vous que les 2 extrémités femelles demeurent sur le dessus. Remettez en place la plaque d'accès.**

- C. Retirez le support de l'interrupteur d'écoulement de l'arrière de l'adaptateur. Dévissez l'interrupteur d'écoulement et jetez le support. Fixez l'interrupteur d'écoulement au support fourni avec l'appareil et fixez-le sur l'adaptateur.
- D. Passez les fils dans le trou inférieur de l'adaptateur. Afin de passer les fils dans le trou plus facilement, attachez temporairement les deux connecteurs ensemble, avec du ruban adhésif.
- E. Avec l'ouverture de l'interrupteur d'écoulement alignée avec l'arrière de l'appareil, tenez l'adaptateur par la base et insérez le rebord gaufré de l'adaptateur dans le collet de la buse de l'appareil.
- F. Branchez les connecteurs à l'interrupteur d'écoulement.
- G. Débranchez les fils de l'interrupteur marche/arrêt, voir la section « SCHÉMA DE CÂBLAGE » et rebranchez-les à l'extrémité des fils de l'interrupteur d'écoulement. Placez tout excès de fils de façon ordonné.



Pour des raisons esthétiques, l'adaptateur a été conçu pour un tuyau d'appareil standard de 7" (178mm) de couleur noir mat et la bande décorative en laiton de Wolf Steel (standard avec le GS-150KT). Les deux sont disponibles auprès de votre détaillant autorisée.

## 4.7.3 tirage naturel

Appelez l'étiquette d'un tirage naturel, ci-dessous, près des contrôles de l'appareil.

ATTACH THIS LABEL IN THE CONTROL AREA OF THE APPLIANCE.  
**THIS APPLIANCE HAS BEEN CONVERTED TO A NATURAL VENT MODEL.**

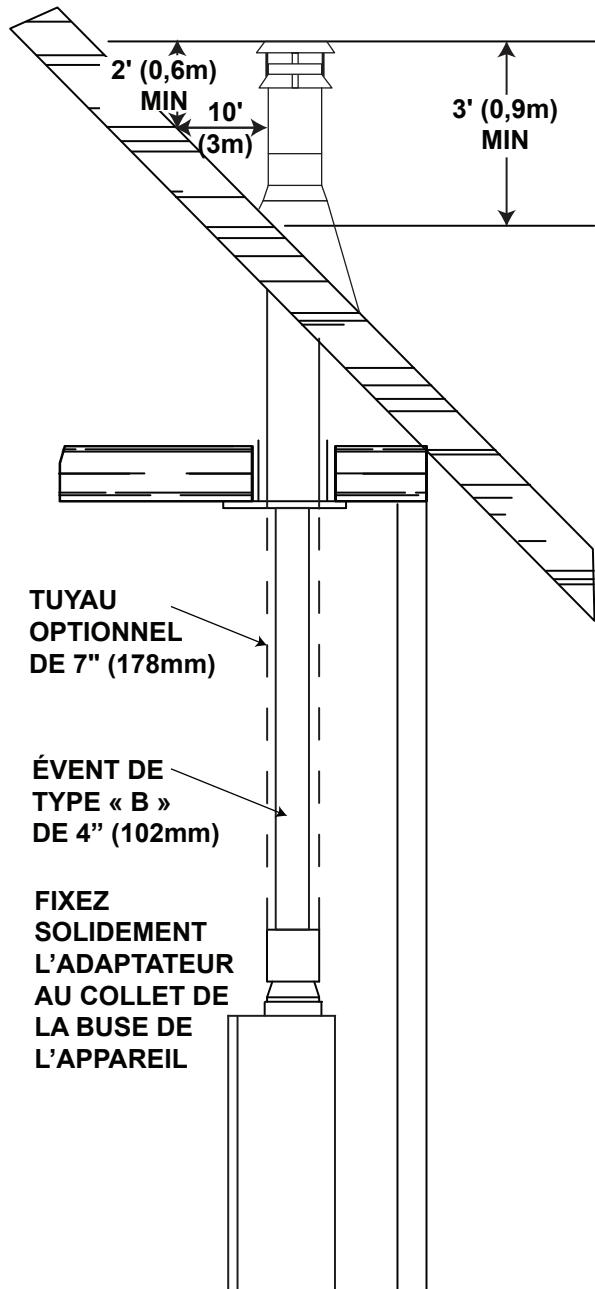
ATTACHEZ CET ÉTIQUETTE DANS LA RÉGION DE CONTRÔLE DU FOYER.  
**CET APPAREIL A ÉTÉ CONVERTI À UN MODÈLE À TIRAGE NATUREL.**

W385-0160 / B

## 4.7.4 air comburant

Cet appareil requiert de l'air pour fonctionner de façon sécuritaire et doit être installé dans un endroit où l'air comburant disponible sera suffisant.

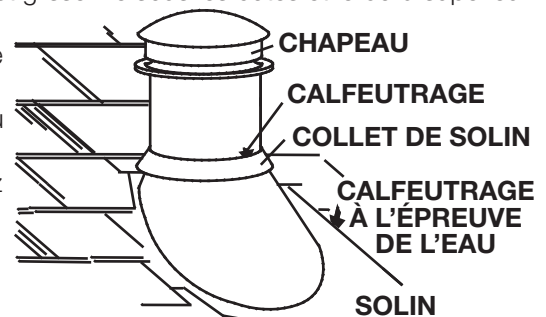




## 4.7.6 installation du solin et du collet de solin

Les instructions d'installation suivants sont générales pour l'installation du solin autour de la cheminée.

L'installation de tous les types de systèmes construits en usine doivent être installées en conformité avec les instructions d'installation du fabricant de la cheminée. Enlevez les clous des bardeaux sur le dessus et les côtés de la cheminée. Placez le solin par-dessus le tuyau d'évacuation et glissez-le sous les côtés et le bord supérieur des bardeaux. Assurez-vous que le tuyau est bien centré dans le solin en laissant une marge de 3/4" (19,1mm) tout autour. Fixez-le au toit sur le dessus et les côtés. **NE CLOUEZ PAS** à travers la partie inférieure du solin. Imperméabilisez-le en le scellant avec du calfeutrage. Si possible, recouvrez les côtés et les bords supérieurs du solin avec des matériaux de couvertures. Appliquez un joint de calfeutrage à l'épreuve de l'eau autour de l'évacuation à 1" (25,4mm) au-dessus du haut du solin et glissez le collet de solin jusqu'à la ligne de calfeutrage. Fixez un chapeau vertical au sommet de la dernière section de l'évacuation.



## 5.0 finition

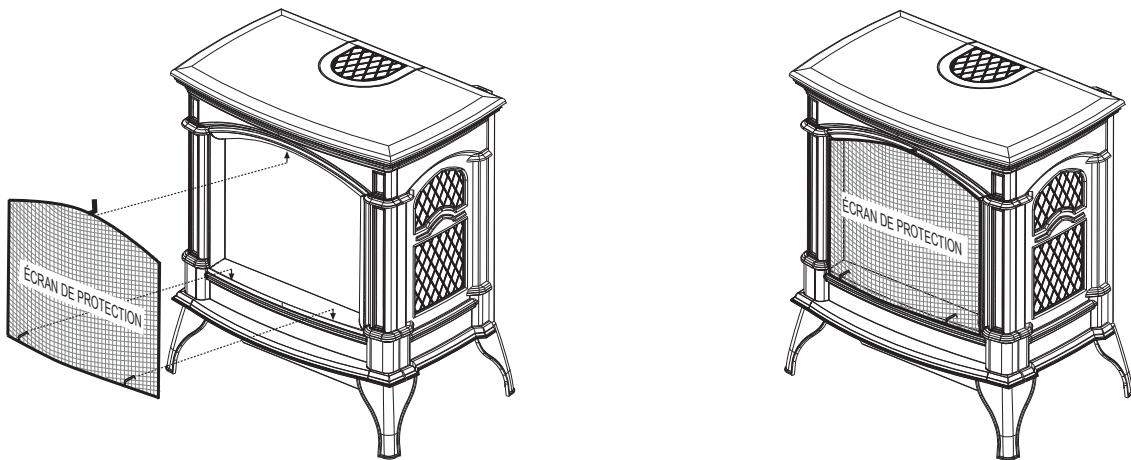
### 5.1 enlèvement de la façade en fonte

- A. Soulevez et retirez le dessus de l'appareil.
- B. Dévissez les boulons de fixation de la façade en fonte (situés de chaque côté dans le haut). Soulevez et retirez.
- C. Pour installer la façade, répétez la procédure en sens inverse.

### 5.2 installation et enlèvement de l'écran de protection

**Une barrière conçu à réduire le risque de brûlures à partir de la chaude la vitre est à condition que avec l'appareil et sera être installés.**

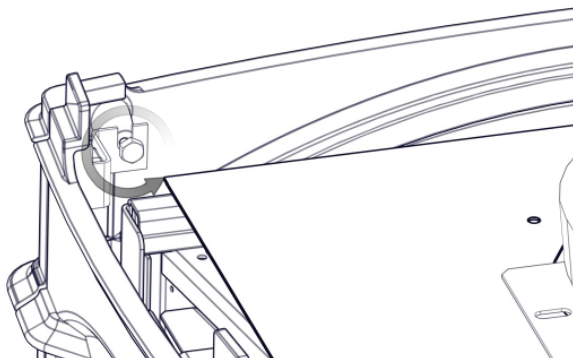
- A. Enlevez l'écran de protection en soulevant légèrement, enfoncez le bas alors inférieure de l'écran. Enlevez et jetez la plastique.
- B. Inclinez le dessus de l'écran de protection vers l'appareil et fixez sous la coulée haut.
- C. Faites basculer l'inférieure de l'écran de protection en position et inférieure, ce qui permet aux pinces de fond pour reposer sur l'ouverture du fond. Attention à ne pas rayer la coulée de fond.



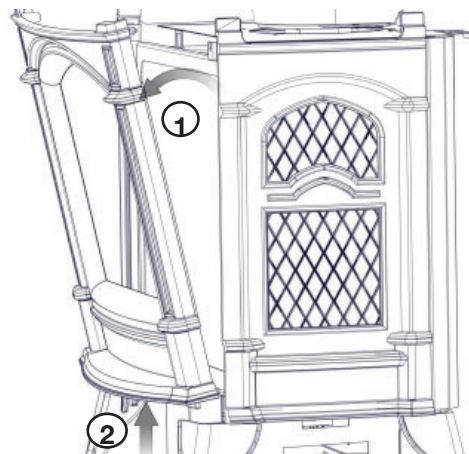
### 5.3 enlèvement et installation de la porte vitrée

Lors du retrait et de l'installallation de la porte, faites bien attention à ce que le joint d'étanchéité dans le haut de la porte ne s'entasse pas. Lors du retrait de la porte vitrée, de simples instructions doivent être suivies afin de ne pas l'endommager.

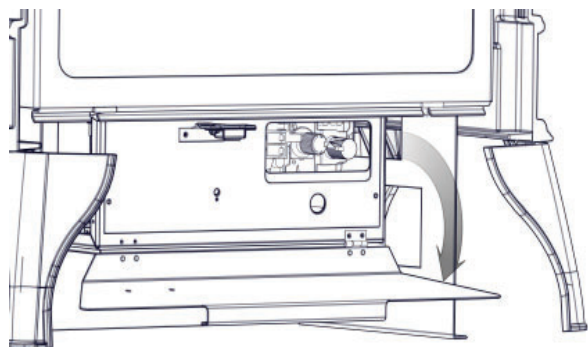
- A.** Soulevez et retirez le dessus en fonte de l'appareil.



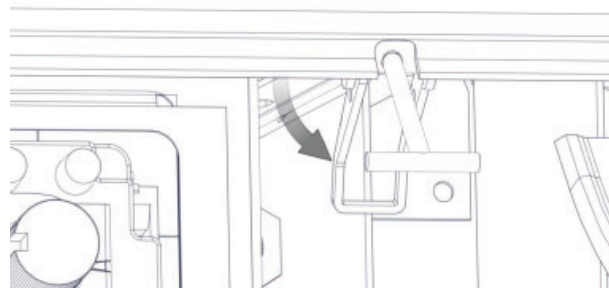
- B.** Enlevez les boulons de fixation de la façade en fonte (situés de chaque côté dans le haut) à l'aide d'une clé de 10mm (non fournie).



- C.** Inclinez le haut de la façade en fonte et soulevez.



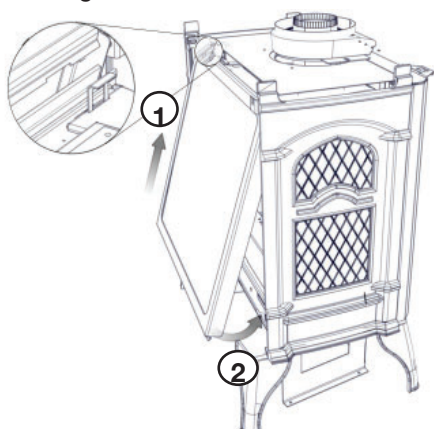
**D.** Ouvrez la porte de contrôle de la soupape.



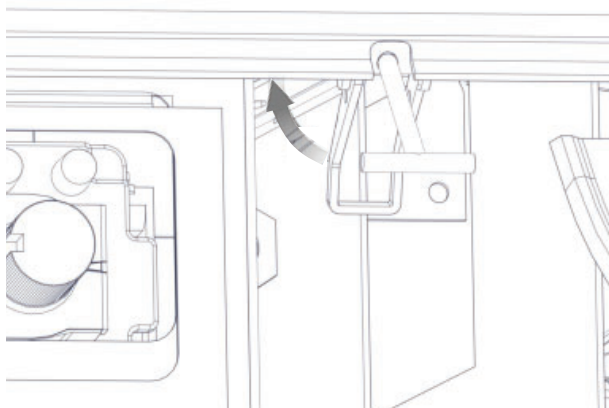
**E.** Tirez les poignées de déverrouillage (situées à l'intérieur de chaque côté) vers l'avant pour déverrouiller les loquets en «T». L'extrémité du loquet en «T» est filitée et peut être desserrée ou serrée afin de bien ajuster l'étanchéité de la porte.

**F.** Soulevez la porte vers l'haut en éloignant du bord supérieur et retirez-la en glissant sous les dispositifs de retenue supérieurs.

**REMARQUE:** Lors du retrait de la porte vitrée, de simples instructions doivent être suivies afin de ne pas l'endommager.

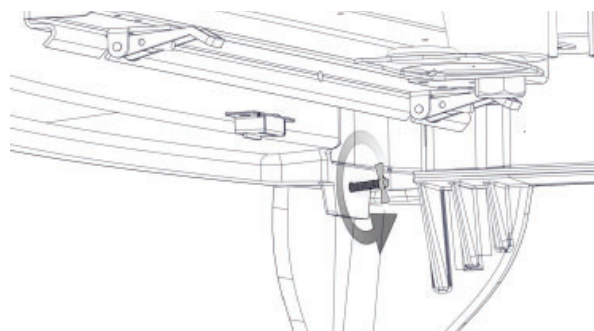


**G.** Faites glisser la porte vitrée sous les dispositifs de retenue supérieurs et appuyez-la sur le bord de la chambre à combustion. Faites pivoter le dessous vers l'intérieur.



**H.** Faites glisser les loquets en «T» dans les rainures dans le bas de la vitre et fixez les poignées de déverrouillage.

**I.** Installez la façade en fonte par-dessus les pattes et réinstallez les boulons enlevés à l'étape B en les serrant bien.



**J.** Remplacez le dessus en fonte.

**REMARQUE:** Si un ajustement de l'espace est requis entre la façade et le côté en fonte, serrez ou desserrez les vis à oreilles (situés de chaque côté dans le bas).

## 5.4 installation de boîtier de piles

### AVERTISSEMENT

- Assurez-vous de fermer l'alimentation de gaz et d'électricité.
- Assurez-vous que l'appareil est complètement refroidi avant de commencer l'installation.

- A. Installez quatre piles "AA" dans votre sauvegarde de pile, garantir que les extrémités positive et négative correspondent à ceux identifiés sur le sauvegarde de pile. (Pour ouvrir le sauvegarde de pile glissez-la pièce vers le haut).
- B. Branchez le fil étiqueté "BATTERY" du harnais de fils au sauvegarde de pile, le fil se trouve dans le compartiment de commande.
- C. Placez le sauvegarde de pile dans le compartiment du soupape au-dessous du brûleur, garantir que le sauvegarde de pile est placé dans un endroit propre et facilement accessible.
- D. Ouvrir l'alimentation de gaz et l'alimentation électrique pour fonctionner l'appareil.

## 5.5 remplacement de la vitre de la porte

### AVERTISSEMENT

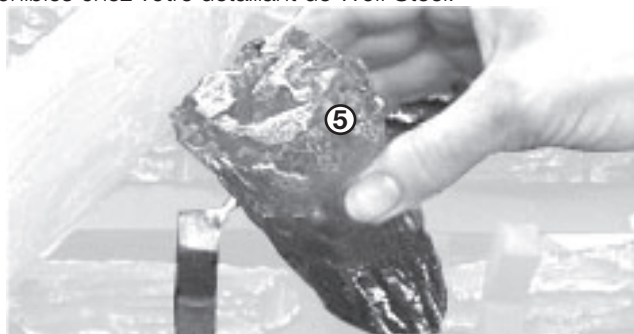
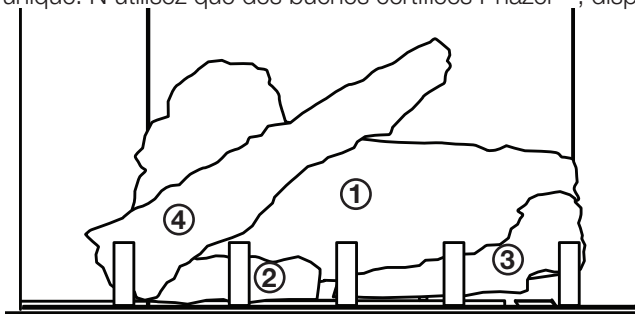
- N'utilisez pas de matériaux de substitution.
- La vitre peut être chaude, ne touchez pas la vitre jusqu'à ce qu'elle ait refroidi.
- Usez de prudence lorsque vous enlevez et jetez des débris de verre des composants endommagés. Assurez-vous d'aspirer tous les débris de verre à l'intérieur de l'appareil avant de le faire fonctionner.
- Ne frappez pas, ne claquez pas et n'égratignez pas la porte vitrée. Ne faites pas fonctionner l'appareil lorsque la porte vitrée est enlevée, fissurée, brisée ou égratignée.

Ensemble de verre/cadre de remplacement est remplacé complète telle que fournie par le fabricant de l'appareil.



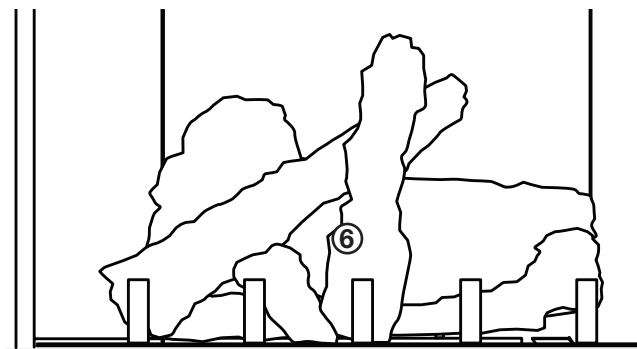
## 5.6 disposition des bûches

Le blocage des orifices du brûleur peut créer une flamme irrégulière, des dépôts de carbone et un retard d'allumage. Les bûches Phazer<sup>MD</sup> rougeoient lorsqu'elles sont exposées à une flamme directe, créant un effet incandescent réaliste et unique. N'utilisez que des bûches certifiées Phazer<sup>MD</sup>, disponibles chez votre détaillant de Wolf Steel.

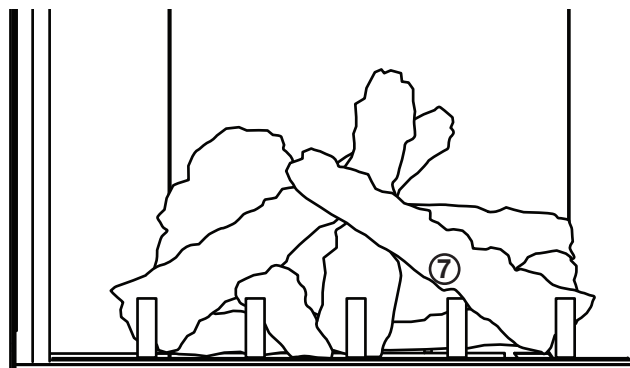


Placez la bûche #1 sur le brûleur, en prenant soin de la centrer sur le plateau du brûleur et en la poussant le plus près possible du mur arrière de la chambre de combustion. Placez les bûches #2 et #3 à leur place, tout en alignant les tiges situées sur le brûleur avec les trous sous les bûches. Placez l'encoche située au bas de la bûche #4 contre le poteau le plus à gauche du chenet et placez le haut de la bûche dans la rainure qui se trouve sur la bûche arrière (#1).

L'encoche de la bûche #5 doit être placée sur la tige située sur le poteau de chenet tel qu'illustré afin d'empêcher la bûche de bouger.



Placez l'encoche de la bûche #6 contre le poteau du chenet.



Placez le bas de la bûche #7 contre le poteau le plus à droite du chenet et le haut dans la rainure située sur la bûche centrale (#6). Pliez légèrement le poteau vers l'intérieur afin de mieux supporter la bûche #7. Déchirez les braises incandescentes en morceaux et placez-les en avant du brûleur. Les braises devraient être déchirées très soigneusement en petits morceaux minces irréguliers, car seuls les côtés des fibres exposées à la flamme directe deviendront incandescentes; cependant, prenez bien garde de ne pas boucher les orifices du brûleur. Le blocage des orifices du brûleur peut créer une flamme irrégulière, des dépôts de carbone et un retard d'allumage.

La couleur des bûches peut varier. Lors de la première utilisation de l'appareil, les couleurs deviendront plus uniformes à mesure que leurs pigments seront absorbés pendant le procédé de cuisson.

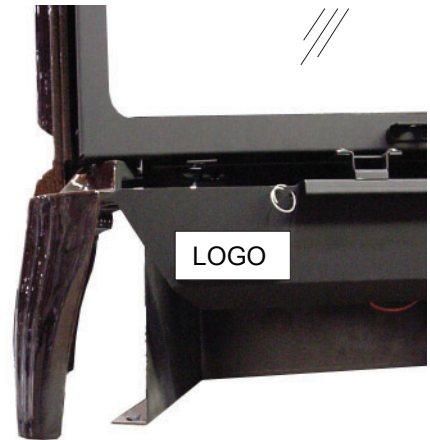
**IL SE PRODUIRA DES DÉPÔTS DE CARBONE ET UNE DIMINUTION DE FLAMME SI LES BÛCHES NE SONT PAS PLACÉES CORRECTEMENT.**

# finition

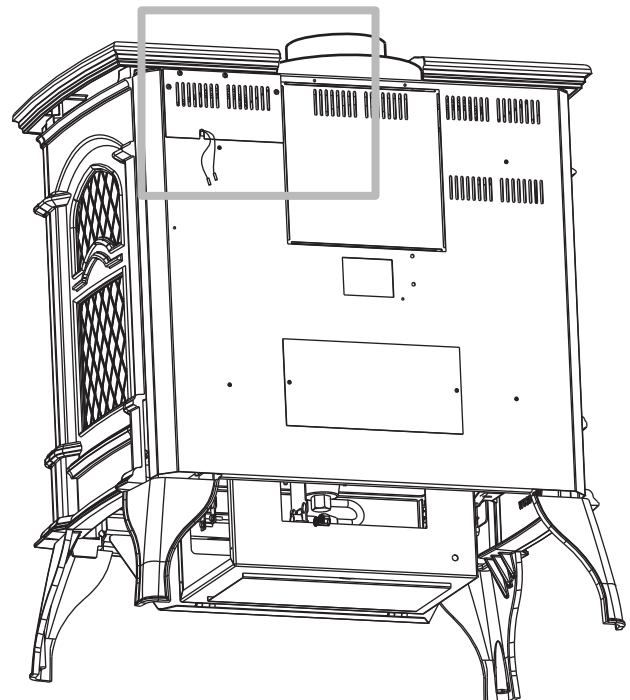
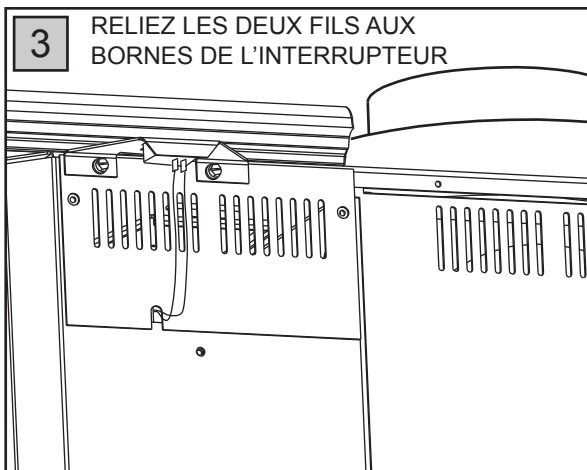
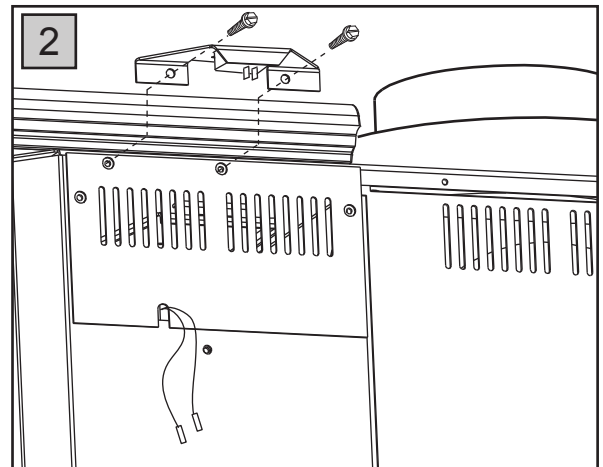
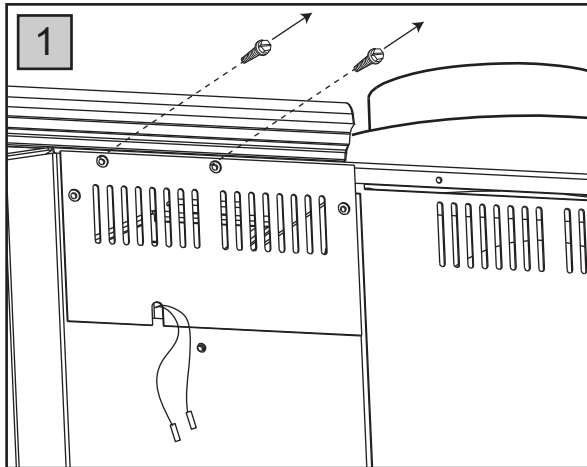
FR

## 5.7 mise en place du logo

Retirez le papier dorsal du logo fourni et positionnez-le de façon à camoufler les trous.



## 5.8 installation de l'interrupteur et du support



## 6.0 installation de la soufflerie

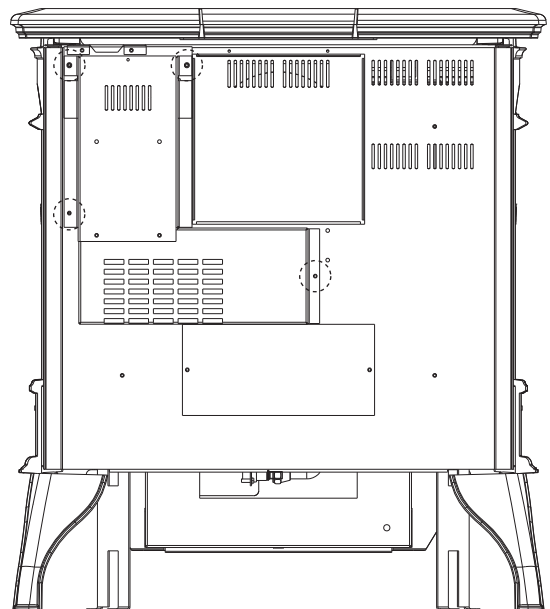
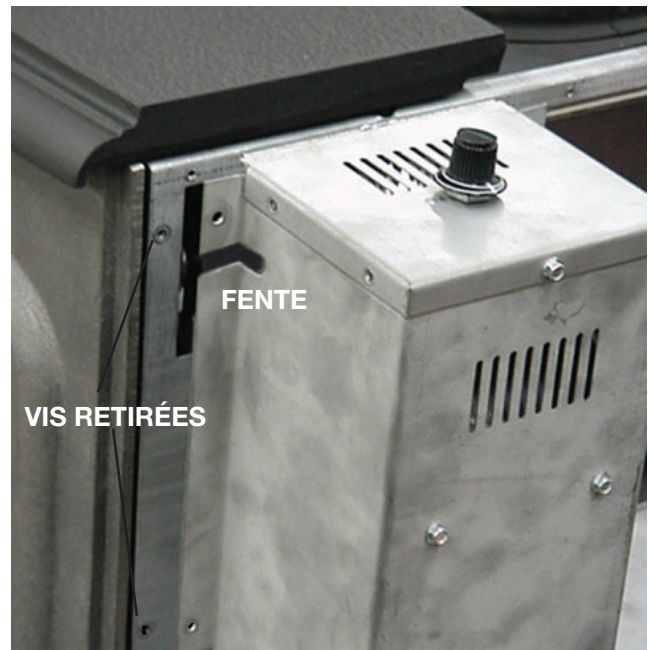
FR

- A. Assurez-vous que la plaque d'accès a été installée. Voir la section « INSTALLATION DE L'INTERRUPTEUR ET DU SUPPORT ».
- B. Retirez le support de l'interrupteur marche/arrêt et la plaque en dessous de celui-ci. Les espaceurs de l'interrupteur et la plaque peuvent être jetés.
- C. Décidez de quel côté du boîtier de la soufflerie vous préférez installer l'interrupteur marche/arrêt.
- D. Retirez les 2 vis supérieures du côté gauche de l'appareil.
- E. Installez et fixez le boîtier de la soufflerie à l'aide de 4 vis (dont 2 vis qui avaient été retirées à l'étape précédente). Assurez-vous que les fils de l'interrupteur marche/arrêt passent à travers la fente appropriée située sur l'un ou l'autre côté du boîtier de la soufflerie.
- F. Retirez les 2 vis du côté du boîtier de la soufflerie sur lequel vous voulez installer l'interrupteur et refixez l'interrupteur marche/arrêt.

La soufflerie étant actionnée par la chaleur lorsque l'interrupteur est à « ON », elle se mettra automatiquement en marche, environ 15 à 30 minutes après l'allumage de l'appareil et fonctionnera de 30 à 45 minutes environ après l'arrêt de l'appareil. L'utilisation de la soufflerie accroît le débit de chaleur.

La poussière de gypse pénétrera dans le roulement à billes de la soufflerie causant ainsi des dommages irréparables. Vous devez éviter que cette poussière n'entre en contact avec la soufflerie ou son compartiment.

Tout dommage causé par ce problème ne sera pas couvert par la garantie.

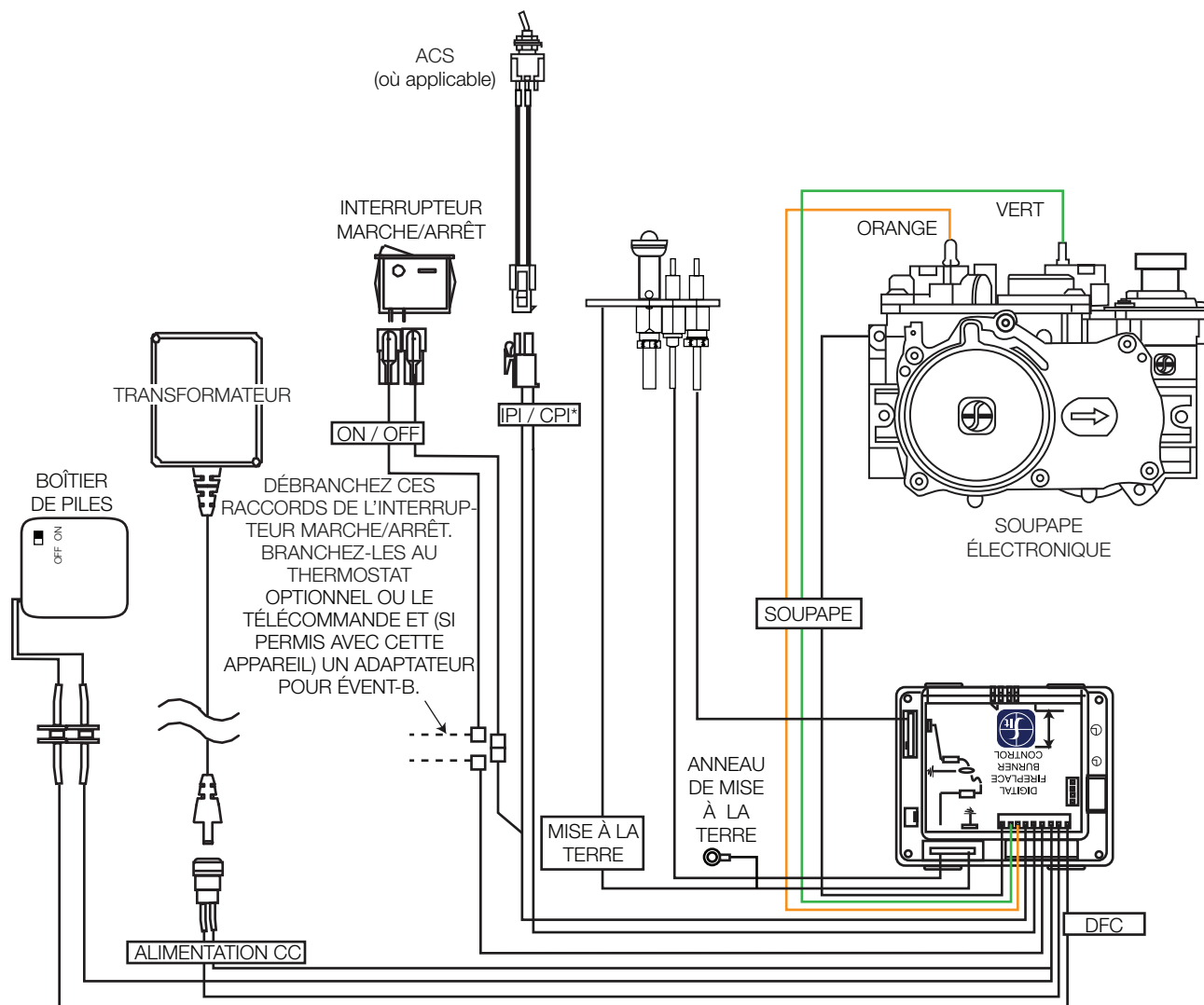


## 7.0 schéma de câblage

FR

### ⚠️ AVERTISSEMENT

- Ne raccordez pas l'interrupteur mural ou la soupape de gaz à l'alimentation électrique (110 volts).



S'IL Y A LIEU, LES APPAREILS AVEC LES ADAPTATEURS POUR ÉVENT-B DOIVENT AVOIR L'INTERRUPTEUR D'ÉCOULEMENT BRANCHÉ EN SÉRIE AVEC L'INTERRUPTEUR ACTUEL OU L'INTERRUPTEUR MURAL OPTIONNEL, LE THERMOSTAT OU LE SYSTÈME DE TÉLÉCOMMANDE.

#### note:

Cet appareil est équipé avec un boîtier de piles. Si le boîtier de piles est utilisé, installez quatre piles AA (non fournies) dans le support et branchez-le au harnais de fils. Branchez le boîtier de piles au harnais de fils avant d'utiliser l'appareil. Placez-le près du panneau DFC. Si le boîtier de piles est utilisé, il doit être branché au bloc-piles 6 volts (fourni).

#### Légende

|            |  |
|------------|--|
| <b>DFC</b> | Commande Digital de Foyer                              |
| <b>CC</b>  | Courant Continu  |
| <b>IPI</b> | Allumage de Pilote Intermittent                        |
| <b>CPI</b> | Allumage de Pilote Continu (avec minuterie de 7 jours) |
| <b>ACS</b> | Interrupteur Contre la Condensation (IPI / CPI)        |

## AVERTISSEMENT

- Si ces instructions ne sont pas suivies à la lettre, un incendie ou une explosion pourraient s'ensuivre, causant des dommages matériels, des blessures corporelles ou des pertes de vie.
- Allumez toujours la veilleuse, que ce soit pour la première fois ou lorsque l'approvisionnement en gaz est épuisé, avec la porte vitrée ouverte ou retirée.
- Toute modification apportée à l'interrupteur d'écoulement peut provoquer un empoisonnement par monoxyde de carbone et peut être mortel (TS60 seulement).

### **MODÈLE TS60 SEULEMENT : INTERRUPTEUR D'ÉCOULEMENT**

Ceci est un interrupteur activé par la chaleur qui est fixé à l'arrière de l'adaptateur de la cheminée et qui détecte les variations de température et ferme la soupape de gaz dans l'éventualité d'un tuyau de cheminée bloqué ou défectueux. Il agit comme un interrupteur de sécurité pour éviter une accumulation de monoxyde de carbone ou une explosion de gaz non brûlés durant l'allumage. Si le tuyau de cheminée est bouché ou ne tire pas, l'interrupteur d'écoulement coupera automatiquement l'arrivée du gaz dans les 5 à 10 minutes qui suivent.

### **MODÈLE TS60 SEULEMENT : VÉRIFICATION DU BON FONCTIONNEMENT DE L'ÉVACUATION**

ON DOIT VÉRIFIER LE BON FONCTIONNEMENT DE L'ÉVACUATION DE L'APPAREIL APRÈS L'INSTALLATION ET AVANT DE QUITTER LE CLIENT. Testez de la manière suivante :

- Fermez toutes les portes et les fenêtres de la pièce/faites fonctionner les ventilateurs d'évacuation de la maison/éteignez la soufflerie de l'appareil (s'il y a lieu).
- Placez les boutons de contrôle à « HIGH » et allumez l'appareil.
- Attendez 5 minutes. Allumez une allumette et introduisez-la à une profondeur de 1" (25mm) à l'intérieur du trou situé au-dessus du support de l'interrupteur d'écoulement.
- Le fonctionnement de l'évacuation est satisfaisant si la flamme reste allumée, mais insatisfaisant si la flamme s'éteint.
- Si le fonctionnement de l'évacuation est insatisfaisant, éteignez l'appareil, attendez 10 minutes et essayez à nouveau. Si l'allumette ne reste pas allumée, éteignez l'appareil et vérifiez s'il n'y aurait pas un blocage ou une obstruction dans l'évacuation. Si nécessaire, consultez un inspecteur qualifié.

## 8.1 instructions de fonctionnement

L'interrupteur du brûleur est situé à l'arrière de l'appareil au coin supérieur gauche sur les modèles TDS60 et TS60.

**NOTE : Le déflecteur dans la chambre de combustion de votre nouvel appareil n'a pas été peint intentionnellement. Son apparence lustrée se transformera rapidement en un fini noir mat lors du procédé de « cuisson » initial de l'appareil.**

Lorsqu'il est allumé pour la première fois, l'appareil dégagera une légère odeur pendant quelques heures. Cela est une condition normale temporaire causée par la cuisson de la peinture et l'évaporation des lubrifiants internes utilisés dans le processus de fabrication; elle ne se reproduira plus. Après de longues périodes sans utiliser l'appareil, comme à la suite de vacances ou à la fin de l'été, il se peut qu'une légère odeur se dégage pendant quelques heures. Ceci est causé par des particules de poussière brûlant dans l'échangeur de chaleur. Dans les deux cas, ouvrez une fenêtre pour aérer la pièce.

## 8.2 veilleuse sur demande

Cet appareil est équipé d'un système de veilleuse à allumage intermittent (IPI) « Sur demande » qui comprend également un mode de veilleuse permanente (CPI) avec une minuterie intégrée de sept jours. Ce système minimise l'empreinte carbone de votre appareil et réduit sa consommation annuelle de combustible ainsi que son coût de fonctionnement.

En mode intermittent (IPI), la veilleuse s'allume avant le brûleur principal, lorsque l'appareil est allumé à l'aide d'un interrupteur, d'une télécommande ou d'un appel de chaleur par le thermostat (s'il y a lieu). Une fois l'appareil éteint (ou l'appel de chaleur satisfait), le brûleur principal et la veilleuse s'éteignent.

Le mode continu (CPI) est destiné à améliorer les performances de l'appareil pendant la phase d'allumage dans des climats plus froids et par temps extrême en maintenant le système au chaud lorsque le brûleur principal n'est pas allumé. Cependant, la fonction de minuterie permet d'éteindre automatiquement la veilleuse lorsque l'appareil n'est pas utilisé pendant sept jours afin de réduire la consommation de combustible.

Lorsque le mode continu (CPI) est activé, la veilleuse reste allumée après que le brûleur principal soit éteint. Une minuterie commencera alors le décompte pendant environ sept jours avant d'éteindre la veilleuse si l'appareil n'est pas utilisé. Ce décompte se réinitialisera chaque fois que le brûleur principal de l'appareil sera allumé. Par conséquent, si l'appareil est utilisé régulièrement sur une base journalière, la veilleuse restera allumée. Ce système ne requiert donc pas que l'utilisateur se souvienne d'éteindre la veilleuse à l'approche de l'été, évitant de consommer inutilement du combustible tout en demeurant prêt à être rallumé lorsque le temps froid est de retour.

Votre appareil peut être équipé d'un interrupteur anticondensation ACS ou d'une télécommande qui vous permet de sélectionner les modes IPI ou CPI.

Si votre appareil est équipé d'un interrupteur ACS, il offre la possibilité de changer de mode. Si l'interrupteur est installé avec le fil bleu orienté vers le haut, basculer l'interrupteur vers le HAUT activera la veilleuse permanente avec la minuterie tandis que basculer l'interrupteur vers le BAS activera le mode d'allumage intermittent de la veilleuse. Si l'interrupteur est installé avec le fil blanc orienté vers le haut, c'est l'inverse qui se produit.

Si votre appareil est pourvu d'une télécommande qui vous permet de sélectionner les modes IPI ou CPI, reportez-vous aux instructions de fonctionnement de la télécommande.

Pour démarrer la veilleuse, en allumant le brûleur principal à l'aide de l'interrupteur, de la télécommande ou du thermostat, et ensuite en l'éteignant, réactivera le mode veilleuse permanente et réinitialisera la minuterie de sept jours.

Pour plus d'informations, consultez le site [www.napoleon.com/pilotondemand](http://www.napoleon.com/pilotondemand).



### 8.3 instructions de fonctionnement - pour votre sécurité, lisez ce qui suit avant d'allumer l'appareil

**OPERATING INSTRUCTIONS / INSTRUCTIONS D'OPÉRATION**  
**FOR YOUR SAFETY READ BEFORE OPERATING / POUR VOTRE SÉCURITÉ LIRE AVANT DE FAIRE FONCTIONNER**

**WARNING:** DO NOT TURN ON IF CHILDREN OR OTHER AT RISK INDIVIDUALS ARE NEAR THE APPLIANCE. IF YOU DO NOT FOLLOW THESE INSTRUCTIONS EXACTLY, A FIRE OR EXPLOSION MAY RESULT CAUSING PROPERTY DAMAGE, PERSONAL INJURY OR LOSS OF LIFE. INITIAL LIGHTING OF THE PILOT AND MAIN BURNERS MUST BE DONE WITH THE GLASS DOOR OFF. DO NOT CONNECT VALVE OR WALL SWITCH TO ELECTRICITY. SEE INSTALLATION INSTRUCTIONS.

**A.** THIS APPLIANCE IS EQUIPPED WITH AN IGNITION DEVICE WHICH AUTOMATICALLY LIGHTS THE PILOT. DO NOT TRY TO LIGHT BY HAND.  
**B.** BEFORE OPERATING, SMELL ALL AROUND THE APPLIANCE AREA FOR GAS AND NEXT TO THE FLOOR BECAUSE SOME GAS IS HEAVIER THAN AIR AND WILL SETTLE ON THE FLOOR.

**WHAT TO DO IF YOU SMELL GAS:**

- TURN OFF ALL GAS TO THE APPLIANCE.
- OPEN WINDOWS.
- DO NOT TRY TO LIGHT ANY APPLIANCE.
- DO NOT TOUCH ANY ELECTRICAL SWITCH; DO NOT USE ANY PHONE IN YOUR BUILDING.
- IMMEDIATELY CALL YOUR GAS SUPPLIER FROM A NEIGHBOUR'S PHONE. FOLLOW THE GAS SUPPLIER'S INSTRUCTIONS.
- IF YOU CANNOT REACH YOUR GAS SUPPLIER, CALL THE FIRE DEPARTMENT.

**C.** DO NOT TRY TO REPAIR ANY PART OF THIS ASSEMBLY. CALL A QUALIFIED SERVICE TECHNICIAN. FORCE OR ATTEMPTED REPAIR MAY RESULT IN A FIRE OR EXPLOSION.  
**D.** DO NOT USE THIS APPLIANCE IF ANY PART HAS BEEN UNDER WATER. IMMEDIATELY CALL A QUALIFIED SERVICE TECHNICIAN TO INSPECT THE APPLIANCE AND REPLACE ANY PART OF THE CONTROL SYSTEM AND ANY GAS CONTROL WHICH HAS BEEN UNDER WATER.

**ATTENTION:** NE PAS ALLUMER SI DES ENFANTS OU D'AUTRES INDIVIDUS À RISQUE SONT À PROXIMITÉ DU FOYER. QUICONQUE NE RESPECTE PAS À LA LETTRE LES INSTRUCTIONS DANS LA PRÉSENTE NOTICE, RISQUE DE DÉCLENCHER UN INCENDIE OU UN EXPLOSION ENTRAÎNANT DES DOMMAGES, DES BLESSURES OU LA MORT. L'ALLUMAGE INITIAL DE LA VEILLEUSE ET DU BRÛLEUR PRINCIPAL DOIT SE FAIRE AVEC LA PORTE VITRÉE ENLEVÉE. NE RACCORDEZ PAS LA SOUPAPE OU L'INTERRUPTEUR MURAL À L'ÉLECTRICITÉ. CONSULTEZ LES INSTRUCTIONS D'INSTALLATION.

**A.** CET APPAREIL EST MUNI D'UN DISPOSITIF D'ALLUMAGE QUI ALLUME AUTOMATIQUEMENT LA VEILLEUSE. NE TENTEZ PAS D'ALLUMER LA VEILLEUSE MANUELLEMENT.  
**B.** AVANT DE FAIRE FONCTIONNER, RENIFLEZ TOUT AUTOUR DE L'APPAREIL POUR DÉCÉLER UN ODEUR DE GAZ. RENIFLEZ PRÈS DU PLANCHER, CAR CERTAINS GAZ SONT PLUS LOURDS QUE L'AIR ET PEUVENT S'ACCUMULER AU NIVEAU DU SOL.

**QUE FAIRE SI VOUS DÉTECTEZ UNE ODEUR DE GAZ:**



- COUPEZ L'ALIMENTATION DE GAZ PRINCIPALE.
- OUVREZ LES FENÊTRES.
- NE PAS TENTER D'ALLUMER D'APPAREIL.
- NE TOUCHEZ À AUCUN INTERRUPTEUR; NE PAS VOUS SERVIR DES TÉLÉPHONES SE TROUVANT DANS LE BÂTIMENT.
- APPELEZ IMMÉDIATEMENT VOTRE FOURNISSEUR DE GAZ DEPUIS UN VOISIN. SUIVEZ LES INSTRUCTIONS DU FOURNISSEUR.
- SI VOUS NE POUVEZ REJOINDRE LE FOURNISSEUR APPELEZ LE SERVICE DES INCENDIES.

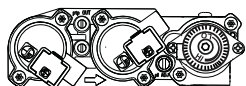
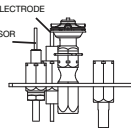
**C.** N'ESSAYEZ PAS DE RÉPARER AUCUNE PIÈCE DE CET ASSEMBLAGE. APPELEZ UN TECHNICIEN QUALIFIÉ. FORCER OU TENTER DE RÉPARER L'ASSEMBLAGE POURRAIT CAUSER UN FEU OU UNE EXPLOSION.  
**D.** N'UTILISEZ PAS CET APPAREIL S'IL A ÉTÉ PLONGÉ DANS L'EAU, MÊME PARTIELLEMENT. FAITES INSPECTER L'APPAREIL PAR UN TECHNICIEN QUALIFIÉ ET REMPLACEZ TOUTE PARTIE DU SYSTÈME DE CONTRÔLE ET TOUTE COMMANDE QUI ONT ÉTÉ PLONGÉS DANS L'EAU.

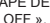

W385-0460 / E

### 8.4 instructions d'allumage



**LIGHTING INSTRUCTIONS / INSTRUCTIONS D'ALLUMAGE**

1. **STOP!** READ ALL INFORMATION OF OPERATING AND LIGHTING INSTRUCTIONS BEFORE PROCEEDING.
2. TURN OFF ELECTRICAL POWER TO THE APPLIANCE.
3. THIS APPLIANCE IS EQUIPPED WITH AN IGNITION DEVICE WHICH AUTOMATICALLY LIGHTS THE PILOT. DO NOT TRY TO LIGHT THE PILOT BY HAND.
4. OPEN THE GLASS DOOR.
5. TURN MANUAL SHUTOFF VALVE CLOCKWISE  TO OFF.
6. WAIT FIVE (5) MINUTES TO CLEAR OUT ANY GAS. IF YOU SMELL GAS, INCLUDING NEAR THE FLOOR, **STOP!** FOLLOW "B" OF THE OPERATING INSTRUCTIONS. IF YOU DON'T SMELL GAS, GO TO THE NEXT STEP.
7. TURN MANUAL SHUTOFF VALVE COUNTER-CLOCKWISE  TO ON.
8. CLOSE THE GLASS DOOR.
9. TURN ON ALL ELECTRICAL POWER TO THE APPLIANCE.
10. TURN ON MAIN BURNER.

1. **ARRÊTEZ!** LISEZ TOUTES LES INSTRUCTIONS DE FONCTIONNEMENT ET D'ALLUMAGE AVANT DE CONTINUER.
2. COUPEZ L'ALIMENTATION ÉLECTRIQUE À L'APPAREIL.
3. CET APPAREIL EST MUNI D'UN DISPOSITIF D'ALLUMAGE QUI ALLUME LA VEILLEUSE AUTOMATIQUEMENT. N'ESSAYEZ PAS D'ALLUMER LA VEILLEUSE MANUELLEMENT.
4. OUVREZ LA PORTE VITRÉE.
5. TOURNÉZ LA SOUPAPE DE SECTIONNEMENT MANUELLE VERS LA DROITE  À « OFF ».
6. ATTENDEZ CINQ (5) MINUTES POUR QUE LE GAZ PUISSE S'ÉCHAPPER. SI VOUS DÉTECTEZ UNE ODEUR DE GAZ, **ARRÊTEZ!** SUIVEZ « B » DANS LES INSTRUCTIONS DE FONCTIONNEMENT. S'IL N'Y A PAS D'ODEUR DE GAZ, PASSEZ À L'ÉTAPE SUIVANTE.
7. TOURNÉZ LA SOUPAPE DE SECTIONNEMENT MANUELLE VERS LA GAUCHE  À « ON ».
8. FERMEZ LA PORTE VITRÉE.
9. RÉTABLISSEZ L'ALIMENTATION ÉLECTRIQUE AU FOYER.
10. ALLUMEZ LE BRÛLEUR PRINCIPAL.

**TO TURN OFF GAS / INSTRUCTIONS POUR COUPER LE GAZ**

1. TURN OFF ALL ELECTRICAL POWER TO THE APPLIANCE IF SERVICE IS TO BE PERFORMED.
2. TURN MANUAL SHUTOFF VALVE CLOCKWISE  TO OFF. DO NOT FORCE.
1. COUPEZ L'ALIMENTATION ÉLECTRIQUE AU FOYER SI UN TRAVAIL D'ENTRETIEN DOIT SE FAIRE.
2. TOURNÉZ LA SOUPAPE D'ARRÊT MANUELLE VERS LA DROITE  À « OFF ». NE FORCEZ PAS.

W385-0460 / E

## 9.0 réglages

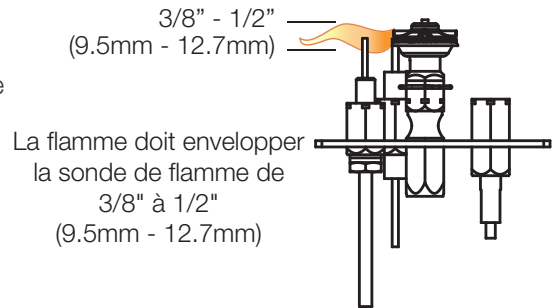
### 9.1 réglage de la veilleuse

Ajustez la vis de la veilleuse pour obtenir une flamme de taille normale. Tournez vers la droite pour réduire l'apport de gaz.

#### **Vérifiez la pression:**

Pour vérifier la pression d'arrivée, tournez la vis (A) vers la gauche deux à trois tours puis emboîtez le tube du manomètre sur la pointe d'essai. Le manomètre doit indiquer la pression comme décrit sur le diagramme ci-dessous. Vérifier la pression avec brûleur principal sur « HI ».

La vérification de la pression de sortie s'effectue comme ci-dessus en utilisant la vis (B). Le manomètre doit indiquer la pression comme décrit sur le diagramme ci-dessous. Vérifier la pression avec le brûleur principale sur « HI ».



**Après avoir pris la lecture des pressions, assurez-vous de tourner fermement les vis vers la droite pour sceller. Ne serrez pas trop fort.**

Vérifiez pour des fuites en appliquant une solution d'eau savonneuse.

Avant d'effectuer le réglage de la veilleuse, assurez-vous que l'assemblage de la veilleuse n'a pas été peint. S'il y a des traces de peinture ou de surpulvérisation, enlevez-les de l'assemblage de la veilleuse ou remplacez-le. Une toile d'émeri ou un tampon récurage (comme Scotch-Brite™) peut être utilisé pour enlever la peinture sur la hotte de la veilleuse, sur l'électrode et sur la capteur de flamme.

| Pression | Gaz Natural<br>(pouces) | Gaz Naturel<br>(millibars) | Propane<br>(pouces)  | Propane<br>(millibars)     |
|----------|-------------------------|----------------------------|----------------------|----------------------------|
| Arrivée  | *7"<br>(minimum 4,5")   | 17,4mb<br>(minimum 11,2mb) | 13"<br>(minimum 11") | 32,4mb<br>(minimum 27,4mb) |
| Sortie   | 3,5"                    | 8,7mb                      | 10"                  | 24,9mb                     |

\* Pression d'alimentation maximale ne devait pas dépasser 13"

## 9.2 réglage du venturi

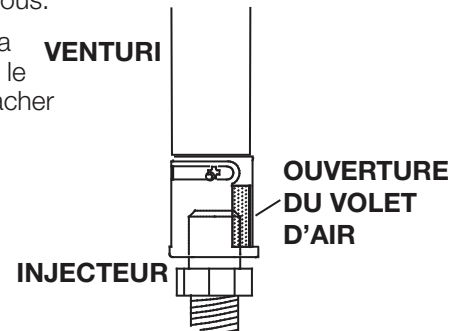
L'ouverture du volet d'air a été pré-réglée en usine selon le tableau ci-dessous:

Indépendamment de l'orientation du venturi, plus le volet est fermé, plus la flamme est jaune et aura tendance à causer des dépôts de carbone. Plus le volet est ouvert, plus la flamme est bleue et plus elle a tendance à se détacher des orifices du brûleur. La flamme peut ne pas être jaune immédiatement; allouez de 15 à 30 minutes pour que la couleur finale de la flamme se stabilise.

**LE RÉGLAGE DU VOLET D'AIR DOIT ÊTRE EXÉCUTÉ PAR UN TECHICIEN OU INSTALLATEUR QUALIFIÉ.**

#### **note:**

Il est important que l'injecteur soit correctement inséré dans le venturi.

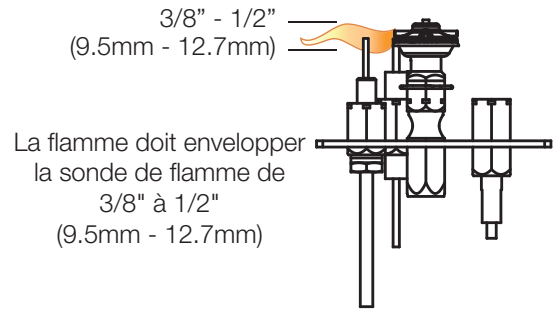
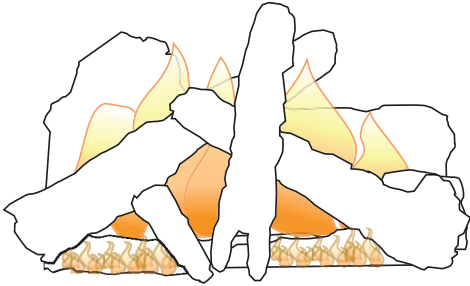


| TDS60-1 |               |
|---------|---------------|
| GN      | 3/8" (9,5mm)  |
| P       | 5/16" (7,9mm) |



### 9.3 caractéristiques de la flamme

Il est important d'effectuer périodiquement une inspection visuelle de la flamme de la veilleuse et du brûleur. Comparez-les à ces illustrations. Si des flammes paraissent anormales, contactez un technicien de service.



La flamme doit envelopper la sonde de flamme de 3/8" à 1/2" (9.5mm - 12.7mm)

### 9.4 étranglement des événements verticaux - modèle TDS60-1

Certaines configurations d'évacuation verticales peuvent avoir une flamme très active. Si cette apparence n'est pas désirée, la sortie du conduit d'évacuation doit être réduite en utilisant une plaque de restriction. Pour obtenir l'ensemble approprié, voir la section « **pièces de rechanges** » dans le manuel du propriétaire. Ceci diminuera la vitesse des gaz de combustion, ralentissant ainsi le mouvement de la flamme et créant une apparence plus traditionnelle. Les instructions sont incluses avec l'ensemble.

### AVERTISSEMENT

- Coupez l'alimentation en gaz et l'alimentation électrique avant de procéder à l'entretien de l'appareil.
- L'appareil peut être chaud. Attendez qu'il soit refroidi avant d'en faire l'entretien.
- N'utilisez pas de produits abrasifs.
- Ne peignez pas l'assemblage de la veilleuse.

Cet appareil et son système d'évacuation devraient être inspectés avant la première utilisation et au moins une fois l'an par un technicien de service qualifié. Les vérifications suggérées doivent être effectuées par un technicien qualifié. L'espace entourant l'appareil doit être gardé propre et libre de matériaux combustibles, d'essence ou d'autres liquides et vapeurs inflammables. Les apports d'air comburant et d'air de connexion ne doivent pas être obstrués.

#### note:

Attention: Lors de l'entretien des contrôles, assurez-vous d'identifier chacun des fils avant de les débrancher. Une réinstallation incorrecte des fils peut occasionner un mauvais fonctionnement et être dangereuse.

1. Pour nettoyer le brûleur principal et la veilleuse adéquatement, il faut retirer les bûches, les roches ou la vitre afin de dégager les deux ensembles.
2. Gardez le compartiment des contrôles, les composants décoratifs, le brûleur, le volet d'air et l'espace entourant les bûches propres en brossant ou en passant l'aspirateur au moins une fois l'an.
3. Assurez-vous que tous les orifices des brûleurs produisent des flammes. Nettoyez tous les orifices qui n'ont pas de flamme ou dont la flamme ne brûle pas adéquatement.
4. Assurez-vous que la flamme de la veilleuse est assez puissante pour envelopper la sonde de flamme et/ou le thermocouple/thermopile et qu'elle atteigne le brûleur.
5. Si votre appareil est fourni avec une écran de protection, le nettoyage peut être nécessaire en raison d'un excès de poussière / peluches des tapis, animaux, etc. utilisez un l'attachement du brosse sur aspirateur pour nettoyer l'écran.
6. Si votre appareil est fourni avec les détendeur de portes assurez-vous que le système fonctionne efficacement. Assurez que le joint d'étanchéité n'est pas usé ou endommagé. Remplacer si nécessaire.
7. Remettez en place les bûches, les roches ou la vitre nettoyées, si équipé. Omettre de positionner les composants décoratifs adéquatement peut causer des dépôts de carbone qui peuvent se déposer à l'intérieure de la chambre de combustion et sur les surfaces extérieures entourant d'évent.
8. Vérifiez si le brûleur principal allume sur tous les orifices lorsque le bouton de contrôle du gaz est à « ON ». Un temps d'allumage total de 5 à 10 secondes est satisfaisant. Si l'allumage prend plus de temps, consultez votre revendeur agréé ou du distributeur.
9. Inspectez visuellement l'appareil pour des dépôts de carbone. À l'aide d'une balayette ou d'une brosse, enlevez le carbone et aspirez-le avec un aspirateur ou mettez-le au rebut.
10. **Cette étape n'est pas pour les appareils d'événements libres:** Vérifiez que l'appareil correctement mise à l'évent. Vérifiez que le système de cheminée est sûr et accessible. (Si pour auqu'un raison le système d'air est démonter, installez et scellé conformément aux instructions d'installation fournies).

## 10.1 entretien annuel

### AVERTISSEMENT

- Le caisson devient très chaud lors du fonctionnement. Laissez l'appareil se refroidir complètement ou portez des gants antichaleur avant d'effectuer l'entretien.
- Ne jamais aspirer des braises qui sont chaudes.
- Ne peignez pas l'assemblage de la veilleuse.

- Cet appareil nécessite un entretien qui devra être effectué sur une base annuelle.
- L'entretien devrait inclure un nettoyage, le remplacement des piles, une inspection du système d'évent, du brûleur, des éléments décoratifs internes et de la chambre de combustion. Consultez la section pour l'enlèvement de la porte et retirez la porte comme indiqué. Consultez la section pour l'enlèvement de l'écran de protection et retirez la porte comme indiqué.
- Enlevez soigneusement les éléments décoratifs internes s'il y a lieu (bûches, braises de verre, panneaux de brique, etc.)
- À l'aide d'un aspirateur muni d'une brosse souple, aspirez les saletés, les débris et les dépôts de carbone sur les bûches, la chambre de combustion et le brûleur. Pour les braises de verre, suivez les instructions de prénettoyage.

#### note:

Vous devrez nettoyer le capteur de flamme à l'aide d'un morceau de laine d'acier ou un tampon récurage (Scotch-Brite<sup>MD</sup>) afin de retirer toute trace d'oxydation. Nettoyez l'assemblage du pilote à l'aide d'un aspirateur muni d'une brosse souple. Il est important de ne pas peindre l'assemblage de la veilleuse.

- Enlevez aussi tout dépôt se trouvant sur l'assemblage de la veilleuse et aussi, s'il y a lieu, sur la thermopile, le thermocouple, le capteur de flamme et l'allumeur.
- Inspectez tous les joints d'étanchéité accessibles et remplacez-les au besoin.
- Accédez à la soufflerie, s'il y a lieu, puis nettoyez à l'aide d'une brosse souple et d'un aspirateur.
- Réinstallez tous les composants dans l'ordre inverse.
- Inspectez le système de surpression. L'appareil dissipe la pression par la porte vitrée ou par les clapets sur le dessus du caisson. Assurez-vous qu'ils ouvrent sans restriction et qu'ils ferment de façon étanche. Si la vitre de la porte est fissuré, remplacer. Seulement utiliser le verre fourni par votre détaillant autorisé.
- Vérifiez si la soupape de gaz de la veilleuse et les boutons Hi / Lo bougent librement (s'il y a lieu) - remplacez si vous constatez de la rigidité dans le mouvement.
- Vérifiez tous les branchements du gaz pour des fuites de gaz, en amont et en aval de la soupape de gaz incluant les connexions du tube de la veilleuse.

## 10.2 soins de la vitre

### AVERTISSEMENT

- Nettoyer pas la vitre lorsqu'elle est chaude! N'employez pas de détergents abrasifs pour nettoyer la vitre.

Polissez légèrement à l'aide d'un linge propre et sec pour enlever la poussière et les traces de doigts. Nettoyez les deux côtés de la vitre avec un nettoyant sans ammoniaque après les dix premières heures de fonctionnement.

#### note:

Les nettoyants à base de vinaigre procurent habituellement une surface propre et sans traces.

Par la suite, nettoyez aussi souvent qu'il le faudra, sinon la vitre risque de rester marquée en permanence.

Ne touchez pas la surface intérieure ou extérieure de la vitre avec des lames de rasoir, de la laine d'acier ou d'autres objets métalliques puisque la mince couche de métal retirée de l'objet pourrait se déposer sur le revêtement causant une décoloration ou une égratignure. Plus important encore, cela peut rayer la surface du verre réduisant ainsi sa puissance.

Ne pas faire fonctionner l'appareil avec la vitre brisée, les fuites de gaz de combustion peut résulter.

Contactez votre détaillant local autorisé pour les instructions de nettoyage complètes.

Si la vitre devait fissurer pendant que le feu brûle, n'ouvrez pas la porte jusqu'à ce que le feu s'éteigne et n'utilisez pas l'appareil jusqu'à ce que la vitre ait été remplacée par une nouvelle, disponible chez votre détaillant autorisé. **N'UTILISEZ PAS DE MATÉRIAUX SUBSTITUÉS.**

L'appareil est muni d'une 5mm en verre céramique. Remplacez uniquement avec une pièce pour le foyer disponible chez votre détaillant autorisé. **N'UTILISEZ PAS DE MATÉRIAUX SUBSTITUÉS.**

## 11.0 pièces de rechange

FR

### **AVERTISSEMENT**

- Omettre de positionner les pièces conformément à ce manuel ou d'utiliser uniquement des pièces spécifiquement approuvées pour cet appareil peut causer des dommages matériels ou des blessures corporelles.

Contactez votre détaillant pour les questions concernant les prix et la disponibilité des pièces de remplacement. Normalement, toutes les pièces peuvent être commandées chez votre détaillant autorisé.

**Pour un remplacement de pièce sous garantie, une photocopie de la facture originale sera requise afin de pouvoir honorer la demande.**

Lorsque vous commandez des pièces, donnez toujours l'information suivante:

- Modèle et numéro de série de l'appareil
- Date d'installation de l'appareil
- Numéro de la pièce
- Description de la pièce
- Fini

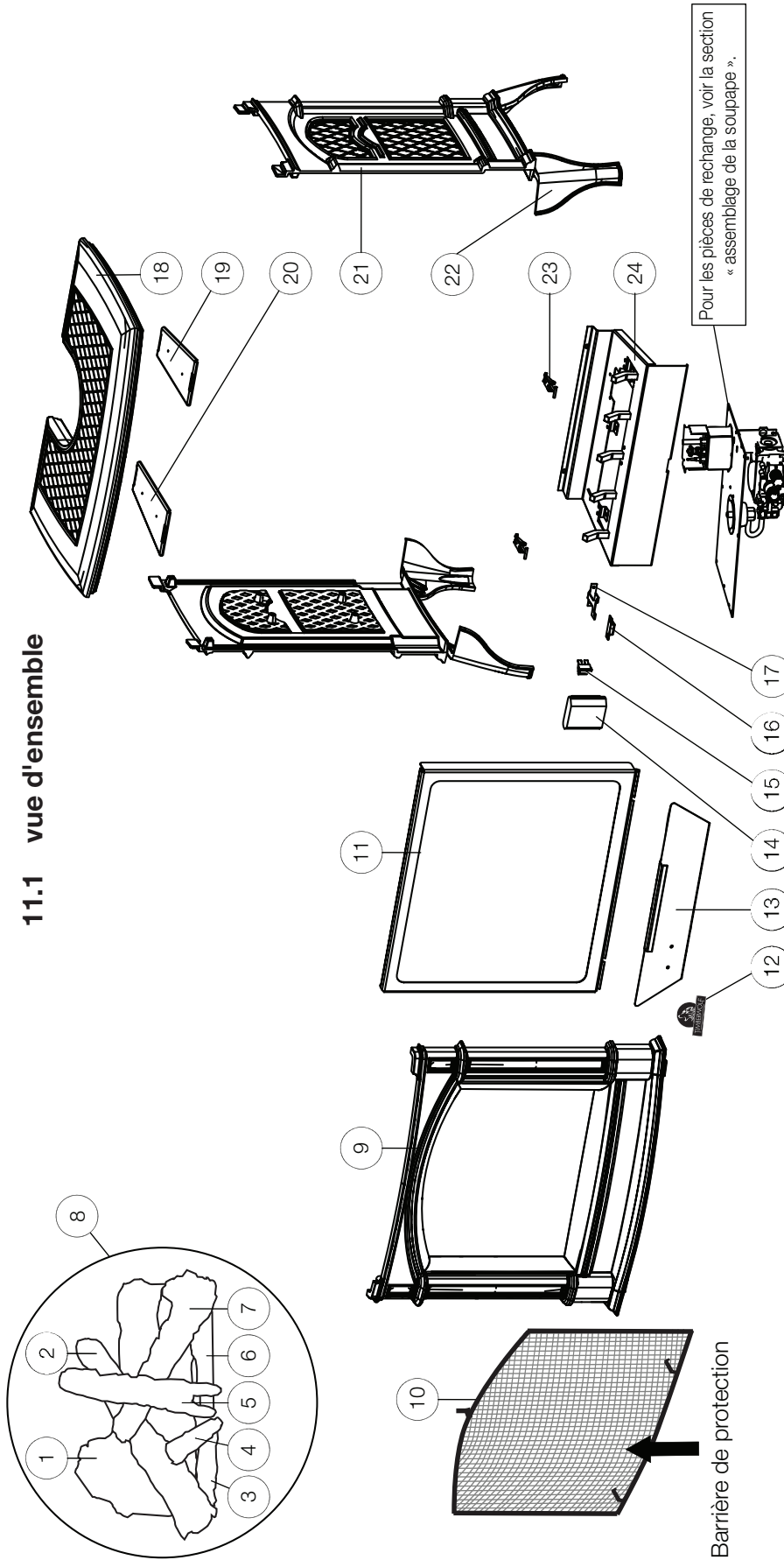
**Pièces, numéro des pièces et s'il soit disponible peut changer sans préavis.**

**Parties identifiées comme garnie seront livrés dans 2 à 5 jours pour la plupart des destinations de livraison.**

**Pièces non identifiées que stockés seront livrés dans un délai de 2 à 4 semaines pour la plupart des cas.**

**Pièces identifiées comme « SO » sont commande spéciale et peuvent prendre jusqu'à 90 jours pour la livraison.**

11.1 vue d'ensemble

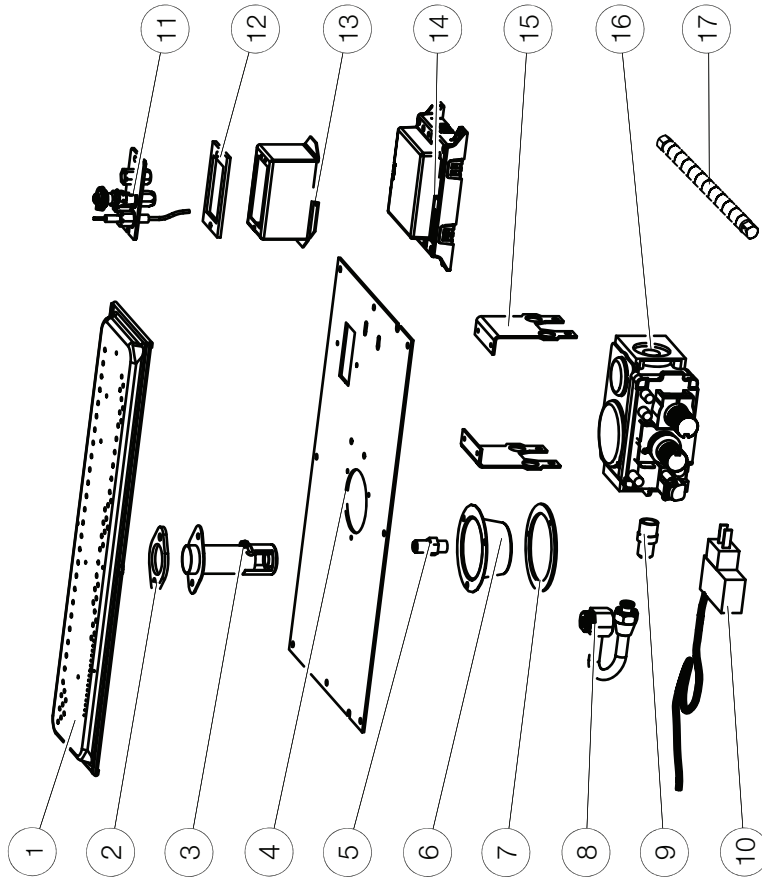


Ces articles peut différer de celle illustré.

| Réf. | No. de pièce | Description                               | En stock |
|------|--------------|---|----------|
| 14   | W350-0342    | Boîtier de piles                          | Oui      |
| 15   | W660-0009    | Commutateur « On / Off »                  | Oui      |
| 16   | W430-0013    | Loquet de porte aimanté                   |          |
| 17   | W090-1009    | Support d'aimant                          | Oui      |
| 18   | W135-0802    | Dessus en fonte (noir métallique)         | Oui      |
| 18   | W135-0802N   | Dessus en fonte (brun majolique)          | Oui      |
| 19   | W010-1596    | Assemblage de détendeur de porte (droite) |          |
| 20   | W010-1607    | Assemblage de détendeur de porte (gauche) |          |
| 21   | W135-0804    | Côté en fonte (X2) (noir métallique)      | Oui      |
| 21   | W135-0804N   | Côté en fonte (X2) (brun majolique)       | Oui      |
| 22   | W135-0805    | Pied en fonte (noir métallique)           | Oui      |
| 22   | W135-0805N   | Pied en fonte (brun majolique)            | Oui      |
| 23   | W590-0001    | Loquet de porte (X2)                      |          |
| 24   | W010-3074    | Assemblage du support des bûches          |          |

| Réf. | No. de pièce     | Description   | En stock |
|------|------------------|---|----------|
| 1    | W135-0209        | Bûche arrière (GL-646)                                    | Oui      |
| 2    | W135-0210        | Bûche croisé gauche (GL-646)                              | Oui      |
| 3    | W135-0082        | Bûche de charbon gauche (GL-646)                          | Oui      |
| 4    | W135-0211        | Bûche droite petite (GL-646)                              | Oui      |
| 5    | W135-0212        | Bûche croisé centrale (GL-646)                            | Oui      |
| 6    | W135-0182        | Bûche de charbon droite (GL-646)                          | Oui      |
| 7    | W135-0213        | Bûche croisé droite (GL-646)                              | Oui      |
| 8    | GL-646           | Ensemble de bûches  |          |
| 9    | W135-0803        | Façade en fonte (noir métallique)                         |          |
| 9    | W135-0803N       | Façade en fonte (brun majolique)                          |          |
| 10   | W010-3296        | Barrière de protection                                    |          |
| 11   | W010-2112        | Assemblage de la porte (avec vitre et joint d'étanchéité) | Oui      |
| 12   | <b>W385-0487</b> | <b>Logo Timberwolf</b>                                    |          |
| 13   | W010-2114        | Assemblage du panneau de contrôle                         | Oui      |

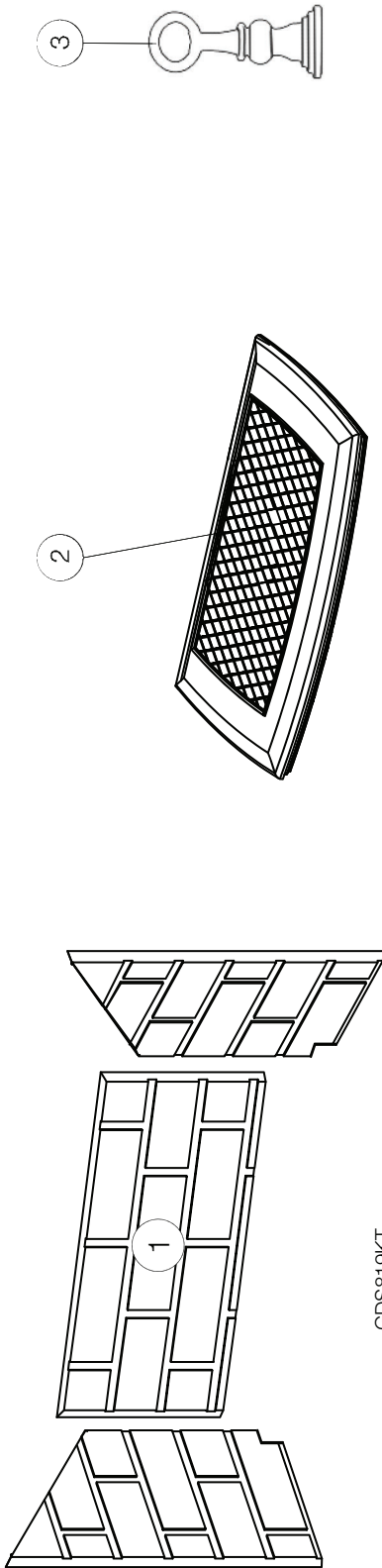
## 11.2 assemblage de la soupape



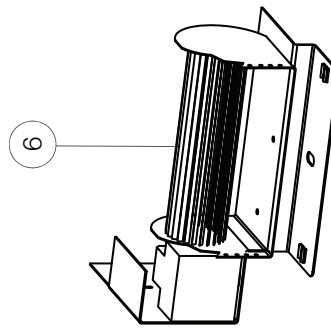
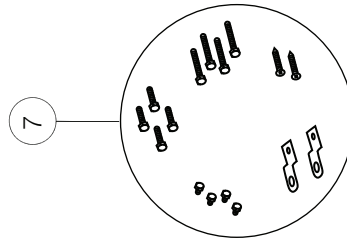
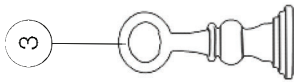
Ces articles peut différer de celle illustré

| Réf. | No. de pièce | Description                              | En stock |
|------|--------------|--|----------|
| 1    | W100-0071    | Assemblage du brûleur                    |          |
| 2    | W290-0018    | Boîtier du venturi                       | Oui      |
| 3    | W720-0069    | Venturi                                  |          |
| 4    | W035-0289    | Base du brûleur                          | Oui      |
| 5    | W456-0035    | Injecteur de veilleuse #35               | Oui      |
| 6    | W350-0417    | Boîtier du venturi                       |          |
| 7    | W290-0127    | Joint d'étanchéité du boîtier du venturi | Oui      |
| 8    | W432-0062    | Collecteur 3/8"                          | Oui      |
| 9    | W445-0038    | Connecteur 3/8"                          | Oui      |
| 10   | W707-0010    | Transformateur                           | Oui      |

| Réf. | No. de pièce | Description                     | En stock |
|------|--------------|---------------------------------|----------|
| 11   | W010-2763    | Assemblage de veilleuse         | Oui      |
| 12   | W290-0029    | Joint d'étanchéité du veilleuse | Oui      |
| 13   | W350-0227    | Boîtier de veilleuse            |          |
| 14   | W190-0175    | Panneau de contrôle             | Oui      |
| 15   | W080-1004    | Support de la soupape (X2)      | Oui      |
| 16   | W725-0062    | Soupape de gaz                  | Oui      |
| 17   | W175-0227    | Raccord flexible                | Oui      |
| 18*  | W175-0318    | Trousse de conversion (GN-P)    | Oui      |
| 19*  | W175-0319    | Trousse de conversion (P-GN)    | Oui      |



GDS819KT



Ces articles peut différer de celle illustré

| Réf. | No. de pièce | Description  | En stock |
|------|--------------|--|----------|
| 1    | GDS819KT     | Panneaux décoratifs simili-briques en fini pierre de sable |          |
| 2    | GS831K       | Trivet (noir)  |          |
| 3    | ANI-K        | Contour en fonte (X2)                                      |          |
| 4    | W660-0081    | Thermostat mural   |          |
|      |              |  |          |
| Réf. | No. de pièce | Description  | En stock |
| 5    | F45 / F60    | Télécommande manuelle                                      |          |
| 6    | GS-64KT      | Soufflerie   |          |
| 7    | GDSLL-KT     | Trousse pour mise de niveau / fixation de l'appareil       |          |

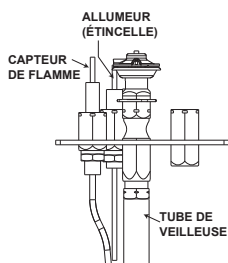
# 13.0 guide de dépannage

FR

## ! AVERTISSEMENT

- Allumez toujours la veilleuse, que ce soit pour la première fois ou lorsque l’approvisionnement en gaz est épuisé, avec la porte vitrée ouverte ou retirée.
- Coupez l’alimentation en gaz et l’alimentation électrique avant de procéder à l’entretien de l’appareil.
- L’appareil peut être chaud. N’effectuez aucun entretien jusqu’à ce que l’appareil soit refroidi.
- N’utilisez pas de nettoyeurs abrasifs

| symptôme  | problème  | solution   |
|---|---|--|
| La veilleuse ne s’allume pas.   | Filage.   | - Vérifiez si le fil « S » pour la sonde et le fil « I » pour l’allumeur sont raccordés aux bonnes bornes (non inversées) sur le module d’allumage et l’assemblage de la veilleuse.  |
| Il y a du bruit; mais aucune étincelle au brûleur de la veilleuse, Une pellicule blanche ou grise se forme.                     | Connexion desserrée.  | - Vérifiez qu’il n’y ait pas de connexions desserrées, de courts-circuits dans le fillage ou des contacts avec des objets métalliques.   |
|   | Module d’allumage.  | - Mettez l’interrupteur MARCHE / ARRÊT à « OFF ». Retirez le fil d’allumage « I » du module. Mettez l’interrupteur MARCHE / ARRÊT à « ON ». Tenez un fil mis à la terre à environ 3/16" (4,8mm) de la borne « I » sur le module. S’il n’y a pas d’étincelle, la borne « I » fonctionne bien. Inspectez l’assemblage de la veilleuse pour un fil causant un court-circuit ou un isolateur craque autour de l’électrode.   |
|   | La longueur de l’étincelle est incorrecte.  | - La longueur de l’étincelle de l’allumeur à la veilleuse devrait être 0,17" ou 1/8" (3,2mm).  |
|   | Transformateur.   | - Vérifiez si le transformateur est installé et branché dans le module. Vérifiez le voltage du transformateur sous tension aux connexions sur le module avec l’interrupteur MARCHE / ARRÊT à « ON ». Les lectures acceptables d’un bon transformateur se situent entre 3,2 et 2,8 volts C.A.   |
|   | Système de dépannage à piles (s’il y a panne de courant)  | - Vérifiez les piles.  |
| Une connexion desserrée ou causant un court-circuit.  | - Retirez et réinstallez le harnais de fils qui se branche dans le module. Retirez et vérifiez la continuité de chaque fil dans le harnais de fils.               |  |
| Filage de l’interrupteur inapproprié.   | - Réparez le système avec un simple interrupteur MARCHE / ARRÊT.  |  |
| Le module n’est pas mis à la terre.   | - Vérifiez si les assemblages de la veilleuse et de la soupape sont bien mis à la terre au niveau de châssis métallique de l’appareil ou de l’ensemble de bûches. |  |
| Étincelle à la veilleuse, mais celle-ci ne s’allume pas.  | Alimentation en gaz.  | - Vérifiez si la soupape à bille de la conduite d’arrivée du gaz est « Ouverte ». Vérifiez si la pression d’arrivée est dans les limites acceptables. La pression d’arrivée ne doit pas excéder 14" de colonne d’eau (34,9mb).   |
|   | Plus de propane.  | - Remplissez le réservoir.   |
| Du carbone se dépose sur la vitre, les bûches, les roches, les composants décoratifs ou les parois de la chambre de combustion. | Le volet d’air est bloqué.  | - Assurez-vous que l’ouverture du volet d’air n’est pas bloquée par des fibres ou autres obstructions.   |
|   | Les flammes effleurent la vitre, les bûches, les roches, les composants décoratifs ou la chambre de combustion.   | - Vérifiez si la vitre, les bûches, les roches ou les composants décoratifs sont positionnés correctement.<br>- Augmentez l’ouverture du volet d’air pour augmenter le volume d’air primaire.<br>- Vérifiez le débit d’alimentation: vérifiez que la pression du collecteur et la grandeur de l’injecteur sont telles que spécifiées sur la plaque d’homologation.<br>- Vérifiez si les joints de la porte ne sont pas brisés ou manquants et qu’ils sont étanches.<br>- Vérifiez que les deux conduits d’évent ne sont pas troués et qu’ils sont bien scellés à tous les joints.<br>- Vérifiez si l’élévation minimale par pied est conforme pour toute évacuation horizontale. |





| symptôme  | problème  | solution   |
|---|---|--|
| Continue de produire des étincelles et la veilleuse s'allume, mais le brûleur principal ne s'allume pas.                | Court circuit du connexion desserrée dans la tige de la sonde.                    | - Vérifiez toutes les connexions. Vérifiez les connexions de l'assemblage de la veilleuse sont serrées, vérifiez aussi si ces connexions ne causent pas de mise à la terre au niveau du métal.   |
|   | Mauvais redressement du courant de la flamme du tige de sonde contaminée.         | - Vérifiez si la flamme enveloppe la tige de la sonde. Ceci augmentera le redressement de courant de la flamme. Vérifiez si le bon injecteur de veilleuse est installé et que l'alimentation en gaz est conforme aux spécifications du manuel. (souvenez-vous que la flamme transporte le courant redresseur et non le gaz. Si la flamme se détache de la hotte, le circuit est rompu. Un mauvais injecteur ou une pression d'arrivée trop élevée peut causer la flamme de la veilleuse à se détacher). La tige de la sonde a possiblement besoin d'être nettoyée. |
|   | Mauvaise mise à la terre entre l'assemblage de la veilleuse et la soupape de gaz. | - Vérifiez si le harnais de fils est solidement branché au module. Vérifiez si l'isolateur de céramique autour de la sonde est craqué, endommagé ou desserré. Vérifiez la connexion de la tige de la sonde au fil de la sonde.   |
|   | Veilleuse endommagée ou tige de sonde salie.                                      | - Nettoyez la tige de la sonde avec une toile d'émeri afin d'enlever toute contamination qui ait pu s'accumuler sur la tige de la sonde. Vérifiez la continuité avec un multimètre réglé sur Ohms au calibre le plus bas.  |
| La veilleuse s'allume. Arrête de produire des étincelles / la veilleuse reste allumée, mais le brûleur ne s'allume pas. | Filage / connexion  | - Inspectez tous les fils, assurez-vous que les connexions sont bien serrées. Vérifiez si tout le filage est installé exactement tel que spécifié.   |
|   | Harnais de fils.  | - Inspectez le harnais de fils et vérifiez qu'il soit solidement branché au module. Vérifiez que tous les fils sont branchés dans le bon order. Voir la section « schéma de câblage ».   |
| On détecte l'odeur des gaz de combustion dans la pièce; maux de tête.   | L'appareil refoule les gaz de combustion dans la pièce.                           | - Vérifiez tous les joints scellés.<br>- Vérifiez si l'odeur de gaz n'entre pas par une porte ou une fenêtre ouverte.  |

# 14.0 garantie

FR

Les produits Timberwolf® sont fabriqués conformément aux normes strictes du Système de Gestion de la Qualité mondialement reconnu ISO 9001 : 2015.

Les produits Timberwolf® sont conçus avec des composants et des matériaux de qualité supérieure, assemblés par des artisans qualifiés qui sont fiers de leur travail. Le brûleur et le montage de la soupape subissent un test de détection de fuite et d'allumage à une station de test de qualité. Une fois assemblé, chaque foyer est soigneusement inspecté par un technicien qualifié avant d'être emballé pour garantir que vous, le client, recevez le produit de qualité dont vous attendez de Timberwolf®.

## Garantie Limitée des Appareils au Gaz Timberwolf®

Les matériaux suivants et la fabrication de votre nouveau foyer au gaz Timberwolf® sont garantis contre les défauts une période de 5 ans, ceci couvre: la chambre de combustion, l'échangeur de chaleur, le brûleur en acier / inoxydable, les bûches Phazer™ et les braises, les roches, la vitre en céramique (cassure thermique seulement), les pièces plaquées or contre le ternissement, les composants en porcelaine émaillée et les moulures d'extrusion en aluminium.\*

Les composants électriques (110V et millivolt) et les pièces soumises à l'usure sont couverts et Timberwolf® fournira gratuitement les pièces de rechange durant la première année de la garantie limitée. Ceci couvre: la soufflerie, les soupapes de gaz, l'interrupteur thermique, les interrupteurs, l'installation électrique, les télécommandes, l'allumeur, les joints d'étanchéité et l'assemblage de la veilleuse.\*

Les coûts de main-d'oeuvre relatifs aux réparations garanties ne sont pas couverts.

\* La fabrication de chaque modèle varie. La garantie s'applique uniquement aux composants disponibles avec votre appareil.

## Conditions et Limitations

Timberwolf® garantit ses produits contre les défauts de fabrication à l'acheteur d'origine seulement. L'enregistrement de la garantie n'est pas nécessaire. Fournissez simplement une preuve d'achat ainsi que le modèle et le numéro de série afin d'effectuer une réclamation de garantie. Timberwolf® se réserve le droit de demander à son représentant d'inspecter tous produits ou pièces avant d'honorer toute réclamation. L'achat doit avoir été fait par l'entremise d'un détaillant Timberwolf® autorisé et sous réserve des conditions et limitations suivantes :

La couverture de la garantie débute à partir de la date d'installation originale.

Cette garantie du fabricant n'est pas transférable et ne peut être prolongée par aucun de nos représentants.

L'appareil au gaz doit être installé par un installateur ou entrepreneur qualifié. L'installation doit être faite conformément aux instructions d'installation incluses avec le produit et à tous les codes d'incendie et de construction locaux et nationaux.

Cette garantie limitée ne couvre pas les dommages causés par un mauvais usage, un manque d'entretien, un accident, des altérations, des abus ou de la négligence et l'installation de pièces d'autres fabricants annulera cette garantie.

Cette garantie limitée ne couvre pas non plus les égratignures, les bossellements, la corrosion ou la décoloration causés par une chaleur excessive, des produits d'entretien chimiques et abrasifs ou l'écaillage des pièces en porcelaine émaillée, le bris par manipulation des bûches Phazer™ et des braises.

Au cours de la première année seulement, cette garantie s'applique à la réparation ou au remplacement des pièces garanties dont les matériaux ou la fabrication sont défectueux à la condition que le produit ait été utilisé conformément aux instructions de fonctionnement et dans des conditions normales.

Après la première année, concernant cette Garantie Limitée, Timberwolf® peut, à sa discrétion, se libérer entièrement de toutes obligations en ce qui concerne cette garantie en remboursant à l'acheteur d'origine le prix de gros de toute pièce garantie qui est défectueuse.

Timberwolf® ne sera pas responsable de l'installation, de la main-d'oeuvre ou autres dépenses relatives à la réinstallation d'une pièce garantie et de telles dépenses ne sont pas couvertes par cette garantie.

Nonobstant toutes les dispositions contenues dans cette Garantie Limitée, la responsabilité de Timberwolf® sous cette garantie est définie comme ci-dessus et elle ne s'appliquera à aucun dommage accidentel, consécutif ou indirect.

Cette garantie définit l'obligation et la responsabilité de Timberwolf® en ce qui concerne le foyer au gaz Timberwolf®. Toute autre garantie énoncée ou implicite en ce qui concerne ce produit, ses composants ou accessoires est exclue.

Timberwolf® n'endosse ni n'autorise aucun tiers à assumer en son nom, toute autre responsabilité concernant la vente de ce produit. Timberwolf® ne sera pas responsable d'une surchauffe, des refoulements, des déversements causés par des conditions environnementales telles que des toits, des bâtiments, la proximité d'arbres, de collines, de montagnes, de ventilations ou des événements inadéquats, une configuration d'évacuation excessive, un apport d'air insuffisant ou des pressions négatives qui peuvent ou non être causés par des systèmes mécaniques tels que les ventilateurs d'évacuation, les fournaies, les sècheuses de linge, etc.

Tous dommages causés à l'appareil, à la chambre de combustion, à l'échangeur de chaleur, aux garnitures de laiton ou autres composants par l'eau, les dommages causés par les intempéries, de longues périodes d'humidité, la condensation, des produits chimiques ou produits d'entretien nuisibles ne seront pas la responsabilité de Timberwolf®.

Toutes les pièces remplacées en vertu de la politique de Garantie Limitée ne peuvent faire l'objet que d'une seule réclamation.

Toutes les pièces remplacées au titre de la garantie seront couvertes pour une période de 90 jours à partir de leur date d'installation.

Le fabricant peut exiger que les pièces défectueuses ou les produits soient retournés ou que des photos numériques soient fournies pour valider la réclamation. Les produits retournés doivent être expédiés port payé au fabricant pour une inspection en usine. Si un produit est déclaré défectueux, le fabricant le réparera ou le remplacera.

Avant d'expédier votre appareil ou les pièces défectueuses, votre détaillant doit obtenir un numéro d'autorisation. Toute marchandise expédiée à notre usine sans autorisation sera refusée et retournée à l'expéditeur.

Les coûts d'expédition ne sont pas couverts par cette garantie.

Des frais de service supplémentaires peuvent être appliqués si vous cherchez à obtenir des services au titre de la garantie auprès d'un détaillant.

Les frais de déplacement pour main-d'oeuvre, de tests de diagnostic, d'expédition et autres frais afférents ne sont pas couverts par cette garantie.

Toutes les spécifications et les conceptions sont sujettes à modifications sans préavis en raison des améliorations constantes apportées aux produits.

Timberwolf® est une marque de commerce déposée de Wolf Steel Ltée.





**TIMBERWOLF**

Produits et distribués par:

**WOLF STEEL** LTD.

24 Napoleon Road, Barrie, Ontario, Canada L4M 0G8  
Tél: 1-866-820-8686

[timberwolffireplaces.com](http://timberwolffireplaces.com)