



Introducing 2013 Vermont Castings Grills

FINEST QUALITY **GRILLS.**  
FINEST QUALITY **CRAFTSMANSHIP.**



# MAKE A STATEMENT WITH PREMIUM DESIGN

When you fire up a Vermont Castings grill, you're getting more than just power. You're getting a premium product — designed and made in the USA — that delivers precise results and makes every outdoor meal an event. From the latest convenience features to stunning style, our full line of grills has it all. No matter what you're grilling, you'll make a statement when you cook with a beautiful Vermont Castings grill.

★  
**PROUDLY MADE IN THE USA**



# DESIGNED FOR PRECISION COOKING

Enjoy more consistent temperatures and even heat distribution, locking in flavors and juices for amazing results.

---



## MORE EVEN COOKING

As experts in the field of cast iron, Vermont Castings delivers the finest quality **CAST IRON, PORCELAIN-COATED GRATES**. Cast iron helps to redistribute heat to create more even cooking, consistent temperatures and restaurant-style sear marks for beautiful presentation. They're rounded on one side for cooking juicy foods, like burgers and steaks, and flat on the other side to easily remove tender foods like seafood. Plus, the reversible grates are durable and easy to clean.



## CONVECTION-STYLE COOKING

The **EXCLUSIVE CAST IRON END CAPS** and **EXTRA DEEP FIREBOX** help maintain heat to lock in flavors and juices while keeping food amazingly moist. The smooth surface simplifies cleanup.



## PREVENT FLARE-UPS

For healthy cooking, the **STAINLESS STEEL SEAR PLATES** are designed to redirect grease and juices away from the flames — distributing heat evenly across the entire cooking surface for optimal temperature control.

# CRAFTED FOR CONVENIENCE AND LASTING PERFORMANCE

## PRECISION CONTROL, YEAR ROUND

The ideal rate of power for the most even grilling is between 95 and 110 BTUs per square inch. Most of our grills fall near this range, with the 523 Series delivering an optimal 104 BTUs of power per square inch. So year round, our grills will heat up faster and give you more control over doneness levels. You'll be able to cook that medium rare steak to perfection, even in colder climates.



## SAFE AND EASY IGNITION

Available on all our grills, the **EasyFlame Ignition System** uses a single source to ignite every burner, ensuring that each one lights safely and consistently, avoiding ignition flare-ups. Unlike most other grills, you can light any burner the first time for ultimate convenience.

## TOP-GRADE STAINLESS STEEL CONSTRUCTION

Made with superior quality **300 Series True Stainless Steel**, our grills resist rust better than grills made with lower grades of stainless steel. Plus, they offer a sleek, modern look.

## QUALITY THAT LASTS

From the exterior cabinet to the interior grates — down to the accessories — Vermont Castings grills are crafted with quality that stands the test of time and are covered by warranties for peace of mind.

### PARTS WARRANTIES

Cabinet	25 Years
Main Burner	10 Years
Cooking Grates	10 Years
Warming Rack	5 Years
Rotisserie Kit	2 Years
Rotisserie Burner	2 Years
Light	2 Years

#### CAUTION:

- Read lighting instructions on door below
- Accessible surfaces may become hot
- Turn tank off when not in use
- Do not operate rotisserie burner while main burners are on

\*Based on approximately 4" diameter patties.



## THE POWER TO COOK A GREATER VARIETY OF FOODS

Our grills offer the powerful performance of a BTU range of up to 102,500 with the ability to use four different cooking methods: searing, baking, turning (rotisserie) and smoking. That way, you can achieve the results you want for any kind of food, from seared sirloin to tenderly grilled vegetables.

## ENOUGH ROOM TO GRILL 36 BURGERS AT ONCE\*

With up to a total of 990 square inches of cooking space on the 523 Series, you can fit more at once on this grill! Plus, with that much room, you can sear steaks on one side of the grill while grilling vegetables at low temps on the other side. Perfect for family gatherings or parties!

## MANY WAYS TO GRILL

**SEAR IT** — For steaks, meats or vegetables, the direct grilling method is ideal. The sear plates on Vermont Castings grills are specially designed to prevent flare-ups.

**BAKE IT** — For results similar to baking, use the indirect cooking method, lighting one side of the grill while placing food on the other side. The exclusive cast iron end caps help maintain the heat for optimal results.

**TURN IT** — Seal in juices and flavor with rotisserie cooking. Our infrared rotisserie burner offers slow roasting for convenient, hands-free cooking of roasts, turkey and more.

**SMOKE IT** — For that unforgettable smoky flavor, use our smoker box and the indirect cooking method to add flavor to fish, steak, ribs, chicken and more!






# 523

## SIGNATURE SERIES

With features you won't find on competitively priced models, this five-burner grill offers the best combination of style, power and value. You'll have the versatility to cook everything with restaurant-style performance. Also available as a built-in model, you can customize the look to your own personal taste. Family and friends will love gathering around this stunning addition to your outdoor décor.



**523 Series Built-In**  
Shown with optional French doors

### Featuring:

- 5 Burners
- Up to 102,500 BTUs
- 990 sq. in. Total Cooking Area
- 104 BTUs per sq. in.
- Rotisserie Burner and Kit
- Titanium Stabilized Stainless Steel Sear Plates
- 300 Series True Stainless Steel Construction, including Firebox
- 15,000 BTU Side Searing Burner
- Grill Light
- Condiment Shelves, Side Shelves and Towel Bars (freestanding model only)
- Pull-Out Tray for Propane Tank

# 423

## **SIGNATURE SERIES**

Four burners and a total of 84,000 BTUs deliver power that caters to your every need, whether you're serving up burgers for a crowd or a nice steak dinner for two. Plus, convenience features like the LED flex light and included rotisserie kit make it easy to cook anything on the grill, day or night.

### **Featuring:**

- 4 Burners
- Up to 84,000 BTUs
- 753 sq. in. Total Cooking Area
- 110 BTUs per sq. in.
- Rotisserie Burner and Kit
- Titanium Stabilized Stainless Steel Sear Plates
- 300 Series True Stainless Steel Construction
- 15,000 BTU Side Searing Burner
- Grill Light
- Condiment Shelves, Side Shelves and Towel Bar
- Pull-Out Tray for Propane Tank









**Rated #1**  
by a leading  
consumer  
magazine\*

# 323

## SIGNATURE SERIES


Our three-burner model offers the convenience of our EasyFlame Ignition, LED controls and powerful performance. Plus, the 323 Series provides True Stainless Steel construction and convenient side shelves. And, for an extra infusion of style, it's available as a built-in model so you can customize the look to your own personal taste!



**323 Series Built-In**  
Shown with optional French doors

### Featuring:

- 3 Burners
- Up to 70,500 BTUs
- 673 sq. in. Total Cooking Area
- 92 BTUs per sq. in.
- Rotisserie Burner and Kit
- Titanium Stabilized Stainless Steel Sear Plates
- 300 Series True Stainless Steel Construction
- 15,000 BTU Side Burner
- Grill Light



\*Based on 2012 mid-size grill category, 300 Series.

# 323

## TRIBUTE SERIES

The new three-burner Tribute Series grill offers all of the great power and style of the Signature Series in a simpler, more compact design. The EasyFlame Ignition ensures a quick and easy light on the first try every time. Plus, the premium cast iron and stainless steel craftsmanship give it the great performance and style you expect from Vermont Castings.

### Featuring:

- 3 Burners
- Up to 39,000 BTUs
- 629 sq. in. Total Cooking Area
- 89 BTUs per sq. in.
- Titanium Stabilized Stainless Steel Sear Plates
- Stainless Steel Construction
- Porcelain-Coated Wire Warming Rack
- Stainless Steel Drop-Down Side Shelves









# 223

## TRIBUTE SERIES

Meet our all-new two-burner Tribute Series grill. Now great cooking power and performance comes in a small, compact size. With the same great features as some of our bigger models, including EasyFlame Ignition and premium stainless steel construction, it's perfect as a second grill option for quick meals and added cooking space or a great choice for a small patio or vacation house.

### **Featuring:**

- 2 Burners
- Up to 26,000 BTUs
- 502 sq. in. Total Cooking Area
- 74 BTUs per sq. in.
- Titanium Stabilized Stainless Steel Sear Plates
- Stainless Steel Construction
- Porcelain-Coated Wire Warming Rack
- Drop-Down Side Shelves

# CHOOSE THE PERFECT GRILL FOR YOU!

## TRIBUTE SERIES



**BOLD** text indicates feature upgrade.

### MODEL

**VCT223**

**VCT323**

### Colors

Stainless Steel

Stainless Steel

### PERFORMANCE

<b>EasyFlame Ignition System</b>	Yes	Yes
<b>Main Burners</b>	2 (300 True Stainless Steel)	<b>3 (300 True Stainless Steel)</b>
<b>Main BTUs</b>	26,000	<b>39,000</b>
<b>Rotisserie Burner</b>	—	—
<b>Side Burner/Sear Burner</b>	—	—
<b>Total BTUs</b>	26,000	<b>39,000</b>
<b>Total Cooking Area</b>	502 sq. in.	<b>629 sq. in.</b>
<b>BTUs per Sq. In.</b>	74	<b>89</b>

### QUALITY AND STYLE

<b>Stainless Steel Construction</b>	Stainless Steel	Stainless Steel
<b>Porcelain-Coated Cast Iron Grates</b>	Yes	Yes
<b>Titanium Stabilized Stainless Steel Sear Plates</b>	Yes	Yes
<b>Firebox Construction</b>	Stainless Steel	Stainless Steel

### CONVENIENCE

<b>Rotisserie Kit</b>	—	<b>Optional</b>
<b>Grill Light</b>	—	—
<b>Towel Bars</b>	—	—
<b>Condiment Shelves</b>	—	—
<b>Side Shelves</b>	Yes, Drop-Down (Stainless Steel)	Yes, Drop-Down (Stainless Steel)
<b>Front Doors</b>	Cart with Door (Stainless Steel)	Cart with Door (Stainless Steel)
<b>Smoker Box</b>	Optional	Optional
<b>Tool Kit</b>	Optional	Optional
<b>Cover</b>	Optional	Optional
<b>Pull-Out Propane Tank Tray</b>	—	—



**SIGNATURE SERIES**



**Rated #1**  
by a leading  
consumer  
magazine\*

**VCS323**

**VCS423**

**VCS523**

Stainless Steel

Stainless Steel

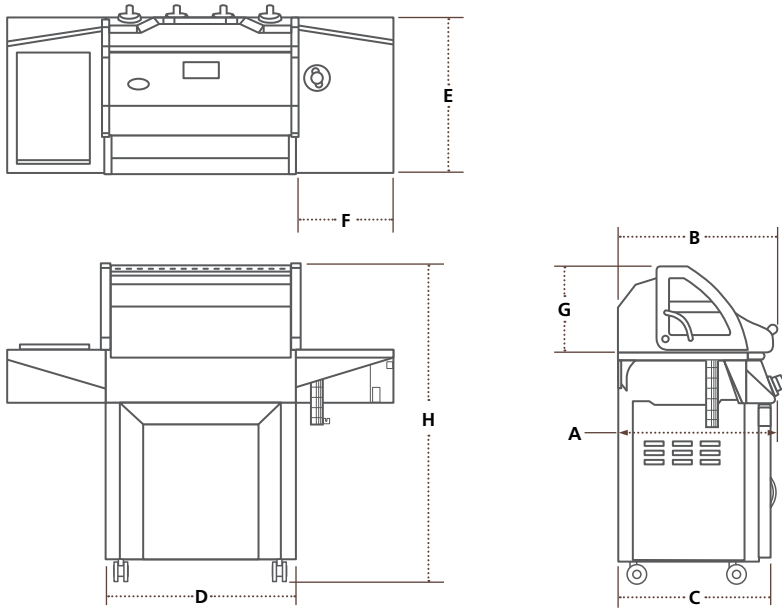
Stainless Steel

Yes	Yes	Yes
3 (300 True Stainless Steel)	<b>4 (300 True Stainless Steel)</b>	<b>5 (300 True Stainless Steel)</b>
<b>40,500 (built-in model 37,500)</b>	<b>54,000</b>	<b>67,500 (built-in model 62,500)</b>
<b>Yes, 15,000 BTUs</b>	Yes, 15,000 BTUs	<b>Yes, 20,000 BTUs</b>
<b>Yes, 15,000 BTUs (Side Burner)</b>	<b>Yes, 15,000 BTUs (Sear Burner)</b>	Yes, 15,000 BTUs (Sear Burner)
<b>70,500 (built-in model 52,500)</b>	<b>84,000</b>	<b>102,500 (built-in model 82,500)</b>
<b>673 sq. in.</b>	<b>753 sq. in.</b>	<b>990 sq. in.</b>
<b>92</b>	<b>110</b>	<b>104</b>

<b>300 True Stainless Steel</b>	300 True Stainless Steel	300 True Stainless Steel
Yes	Yes	Yes
Yes	Yes	Yes
<b>300 True Stainless Steel</b>	300 True Stainless Steel	300 True Stainless Steel
<b>Yes</b>	Yes	Yes
<b>Yes</b>	Yes	Yes
—	<b>Yes</b>	Yes
—	<b>Yes (300 True Stainless Steel)</b>	Yes (300 True Stainless Steel, freestanding model only)
<b>Yes (300 True Stainless Steel, freestanding model only)</b>	Yes (300 True Stainless Steel)	Yes (300 True Stainless Steel, freestanding model only)
<b>French (300 True Stainless Steel standard with freestanding, built-in optional)</b>	French (300 True Stainless Steel)	French (300 True Stainless Steel standard with freestanding; built-in optional)
Optional	Optional	Optional
Optional	Optional	Optional
Optional	Optional	Optional
—	<b>Yes</b>	Yes

\*Based on 2012 mid-size grill category, 300 Series.

# GRILL DIMENSIONS



Model	TRIBUTE		SIGNATURE		
	223	323	323	423	523
<b>A. Depth</b> (measured from front to back at top of cart)	23.7"	23.7"	24.5"	24.5"	24.5"
<b>B. Depth</b> (measured from front of lid to back including handle)	22.4"	22.4"	23.5"	23.5"	23.5"
<b>C. Depth</b> (measured from front to back at bottom of cart)	25.0"	25.0"	23.6"	23.6"	23.6"
<b>D. Width</b> (measured from side to side at bottom of cart)	25.0"	25.0"	26.4"	29.4"	38.4"
<b>E. Depth</b> (measured from front to back of side shelf)	19.5"	19.5"	24.6"	24.6"	24.6"
<b>F. Side Shelf Width</b>	11.5"	11.5"	15.1"	15.1"	15.1"
<b>G. Lid Height</b>	13.3"	13.3"	13.3"	13.3"	13.3"
<b>H. Grill Height</b> (including casters)	48.5"	48.5"	49.6"	49.6"	49.6"

Model	323 Built-In*	523 Built-In*
<b>Firebox Depth</b>	29"	24"
<b>Firebox Height</b>	9.375"	9.375"
<b>Firebox Width</b>	31.5"	43.5"
<b>Side Burner Depth</b>	18.25"	18.25"
<b>Side Burner Height</b>	10"	10"
<b>Side Burner Width</b>	12.625"	12.625"
<b>Door Height</b>	18.75"	18.75"
<b>Door Width</b>	28.75"	28.75"

\*Built-in dimensions provided are framing dimensions to non-combustible materials. Please see owner's manual for exact installation measurements and instructions.

# CUSTOMIZE WITH ACCESSORIES

Be sure to check out our available accessories. From stovetop burners to searing burners, you'll be able to customize your grill to suit your needs.



## 15,000 BTU Side Burner

For those who love to cook everything outdoors, this side burner provides stove-top cooking right at the grill. Only available for 523 and 423 Signature Series cart models and 523 and 323 built-in models. Standard on 323 Signature Series models; Sear Burner optional.



## Smoker Box

This accessory is for those who want more flavor out of their grills. Get the unforgettable smoky flavor using our smoker box. Its indirect cooking method adds flavor to fish, steak, ribs, chicken and more using wood chips like hickory or mesquite for best-tasting results.



## Griddle

Breakfast, anyone? The griddle accessory makes it easy to cook foods like pancakes or bacon.



## Rotisserie Kit

Available as an accessory for our 323 Tribute Series\*, the Rotisserie Kit includes the rotisserie motor and hexagon rod, specially designed to easily handle foods like large turkeys. The counter balance on the rotisserie keeps the rotation consistent to improve cooking performance.



## Grill Cover

For premium protection, this special cover is designed to protect the grill from the elements, year round. Ventilation allows moisture to escape, which helps prevent mildew.



## 5-Piece Tool Set

Made with the same fine craftsmanship as our grills, this tool set gives you everything you need in one convenient carrying case.

\*Rotisserie Kit standard on Signature Series Grills.



**VermontCastings.com**

Your Vermont Castings Dealer:

FPO  
for FSC  
certification  
mark

To avoid personal injury or property damage, the product described by this brochure must be installed, operated and maintained in strict compliance with the instructions packaged with the product and all applicable building or fire codes. Contact local building or fire officials about restrictions and installation inspection requirements. All photographs and drawings on this brochure are for illustrative purposes only and are not intended for, nor should they be used as a substitute for, the instructions packaged with the unit. Appearance and specifications of the product are subject to change without notice. © 2013 Vermont Castings Group 11498 0113